



# TAOGLAS®



# Datasheet

Low Profile and High Efficiency 915 MHz ISM Band Loop Antenna

**Part No:**  
ILA.01

**Description:**

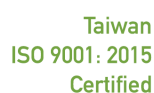
915 MHz ISM Band Loop Antenna

**Features:**

Small size antenna, low profile, and high efficiency  
915 MHz ISM Band  
1 dBi Peak Gain  
10 x 3.2 x 0.5 mm size  
SMT Compatible  
RoHS & REACH Compliant

1. Introduction	3
2. Specifications	4
3. Antenna Characteristics	5
4. Radiation Patterns	8
5. Mechanical Drawing – Antenna	10
6. Mechanical Drawing – Evaluation Board	12
7. Soldering Conditions	13
8. Packaging	14
<hr/>	
9. Changelog	16

Taoglas makes no warranties based on the accuracy or completeness of the contents of this document and reserves the right to make changes to specifications and product descriptions at any time without notice. Taoglas reserves all rights to this document and the information contained herein. Reproduction, use or disclosure to third parties without express permission is strictly prohibited.



# 1. Introduction



The ILA.01 is a 915 MHz ISM band antenna with excellent efficiency, 60% at the center frequency and 45% at the band edges. This antenna works the best when placed at the center of the board edge. The antenna, at 10 x 3.2 x 0.5 mm, is low profile and would be suitable for devices with space constraints. The ILA.01 is delivered on tape and reel and now allows M2M customers to use an omni-directional SMT antenna. The omni-directional radiation characteristics allow for excellent performance regardless of device orientation. This is especially useful for devices that are not fixed in one particular spot during use. When there is little PCB space available for antenna placement, but high performance is required, the ILA.01 is the ideal choice.

For further optimization to customer-specific device environments and for support to integrate and test this antenna's performance in your device, contact your regional Taoglas Customer Services Team.

## Applications:

Automated Meter Reading (AMR)

Radio Frequency Identification (RFID)

Remote Monitoring

Healthcare

Sensing

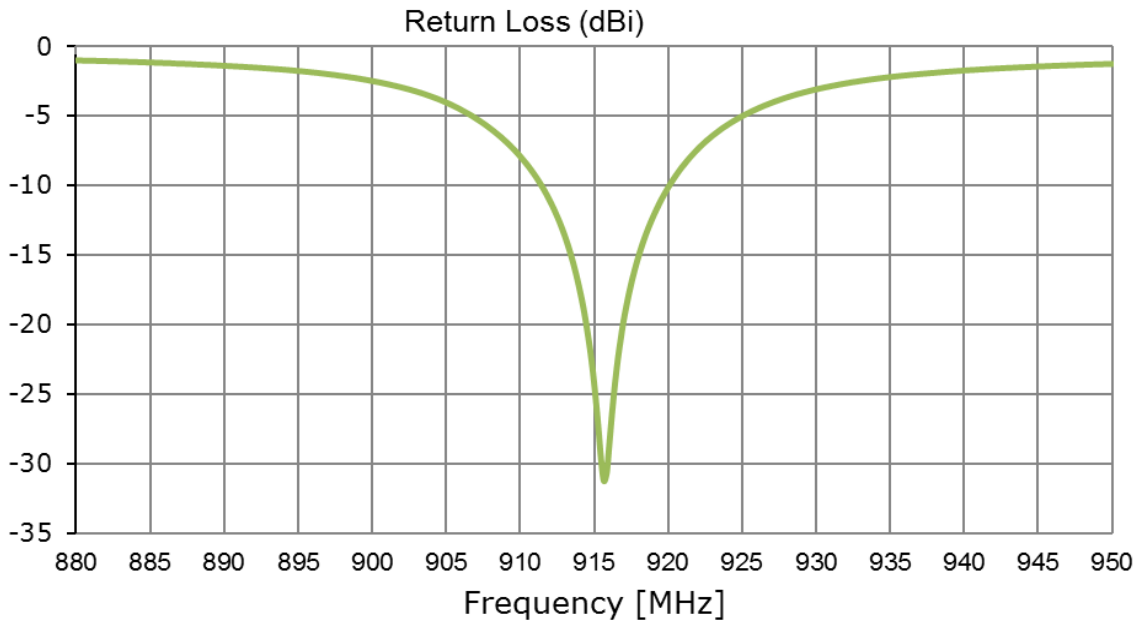
915 MHz Applications

## 2. Specifications

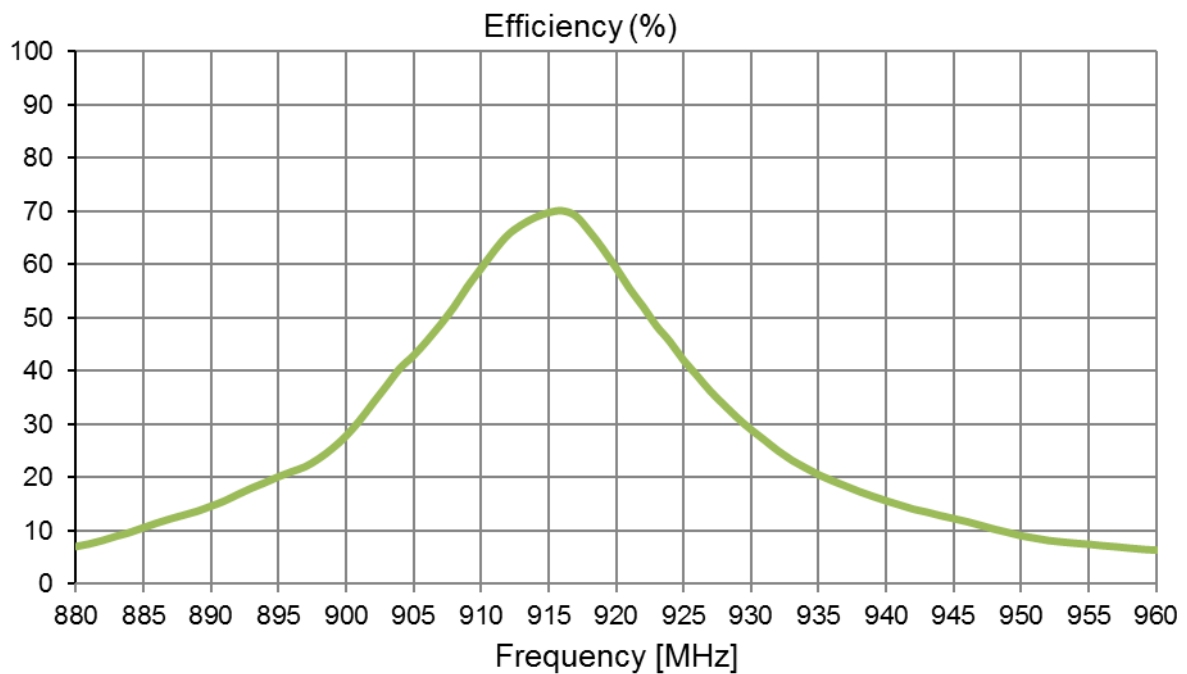
Antenna	
Frequency (MHz)	902-928 MHz (ISM)
Efficiency (%)	
80 x 40 mm Ground Plane	50 (typical)
Average Gain (dB)	
80 x 40 mm Ground Plane	-5 dB
Peak Gain (dBi)	
80 x 40 mm Ground Plane	1.5 dBi
Max Return Loss (dB)	-2.8 dB
VSWR	6:1
Impedance ( $\Omega$ )	50 $\Omega$
Polarization	Linear
Radiation Pattern	Omni
Input Power(W)	5
Mechanical	
Dimensions (mm)	10 x 3.2 x 0.5
Required Space (mm)	11 x 10.4
Material	Ceramic
EVB Connector	SMA(F)
Environmental	
Temperature Range	-40°C to 85°C
Storage Temperature	-40°C to 105°C
Humidity	40% to 95%
Moisture Sensitivity Level	3 (168 Hours)

### 3. Antenna Characteristics

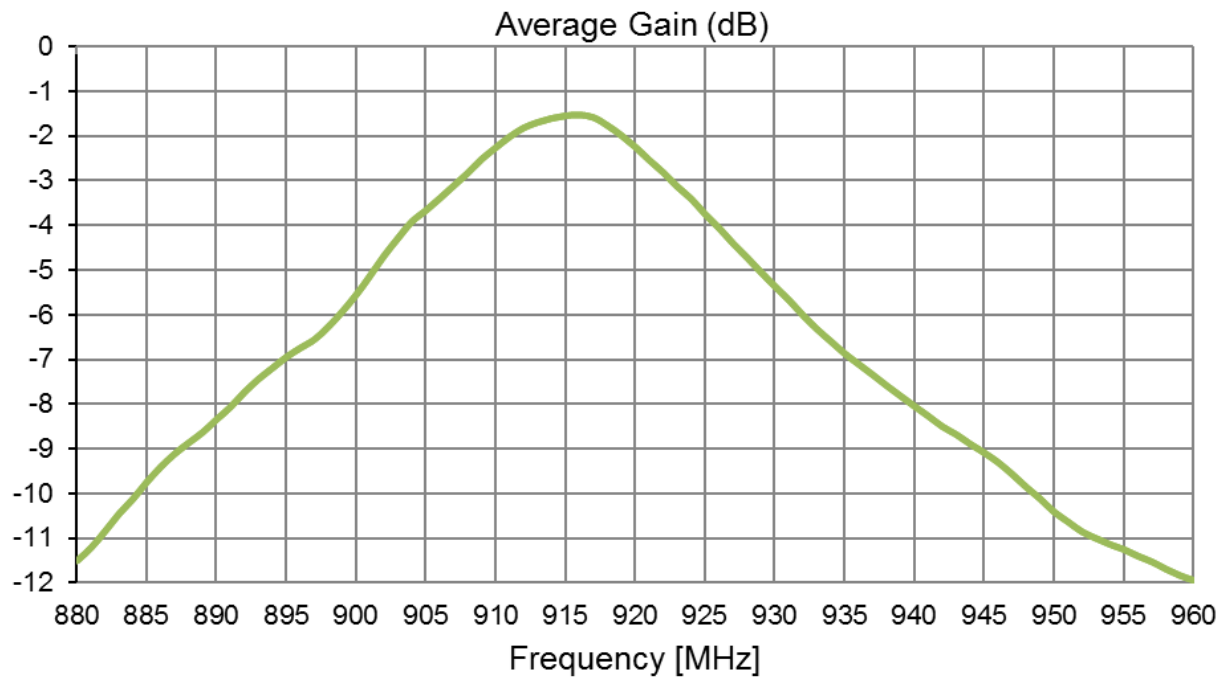
#### 3.1 Return Loss



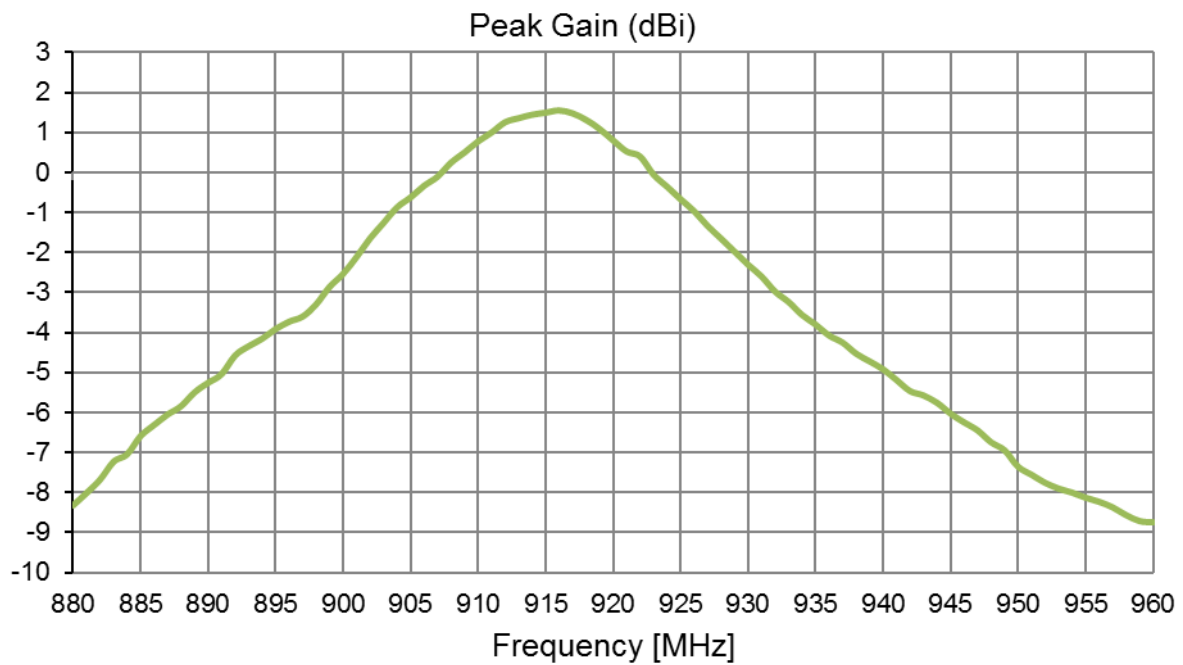
#### 3.2 Efficiency



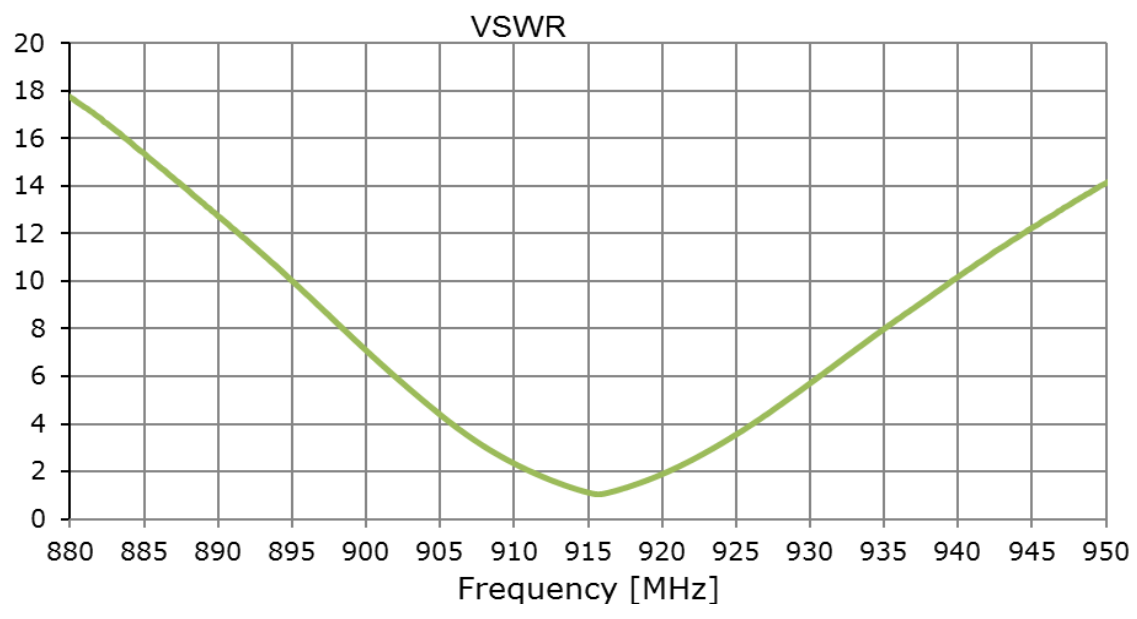
### 3.3 Average Gain



### 3.4 Peak Gain

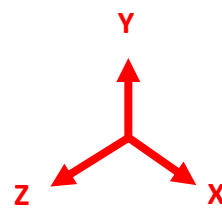
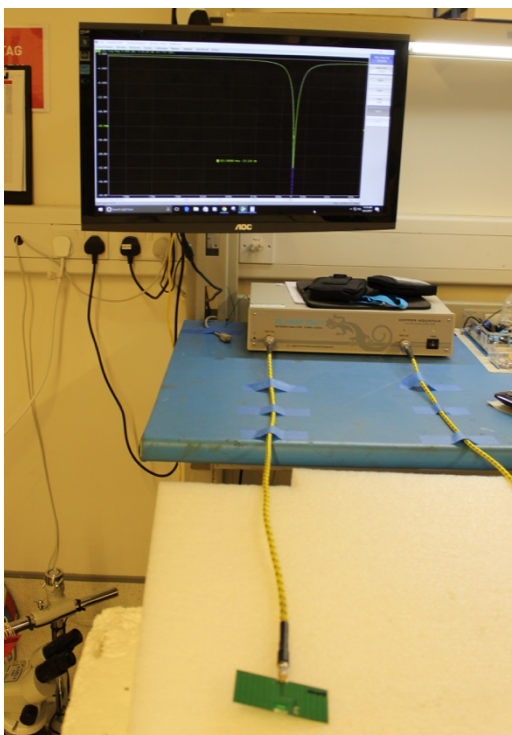
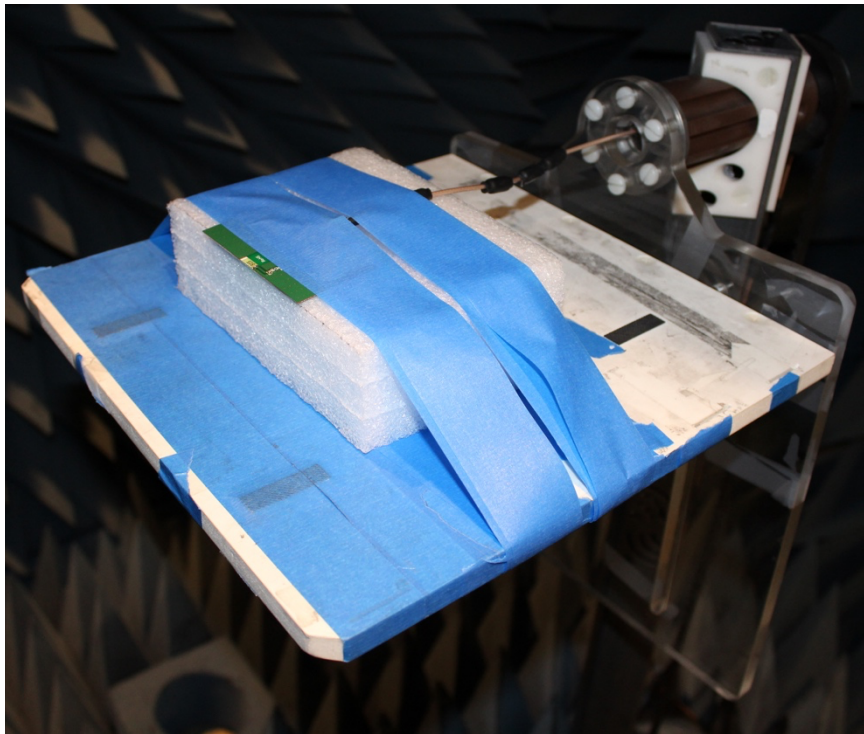


### 3.5 VSWR



## 4. Radiation Patterns

### 4.1 Test Setup – Antenna on Evaluation Board

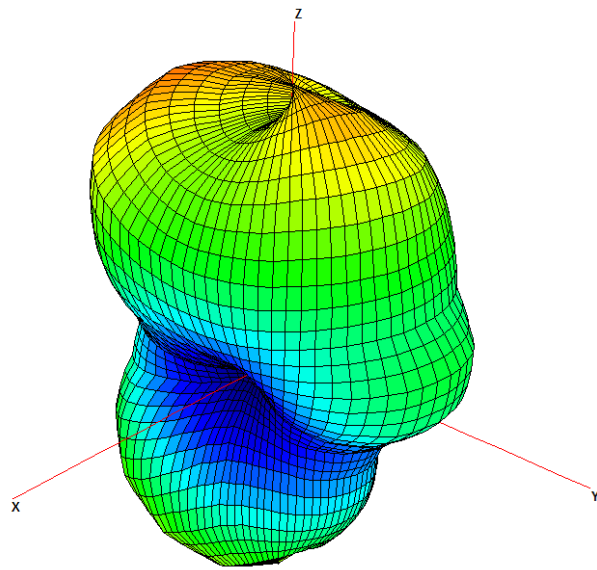




### 4.3 3D Radiation Pattern

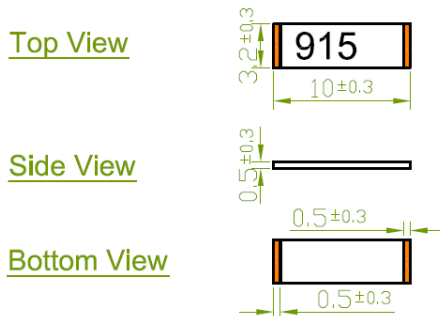
915MHz

Azimuth = 113.6  
Elevation = -34.3  
Roll = -54.5



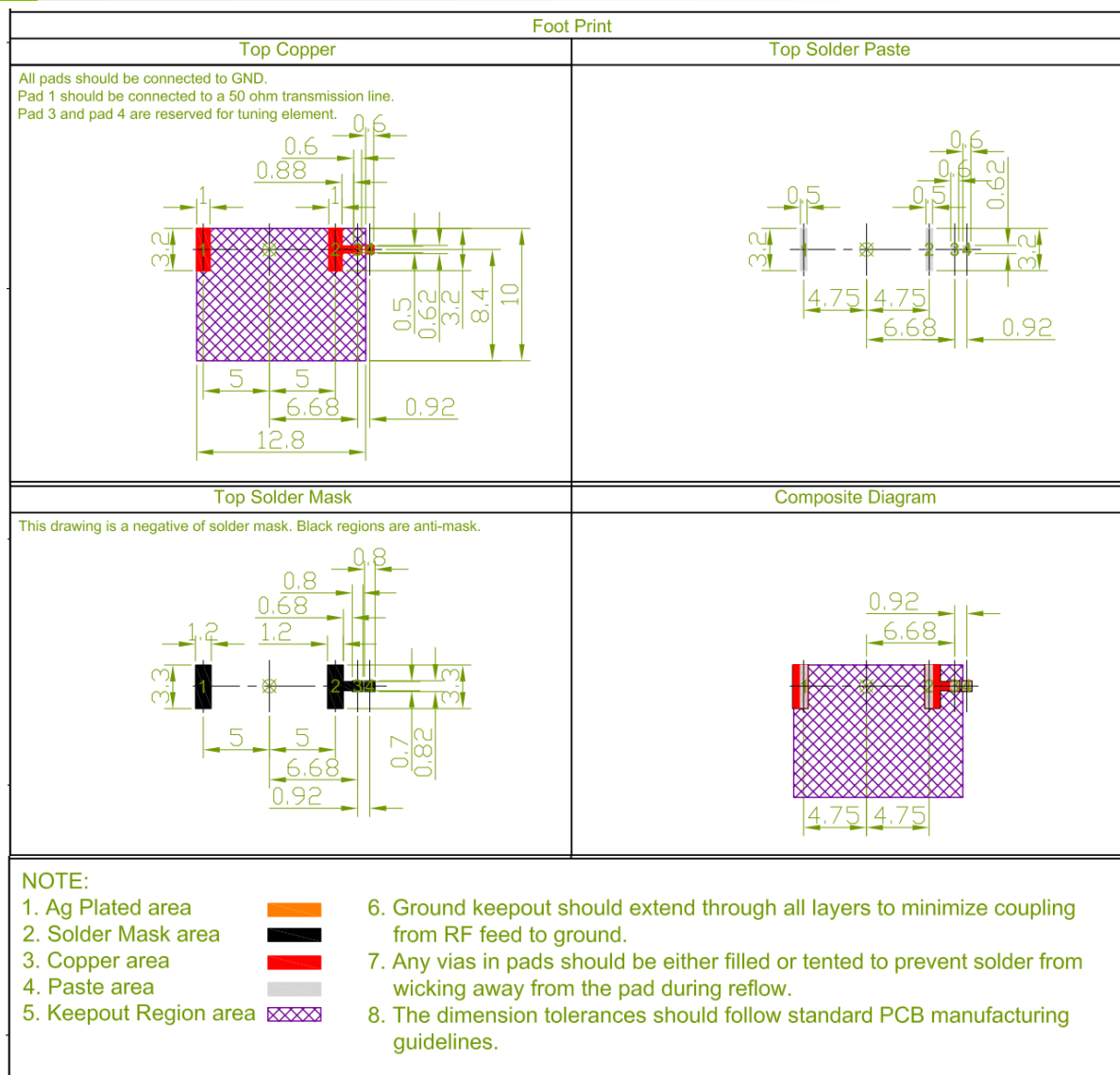
# 5. Mechanical Drawing – Antenna

## 5.1 Antenna Dimension and Drawing



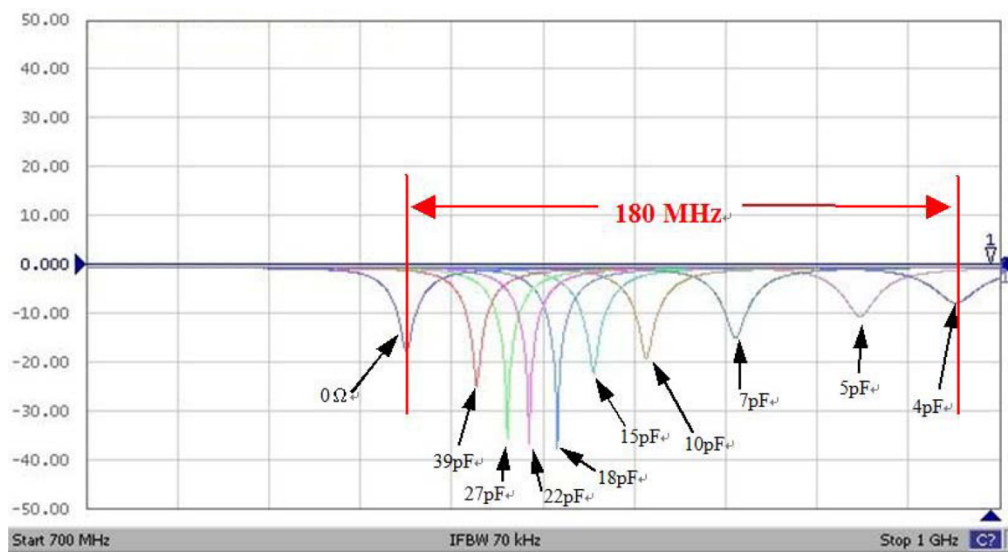
Unit: mm

## 5.2 Antenna Footprint

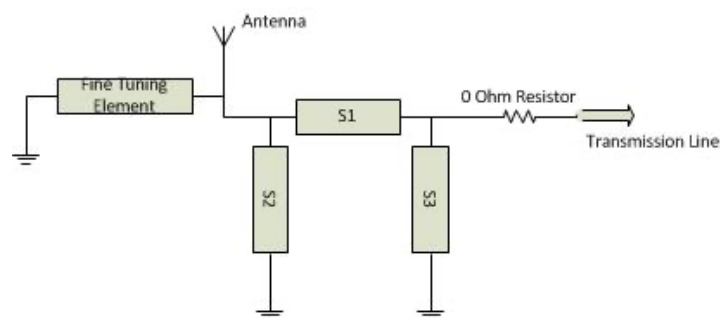


\*Taoglas is able to provide CAD drawing file to customers for evaluation.

## 5.2 Matching Circuit

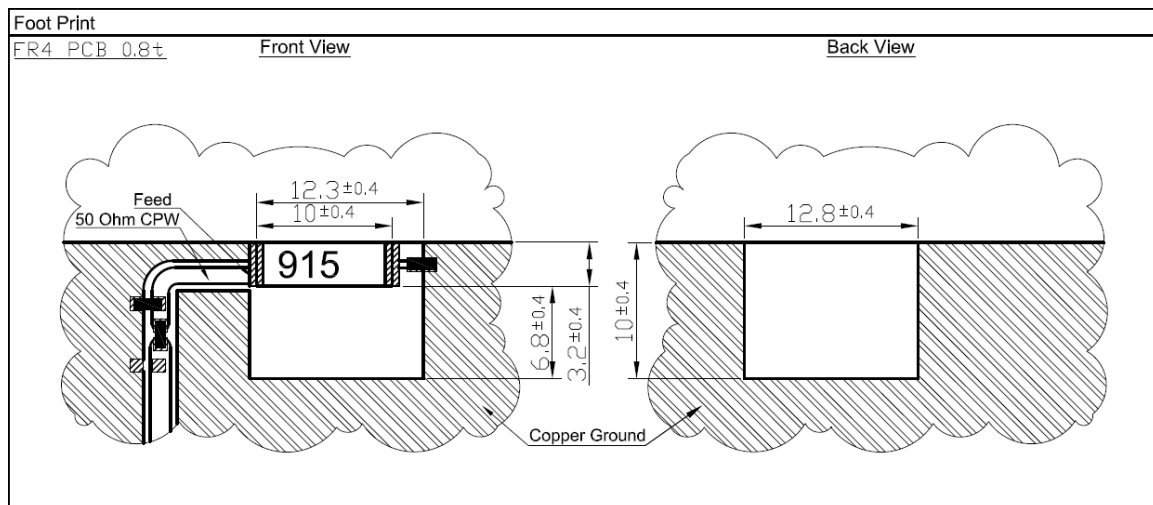
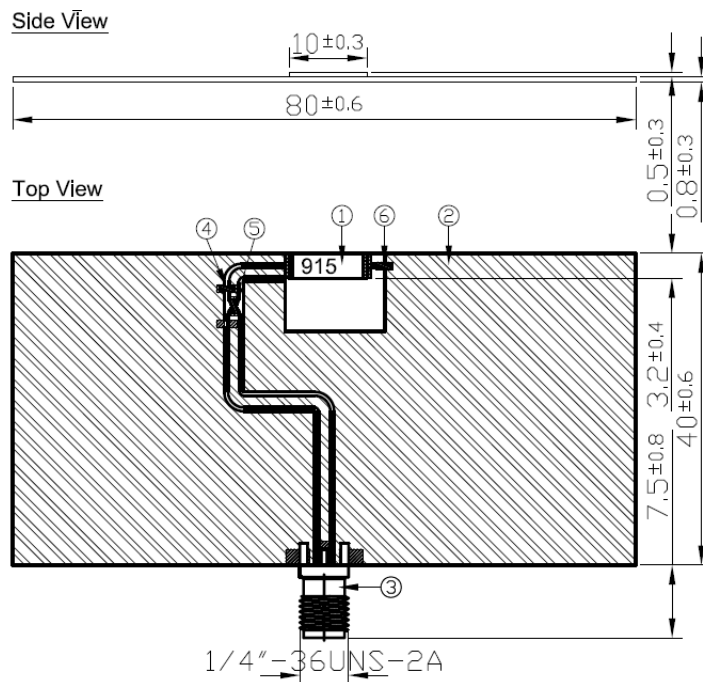


This antenna includes a fine-tuning element (as shown in the land patterns above) that can be used to slightly shift antenna resonance.



Like all antennas, surrounding components, enclosures, and changes to the GND plane dimensions can alter performance. A pi-matching network like the one shown below is required in case adjustments need to be made. The antenna EVB has a similar matching network. The components on the EVB are a good starting point for a new design but will need to be adjusted upon integration for best performance. The zero-ohm resistor is needed for the ability to solder down a coax pigtail to make measurements with a vector network analyzer.

## 6. Mechanical Drawing – Evaluation Board



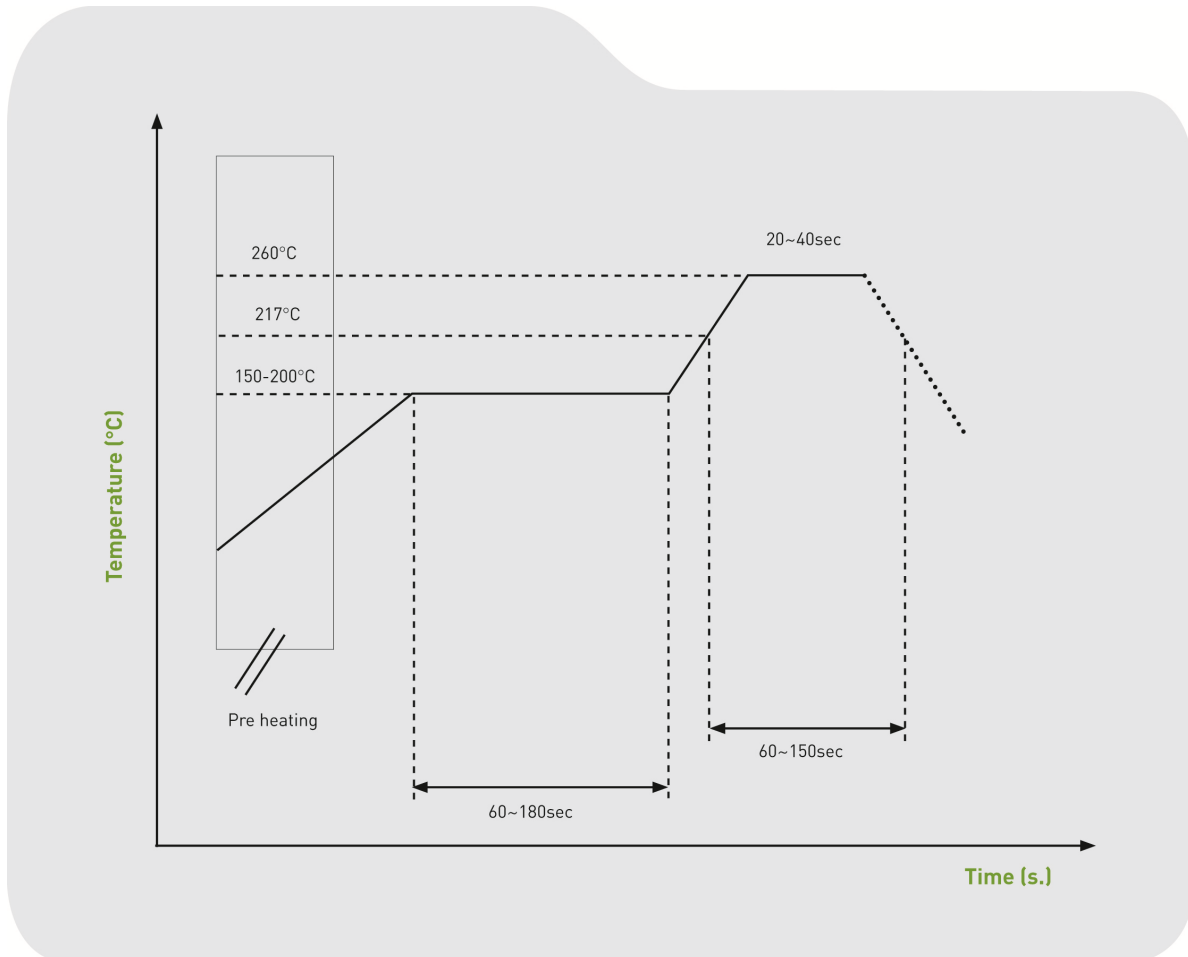
### NOTES:

1. Solder Area
2. Logo & Text Ink Printing : Black
3. Copper
4. Matching Component
5. Component 6 is the tuning element of this antenna.  $\varnothing_{0.3}$

	Name	P/N	Material	Finish	QTY
1	ILA.01 Antenna	001513F000012A	Ceramic	N/A	1
2	ILA.01 EVB Board	100213F000012A	FR4 0.8t	Green	1
3	SMA(F) ST	200413F000012A	Brass	Gold	1
4	Capacitor 4.3pF (0402)	001514F020012A	Ceramic	N/A	1
5	Resistor 0Ω (0402)	001511J010012A	Ceramic	N/A	1
6	Capacitor 10pF (0402)	001514F010012A	Ceramic	N/A	1

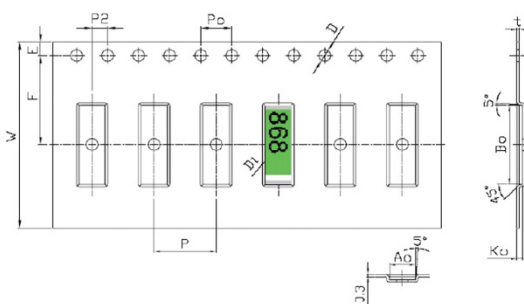
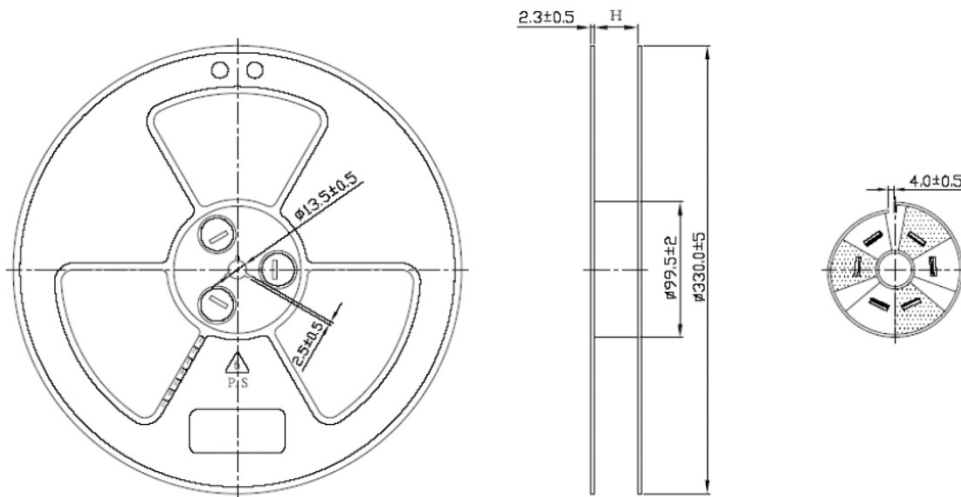
## 7. Soldering Conditions

Typical Soldering profile for lead-free process:



# 9. Packaging

6000 pcs ILA.01 reel  
 Dimensions - 420\*380mm  
 Weight -1050g



Tape Dimensions(unit: mm)

Feature	Specifications	Tolerances
W	24.00	$\pm 0.30$
P	8.00	$\pm 0.10$
E	1.75	$\pm 0.10$
F	11.50	$\pm 0.10$
P2	2.00	$\pm 0.10$
D	1.50	+0.10 0.00
D1	1.50	$\pm 0.10$
Po	4.00	$\pm 0.10$
10Po	40.00	$\pm 0.20$

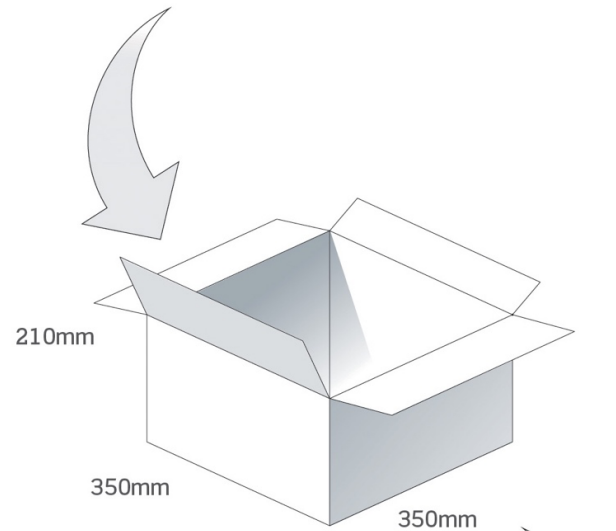
Pocket Dimensions(unit: mm)

Feature	Specifications	Tolerances
Ao	3.40	$\pm 0.10$
Bo	10.20	$\pm 0.10$
Ko	0.70	$\pm 0.10$
t	0.30	$\pm 0.05$

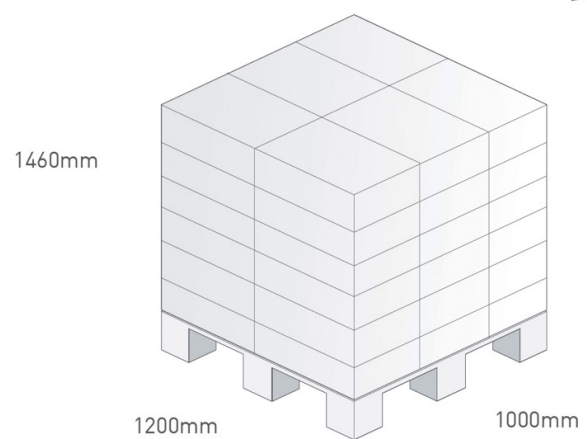
6000 pcs ILA.01 reel  
Dimensions - 420\*380mm  
Weight -1050g



6 reels, 36000pcs  
in one carton  
Carton Dimensions - 350\*350\*210mm  
Weight - 7.1Kg



Pallet Dimensions 1200\*1000\*1460mm  
36 Cartons per Pallet  
6 Cartons per layer  
6 Layers



Changelog for the datasheet

**SPE-12-8-079 – ILA.01**

<b>Revision: G (Current Version)</b>	
Date:	2021-10-28
Changes:	Format Change, MSL
Changes Made by:	Erik Landi

**Previous Revisions**

<b>Revision: F</b>	
Date:	2017-10-23
Changes:	Packing drawing updated
Changes Made by:	Carol Faughnan

<b>Revision: A (Original First Release)</b>	
Date:	2012-05-08
Notes:	Initial Release
Author:	STAFF

<b>Revision: E</b>	
Date:	2017-04-21
Changes:	
Changes Made by:	STAFF

<b>Revision: D</b>	
Date:	2016-09-12
Changes:	
Changes Made by:	STAFF

<b>Revision: C</b>	
Date:	2014-08-19
Changes:	EVB & Footprint
Changes Made by:	AINE DOYLE

<b>Revision: B</b>	
Date:	2012-06-27
Changes:	
Changes Made by:	STAFF





**TAOGLAS**®

[www.taoglas.com](http://www.taoglas.com)

