

# MC14516B

## Binary Up/Down Counter

The MC14516B synchronous up/down binary counter is constructed with MOS P-channel and N-channel enhancement mode devices in a monolithic structure.

This counter can be preset by applying the desired value, in binary, to the Preset inputs (P0, P1, P2, P3) and then bringing the Preset Enable (PE) high. The direction of counting is controlled by applying a high (for up counting) or a low (for down counting) to the UP/DOWN input. The state of the counter changes on the positive transition of the clock input.

Cascading can be accomplished by connecting the  $\overline{\text{Carry Out}}$  to the  $\overline{\text{Carry In}}$  of the next stage while clocking each counter in parallel. The outputs (Q0, Q1, Q2, Q3) can be reset to a low state by applying a high to the reset (R) pin.

This CMOS counter finds primary use in up/down and difference counting. Other applications include: (1) Frequency synthesizer applications where low power dissipation and/or high noise immunity is desired, (2) Analog-to-Digital and Digital-to-Analog conversions, and (3) Magnitude and sign generation.

### Features

- Diode Protection on All Inputs
- Supply Voltage Range = 3.0 Vdc to 18 Vdc
- Internally Synchronous for High Speed
- Logic Edge-Clocked Design — Count Occurs on Positive Going Edge of Clock
- Single Pin Reset
- Asynchronous Preset Enable Operation
- Capable of Driving Two Low-Power TTL Loads or One Low-Power Schottky Load Over the Rated Temperature Range
- These Devices are Pb-Free and are RoHS Compliant
- NLV Prefix for Automotive and Other Applications Requiring Unique Site and Control Change Requirements; AEC-Q100 Qualified and PPAP Capable

### MAXIMUM RATINGS (Voltages Referenced to $V_{SS}$ )

| Parameter   | Symbol            | Value                     | Unit |
|---|-------------------|---------------------------|------|
| DC Supply Voltage Range                           | $V_{DD}$          | -0.5 to +18.0             | V    |
| Input or Output Voltage Range (DC or Transient)   | $V_{in}, V_{out}$ | -0.5 to $V_{DD}$<br>+ 0.5 | V    |
| Input or Output Current (DC or Transient) per Pin | $I_{in}, I_{out}$ | $\pm 10$                  | mA   |
| Power Dissipation, per Package (Note 1)           | $P_D$             | 500                       | mW   |
| Ambient Temperature Range                         | $T_A$             | -55 to +125               | °C   |
| Storage Temperature Range                         | $T_{stg}$         | -65 to +150               | °C   |
| Lead Temperature (8-Second Soldering)             | $T_L$             | 260                       | °C   |

Stresses exceeding Maximum Ratings may damage the device. Maximum Ratings are stress ratings only. Functional operation above the Recommended Operating Conditions is not implied. Extended exposure to stresses above the Recommended Operating Conditions may affect device reliability.

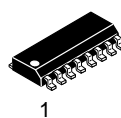
1. Temperature Derating: Plastic "DW" Packages:  
- 7.0 mW/°C From 65°C To 125°C



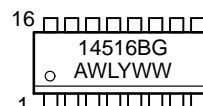
ON Semiconductor®

<http://onsemi.com>

### MARKING DIAGRAM



SOIC-16  
D SUFFIX  
CASE 751B



A = Assembly Location  
WL = Wafer Lot  
Y = Year  
WW = Work Week  
G = Pb-Free Package

### ORDERING INFORMATION

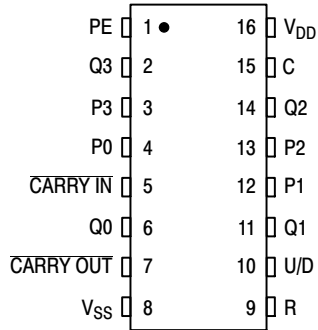
See detailed ordering and shipping information in the package dimensions section on page 2 of this data sheet.

This device contains protection circuitry to guard against damage due to high static voltages or electric fields. However, precautions must be taken to avoid applications of any voltage higher than maximum rated voltages to this high-impedance circuit. For proper operation,  $V_{in}$  and  $V_{out}$  should be constrained to the range  $V_{SS} \leq (V_{in} \text{ or } V_{out}) \leq V_{DD}$ .

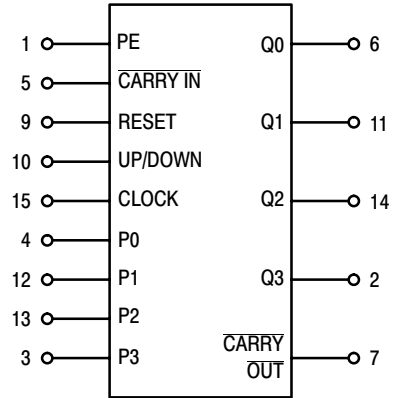
Unused inputs must always be tied to an appropriate logic voltage level (e.g., either  $V_{SS}$  or  $V_{DD}$ ). Unused outputs must be left open.

# MC14516B

## PIN ASSIGNMENT



## BLOCK DIAGRAM



V<sub>DD</sub> = PIN 16  
V<sub>SS</sub> = PIN 8

## TRUTH TABLE

| Carry In | Up/Down | Preset Enable | Reset | Clock | Action     |
|----------|---------|---------------|-------|-------|------------|
| 1        | X       | 0             | 0     | X     | No Count   |
| 0        | 1       | 0             | 0     | ↗     | Count Up   |
| 0        | 0       | 0             | 0     | ↘     | Count Down |
| X        | X       | 1             | 0     | X     | Preset     |
| X        | X       | X             | 1     | X     | Reset      |

X = Don't Care

NOTE: When counting up, the  $\overline{\text{Carry Out}}$  signal is normally high and is low only when Q0 through Q3 are high and  $\overline{\text{Carry In}}$  is low. When counting down,  $\overline{\text{Carry Out}}$  is low only when Q0 through Q3 and  $\overline{\text{Carry In}}$  are low.

## ORDERING INFORMATION

| Device         | Package              | Shipping†          |
|----------------|----------------------|--------------------|
| MC14516BDG     | SOIC-16<br>(Pb-Free) | 48 Units / Rail    |
| MC14516BDR2G   | SOIC-16<br>(Pb-Free) | 2500 / Tape & Reel |
| NLV14516BDR2G* |                      |                    |

†For information on tape and reel specifications, including part orientation and tape sizes, please refer to our Tape and Reel Packaging Specifications Brochure, BRD8011/D.

\*NLV Prefix for Automotive and Other Applications Requiring Unique Site and Control Change Requirements; AEC-Q100 Qualified and PPAP Capable.

# MC14516B

## ELECTRICAL CHARACTERISTICS (Voltages Referenced to V<sub>SS</sub>)

| Characteristic   | Symbol                                | V <sub>DD</sub><br>Vdc | - 55° C  |       | 25° C |                 |       | 125° C |       | Unit |
|--|---------------------------------------|------------------------|--|-------|-------|-----------------|-------|--------|-------|------|
|  |                                       |                        | Min  | Max   | Min   | Typ<br>(Note 2) | Max   | Min    | Max   |      |
| Output Voltage<br>V <sub>in</sub> = V <sub>DD</sub> or 0<br><br>V <sub>in</sub> = 0 or V <sub>DD</sub>   | "0" Level<br><br>V <sub>OL</sub>      | 5.0                    | -  | 0.05  | -     | 0               | 0.05  | -      | 0.05  | Vdc  |
|  |                                       | 10                     | -  | 0.05  | -     | 0               | 0.05  | -      | 0.05  |      |
|  |                                       | 15                     | -  | 0.05  | -     | 0               | 0.05  | -      | 0.05  |      |
|  | "1" Level<br><br>V <sub>OH</sub>      | 5.0                    | 4.95   | -     | 4.95  | 5.0             | -     | 4.95   | -     | Vdc  |
|  |                                       | 10                     | 9.95   | -     | 9.95  | 10              | -     | 9.95   | -     |      |
|  |                                       | 15                     | 14.95  | -     | 14.95 | 15              | -     | 14.95  | -     |      |
| Input Voltage<br>(V <sub>O</sub> = 4.5 or 0.5 Vdc)<br>(V <sub>O</sub> = 9.0 or 1.0 Vdc)<br>(V <sub>O</sub> = 13.5 or 1.5 Vdc)<br><br>(V <sub>O</sub> = 0.5 or 4.5 Vdc)<br>(V <sub>O</sub> = 1.0 or 9.0 Vdc)<br>(V <sub>O</sub> = 1.5 or 13.5 Vdc)  | "0" Level<br><br>V <sub>IL</sub>      | 5.0                    | -  | 1.5   | -     | 2.25            | 1.5   | -      | 1.5   | Vdc  |
|  |                                       | 10                     | -  | 3.0   | -     | 4.50            | 3.0   | -      | 3.0   |      |
|  |                                       | 15                     | -  | 4.0   | -     | 6.75            | 4.0   | -      | 4.0   |      |
|  | "1" Level<br><br>V <sub>IH</sub>      | 5.0                    | 3.5  | -     | 3.5   | 2.75            | -     | 3.5    | -     | Vdc  |
|  |                                       | 10                     | 7.0  | -     | 7.0   | 5.50            | -     | 7.0    | -     |      |
|  |                                       | 15                     | 11   | -     | 11    | 8.25            | -     | 11     | -     |      |
| Output Drive Current<br>(V <sub>OH</sub> = 2.5 Vdc)<br>(V <sub>OH</sub> = 4.6 Vdc)<br>(V <sub>OH</sub> = 9.5 Vdc)<br>(V <sub>OH</sub> = 13.5 Vdc)<br><br>(V <sub>OL</sub> = 0.4 Vdc)<br>(V <sub>OL</sub> = 0.5 Vdc)<br>(V <sub>OL</sub> = 1.5 Vdc) | Source<br><br><br><br>I <sub>OH</sub> | 5.0                    | -3.0   | -     | -2.4  | -4.2            | -     | -1.7   | -     | mAdc |
|  |                                       | 5.0                    | -0.64  | -     | -0.51 | -0.88           | -     | -0.36  | -     |      |
|  |                                       | 10                     | -1.6   | -     | -1.3  | -2.25           | -     | -0.9   | -     |      |
|  |                                       | 15                     | -4.2   | -     | -3.4  | -8.8            | -     | -2.4   | -     |      |
|  | Sink<br><br><br><br>I <sub>OL</sub>   | 5.0                    | 0.64   | -     | 0.51  | 0.88            | -     | 0.36   | -     | mAdc |
|  |                                       | 10                     | 1.6  | -     | 1.3   | 2.25            | -     | 0.9    | -     |      |
| 15   |                                       | 4.2                    | -  | 3.4   | 8.8   | -               | 2.4   | -      |       |      |
| Input Current  | I <sub>in</sub>                       | 15                     | -  | ± 0.1 | -     | ± 0.00001       | ± 0.1 | -      | ± 1.0 | μAdc |
| Input Capacitance (V <sub>in</sub> = 0)  | C <sub>in</sub>                       | -                      | -  | -     | -     | 5.0             | 7.5   | -      | -     | pF   |
| Quiescent Current (Per Package)  | I <sub>DD</sub>                       | 5.0                    | -  | 5.0   | -     | 0.005           | 5.0   | -      | 150   | μAdc |
|  |                                       | 10                     | -  | 10    | -     | 0.010           | 10    | -      | 300   |      |
|  |                                       | 15                     | -  | 20    | -     | 0.015           | 20    | -      | 600   |      |
| Total Supply Current (Note 3, 4)<br>(Dynamic plus Quiescent,<br>Per Package)<br>(C <sub>L</sub> = 50 pF on all outputs, all<br>buffers switching)  | I <sub>T</sub>                        | 5.0                    | I <sub>T</sub> = (0.58 μA/kHz) f + I <sub>DD</sub> |       |       |                 |       |        |       | μAdc |
|  |                                       | 10                     | I <sub>T</sub> = (1.20 μA/kHz) f + I <sub>DD</sub> |       |       |                 |       |        |       |      |
|  |                                       | 15                     | I <sub>T</sub> = (1.70 μA/kHz) f + I <sub>DD</sub> |       |       |                 |       |        |       |      |

2. Data labelled "Typ" is not to be used for design purposes but is intended as an indication of the IC's potential performance.
3. The formulas given are for the typical characteristics only at 25° C.
4. To calculate total supply current at loads other than 50 pF: I<sub>T</sub>(C<sub>L</sub>) = I<sub>T</sub>(50 pF) + (C<sub>L</sub> - 50) Vfk where: I<sub>T</sub> is in μA (per package), C<sub>L</sub> in pF, V = (V<sub>DD</sub> - V<sub>SS</sub>) in volts, f in kHz is input frequency, and k = 0.001.

# MC14516B

## SWITCHING CHARACTERISTICS (Note 5) ( $C_L = 50 \text{ pF}$ , $T_A = 25^\circ\text{C}$ )

| Characteristic   | Symbol                   | $V_{DD}$        | All Types         |                    |                    | Unit          |
|--|--------------------------|-----------------|-------------------|--------------------|--------------------|---------------|
|  |                          |                 | Min               | Typ (Note 6)       | Max                |               |
| Output Rise and Fall Time<br>$t_{TLH}$ , $t_{THL} = (1.5 \text{ ns/pF}) C_L + 25 \text{ ns}$<br>$t_{TLH}$ , $t_{THL} = (0.75 \text{ ns/pF}) C_L + 12.5 \text{ ns}$<br>$t_{TLH}$ , $t_{THL} = (0.55 \text{ ns/pF}) C_L + 9.5 \text{ ns}$  | $t_{TLH}$ ,<br>$t_{THL}$ | 5.0<br>10<br>15 | –<br>–<br>–       | 100<br>50<br>40    | 200<br>100<br>80   | ns            |
| Propagation Delay Time<br>Clock to Q<br>$t_{PLH}$ , $t_{PHL} = (1.7 \text{ ns/pF}) C_L + 230 \text{ ns}$<br>$t_{PLH}$ , $t_{PHL} = (0.66 \text{ ns/pF}) C_L + 97 \text{ ns}$<br>$t_{PLH}$ , $t_{PHL} = (0.5 \text{ ns/pF}) C_L + 75 \text{ ns}$<br><br>Clock to $\overline{\text{Carry Out}}$<br>$t_{PLH}$ , $t_{PHL} = (1.7 \text{ ns/pF}) C_L + 230 \text{ ns}$<br>$t_{PLH}$ , $t_{PHL} = (0.66 \text{ ns/pF}) C_L + 97 \text{ ns}$<br>$t_{PLH}$ , $t_{PHL} = (0.5 \text{ ns/pF}) C_L + 75 \text{ ns}$<br><br>$\overline{\text{Carry In}}$ to $\overline{\text{Carry Out}}$<br>$t_{PLH}$ , $t_{PHL} = (1.7 \text{ ns/pF}) C_L + 230 \text{ ns}$<br>$t_{PLH}$ , $t_{PHL} = (0.66 \text{ ns/pF}) C_L + 97 \text{ ns}$<br>$t_{PLH}$ , $t_{PHL} = (0.5 \text{ ns/pF}) C_L + 75 \text{ ns}$<br><br>Preset or Reset to Q<br>$t_{PLH}$ , $t_{PHL} = (1.7 \text{ ns/pF}) C_L + 230 \text{ ns}$<br>$t_{PLH}$ , $t_{PHL} = (0.66 \text{ ns/pF}) C_L + 97 \text{ ns}$<br>$t_{PLH}$ , $t_{PHL} = (0.5 \text{ ns/pF}) C_L + 75 \text{ ns}$<br><br>Preset or Reset to $\overline{\text{Carry Out}}$<br>$t_{PLH}$ , $t_{PHL} = (1.7 \text{ ns/pF}) C_L + 465 \text{ ns}$<br>$t_{PLH}$ , $t_{PHL} = (0.66 \text{ ns/pF}) C_L + 192 \text{ ns}$<br>$t_{PLH}$ , $t_{PHL} = (0.5 \text{ ns/pF}) C_L + 125 \text{ ns}$ | $t_{PLH}$ ,<br>$t_{PHL}$ | 5.0<br>10<br>15 | –<br>–<br>–       | 315<br>130<br>100  | 630<br>260<br>200  | ns            |
|  | $t_{PLH}$ ,<br>$t_{PHL}$ | 5.0<br>10<br>15 | –<br>–<br>–       | 315<br>130<br>100  | 630<br>260<br>200  | ns            |
|  | $t_{PLH}$ ,<br>$t_{PHL}$ | 5.0<br>10<br>15 | –<br>–<br>–       | 180<br>80<br>60    | 360<br>160<br>120  | ns            |
|  | $t_{PLH}$ ,<br>$t_{PHL}$ | 5.0<br>10<br>15 | –<br>–<br>–       | 315<br>130<br>100  | 630<br>360<br>200  | ns            |
|  | $t_{PLH}$ ,<br>$t_{PHL}$ | 5.0<br>10<br>15 | –<br>–<br>–       | 550<br>225<br>150  | 1100<br>450<br>300 | ns            |
| Reset Pulse Width  | $t_w$                    | 5.0<br>10<br>15 | 380<br>200<br>160 | 190<br>100<br>80   | –<br>–<br>–        | ns            |
| Clock Pulse Width  | $t_{WH}$                 | 5.0<br>10<br>15 | 350<br>170<br>140 | 200<br>100<br>75   | –<br>–<br>–        | ns            |
| Clock Pulse Frequency  | $f_{cl}$                 | 5.0<br>10<br>15 | –<br>–<br>–       | 3.0<br>6.0<br>8.0  | 1.5<br>3.0<br>4.0  | MHz           |
| Preset or Reset Removal Time<br>The Preset or Reset signal must be low prior to a positive-going transition of the clock.  | $t_{rem}$                | 5.0<br>10<br>15 | 650<br>230<br>180 | 325<br>115<br>90   | –<br>–<br>–        | ns            |
| Clock Rise and Fall Time   | $t_{TLH}$ ,<br>$t_{THL}$ | 5.0<br>10<br>15 | –<br>–<br>–       | –<br>–<br>–        | 15<br>5<br>4       | $\mu\text{s}$ |
| Setup Time<br>Carry In to Clock  | $t_{su}$                 | 5.0<br>10<br>15 | 260<br>120<br>100 | 130<br>60<br>50    | –<br>–<br>–        | ns            |
| Hold Time<br>Clock to $\overline{\text{Carry In}}$   | $t_h$                    | 5.0<br>10<br>15 | 0<br>20<br>20     | –60<br>–20<br>0    | –<br>–<br>–        | ns            |
| Setup Time<br>Up/Down to Clock   | $t_{su}$                 | 5.0<br>10<br>15 | 500<br>200<br>150 | 250<br>100<br>75   | –<br>–<br>–        | ns            |
| Hold Time<br>Clock to Up/Down  | $t_h$                    | 5.0<br>10<br>15 | –70<br>–10<br>0   | –160<br>–60<br>–40 | –<br>–<br>–        | ns            |
| Setup Time<br>Pn to PE   | $t_{su}$                 | 5.0<br>10<br>15 | –40<br>–30<br>–25 | –120<br>–70<br>–50 | –<br>–<br>–        | ns            |
| Hold Time<br>PE to Pn  | $t_h$                    | 5.0<br>10<br>15 | 480<br>420<br>420 | 240<br>210<br>210  | –<br>–<br>–        | ns            |
| Preset Enable Pulse Width  | $t_{WH}$                 | 5.0<br>10<br>15 | 200<br>100<br>80  | 100<br>50<br>40    | –<br>–<br>–        | ns            |

5. The formulas given are for the typical characteristics only at  $25^\circ\text{C}$ .

6. Data labelled "Typ" is not to be used for design purposes but is intended as an Indication of the IC's potential performance.

# MC14516B

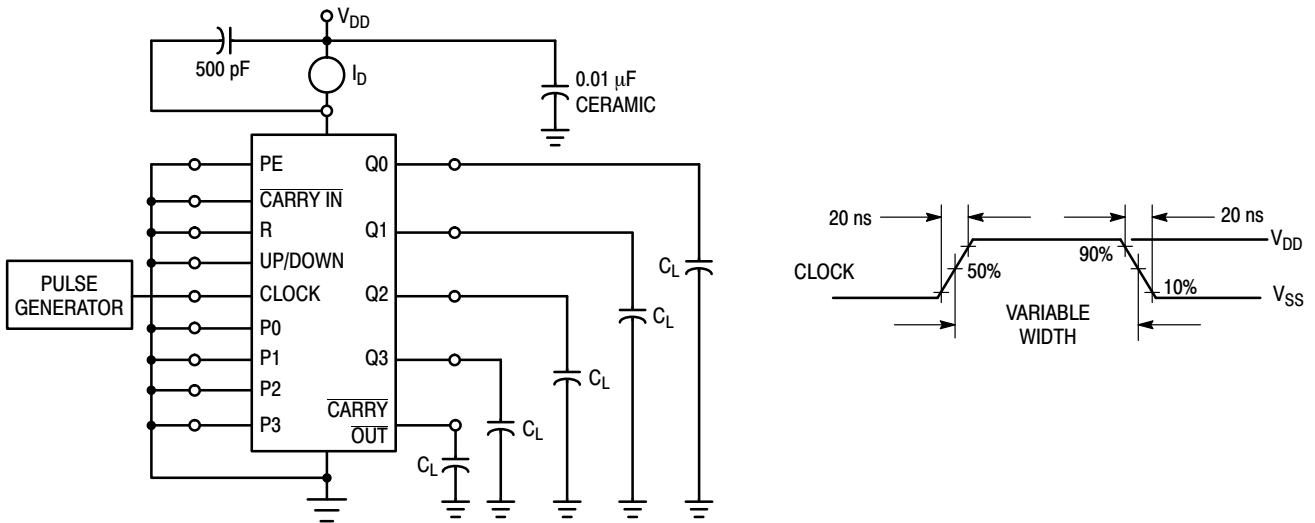
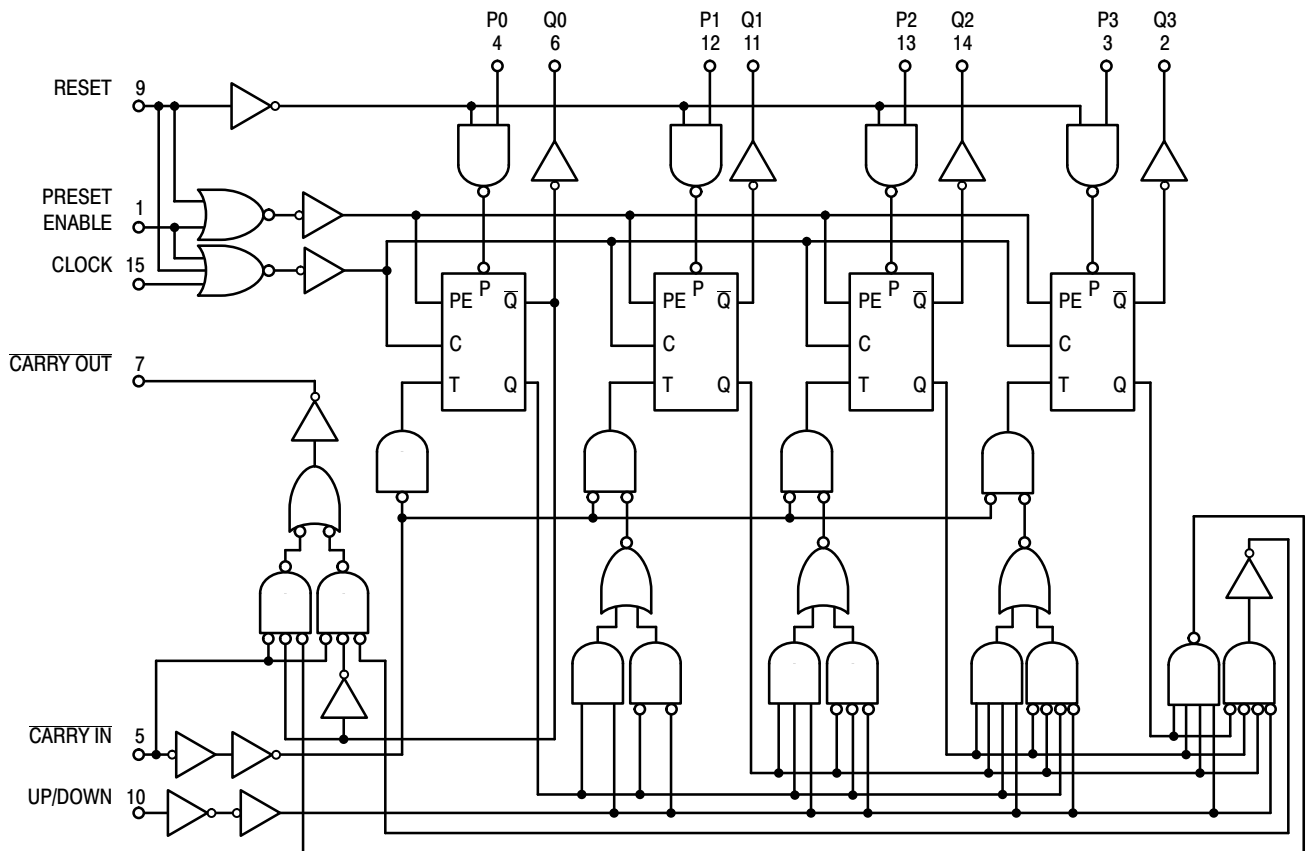


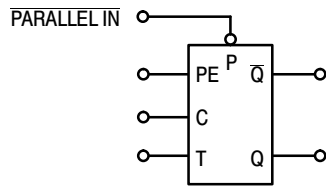
Figure 1. Power Dissipation Test Circuit and Waveform

## LOGIC DIAGRAM



# MC14516B

## TOGGLE FLIP-FLOP



## FLIP-FLOP FUNCTIONAL TRUTH TABLE

| Preset Enable | Clock | T | $Q_{n+1}$   |
|---------------|-------|---|-------------|
| 1             | X     | X | Parallel In |
| 0             |       | 0 | $Q_n$       |
| 0             |       | 1 | $\bar{Q}_n$ |
| 0             |       | X | $Q_n$       |

X = Don't Care

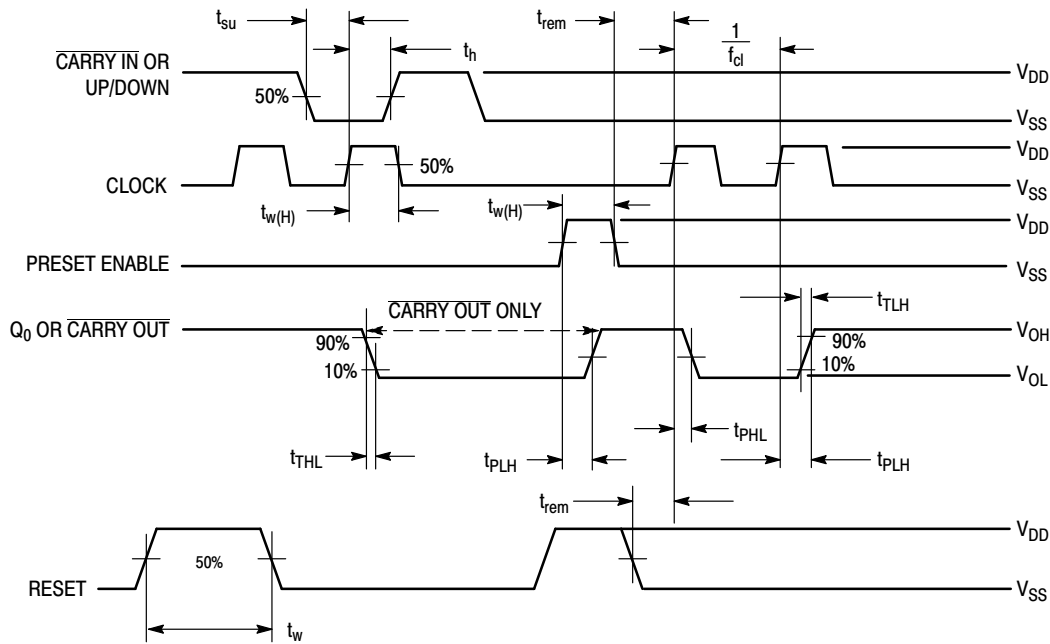


Figure 2. Switching Time Waveforms

## PIN DESCRIPTIONS

### INPUTS

**P0, P1, P2, P3, Preset Inputs (Pins 4, 12, 13, 3)** — Data on these inputs is loaded into the counter when PE is taken high.

**Carry In, (Pin 5)** — This active-low input is used when Cascading stages. Carry In is usually connected to Carry Out of the previous stage. While high, Clock is inhibited.

**Clock, (Pin 15)** — Binary data is incremented or decremented, depending on the direction of count, on the positive transition of this input.

### OUTPUTS

**Q0, Q1, Q2, Q3, Binary outputs (Pins 6, 11, 14, 2)** — Binary data is present on these outputs with Q0 corresponding to the least significant bit.

**Carry Out, (Pin 7)** — Used when cascading stages, Carry Out is usually connected to Carry In of the next stage. This synchronous output is active low and may also be used to indicate terminal count.

### CONTROLS

**PE, Preset Enable, (Pin 1)** — Asynchronously loads data on the Preset Inputs. This pin is active high and inhibits the clock when high.

**R, Reset, (Pin 9)** — Asynchronously resets the Q outputs to a low state. This pin is active high and inhibits the clock when high.

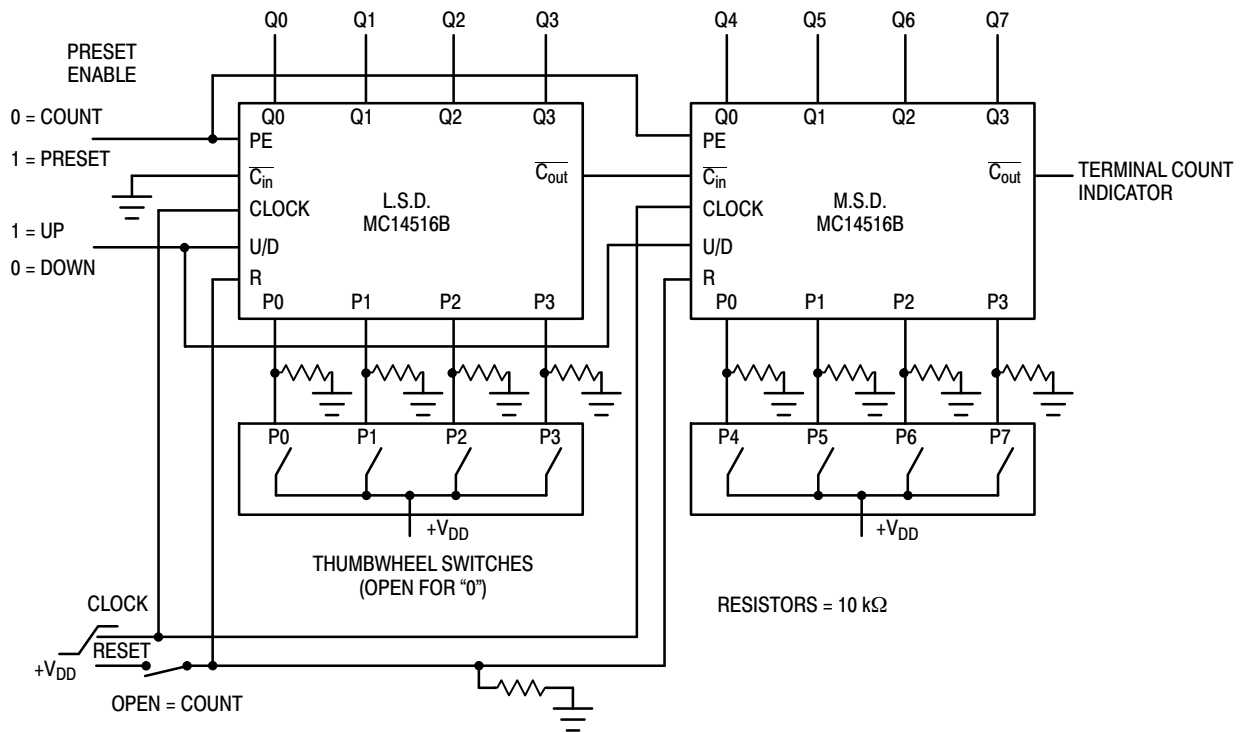
**Up/Down, (Pin 10)** — Controls the direction of count, high for up count, low for down count.

### SUPPLY PINS

**VSS, Negative Supply Voltage, (Pin 8)** — This pin is usually connected to ground.

**VDD, Positive Supply Voltage, (Pin 16)** — This pin is connected to a positive supply voltage ranging from 3.0 V to 18 V.

# MC14516B

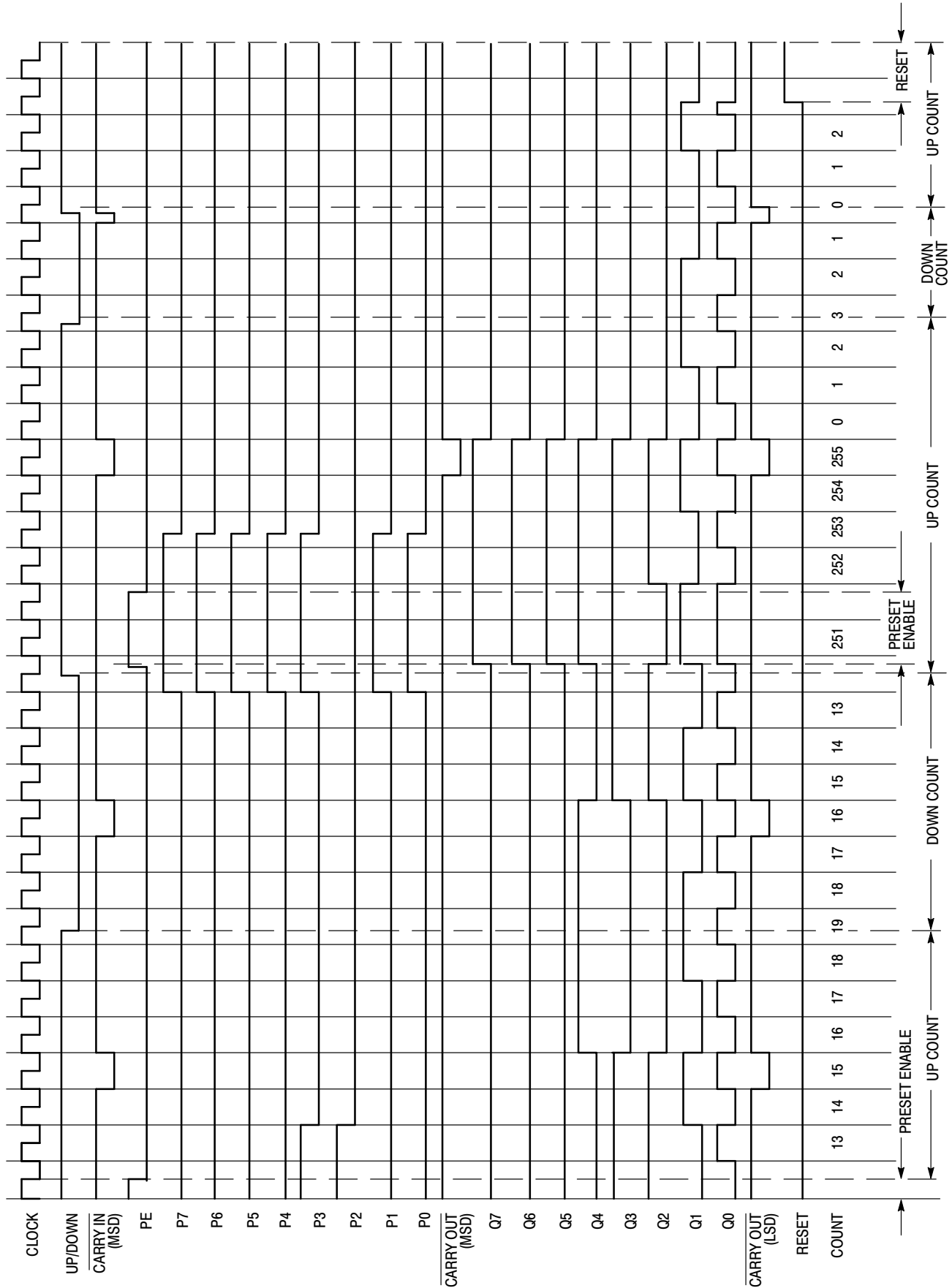


NOTE: The Least Significant Digit (L.S.D.) counts from a preset value once Preset Enable (PE) goes low. The Most Significant Digit (M.S.D.) is disabled while  $\overline{C}_{in}$  is high. When the count of the L.S.D. reaches 0 (count down mode) or reaches 15 (count up mode),  $\overline{C}_{out}$  goes low for one complete clock cycle, thus allowing the next counter to decrement/increment one count. (See Timing Diagram) The L.S.D. now counts through another cycle (15 clock pulses) and the above cycle is repeated.

Figure 3. Presettable Cascaded 8-Bit Up/Down Counter

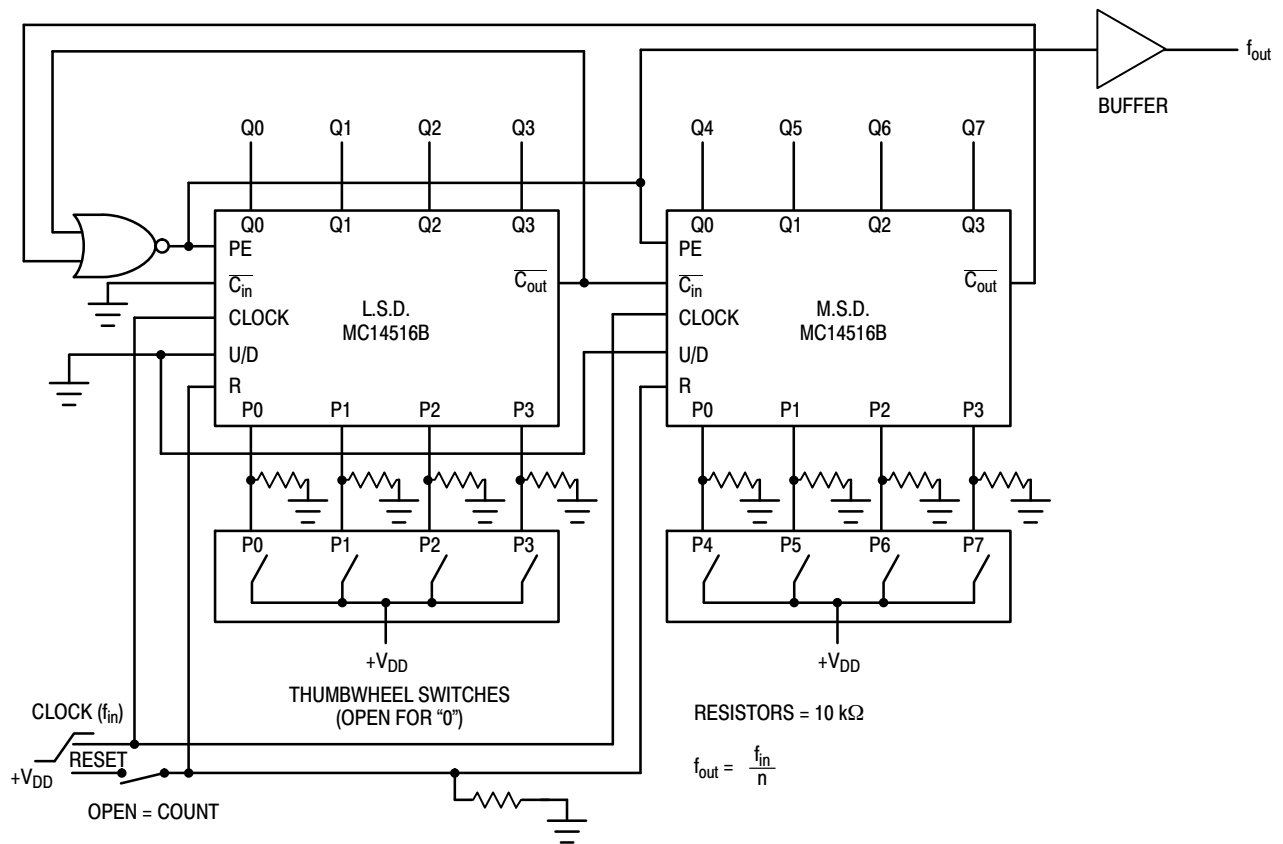
# MC14516B

## TIMING DIAGRAM FOR THE PRESETTABLE CASCADED 8-BIT UP/DOWN COUNTER





# MC14516B



NOTE: The programmable frequency divider can be set by applying the desired divide ratio, in binary, to the preset inputs. For example, the maximum divide ratio of 255 may be obtained by applying a 1111 1111 to the preset inputs P0 to P7. For this divide operation, both counters should be configured in the count down mode. The divide ratio of zero is an undefined state and should be avoided.

Figure 4. Programmable Cascaded Frequency Divider

# MECHANICAL CASE OUTLINE PACKAGE DIMENSIONS

ON Semiconductor®



SCALE 1:1

## SOIC-16 CASE 751B-05 ISSUE K

DATE 29 DEC 2006



NOTES:

1. DIMENSIONING AND TOLERANCING PER ANSI Y14.5M, 1982.
2. CONTROLLING DIMENSION: MILLIMETER.
3. DIMENSIONS A AND B DO NOT INCLUDE MOLD PROTRUSION.
4. MAXIMUM MOLD PROTRUSION 0.15 (0.006) PER SIDE.
5. DIMENSION D DOES NOT INCLUDE DAMBAR PROTRUSION. ALLOWABLE DAMBAR PROTRUSION SHALL BE 0.127 (0.005) TOTAL IN EXCESS OF THE D DIMENSION AT MAXIMUM MATERIAL CONDITION.

| DIM | MILLIMETERS |       | INCHES    |       |
|-----|-------------|-------|-----------|-------|
|     | MIN         | MAX   | MIN       | MAX   |
| A   | 9.80        | 10.00 | 0.386     | 0.393 |
| B   | 3.80        | 4.00  | 0.150     | 0.157 |
| C   | 1.35        | 1.75  | 0.054     | 0.068 |
| D   | 0.35        | 0.49  | 0.014     | 0.019 |
| F   | 0.40        | 1.25  | 0.016     | 0.049 |
| G   | 1.27 BSC    |       | 0.050 BSC |       |
| J   | 0.19        | 0.25  | 0.008     | 0.009 |
| K   | 0.10        | 0.25  | 0.004     | 0.009 |
| M   | 0°          | 7°    | 0°        | 7°    |
| P   | 5.80        | 6.20  | 0.229     | 0.244 |
| R   | 0.25        | 0.50  | 0.010     | 0.019 |

- |  |  |  |  |
|--|--|--|--|
| <p>STYLE 1:</p> <p>PIN 1. COLLECTOR</p> <p>2. BASE</p> <p>3. EMITTER</p> <p>4. NO CONNECTION</p> <p>5. EMITTER</p> <p>6. BASE</p> <p>7. COLLECTOR</p> <p>8. COLLECTOR</p> <p>9. BASE</p> <p>10. EMITTER</p> <p>11. NO CONNECTION</p> <p>12. EMITTER</p> <p>13. BASE</p> <p>14. COLLECTOR</p> <p>15. EMITTER</p> <p>16. COLLECTOR</p>                           | <p>STYLE 2:</p> <p>PIN 1. CATHODE</p> <p>2. ANODE</p> <p>3. NO CONNECTION</p> <p>4. CATHODE</p> <p>5. CATHODE</p> <p>6. NO CONNECTION</p> <p>7. ANODE</p> <p>8. CATHODE</p> <p>9. CATHODE</p> <p>10. ANODE</p> <p>11. NO CONNECTION</p> <p>12. CATHODE</p> <p>13. CATHODE</p> <p>14. NO CONNECTION</p> <p>15. ANODE</p> <p>16. CATHODE</p> | <p>STYLE 3:</p> <p>PIN 1. COLLECTOR, DYE #1</p> <p>2. BASE, #1</p> <p>3. EMITTER, #1</p> <p>4. COLLECTOR, #1</p> <p>5. COLLECTOR, #2</p> <p>6. BASE, #2</p> <p>7. EMITTER, #2</p> <p>8. COLLECTOR, #2</p> <p>9. COLLECTOR, #3</p> <p>10. BASE, #3</p> <p>11. EMITTER, #3</p> <p>12. COLLECTOR, #3</p> <p>13. COLLECTOR, #4</p> <p>14. BASE, #4</p> <p>15. EMITTER, #4</p> <p>16. COLLECTOR, #4</p>   | <p>STYLE 4:</p> <p>PIN 1. COLLECTOR, DYE #1</p> <p>2. COLLECTOR, #1</p> <p>3. COLLECTOR, #2</p> <p>4. COLLECTOR, #2</p> <p>5. COLLECTOR, #3</p> <p>6. COLLECTOR, #3</p> <p>7. COLLECTOR, #4</p> <p>8. COLLECTOR, #4</p> <p>9. BASE, #4</p> <p>10. EMITTER, #4</p> <p>11. BASE, #3</p> <p>12. EMITTER, #3</p> <p>13. BASE, #2</p> <p>14. EMITTER, #2</p> <p>15. BASE, #1</p> <p>16. EMITTER, #1</p> |
| <p>STYLE 5:</p> <p>PIN 1. DRAIN, DYE #1</p> <p>2. DRAIN, #1</p> <p>3. DRAIN, #2</p> <p>4. DRAIN, #2</p> <p>5. DRAIN, #3</p> <p>6. DRAIN, #3</p> <p>7. DRAIN, #4</p> <p>8. DRAIN, #4</p> <p>9. GATE, #4</p> <p>10. SOURCE, #4</p> <p>11. GATE, #3</p> <p>12. SOURCE, #3</p> <p>13. GATE, #2</p> <p>14. SOURCE, #2</p> <p>15. GATE, #1</p> <p>16. SOURCE, #1</p> | <p>STYLE 6:</p> <p>PIN 1. CATHODE</p> <p>2. CATHODE</p> <p>3. CATHODE</p> <p>4. CATHODE</p> <p>5. CATHODE</p> <p>6. CATHODE</p> <p>7. CATHODE</p> <p>8. CATHODE</p> <p>9. ANODE</p> <p>10. ANODE</p> <p>11. ANODE</p> <p>12. ANODE</p> <p>13. ANODE</p> <p>14. ANODE</p> <p>15. ANODE</p> <p>16. ANODE</p>                                 | <p>STYLE 7:</p> <p>PIN 1. SOURCE N-CH</p> <p>2. COMMON DRAIN (OUTPUT)</p> <p>3. COMMON DRAIN (OUTPUT)</p> <p>4. GATE P-CH</p> <p>5. COMMON DRAIN (OUTPUT)</p> <p>6. COMMON DRAIN (OUTPUT)</p> <p>7. COMMON DRAIN (OUTPUT)</p> <p>8. SOURCE P-CH</p> <p>9. SOURCE P-CH</p> <p>10. COMMON DRAIN (OUTPUT)</p> <p>11. COMMON DRAIN (OUTPUT)</p> <p>12. COMMON DRAIN (OUTPUT)</p> <p>13. GATE N-CH</p> <p>14. COMMON DRAIN (OUTPUT)</p> <p>15. COMMON DRAIN (OUTPUT)</p> <p>16. SOURCE N-CH</p> |  |

### SOLDERING FOOTPRINT



DIMENSIONS: MILLIMETERS

|                  |             |   |
|------------------|-------------|---|
| DOCUMENT NUMBER: | 98ASB42566B | Electronic versions are uncontrolled except when accessed directly from the Document Repository.<br>Printed versions are uncontrolled except when stamped "CONTROLLED COPY" in red. |
| DESCRIPTION:     | SOIC-16     | PAGE 1 OF 1   |

ON Semiconductor and are trademarks of Semiconductor Components Industries, LLC dba ON Semiconductor or its subsidiaries in the United States and/or other countries. ON Semiconductor reserves the right to make changes without further notice to any products herein. ON Semiconductor makes no warranty, representation or guarantee regarding the suitability of its products for any particular purpose, nor does ON Semiconductor assume any liability arising out of the application or use of any product or circuit, and specifically disclaims any and all liability, including without limitation special, consequential or incidental damages. ON Semiconductor does not convey any license under its patent rights nor the rights of others.

**onsemi**, **Onsemi**, and other names, marks, and brands are registered and/or common law trademarks of Semiconductor Components Industries, LLC dba "**onsemi**" or its affiliates and/or subsidiaries in the United States and/or other countries. **onsemi** owns the rights to a number of patents, trademarks, copyrights, trade secrets, and other intellectual property. A listing of **onsemi**'s product/patent coverage may be accessed at [www.onsemi.com/site/pdf/Patent-Marking.pdf](http://www.onsemi.com/site/pdf/Patent-Marking.pdf). **onsemi** reserves the right to make changes at any time to any products or information herein, without notice. The information herein is provided "as-is" and **onsemi** makes no warranty, representation or guarantee regarding the accuracy of the information, product features, availability, functionality, or suitability of its products for any particular purpose, nor does **onsemi** assume any liability arising out of the application or use of any product or circuit, and specifically disclaims any and all liability, including without limitation special, consequential or incidental damages. Buyer is responsible for its products and applications using **onsemi** products, including compliance with all laws, regulations and safety requirements or standards, regardless of any support or applications information provided by **onsemi**. "Typical" parameters which may be provided in **onsemi** data sheets and/or specifications can and do vary in different applications and actual performance may vary over time. All operating parameters, including "Typicals" must be validated for each customer application by customer's technical experts. **onsemi** does not convey any license under any of its intellectual property rights nor the rights of others. **onsemi** products are not designed, intended, or authorized for use as a critical component in life support systems or any FDA Class 3 medical devices or medical devices with a same or similar classification in a foreign jurisdiction or any devices intended for implantation in the human body. Should Buyer purchase or use **onsemi** products for any such unintended or unauthorized application, Buyer shall indemnify and hold **onsemi** and its officers, employees, subsidiaries, affiliates, and distributors harmless against all claims, costs, damages, and expenses, and reasonable attorney fees arising out of, directly or indirectly, any claim of personal injury or death associated with such unintended or unauthorized use, even if such claim alleges that **onsemi** was negligent regarding the design or manufacture of the part. **onsemi** is an Equal Opportunity/Affirmative Action Employer. This literature is subject to all applicable copyright laws and is not for resale in any manner.

## PUBLICATION ORDERING INFORMATION

### LITERATURE FULFILLMENT:

Email Requests to: [orderlit@onsemi.com](mailto:orderlit@onsemi.com)

**onsemi Website:** [www.onsemi.com](http://www.onsemi.com)

### TECHNICAL SUPPORT

**North American Technical Support:**

Voice Mail: 1 800-282-9855 Toll Free USA/Canada

Phone: 011 421 33 790 2910

**Europe, Middle East and Africa Technical Support:**

Phone: 00421 33 790 2910

For additional information, please contact your local Sales Representative