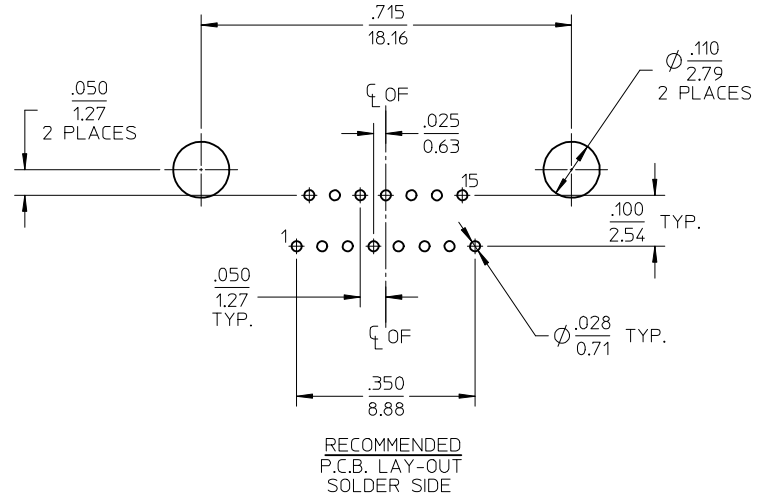
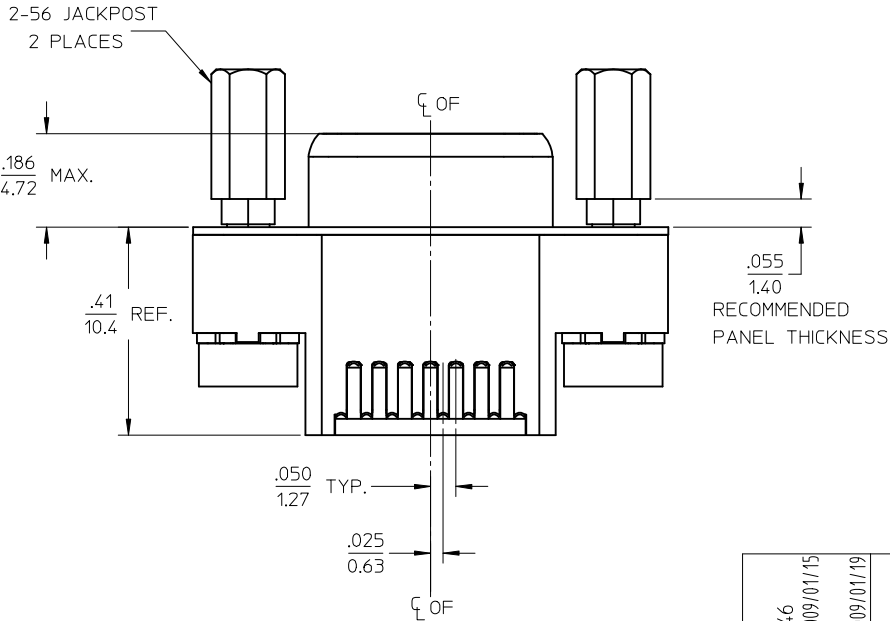
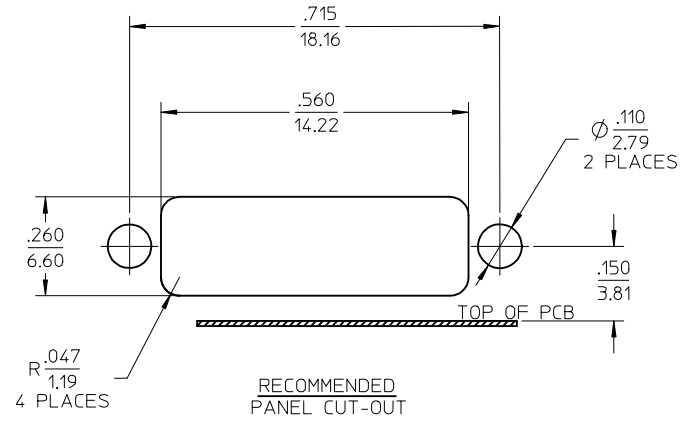
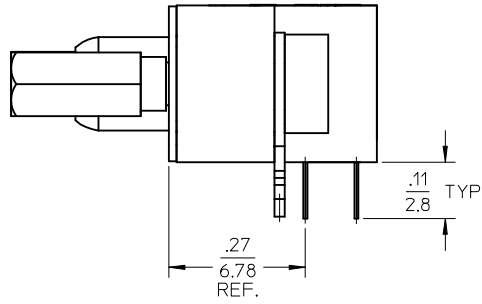
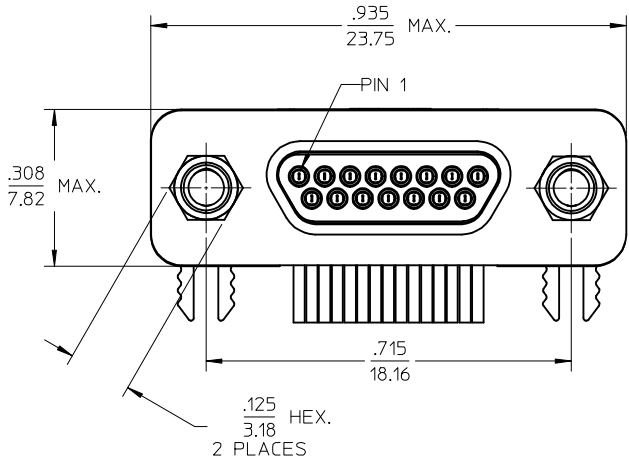


MATERIAL NO.	ENG. NO.
836129020	83612-9020

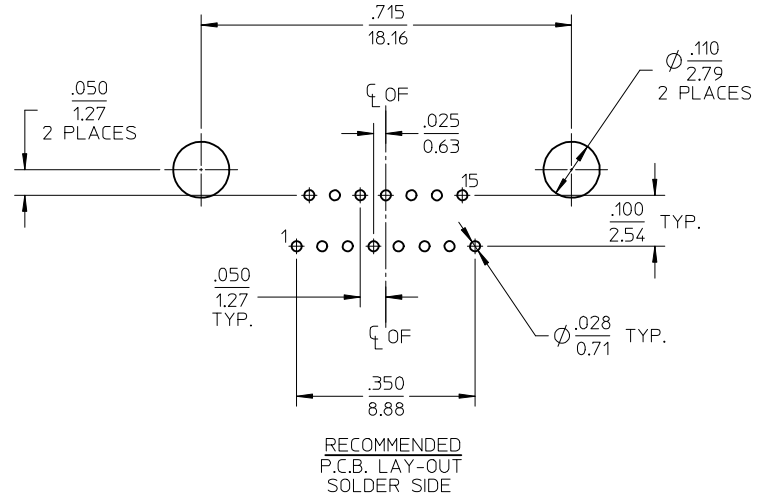
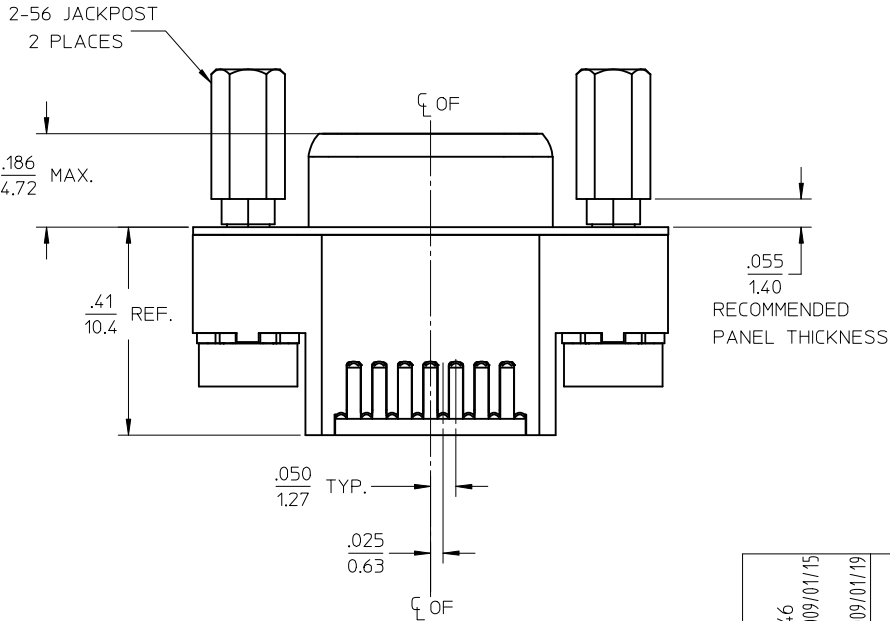
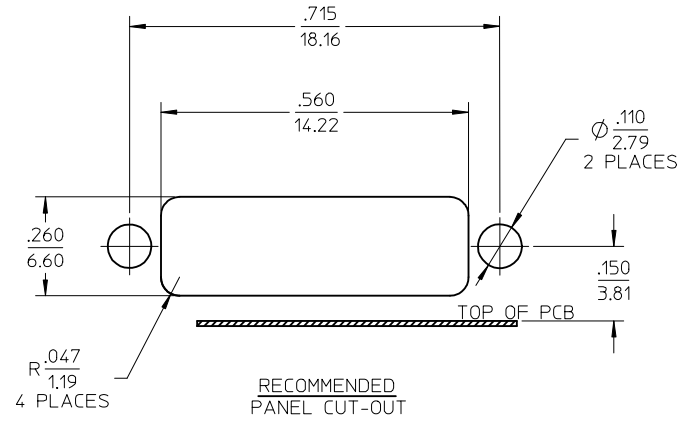
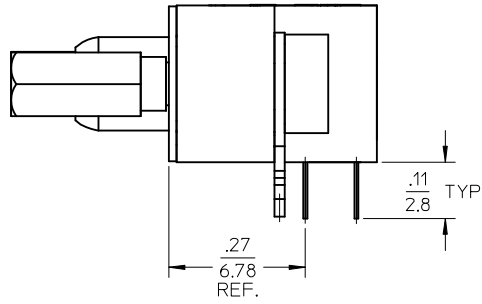
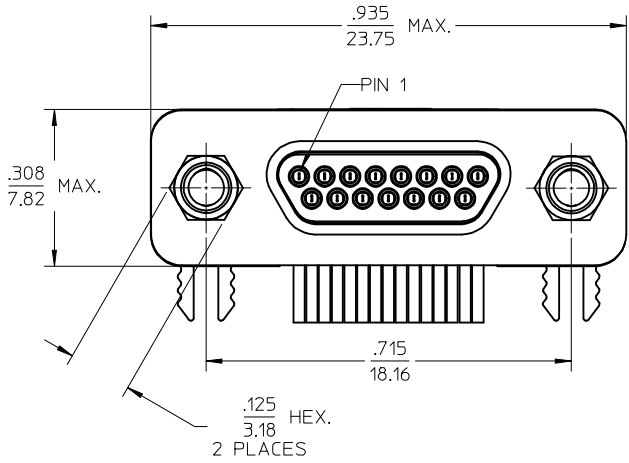


SALES DRAWING

- NOTE:
 1. REFER TO PS-83421-9000 FOR PRODUCT SPECIFICATION.
 2. RoHS COMPLIANT

REDRAWN EC NO: WNA2008-0146 DRWN: RUPERT CHKD: APPR: JF MURPHY 2009/01/15 2009/01/19	QUALITY SYMBOLS	GENERAL TOLERANCES (UNLESS SPECIFIED)		DIMENSION STYLE		SCALE	DESIGN UNITS	THIRD ANGLE PROJECTION	
	$\nabla=0$ $\square=0$	mm	INCH	IN/MM		4:1	INCH		
	4 PLACES	± ---	± ---	DRAWN BY	DATE	TITLE			
	3 PLACES	± ---	± .005	JLOMASTR	04/09/20	CONNECTOR COMMERCIAL			
	2 PLACES	± 0.13	± .01	CHECKED BY	DATE	MICRO D R/A SIZE 15			
	1 PLACE	± 0.25	± ---	RDEROSS	04/09/27				
	ANGULAR ± 1 °			APPROVED BY	DATE	MOLEX INCORPORATED			
	DRAFT WHERE APPLICABLE MUST REMAIN WITHIN DIMENSIONS			RDEROSS	04/09/28	DOCUMENT NO.		SHEET NO.	
				SEE CHART		SD-83612-002		1 OF 1	
	THIS DRAWING CONTAINS INFORMATION THAT IS PROPRIETARY TO MOLEX INCORPORATED AND SHOULD NOT BE USED WITHOUT WRITTEN PERMISSION								

MATERIAL NO.	ENG. NO.
836129020	83612-9020



SALES DRAWING

NOTE:
 1. REFER TO PS-83421-9000 FOR PRODUCT SPECIFICATION.
 2. RoHS COMPLIANT

REDRAWN EC NO: WNA2008-0146 DRWN: RUPERT CHKD: APPR: JF MURPHY 2009/01/15 2009/01/19	QUALITY SYMBOLS	GENERAL TOLERANCES (UNLESS SPECIFIED)		DIMENSION STYLE		SCALE	DESIGN UNITS	THIRD ANGLE PROJECTION	
	$\nabla=0$ $\square=0$	mm	INCH	IN/MM		4:1	INCH		
		4 PLACES ± ---	± ---	DRAWN BY	DATE	TITLE			
		3 PLACES ± ---	± .005	JLOMASTR	04/09/20	CONNECTOR COMMERCIAL			
	2 PLACES ± 0.13	± .01	CHECKED BY	DATE	MICRO D R/A SIZE 15				
	1 PLACE ± 0.25	± ---	RDEROSS	04/09/27					
	ANGULAR ± 1 °		APPROVED BY	DATE	MOLEX INCORPORATED				
	DRAFT WHERE APPLICABLE MUST REMAIN WITHIN DIMENSIONS		RDEROSS	04/09/28	MATERIAL NO.		DOCUMENT NO.		SHEET NO.
			SEE CHART		SD-83612-002		1 OF 1		
			THIS DRAWING CONTAINS INFORMATION THAT IS PROPRIETARY TO MOLEX INCORPORATED AND SHOULD NOT BE USED WITHOUT WRITTEN PERMISSION						