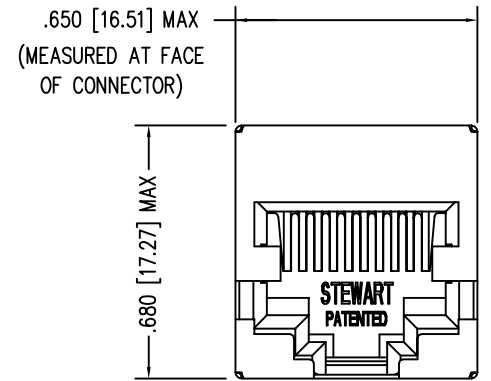
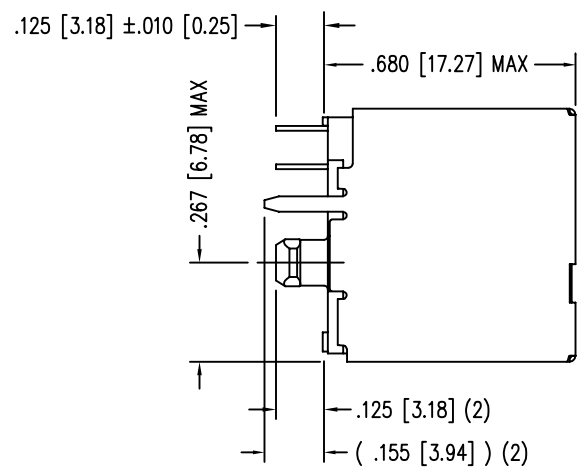
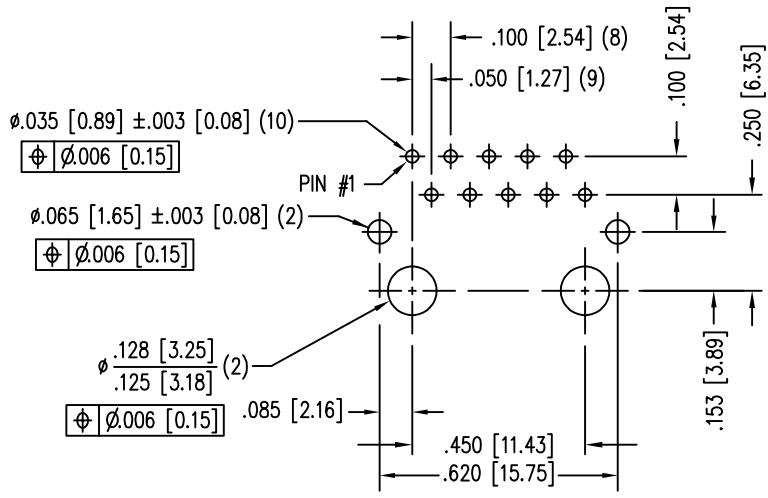
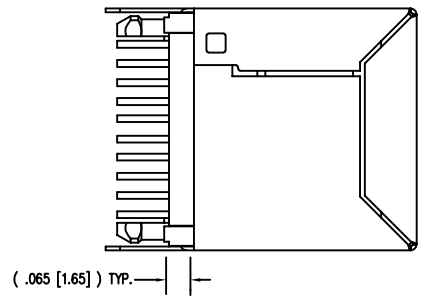


DATE	REV	ECN	APP'D. BY
3-16-16	B2	10624	TRM
11-9-16	B3	10818	TRM
1-12-17	B4	10861	TRM



NOTES:

- CONNECTOR MATERIALS:
HOUSING: HI-TEMP, UL94 V-0
CONTACTS/SHIELD: COPPER ALLOY
SHIELD PLATING: NICKEL OR "REFLOW" TIN
CONTACT PLATING: SELECTIVE GOLD OR EQUIVALENT IN THE CONTACT AREA
SEE CHART FOR PART NUMBER
- FOR PRODUCT SPECIFICATIONS SEE PR022-01.
- RATED AT MAX. 260°C FOR MAX. 10 SECS.
- DIMENSIONS AND TOLERANCES COMPLY WITH TIA-1096 STANDARD.
- THIS CONNECTOR CAN BE USED IN RJ-45, RJ-48 AND RJ-50 APPLICATIONS WITH THE APPROPRIATE PCB LAYOUT AND PIN ASSIGNMENT BY THE CUSTOMER.

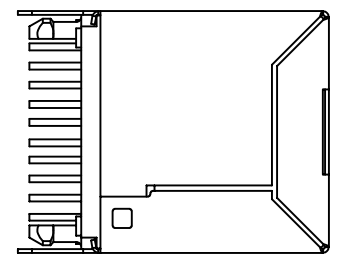
50 MICRO-INCHES [1.27um]	SS65100-052F
30 MICRO-INCHES [0.76um]	SS65100-038F
CONTACT PLATING IN MATING AREA	PART NUMBER

B

B

A

A



THIRD ANGLE PROJECTION
DO NOT SCALE DRAWING DRAWING IS SUBJECT TO CHANGE WITHOUT NOTICE
DIMENSIONS: INCHES [METRIC]
UNLESS OTHERWISE SPECIFIED TOLERANCES ARE ±.005 [0.13] ANGLES ARE ± 1°
SHEET NO. 1 OF 1

<p>1118 Susquehanna Trail South Glen Rock, PA 17327-9199 (717) 235-7512 http://www.stewartconnector.com</p>	<p>TITLE: TEN CONTACT, TEN POSITION, VERTICAL MOUNT SHIELDED JACK, NON-FLANGED</p>	
	<p>DRN BY: TRM</p>	<p>DATE: 3-20-06</p>
<p>APPD BY: DHG</p>	<p>DATE: 3-20-06</p>	<p>REV: B4</p>
<p>DWG NO. CT650085F</p>	<p>DATE: 3-20-06</p>	