



26.5 GHz

SMA

LATCHING

TRANSFER

SWITCH

OPTIONS:

R F CHARACTERISTICS

FREQUENCY RANGE : 0 - 26.5 GHz
IMPEDANCE : 50 Ohms

| | | | | | |
|-----------------|---------|---------|---------|----------|----------|
| FREQUENCY (GHz) | 0 - 3 | 3 - 8 | 8 -12.4 | 12.4- 18 | 18 -26.5 |
| V.S.W.R <= | 1.20 | 1.30 | 1.40 | 1.50 | 1.70 |
| INSERT. LOSS <= | 0.20 dB | 0.30 dB | 0.40 dB | 0.50 dB | 0.70 dB |
| ISOLATION >= | 80 dB | 70 dB | 65 dB | 60 dB | 50 dB |
| AVER. POWER (*) | 240 W | 150 W | 120 W | 100 W | 40 W |

ELECTRICAL CHARACTERISTICS

ACTUATOR : LATCHING
NOMINAL CURRENT AT 25° C (±10%) : 125 mA
ACTUATOR VOLTAGE (Vcc) : 28V (24 to 30V) / POSITIVE COMMON
TERMINALS : solder pins (250 Deg.C max./30 sec)

MECHANICAL CHARACTERISTICS

CONNECTORS : SMA female per MIL C 39012
LIFE : 2.500.000 cycles
SWITCHING TIME (nominal voltage;25° C) : < 15 ms
CONSTRUCTION : splashproof
WEIGHT : < 85 g

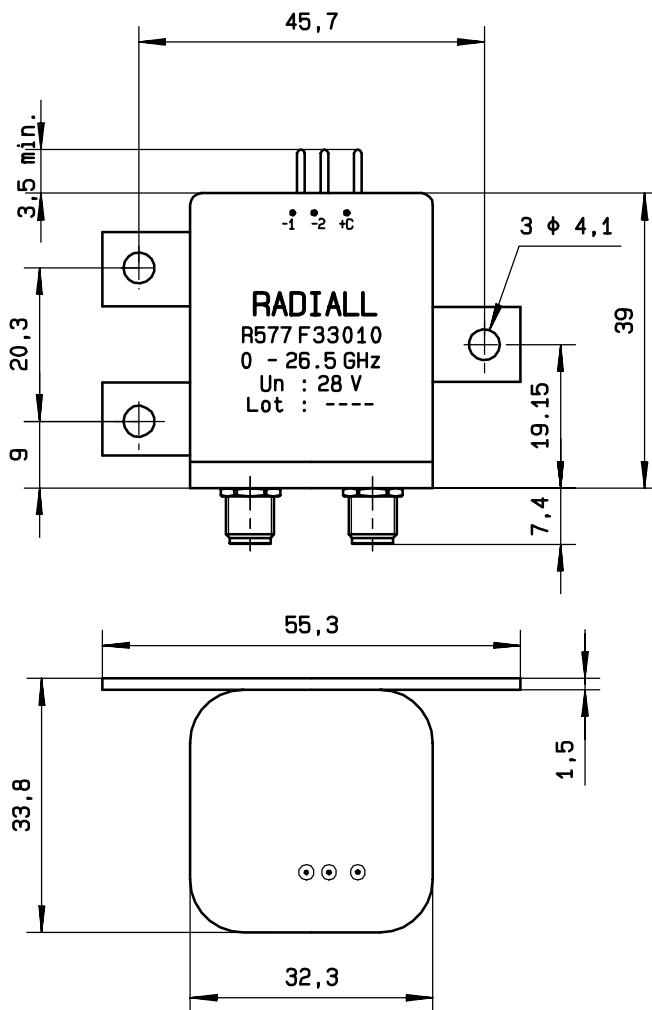
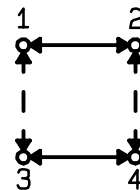
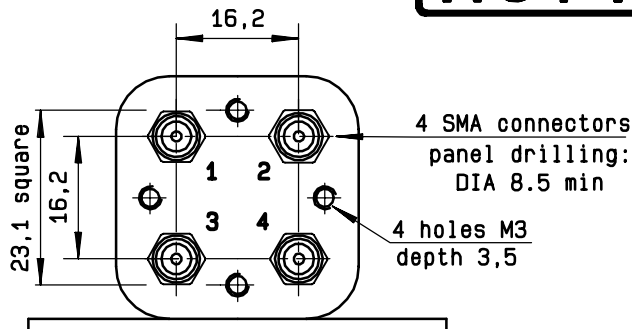
ENVIRONMENTAL CHARACTERISTICS

OPERATING TEMPERATURE RANGE (°C) : -25 , +70
STORAGE TEMPERATURE RANGE (°C) : -40 , +85

(* : average power at 25° C)

4112-9212 This information is given as an indication. In the continual goal to improve our products, we reserve the right to make any modifications judged necessary

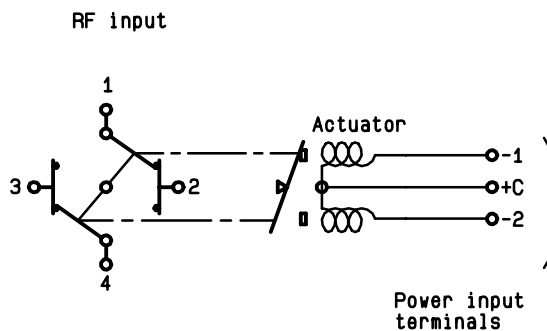
DRAWING



General tolerance: ± 0,5 mm

SCHEMATIC DIAGRAM

| Voltage | RF continuity |
|---------|----------------|
| + C - 1 | 1 ↔ 3 2 ↔ 4 |
| + C - 2 | 1 ↔ 2 3 ↔ 4 |



4113-9212 This information is given as an indication. In the continual goal to improve our products, we reserve the right to make any modifications judged necessary