

# 3M™ D Sub Plug Connector

## 50 Position – 8250 Series



- IDC compatible
- Dimples aid in EMI/ESD protection
- Lower insertion/withdrawal force than other 50 position products
- Available in either open or closed end cover
- Mounting options include #4-40 UNC or metric M2.5 threaded inserts
- Conforms to Intelligent Peripheral Interface (IPI) standard
- Regulatory Information: Visit [3M.com/regs](http://3M.com/regs) or contact your 3M representative to find the RoHS compliance status of the 3M part you are interested in.

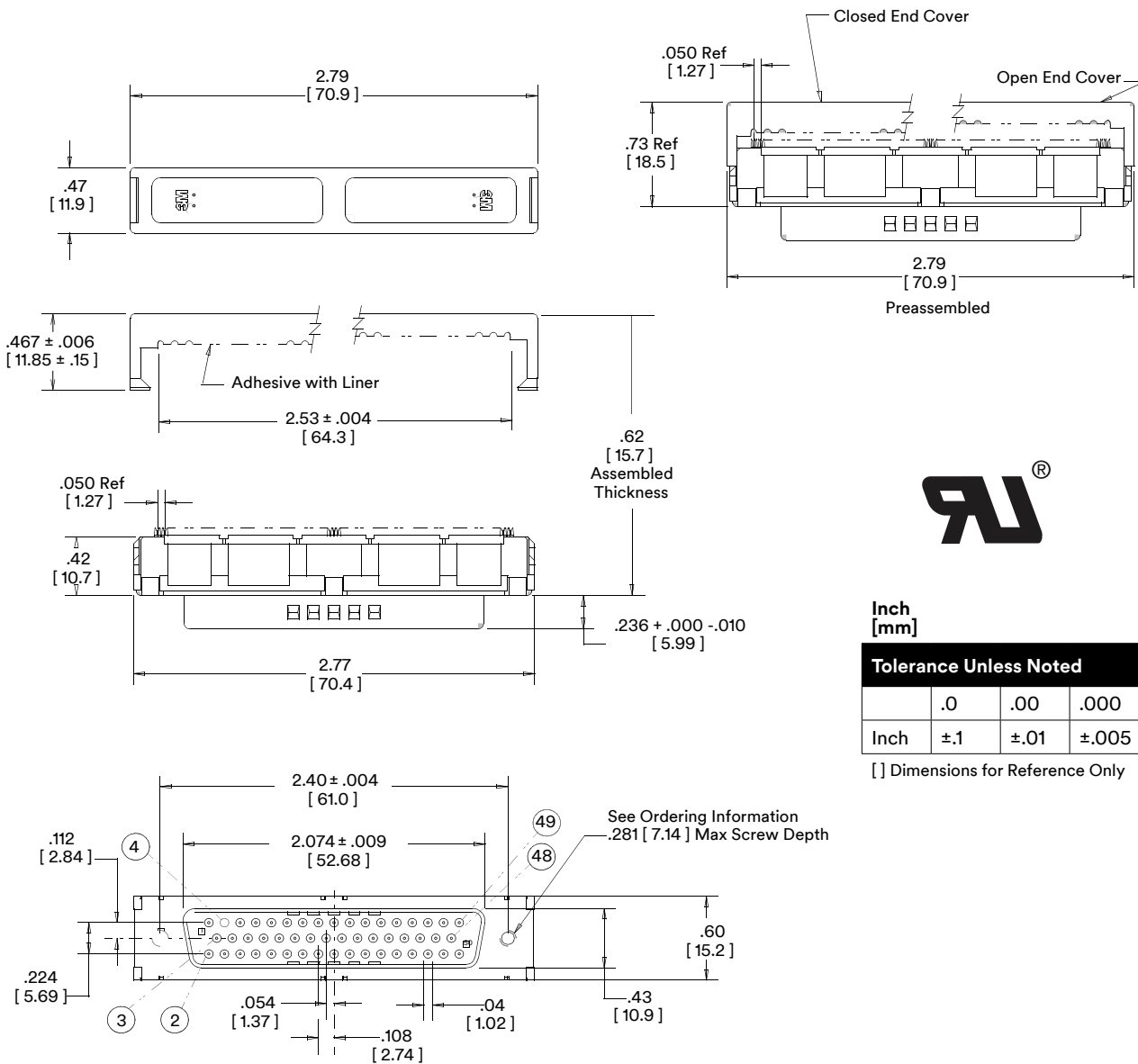
Date Modified: July 29, 2019

Physical	
<b>Insulation:</b> Material Flammability Color	Glass Filled Polyester (PBT) UL 94V-0 Gray
<b>Contact:</b> Material	Copper Alloy
<b>Plating:</b> Underplating Wiping Area	100 μ" [ 2.54 μm ] Nickel 30 μ" [ 0.76 μm ] Gold
<b>Shell:</b> Material Plating	Steel Bright Nickel
<b>Strain Relief Material</b>	Stainless Steel - .020 [ 0.50 ] Thick
<b>Wire Accommodation</b>	26 and 28 AWG Solid or Stranded
<b>Marking</b>	3M Logo and Contact Position Numbers
Electrical	
<b>Current Rating</b>	1 A
<b>Insulation Resistance</b>	> 1 × 10 <sup>9</sup> Ω at 500 V <sub>DC</sub>
<b>Withstanding Voltage</b>	1,000 V <sub>RMS</sub> at Sea Level
Environmental	
<b>Temperature Rating</b>	-55°C to +105°C

UL File No.: E68080

# 3M™ D Sub Plug Connector

## 50 Position – 8250 Series



Inch  
[mm]

Tolerance Unless Noted

	.0	.00	.000
Inch	±.1	±.01	±.005

[ ] Dimensions for Reference Only

### Notes:

1. Circled Numbers represent cable conductor number. (xx)
2. Preassembled closed cover is on Pin #1 side.

## Ordering Information

**Connector**  
**8250 - X00X**

**Cover Style:**  
6= Open Cover  
7= Closed Cover

**Mounting Style:**  
5 = 4-40 UNC  
6 = M2.5

**Assembly Tools:** 3M™ Standard Assembly Press 3640 (or equivalent), 3M™ Locator Plate 3443-112, 3M™ Platen 3442-44

**Strain Relief**  
(Order Separately)  
**3448 - 8D50**



Electronics Materials Solutions Division  
Interconnect Solutions  
<http://www.3M.com/interconnect>

3M is a trademark of 3M Company.  
For technical sales or ordering information call  
**800-225-5373**

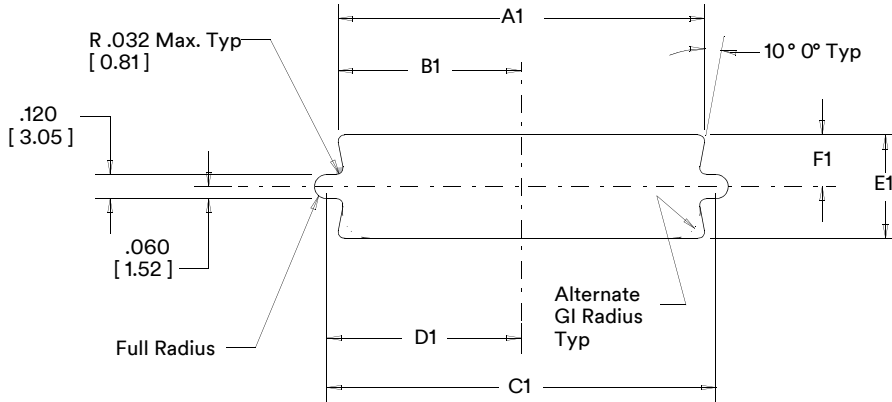
TS-0035-E  
Sheet 2 of 3

# 3M™ D Sub Plug Connector

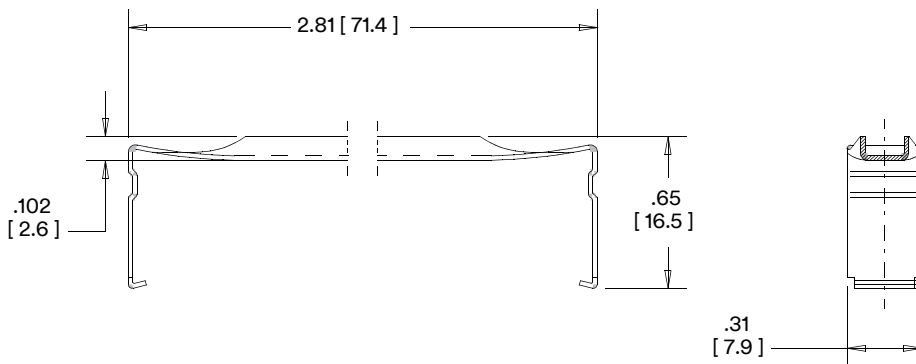
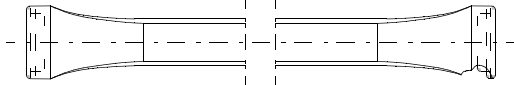
## 50 Position – 8250 Series

Mounting Method*	Contact Quantity	Dimensions						
		A1	B1	C1	D1	E1	F1	G1
Rear	50	2.218 [56.34]	1.109 [28.17]	2.40 [61.0]	1.20 [30.48]	0.525 [13.34]	0.26 [6.60]	0.120 [3.05]

\*Rear Mount - The connector is mounted behind the panel.



Strain Relief  
(Order Separately)  
Material: Stainless Steel



Regulatory: For regulatory information about this product, visit [3M.com/regs](http://3M.com/regs) or contact your 3M representative.

Technical Information: The technical information, recommendations and other statements contained in this document are based upon tests or experience that 3M believes are reliable, but the accuracy or completeness of such information is not guaranteed.

Product Use: Many factors beyond 3M's control and uniquely within user's control can affect the use and performance of a 3M product in a particular application. Given the variety of factors that can affect the use and performance of a 3M product, user is solely responsible for evaluating the 3M product and determining whether it is fit for a particular purpose and suitable for user's method of application.

Warranty, Limited Remedy, and Disclaimer: Unless an additional warranty is specifically stated on the applicable 3M product packaging or product literature, 3M warrants that each 3M product meets the applicable 3M product specification at the time 3M ships the product. 3M MAKES NO OTHER WARRANTIES OR CONDITIONS, EXPRESS OR IMPLIED, INCLUDING, BUT NOT LIMITED TO, ANY IMPLIED WARRANTY OR CONDITION OF MERCHANTABILITY OR FITNESS FOR A PARTICULAR PURPOSE OR ANY IMPLIED WARRANTY OR CONDITION ARISING OUT OF A COURSE OF DEALING, CUSTOM OR USAGE OR TRADE.

If the 3M product does not conform to this warranty, then the sole and exclusive remedy is, at 3M's option, replacement of the 3M product or refund of the purchase price.

Limitation of Liability: Except where prohibited by law, 3M will not be liable for any loss or damage arising from the 3M product, whether direct, indirect, special, incidental or consequential, regardless of the legal theory asserted, including warranty, contract, negligence or strict liability.

3M Business Center  
Electronics Materials Solutions Division  
13011 McCallen Pass Bldg. C  
Austin, TX 78753-5380  
1-800-225-5373  
[www.3M.com/interconnect](http://www.3M.com/interconnect)



**Electronics Materials Solutions Division**  
**Interconnect Solutions**  
<http://www.3M.com/interconnect>

Please recycle. Printed in USA. ©  
3M 2019. All rights reserved.  
RIA-2217B-E

3M is a trademark of 3M Company.