



PESD5V0L2UU; PESD6V0L2UU

Low capacitance unidirectional ESD protection diodes

Rev. 01 — 11 March 2009

Product data sheet

1. Product profile

1.1 General description

Low capacitance unidirectional double ElectroStatic Discharge (ESD) protection diodes in a very small Surface-Mounted Device (SMD) plastic package designed to protect up to two signal lines from the damage caused by ESD and other transients.

Table 1. Product overview

Type number	Package		Package configuration
	Nexperia	JEITA	
PESD5V0L2UU	SOT323	SC-70	very small
PESD6V0L2UU			

1.2 Features

- Unidirectional ESD protection of up to two lines
- Low diode capacitance: $C_d = 34$ pF
- Max. peak pulse power: $P_{PP} = 70$ W
- Low clamping voltage: $V_{CL} = 13$ V
- Ultra low leakage current
- ESD protection up to 30 kV
- IEC 61000-4-2; level 4 (ESD)
- IEC 61000-4-5 (surge); $I_{PP} = 6.5$ A
- AEC-Q101 qualified

1.3 Applications

- Audio and video equipment
- Computers and peripherals
- Cellular handsets and accessories
- Communication systems
- Portable electronics
- Subscriber Identity Module (SIM) card protection

1.4 Quick reference data

Table 2. Quick reference data

$T_{amb} = 25^\circ\text{C}$ unless otherwise specified.

Symbol	Parameter	Conditions	Min	Typ	Max	Unit
V_{RWM}	reverse standoff voltage					
	PESD5V0L2UU		-	-	5.0	V
	PESD6V0L2UU		-	-	6.0	V

Table 2. Quick reference data ...continued
 $T_{amb} = 25^{\circ}\text{C}$ unless otherwise specified.

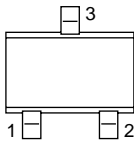
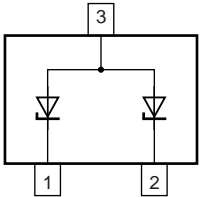
Symbol	Parameter	Conditions	Min	Typ	Max	Unit
C_d	diode capacitance	$f = 1\text{ MHz}; V_R = 0\text{ V}$	[1] -	19	23	pF
			[2] -	38	46	pF
	PESD6V0L2UU		[1] -	17	20	pF
			[2] -	34	40	pF

[1] Bidirectional configuration: measured from pin 1 to 2 or pin 2 to 1.

[2] Unidirectional configuration: measured from pin 1 to 3 or pin 2 to 3.

2. Pinning information

Table 3. Pinning

Pin	Description	Simplified outline	Graphic symbol
1	cathode (diode 1)		
2	cathode (diode 2)		
3	common anode		

006aaa154

3. Ordering information

Table 4. Ordering information

Type number	Package		
	Name	Description	Version
PESD5V0L2UU	SC-70	plastic surface-mounted package; 3 leads	SOT323
PESD6V0L2UU			

4. Marking

Table 5. Marking codes

Type number	Marking code ^[1]
PESD5V0L2UU	H1*
PESD6V0L2UU	H2*

[1] * = -: made in Hong Kong
 * = p: made in Hong Kong
 * = t: made in Malaysia
 * = W: made in China

5. Limiting values

Table 6. Limiting values

In accordance with the Absolute Maximum Rating System (IEC 60134).

Symbol	Parameter	Conditions	Min	Max	Unit
Per diode					
P _{PP}	peak pulse power	t _p = 8/20 μs	[1][2]		
	PESD5V0L2UU		-	70	W
	PESD6V0L2UU		-	60	W
I _{PP}	peak pulse current	t _p = 8/20 μs	[1][2]		
	PESD5V0L2UU		-	6.5	A
	PESD6V0L2UU		-	5.5	A
T _j	junction temperature		-	150	°C
T _{amb}	ambient temperature		-55	+150	°C
T _{stg}	storage temperature		-65	+150	°C

[1] Non-repetitive current pulse 8/20 μs exponential decay waveform according to IEC 61000-4-5.

[2] Measured from pin 1 or 2 to pin 3.

Table 7. ESD maximum ratings

T_{amb} = 25 °C unless otherwise specified.

Symbol	Parameter	Conditions	Min	Max	Unit	
V _{ESD}	electrostatic discharge voltage	IEC 61000-4-2 (contact discharge)	[1]	-	30	kV
		MIL-STD-883 (human body model)	[2]	-	16	kV

[1] Device stressed with ten non-repetitive ESD pulses.

[2] Measured from pin 1 or 2 to pin 3.

Table 8. ESD standards compliance

Standard	Conditions
IEC 61000-4-2; level 4 (ESD)	> 15 kV (air); > 8 kV (contact)
MIL-STD-883; class 3 (human body model)	> 4 kV

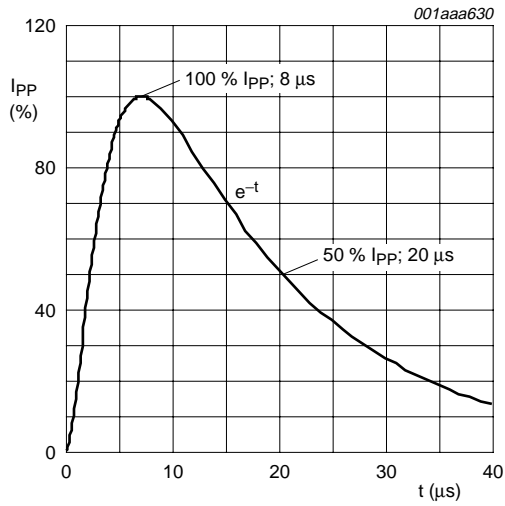


Fig 1. 8/20 μ s pulse waveform according to IEC 61000-4-5

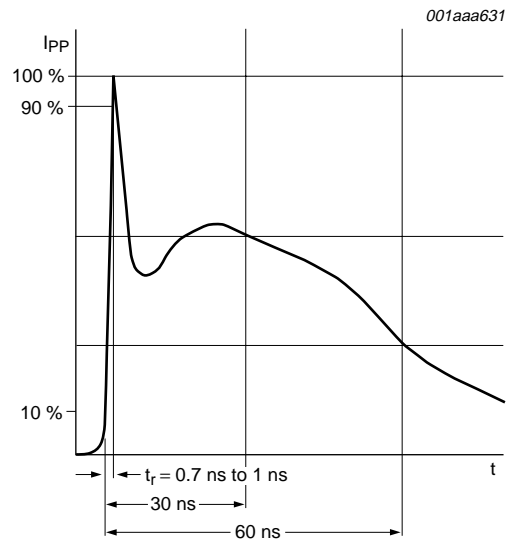


Fig 2. ESD pulse waveform according to IEC 61000-4-2

6. Characteristics

Table 9. Characteristics

$T_{amb} = 25\text{ }^{\circ}\text{C}$ unless otherwise specified.

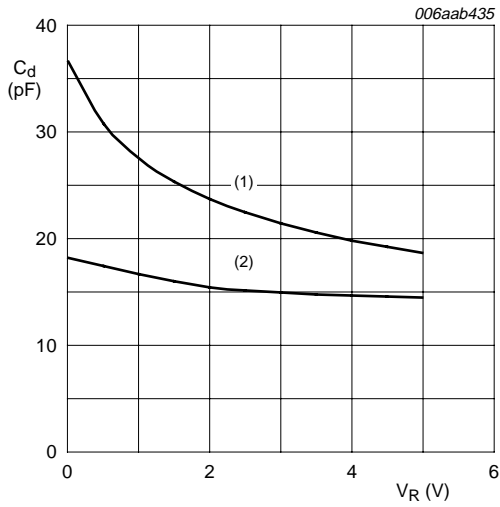
Symbol	Parameter	Conditions	Min	Typ	Max	Unit
V_{RWM}	reverse standoff voltage					
	PESD5V0L2UU		-	-	5.0	V
	PESD6V0L2UU		-	-	6.0	V
I_{RM}	reverse leakage current					
	PESD5V0L2UU	$V_{RWM} = 4.0\text{ V}$	-	20	90	nA
	PESD6V0L2UU	$V_{RWM} = 4.3\text{ V}$	-	1.5	18	nA
	PESD5V0L2UU	$V_{RWM} = 5.0\text{ V}$	-	430	-	nA
	PESD6V0L2UU	$V_{RWM} = 6.0\text{ V}$	-	310	-	nA
V_{BR}	breakdown voltage	$I_R = 5\text{ mA}$				
	PESD5V0L2UU		5.8	6.2	6.6	V
	PESD6V0L2UU		6.4	6.8	7.2	V
C_d	diode capacitance	$f = 1\text{ MHz}; V_R = 0\text{ V}$				
	PESD5V0L2UU	[1]	-	19	23	pF
		[2]	-	38	46	pF
	PESD6V0L2UU	[1]	-	17	20	pF
		[2]	-	34	40	pF
V_{CL}	clamping voltage	$I_{PP} = 5.5\text{ A}$	[3][4]			
	PESD5V0L2UU		-	-	13	V
	PESD6V0L2UU		-	-	13.5	V
r_{dif}	differential resistance	$I_R = 5\text{ mA}$				
	PESD5V0L2UU		-	-	25	Ω
	PESD6V0L2UU		-	-	30	Ω

[1] Bidirectional configuration: measured from pin 1 to 2 or pin 2 to 1.

[2] Unidirectional configuration: measured from pin 1 to 3 or pin 2 to 3.

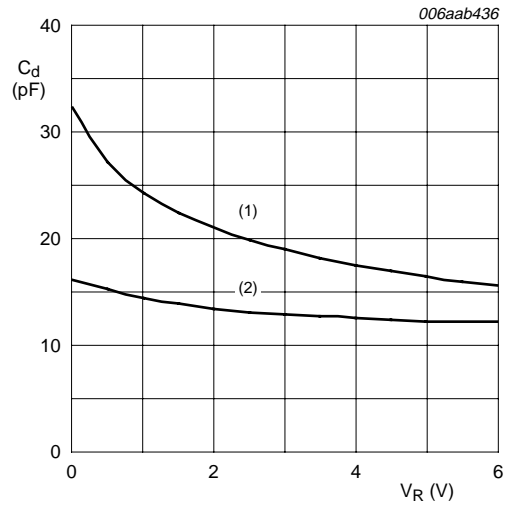
[3] Non-repetitive current pulse 8/20 μs exponential decay waveform according to IEC 61000-4-5.

[4] Measured from pin 1 or 2 to pin 3.



$f = 1 \text{ MHz}; T_{\text{amb}} = 25 \text{ }^\circ\text{C}$
 (1) unidirectional
 (2) bidirectional

Fig 3. PESD5V0L2UU: Diode capacitance as a function of reverse voltage; typical values



$f = 1 \text{ MHz}; T_{\text{amb}} = 25 \text{ }^\circ\text{C}$
 (1) unidirectional
 (2) bidirectional

Fig 4. PESD6V0L2UU: Diode capacitance as a function of reverse voltage; typical values

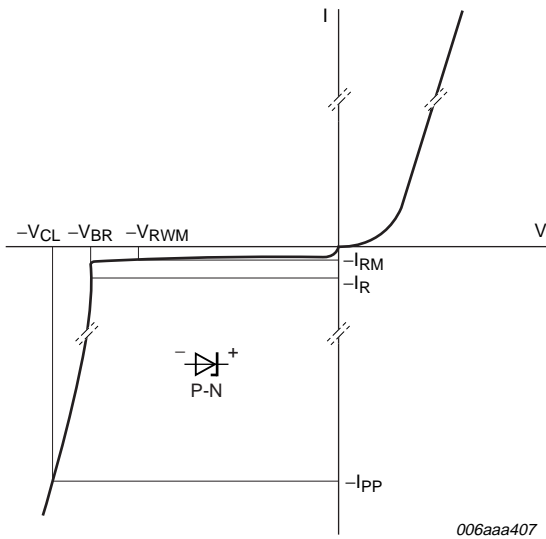


Fig 5. V-I characteristics for a unidirectional ESD protection diode

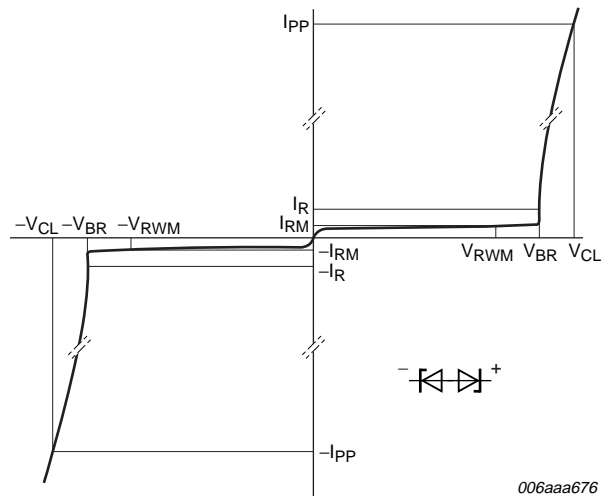


Fig 6. V-I characteristics for a bidirectional ESD protection diode

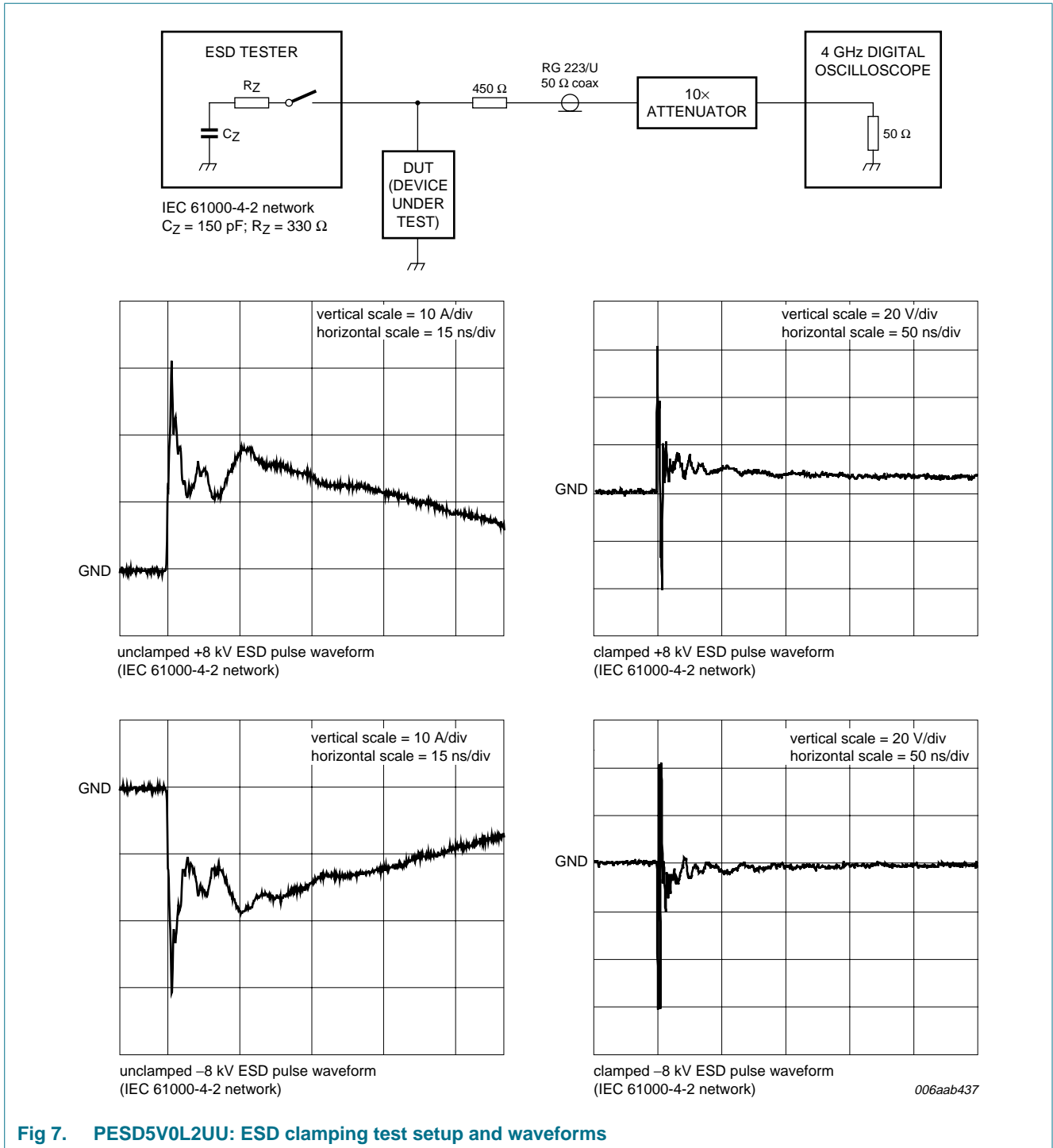
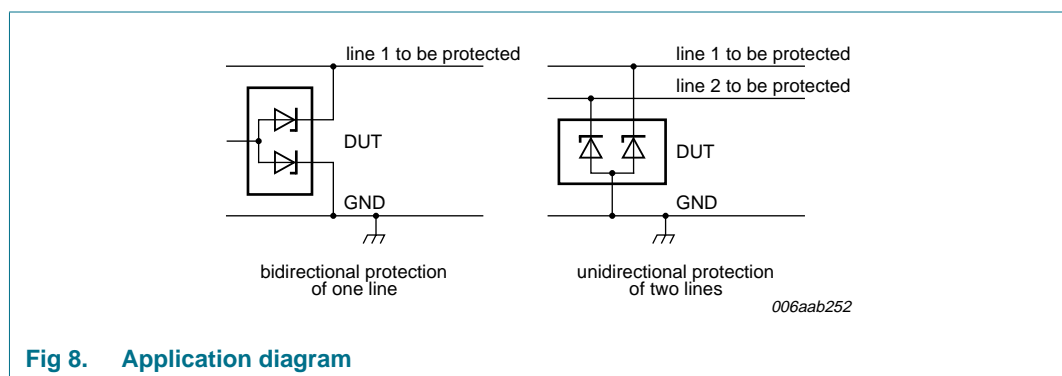


Fig 7. PESD5V0L2UU: ESD clamping test setup and waveforms

7. Application information

PESD5V0L2UU and PESD6V0L2UU are designed for the protection of up to two unidirectional data or signal lines, or for the protection of one bidirectional data or signal line, from the damage caused by ESD. For unidirectional protection, the devices may be used on lines where the signal polarities are positive with respect to ground, and for bidirectional protection, the devices may be used on lines where the signal polarities are both, positive and negative with respect to ground.

For an 8/20 μs waveform, the PESD5V0L2UU provides a surge capability of up to 70 W per line, and the PESD6V0L2UU provides a surge capability of up to 60 W per line.



Circuit board layout and protection device placement

Circuit board layout is critical for the suppression of ESD and Electrical Fast Transient (EFT). The following guidelines are recommended:

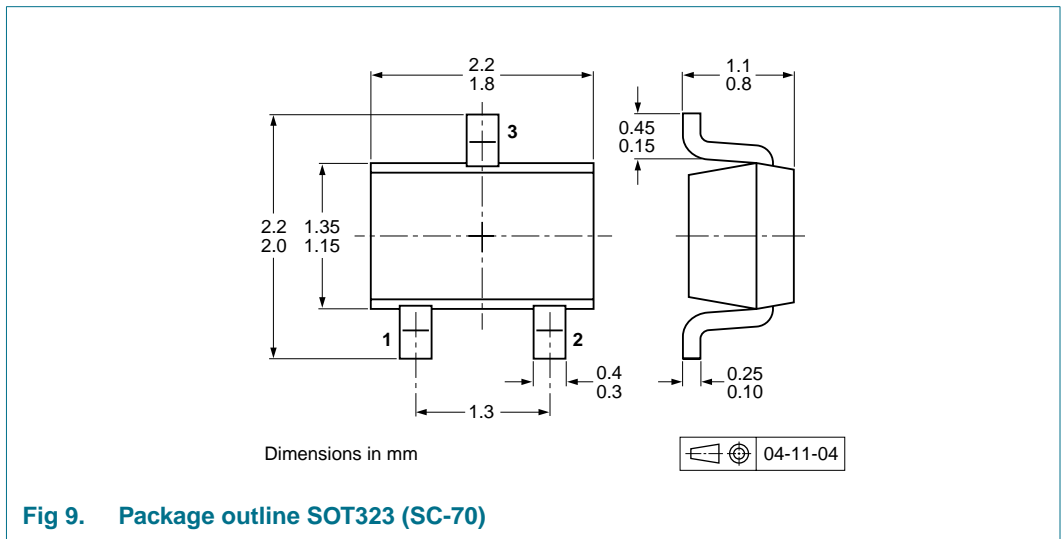
1. Place the devices as close to the input terminal or connector as possible.
2. The path length between the device and the protected line should be minimized.
3. Keep parallel signal paths to a minimum.
4. Avoid running protected conductors in parallel with unprotected conductors.
5. Minimize all Printed-Circuit Board (PCB) conductive loops including power and ground loops.
6. Minimize the length of the transient return path to ground.
7. Avoid using shared transient return paths to a common ground point.
8. Ground planes should be used whenever possible. For multilayer PCBs, use ground vias.

8. Test information

8.1 Quality information

This product has been qualified in accordance with the Automotive Electronics Council (AEC) standard *Q101 - Stress test qualification for discrete semiconductors*, and is suitable for use in automotive applications.

9. Package outline



10. Packing information

Table 10. Packing methods

The indicated -xxx are the last three digits of the 12NC ordering code.^[1]

Type number	Package	Description	Packing quantity	
			3000	10000
PESD5V0L2UU	SOT323	4 mm pitch, 8 mm tape and reel	-115	-135
PESD6V0L2UU				

[1] For further information and the availability of packing methods, see [Section 14](#).

11. Soldering

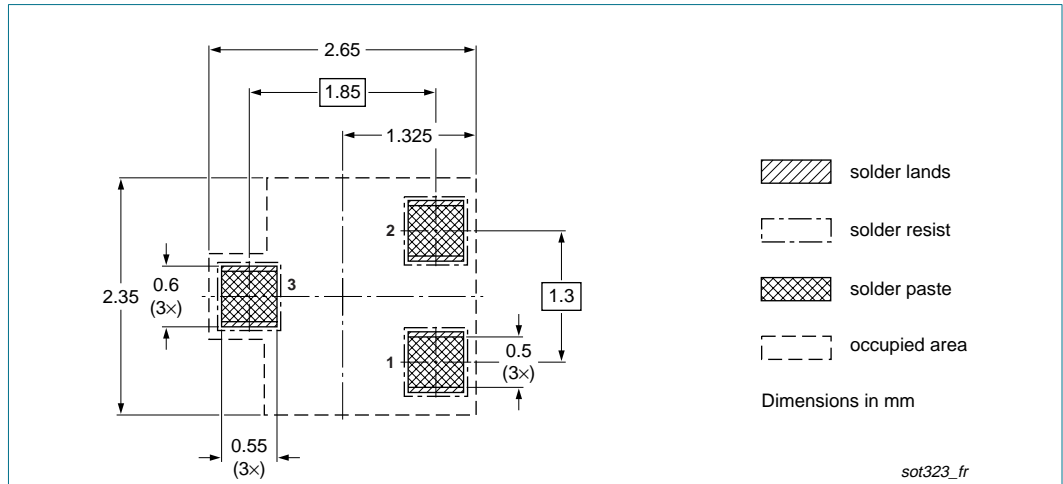


Fig 10. Reflow soldering footprint SOT323 (SC-70)

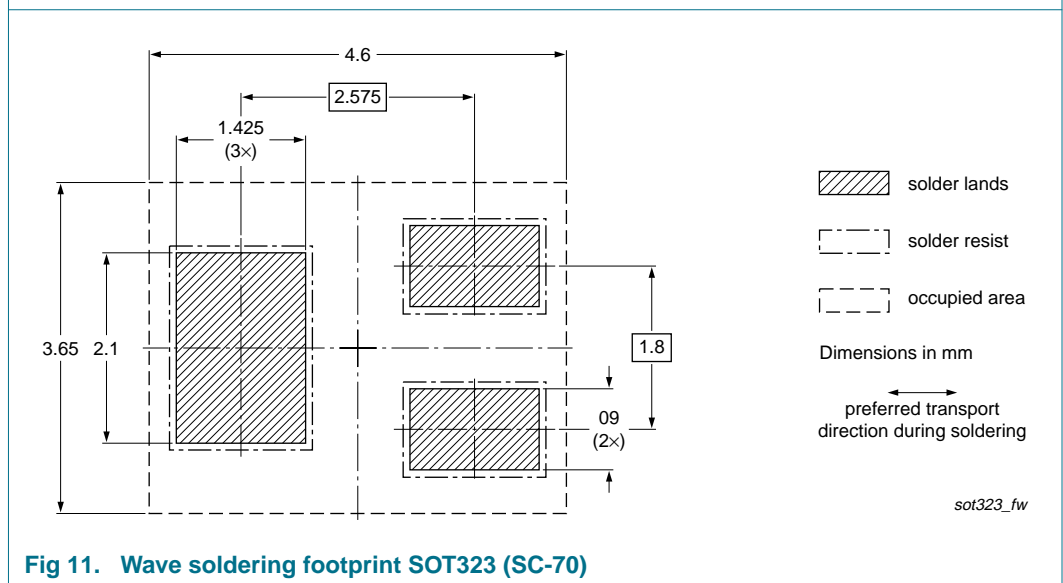


Fig 11. Wave soldering footprint SOT323 (SC-70)

12. Revision history

Table 11. Revision history

Document ID	Release date	Data sheet status	Change notice	Supersedes
PESD5V0L2UU_PESD6V0L2UU_1	20090311	Product data sheet	-	-

13. Legal information

13.1 Data sheet status

Document status ^{[1][2]}	Product status ^[3]	Definition
Objective [short] data sheet	Development	This document contains data from the objective specification for product development.
Preliminary [short] data sheet	Qualification	This document contains data from the preliminary specification.
Product [short] data sheet	Production	This document contains the product specification.

[1] Please consult the most recently issued document before initiating or completing a design.

[2] The term 'short data sheet' is explained in section "Definitions".

[3] The product status of device(s) described in this document may have changed since this document was published and may differ in case of multiple devices. The latest product status information is available on the Internet at URL <http://www.nexperia.com>.

13.2 Definitions

Draft — The document is a draft version only. The content is still under internal review and subject to formal approval, which may result in modifications or additions. Nexperia does not give any representations or warranties as to the accuracy or completeness of information included herein and shall have no liability for the consequences of use of such information.

Short data sheet — A short data sheet is an extract from a full data sheet with the same product type number(s) and title. A short data sheet is intended for quick reference only and should not be relied upon to contain detailed and full information. For detailed and full information see the relevant full data sheet, which is available on request via the local Nexperia sales office. In case of any inconsistency or conflict with the short data sheet, the full data sheet shall prevail.

13.3 Disclaimers

General — Information in this document is believed to be accurate and reliable. However, Nexperia does not give any representations or warranties, expressed or implied, as to the accuracy or completeness of such information and shall have no liability for the consequences of use of such information.

Right to make changes — Nexperia reserves the right to make changes to information published in this document, including without limitation specifications and product descriptions, at any time and without notice. This document supersedes and replaces all information supplied prior to the publication hereof.

Suitability for use — Nexperia products are not designed, authorized or warranted to be suitable for use in medical, military, aircraft, space or life support equipment, nor in applications where failure or malfunction of a Nexperia product can reasonably be expected to result in personal injury, death or severe property or environmental damage. Nexperia accepts no liability for inclusion and/or use of Nexperia products in such equipment or applications and therefore such inclusion and/or use is at the customer's own risk.

Applications — Applications that are described herein for any of these products are for illustrative purposes only. Nexperia makes no representation or warranty that such applications will be suitable for the specified use without further testing or modification.

Limiting values — Stress above one or more limiting values (as defined in the Absolute Maximum Ratings System of IEC 60134) may cause permanent damage to the device. Limiting values are stress ratings only and operation of the device at these or any other conditions above those given in the Characteristics sections of this document is not implied. Exposure to limiting values for extended periods may affect device reliability.

Terms and conditions of sale — Nexperia products are sold subject to the general terms and conditions of commercial sale, as published at <http://www.nexperia.com/profile/terms>, including those pertaining to warranty, intellectual property rights infringement and limitation of liability, unless explicitly otherwise agreed to in writing by Nexperia. In case of any inconsistency or conflict between information in this document and such terms and conditions, the latter will prevail.

No offer to sell or license — Nothing in this document may be interpreted or construed as an offer to sell products that is open for acceptance or the grant, conveyance or implication of any license under any copyrights, patents or other industrial or intellectual property rights.

Quick reference data — The Quick reference data is an extract of the product data given in the Limiting values and Characteristics sections of this document, and as such is not complete, exhaustive or legally binding.

ESD protection devices — These products are only intended for protection against ElectroStatic Discharge (ESD) pulses and are not intended for any other usage including, without limitation, voltage regulation applications. Nexperia accepts no liability for use in such applications and therefore such use is at the customer's own risk.

Export control — This document as well as the item(s) described herein may be subject to export control regulations. Export might require a prior authorization from national authorities.

13.4 Trademarks

Notice: All referenced brands, product names, service names and trademarks are the property of their respective owners.

14. Contact information

For more information, please visit: <http://www.nexperia.com>

For sales office addresses, please send an email to: salesaddresses@nexperia.com

15. Contents

1	Product profile	1
1.1	General description	1
1.2	Features	1
1.3	Applications	1
1.4	Quick reference data	1
2	Pinning information	2
3	Ordering information	2
4	Marking	2
5	Limiting values	3
6	Characteristics	5
7	Application information	8
8	Test information	9
8.1	Quality information	9
9	Package outline	9
10	Packing information	9
11	Soldering	10
12	Revision history	11
13	Legal information	12
13.1	Data sheet status	12
13.2	Definitions	12
13.3	Disclaimers	12
13.4	Trademarks	12
14	Contact information	12
15	Contents	13