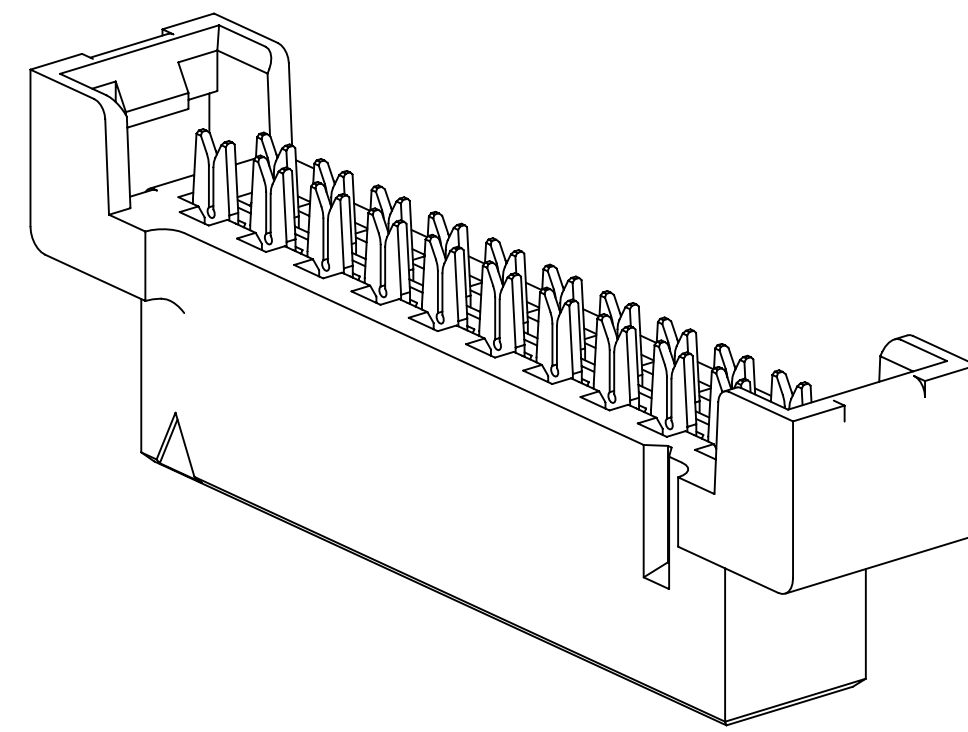
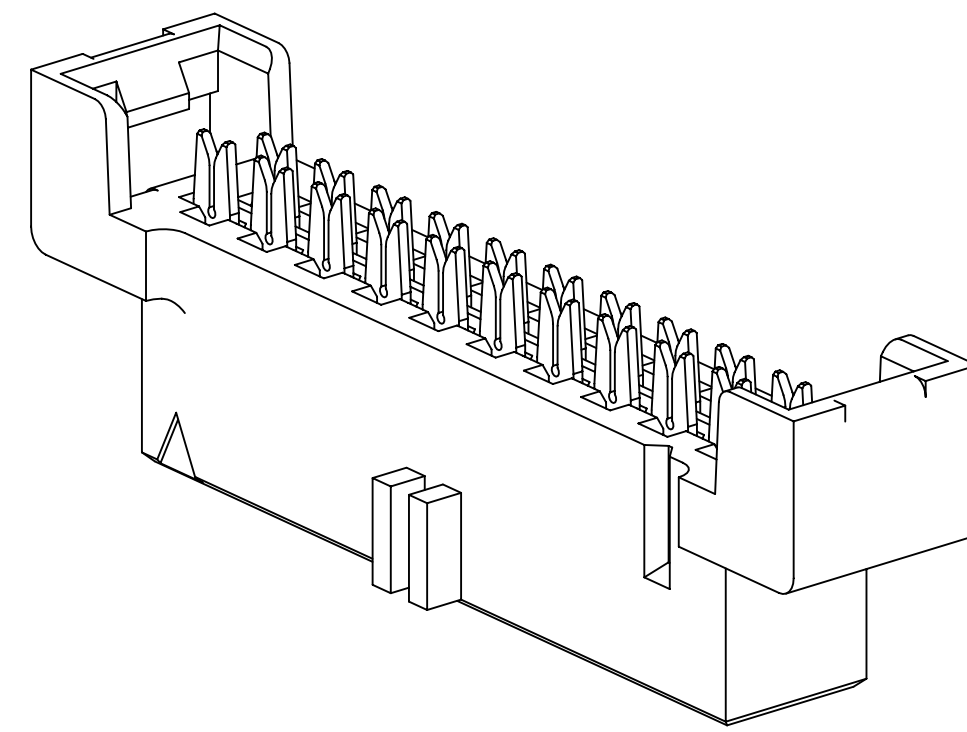


3M™ Ribbon Cable Socket 2 mm X 2 mm Pitch 158 Series

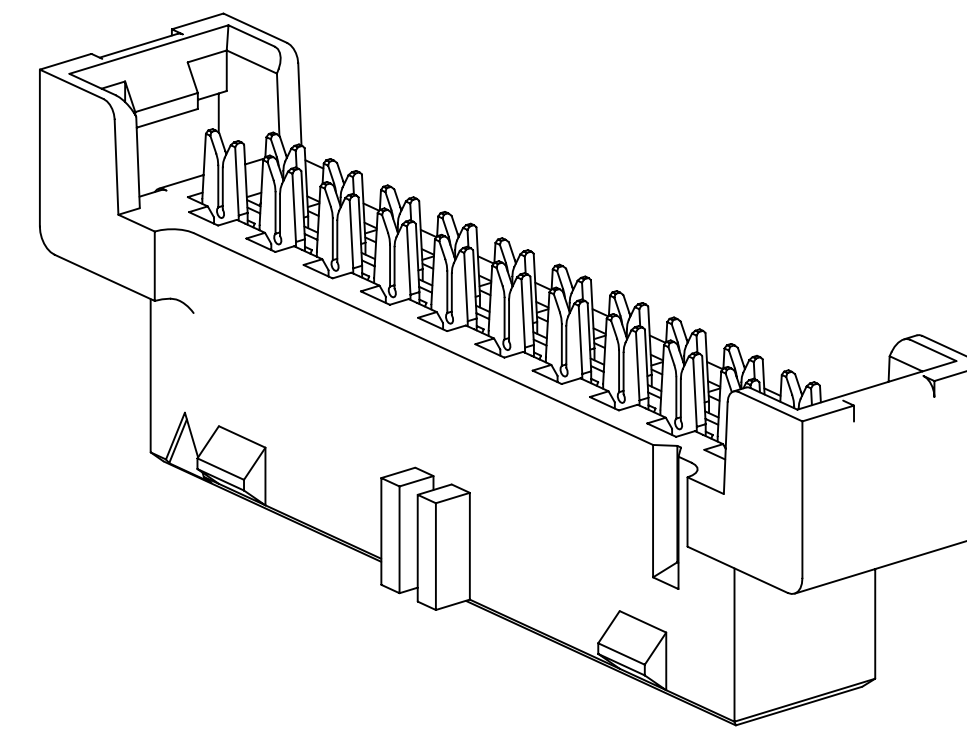
NUMBER OF POSITIONS	DIM A	DIM B	DIM C	DIM D	DIM E	DIM F	DIM G
6	6.39 [.252]	12.64 [.497]	8.98 [.354]	10.81 [.426]	11.32 [.446]	12.64 [.497]	N/A
8	8.39 [.330]	14.64 [.576]	10.98 [.432]	12.81 [.504]	13.32 [.524]	14.64 [.576]	N/A
10	10.39 [.409]	16.64 [.655]	12.98 [.511]	14.81 [.583]	15.32 [.603]	16.64 [.655]	N/A
12	12.39 [.488]	18.64 [.734]	14.98 [.590]	16.81 [.662]	17.32 [.682]	18.64 [.734]	N/A
14	14.39 [.567]	20.64 [.812]	16.98 [.669]	18.81 [.741]	19.32 [.761]	20.64 [.812]	8.00 [.315]
16	16.39 [.645]	22.64 [.891]	18.98 [.747]	20.81 [.819]	21.32 [.839]	22.64 [.891]	10.00 [.394]
20	20.39 [.803]	26.64 [1.049]	22.98 [.905]	24.81 [.977]	25.32 [.997]	26.64 [1.049]	14.00 [.551]
22	22.39 [.882]	28.64 [1.127]	24.98 [.984]	26.81 [1.056]	27.32 [1.076]	28.64 [1.127]	16.00 [.630]
24	24.39 [.960]	30.64 [1.206]	26.98 [1.062]	28.81 [1.134]	29.32 [1.154]	30.64 [1.206]	18.00 [.709]
26	26.39 [1.039]	32.64 [1.285]	28.98 [1.141]	30.81 [1.213]	31.32 [1.233]	32.64 [1.285]	20.00 [.787]
30	30.39 [1.197]	36.64 [1.442]	32.98 [1.299]	34.81 [1.371]	35.32 [1.391]	36.64 [1.442]	24.00 [.945]
34	34.39 [1.354]	40.64 [1.600]	36.98 [1.456]	38.81 [1.528]	39.32 [1.548]	40.64 [1.600]	28.00 [1.102]
40	40.39 [1.590]	46.64 [1.836]	42.98 [1.692]	44.81 [1.764]	45.32 [1.784]	46.64 [1.836]	34.00 [1.339]
44	44.39 [1.748]	50.64 [1.994]	46.98 [1.850]	48.81 [1.922]	49.32 [1.942]	50.64 [1.994]	38.00 [1.496]
50	50.39 [1.984]	56.64 [2.230]	52.98 [2.086]	54.81 [2.158]	55.32 [2.178]	56.64 [2.230]	44.00 [1.732]



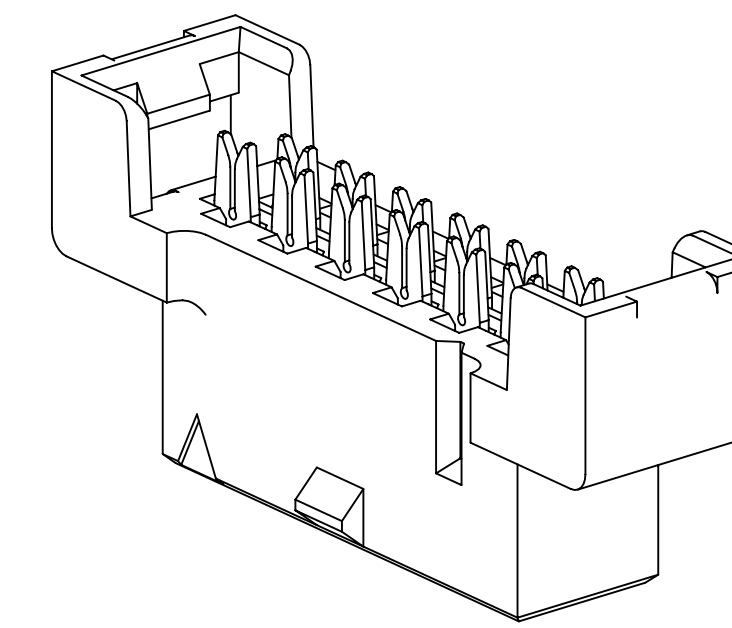
SOCKET WITHOUT OPTIONS
ALL POSITIONS



CENTER BUMP OPTION
ALL POSITIONS



CENTER BUMP WITH
FRICTION BUMP OPTION
14-50 POSITIONS



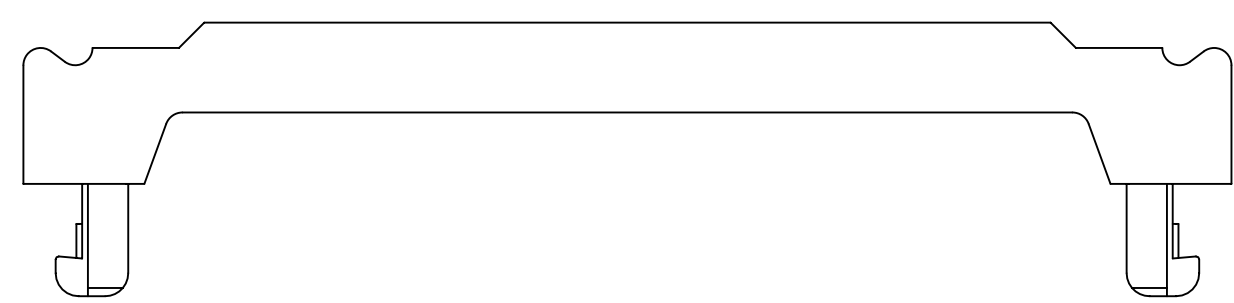
CENTER FRICTION BUMP OPTION
6-12 POSITIONS ONLY

ORDERING INFORMATION

TIER 1 - BEST
1581XX-1X00
 TIER 1 = BEST
 POSITION COUNT (SEE TABLE)
 PART CONFIGURATION 1 = ADHESIVE COVER
 POLARIZATION/LATCHING
 1 = WITH CENTER BUMP, NO FRICTION BUMPS (6-50 POS)
 PLATING BLANK = 0.76 μm [30 μin] GOLD
 PACKAGING 0 = TRAY

TIER 2 - BETTER
1582XX-0X20XX
 TIER 2 = BETTER
 POSITION COUNT (SEE TABLE)
 PART CONFIGURATION 0 = PREASSEMBLED COVER
 POLARIZATION/LATCHING
 0 = NO CENTER BUMP, NO FRICTION BUMPS (6-50 POS)
 1 = WITH CENTER BUMP, NO FRICTION BUMPS, (6-50 POS)
 2 = WITH CENTER BUMP AND DUAL FRICTION BUMPS (14-50 POS ONLY)
 3 = WITH CENTRAL FRICTION BUMP, NO CENTER BUMP (6-12 POS ONLY)
 PLATING BLANK = 0.76 μm [30 μin] GOLD
 15 = 0.38 μm [15 μin] GOLD
 PACKAGING 2 = SWORDS

TIER 3 - VALUE
1583XX-211015
 TIER 3 = VALUE
 POSITION COUNT (SEE TABLE)
 PART CONFIGURATION 2 = SEPARATE COVER
 POLARIZATION/LATCHING
 1 = WITH CENTER BUMP, NO FRICTION BUMPS (6-50 POS)
 PLATING 15 = 0.38 μm [15 μin] GOLD
 PACKAGING 1 = BULK PACK



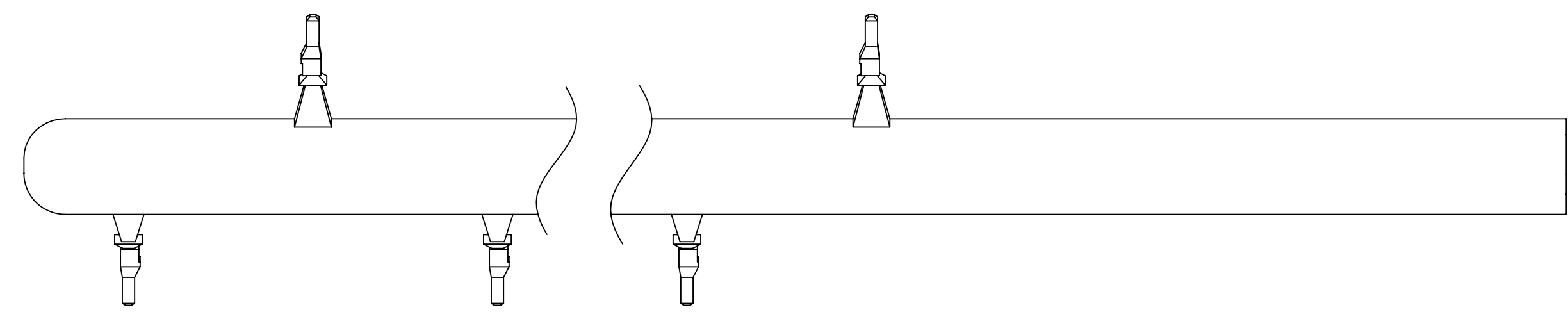
STRAIN RELIEF
3448-158XX
POSITION COUNT (SEE TABLE)

METRIC [ENGLISH]

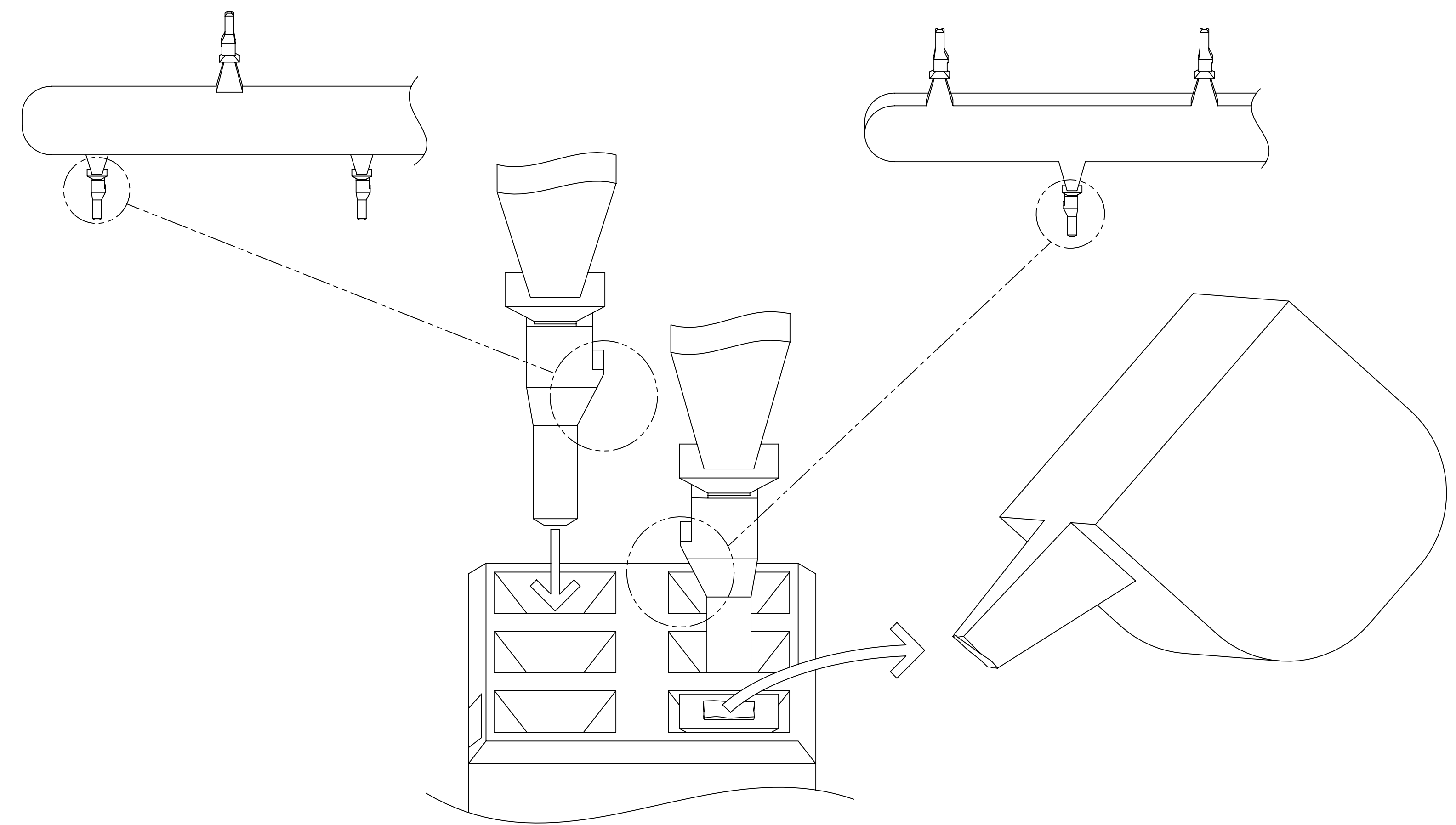
DESIGN REFERENCE	NEXT ASSEMBLY	REV	ECO	ISSUE DATE AND DESCRIPTION	DRFT	CHKD	
		L. SCHMIDT		JUL 23, 2010			
DIVISION		DIVISION CODE		DATE			
DO NOT SCALE DRAWING		SCALE	TOLERANCES EXCEPT AS NOTED		INCHES		
THIRD ANGLE PROJECTION		1	0 ± .00		.000 ± .000		
INTERPRET PER ASME Y14.5 - 2009		MILLIMETERS		0 ± .2		.00 ± .13	
MAX SURFACE ROUGHNESS		.000 ± .005		.000 ± .005		ANGLES ± 1°	
125		ALL SURFACES		MARKED ONLY			
CAGE NUMBER		SIZE	DRAWING NO.	REV.			
D78-5100-2358-9			G				
MODEL		DET		YES		NO	
		SHT		2		OF 3	

© 3M COPYR[IGHT] 2017
 This document and the information it contains are 3M property and may not be reproduced or further distributed without 3M permission, or used or disclosed other than for 3M authorized purposes. All rights reserved.

3M™ Ribbon Cable Socket 2 mm X 2 mm Pitch 158 Series



POLARIZING KEY
3435-152200



POLARIZING KEY ORIENTATION AND INSTALLATION

RIBBON CABLE SOCKET ACCESSORIES

METRIC [ENGLISH]

DESIGN REFERENCE	NEXT ASSEMBLY	REV	ECO	ISSUE DATE AND DESCRIPTION	DRFT	CHKD
		A	30741	OCT 28, 2010 INITIAL RELEASE	LDS	SF
		G	73037	OCT 27, 2017 UPDATED PERFORMANCE TABLE REMOVED REV D,E,F HISTORY	SBC	SAN
DRFT	DATE	DRFT	DATE	DRFT	DATE	DRFT
L. SCHMIDT	JUL 23, 2010	L. SCHMIDT	JUL 23, 2010	L. SCHMIDT	JUL 23, 2010	L. SCHMIDT
CHKD	DATE	CHKD	DATE	CHKD	DATE	CHKD
		S. FELDMAN	JUL 30, 2010	S. FELDMAN	JUL 30, 2010	S. FELDMAN
DIVISION	DIVISION CODE	© 3M COPYRIGHT 2017 This document and the information it contains are 3M property and may not be reproduced or further distributed without 3M permission, or used or disclosed other than for 3M authorized purposes. All rights reserved.				
DO NOT SCALE DRAWING	SCALE 1/1	3M Center St. Paul, MN 55144				
THIRD ANGLE PROJECTION	TOLERANCES EXCEPT AS NOTED	INCHES .00 ± .000 ± .0000 ±				
INTERPRET PER ASME Y14.5 - 2009	MILLIMETERS	0 ±.2 .0 ±.13 .000 ±.005				
MAX SURFACE ROUGHNESS 125	ALL SURFACES	ANGLES ±1°				
<input checked="" type="checkbox"/> MARKED ONLY		TITLE 3M RIBBON CABLE SOCKET 2 MM x 2 MM PITCH 158 SERIES				
		CAGE NUMBER	SIZE	DRAWING NO.	REV.	
		D		78-5100-2358-9	G	
		MODEL			DET	SHT 3 OF 3
					<input type="checkbox"/> YES <input checked="" type="checkbox"/> NO	

3M™ Ribbon Cable Socket 2 mm X 2 mm Pitch 158 Series

Technical Information: The technical information, recommendations and other statements contained in this document are based upon tests or experience that 3M believes are reliable, but the accuracy or completeness of such information is not guaranteed.

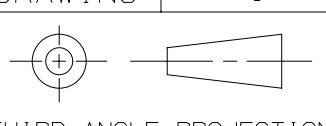
Product Use: Many factors beyond 3M's control and uniquely within user's knowledge and control can affect the use and performance of a 3M product in a particular application. Given the variety of factors that can affect the use and performance of a 3M product, user is solely responsible for evaluating the 3M product and determining whether it is fit for a particular purpose and suitable for user's method of application.

Warranty, Limited Remedy, and Disclaimer: Unless an additional warranty is specifically stated on the applicable 3M product packaging or product literature, 3M warrants that each 3M product meets the applicable 3M product specification at the time 3M ships the product. 3M MAKES NO OTHER WARRANTIES OR CONDITIONS, EXPRESS OR IMPLIED, INCLUDING, BUT NOT LIMITED TO, ANY IMPLIED WARRANTY OR CONDITION OF MERCHANTABILITY OR FITNESS FOR A PARTICULAR PURPOSE OR ANY IMPLIED WARRANTY OR CONDITION ARISING OUT OF A COURSE OF DEALING, CUSTOM OR USAGE OF TRADE. If the 3M product does not conform to this warranty, then the sole and exclusive remedy is, at 3M's option, replacement of the 3M product or refund of the purchase price.

Limitation of Liability: Except where prohibited by law, 3M will not be liable for any loss or damage arising from the 3M product, whether direct, indirect, special, incidental or consequential, regardless of the legal theory asserted, including warranty, contract, negligence or strict liability.

3M ELECTRONICS MATERIALS SOLUTIONS DIVISION
 INTERCONNECT SOLUTIONS
<http://www.3m.com/Interconnect>

3M IS A TRADEMARK OF 3M COMPANY.
 FOR TECHNICAL, SALES OR ORDERING
 INFORMATION CALL 800-225-5373

DESIGN REFERENCE	NEXT ASSEMBLY	REV	ECO	ISSUE DATE AND DESCRIPTION	DRFT	CHKD
		A		OCT 28, 2010 INITIAL RELEASE	LDS	SF
		G	73037	OCT 27, 2017 UPDATED PERFORMANCE TABLE REMOVED REV D,E,F HISTORY	SBC	SAN
APPROVED	DATE	APPROVED	DATE	© 3M COPYRIGHT 2017 This document and the information it contains are 3M property and may not be reproduced or further distributed without 3M permission, or used or disclosed other than for 3M authorized purposes. All rights reserved.		
L. SCHMIDT	JUL 23, 2010	S. FELDMAN	JUL 30, 2010			
DO NOT SCALE DRAWING  THIRD ANGLE PROJECTION		SCALE 1/1 TOLERANCES EXCEPT AS NOTED INCHES .00 ± .000 ± .0000 ±		3M Center St. Paul, MN 55144 TITLE 3M RIBBON CABLE SOCKET 2 MM x 2 MM PITCH 158 SERIES		
INTERPRET PER ASME Y14.5 - 2009 MAX SURFACE ROUGHNESS 125 <input type="checkbox"/> ALL SURFACES <input checked="" type="checkbox"/> MARKED ONLY		MILLIMETERS 0 ±.2 .0 ±.13 .000 ±.005 ANGLES ±1°		CAGE NUMBER DRAWING NO. D 78-5100-2358-9 MODEL DET. <input type="checkbox"/> YES <input checked="" type="checkbox"/> NO SHT 3 OF 3		

78-5100-2358-9 DRAWING NUMBER
 6 REVISION
 Drr-set
 Standard Time 10/27/2017 UTC