

ON Semiconductor

Is Now

onsemi™

To learn more about onsemi™, please visit our website at
www.onsemi.com

onsemi and **onsemi** and other names, marks, and brands are registered and/or common law trademarks of Semiconductor Components Industries, LLC dba "**onsemi**" or its affiliates and/or subsidiaries in the United States and/or other countries. **onsemi** owns the rights to a number of patents, trademarks, copyrights, trade secrets, and other intellectual property. A listing of **onsemi** product/patent coverage may be accessed at www.onsemi.com/site/pdf/Patent-Marking.pdf. **onsemi** reserves the right to make changes at any time to any products or information herein, without notice. The information herein is provided "as-is" and **onsemi** makes no warranty, representation or guarantee regarding the accuracy of the information, product features, availability, functionality, or suitability of its products for any particular purpose, nor does **onsemi** assume any liability arising out of the application or use of any product or circuit, and specifically disclaims any and all liability, including without limitation special, consequential or incidental damages. Buyer is responsible for its products and applications using **onsemi** products, including compliance with all laws, regulations and safety requirements or standards, regardless of any support or applications information provided by **onsemi**. "Typical" parameters which may be provided in **onsemi** data sheets and/or specifications can and do vary in different applications and actual performance may vary over time. All operating parameters, including "Typicals" must be validated for each customer application by customer's technical experts. **onsemi** does not convey any license under any of its intellectual property rights nor the rights of others. **onsemi** products are not designed, intended, or authorized for use as a critical component in life support systems or any FDA Class 3 medical devices or medical devices with a same or similar classification in a foreign jurisdiction or any devices intended for implantation in the human body. Should Buyer purchase or use **onsemi** products for any such unintended or unauthorized application, Buyer shall indemnify and hold **onsemi** and its officers, employees, subsidiaries, affiliates, and distributors harmless against all claims, costs, damages, and expenses, and reasonable attorney fees arising out of, directly or indirectly, any claim of personal injury or death associated with such unintended or unauthorized use, even if such claim alleges that **onsemi** was negligent regarding the design or manufacture of the part. **onsemi** is an Equal Opportunity/Affirmative Action Employer. This literature is subject to all applicable copyright laws and is not for resale in any manner. Other names and brands may be claimed as the property of others.

Configurable Multifunction Gate

NL7SZ58

The NL7SZ58 is an advanced high-speed CMOS multifunction gate. The device allows the user to choose logic functions AND, OR, NAND, NOR, XOR, INVERT and BUFFER.

Features

- Designed for 1.65 V to 5.5 V V_{CC} Operation
- 3.3 ns t_{PD} at $V_{CC} = 5$ V (Typ)
- Inputs/Outputs Overvoltage Tolerant up to 5.5 V
- I_{OFF} Supports Partial Power Down Protection
- Sink 24 mA at 3.0 V
- Available in SC-88, SC-74 and UDFN6 Packages
- Chip Complexity < 100 FETs
- NLV Prefix for Automotive and Other Applications Requiring Unique Site and Control Change Requirements; AEC-Q100 Qualified and PPAP Capable
- These Devices are Pb-Free, Halogen Free/BFR Free and are RoHS Compliant



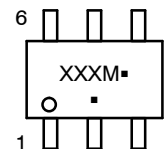
ON Semiconductor®

www.onsemi.com

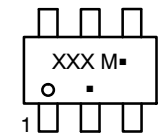
MARKING DIAGRAMS



SC-88
CASE 419B-02



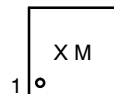
SC-74
CASE 318F-05



UDFN6, 1.45x1.0, 0.5P
CASE 517AQ



UDFN6, 1x1, 0.35P
CASE 517BX



XXX = Specific Device Code

M = Date Code*

▪ = Pb-Free Package

(Note: Microdot may be in either location)

*Date Code orientation and/or position may vary depending upon manufacturing location.

ORDERING INFORMATION

See detailed ordering and shipping information in the package dimensions section on page 8 of this data sheet.

NL7SZ58

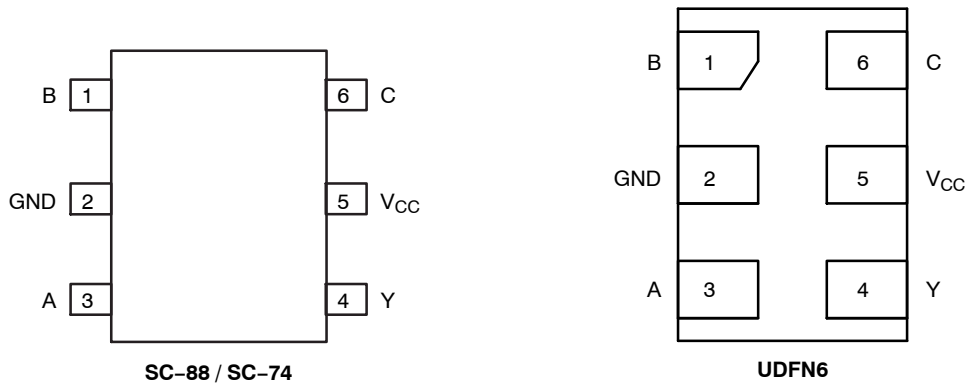


Figure 1. Pinout (Top View)

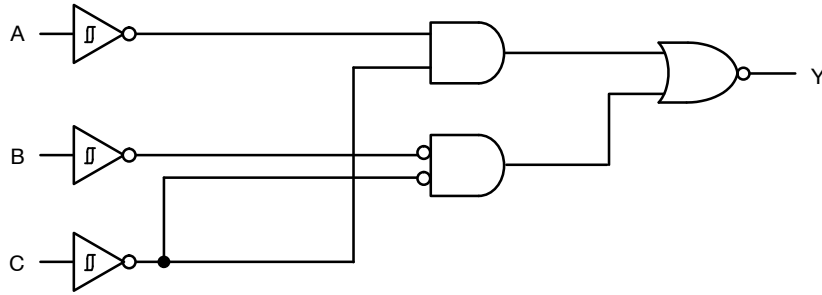


Figure 2. Function Diagram

PIN ASSIGNMENT

| Pin | Function |
|-----|-----------------|
| 1 | B |
| 2 | GND |
| 3 | A |
| 4 | Y |
| 5 | V _{CC} |
| 6 | C |

FUNCTION TABLE*

| Input | | | Output |
|-------|---|---|--------|
| A | B | C | Y |
| L | L | L | L |
| L | L | H | H |
| L | H | L | L |
| L | H | H | L |
| H | L | L | H |
| H | L | H | H |
| H | H | L | H |
| H | H | H | L |

*To select a logic function, please refer to "Logic Configurations section".

NL7SZ58

LOGIC CONFIGURATIONS

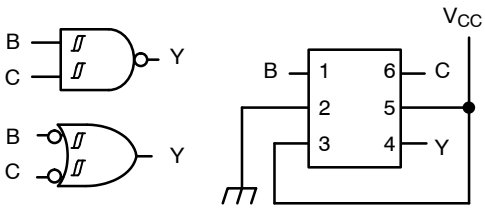


Figure 3. 2-Input NAND (When A = "H")

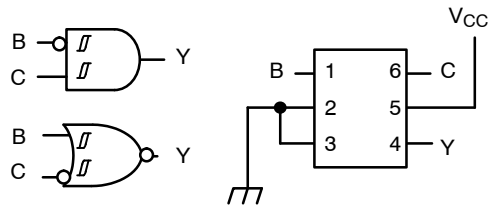


Figure 4. 2-Input AND with Input B Inverted (When A = "L")

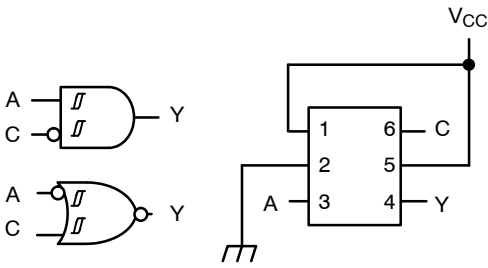


Figure 5. 2-Input AND with Input C Inverted (When B = "H")

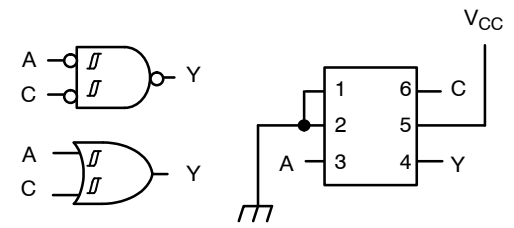


Figure 6. 2-Input OR (When B = "L")

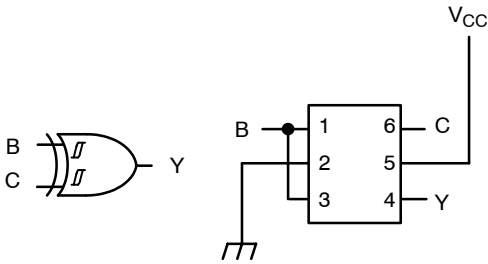


Figure 7. 2-Input XOR (When A = B)

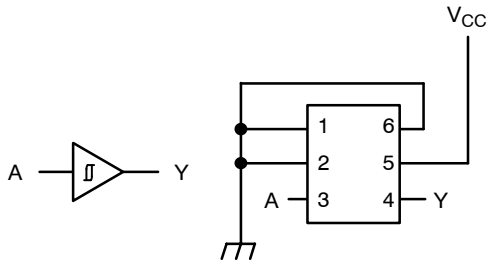


Figure 8. Buffer (When B = C = "L")

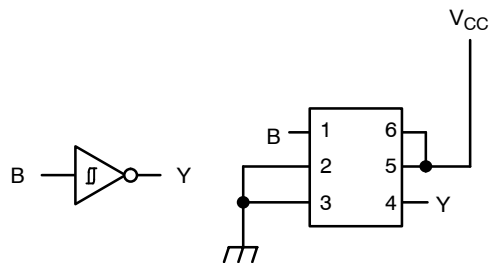


Figure 9. Inverter (When A = "L" and C = "H")

NL7SZ58

MAXIMUM RATINGS

| Symbol | Parameter | Value | Unit | |
|-----------------------|---|--|-------------|---------------|
| V_{CC} | DC Supply Voltage SC-88 (NLV) SC-88, SC-74, UDFN6 | -0.5 to +7.0 -0.5 to +6.5 | V | |
| V_{IN} | DC Input Voltage SC-88 (NLV) SC-88, SC-74, UDFN6 | -0.5 to +7.0 -0.5 to +6.5 | V | |
| V_{OUT} | DC Output Voltage SC-88 (NLV) Active-Mode (High or Low State) Tri-State Mode (Note 1) Power-Down Mode ($V_{CC} = 0$ V) | -0.5 to $V_{CC} + 0.5$ -0.5 to +7.0 -0.5 to +7.0 | V | |
| | DC Output Voltage SC-88, SC-74, UDFN6 Active-Mode (High or Low State) Tri-State Mode (Note 1) Power-Down Mode ($V_{CC} = 0$ V) | -0.5 to $V_{CC} + 0.5$ -0.5 to +6.5 -0.5 to +6.5 | V | |
| I_{IK} | DC Input Diode Current $V_{IN} < GND$ | -50 | mA | |
| I_{OK} | DC Output Diode Current $V_{OUT} < GND$ | -50 | mA | |
| I_{OUT} | DC Output Source/Sink Current | ± 50 | mA | |
| I_{CC} or I_{GND} | DC Supply Current per Supply Pin or Ground Pin | ± 100 | mA | |
| T_{STG} | Storage Temperature Range | -65 to +150 | $^{\circ}C$ | |
| T_L | Lead Temperature, 1 mm from Case for 10 Secs | 260 | $^{\circ}C$ | |
| T_J | Junction Temperature Under Bias | +150 | $^{\circ}C$ | |
| θ_{JA} | Thermal Resistance (Note 2) | SC-88 | 377 | $^{\circ}C/W$ |
| | | SC-74 | 320 | |
| | | UDFN6 | 154 | |
| P_D | Power Dissipation in Still Air | SC-88 | 332 | mW |
| | | SC-74 | 390 | |
| | | UDFN6 | 812 | |
| MSL | Moisture Sensitivity | Level 1 | | |
| F_R | Flammability Rating Oxygen Oxygen Index: 28 to 34 | UL 94 V-0 @ 0.125 in | | |
| V_{ESD} | ESD Withstand Voltage (Note 3) Human Body Mode Charged Device Model (NLV) Charged Device Model | >2000 | V | |
| | | >200 | | |
| | | N/A | | |
| $I_{LATCHUP}$ | Latchup Performance (Note 4) (NLV) | ± 500 ± 100 | mA | |

Stresses exceeding those listed in the Maximum Ratings table may damage the device. If any of these limits are exceeded, device functionality should not be assumed, damage may occur and reliability may be affected.

1. Applicable to devices with outputs that may be tri-stated.
2. Measured with minimum pad spacing on an FR4 board, using 10 mm-by-1 inch, 2 ounce copper trace no air flow per JESD51-7.
3. CDM tested to EIA/JESD22-C101-F. JEDEC recommends that ESD qualification to EIA/JESD22-A115-A (Machine Model) be discontinued per JEDEC/JEP172A.
4. Tested to EIA/JESD78 Class II.

RECOMMENDED OPERATING CONDITIONS

| Symbol | Parameter | Min | Max | Unit |
|------------|---|------|----------|-------------|
| V_{CC} | Positive DC Supply Voltage | 1.65 | 5.5 | V |
| V_{IN} | DC Input Voltage | 0 | 5.5 | V |
| V_{OUT} | DC Output Voltage Active-Mode (High or Low State) Tri-State Mode (Note 1) Power-Down Mode ($V_{CC} = 0$ V) | 0 | 5.5 | V |
| | | | | |
| T_A | Operating Free-Air Temperature | -55 | +125 | $^{\circ}C$ |
| t_r, t_f | Input Rise or Fall Rate $V_{CC} = 1.65$ V to 1.95 V $V_{CC} = 2.3$ V to 2.7 V $V_{CC} = 3.0$ V to 3.6 V $V_{CC} = 4.5$ V to 5.5 V | 0 | No Limit | nS/V |
| | | 0 | No Limit | |
| | | 0 | No Limit | |
| | | 0 | No Limit | |

Functional operation above the stresses listed in the Recommended Operating Ranges is not implied. Extended exposure to stresses beyond the Recommended Operating Ranges limits may affect device reliability.

NL7SZ58

DC ELECTRICAL CHARACTERISTICS

| Symbol | Parameter | Condition | V _{CC} (V) | T _A = 25°C | | | -40°C ≤ T _A ≤ 85°C | | -55°C ≤ T _A ≤ 125°C | | Unit |
|------------------|---|---|------------------------|-----------------------|-----------------|------|-------------------------------|------|--------------------------------|------|------|
| | | | | Min | Typ | Max | Min | Max | Min | Max | |
| V _{T+} | Positive Input Threshold Voltage | | 1.65 | - | - | 1.4 | - | 1.4 | - | 1.4 | V |
| | | | 2.3 | - | - | 1.8 | - | 1.8 | - | 1.8 | |
| | | | 3.0 | - | - | 2.2 | - | 2.2 | - | 2.2 | |
| | | | 4.5 | - | - | 3.1 | - | 3.1 | - | 3.1 | |
| | | | 5.5 | - | - | 3.6 | - | 3.6 | - | 3.6 | |
| V _{T-} | Negative Input Threshold Voltage | | 1.65 | 0.2 | - | - | 0.2 | - | 0.2 | - | V |
| | | | 2.3 | 0.4 | - | - | 0.4 | - | 0.4 | - | |
| | | | 3.0 | 0.6 | - | - | 0.6 | - | 0.6 | - | |
| | | | 4.5 | 1.0 | - | - | 1.0 | - | 1.0 | - | |
| | | | 5.5 | 1.2 | - | - | 1.2 | - | 1.2 | - | |
| V _H | Input Hysteresis Voltage | | 1.65 | 0.1 | 0.48 | 0.9 | 0.1 | 0.9 | 0.1 | 0.9 | V |
| | | | 2.3 | 0.25 | 0.75 | 1.1 | 0.25 | 1.1 | 0.25 | 1.1 | |
| | | | 3 | 0.4 | 0.93 | 1.2 | 0.4 | 1.2 | 0.4 | 1.2 | |
| | | | 4.5 | 0.6 | 1.2 | 1.5 | 0.6 | 1.5 | 0.6 | 1.5 | |
| | | | 5.5 | 0.7 | 1.4 | 1.7 | 0.7 | 1.7 | 0.7 | 1.7 | |
| V _{OH} | High-Level Output Voltage V _{IN} = V _{IH} or V _{IL} | I _{OH} = -50 μA | 1.65 to 5.5 | V _{CC} - 0.1 | V _{CC} | - | V _{CC} - 0.1 | - | V _{CC} - 0.1 | - | V |
| | | I _{OH} = -4 mA | 1.65 | 1.20 | 1.52 | - | 1.20 | - | 1.20 | - | |
| | | I _{OH} = -8 mA | 2.3 | 1.9 | 2.1 | - | 1.9 | - | 1.9 | - | |
| | | I _{OH} = -16 mA | 3 | 2.4 | 2.7 | - | 2.4 | - | 2.4 | - | |
| | | I _{OH} = -24 mA | 3 | 2.3 | 2.5 | - | 2.3 | - | 2.3 | - | |
| | | I _{OH} = -32 mA | 4.5 | 3.8 | 4 | - | 3.8 | - | 3.8 | - | |
| V _{OL} | Low-Level Output Voltage V _{IN} = V _{IH} or V _{IL} | I _{OL} = 100 μA | 1.65 to 5.5 | - | - | 0.1 | - | 0.1 | - | 0.1 | V |
| | | I _{OL} = 4 mA | 1.65 | - | 0.08 | 0.45 | - | 0.45 | - | 0.45 | |
| | | I _{OL} = 8 mA | 2.3 | - | 0.2 | 0.3 | - | 0.3 | - | 0.4 | |
| | | I _{OL} = 16 mA | 3 | - | 0.28 | 0.4 | - | 0.4 | - | 0.5 | |
| | | I _{OL} = 24 mA | 3 | - | 0.38 | 0.55 | - | 0.55 | - | 0.55 | |
| | | I _{OL} = 32 mA | 4.5 | - | 0.42 | 0.55 | - | 0.55 | - | 0.65 | |
| I _{IN} | Input Leakage Current | V _{IN} = 5.5 V or GND | 1.65 to 5.5 | - | - | +0.1 | - | +1.0 | - | +1.0 | μA |
| I _{OFF} | Power Off Leakage Current | V _{IN} = 5.5 V or V _{OUT} = 5.5 V | 0 | - | - | 1.0 | - | 10 | - | 10 | μA |
| I _{CC} | Quiescent Supply Current | V _{IN} = 5.5 V or GND | 5.5 | - | - | 1.0 | - | 10 | - | 10 | μA |

Product parametric performance is indicated in the Electrical Characteristics for the listed test conditions, unless otherwise noted. Product performance may not be indicated by the Electrical Characteristics if operated under different conditions.

NL7SZ58

AC ELECTRICAL CHARACTERISTICS

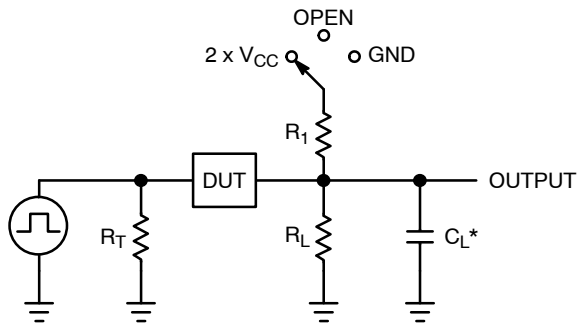
| Symbol | Parameter | Condition | V _{CC} (V) | T _A = 25°C | | | -40°C ≤ T _A ≤ 85°C | | -55°C ≤ T _A ≤ 125°C | | Unit |
|--|---|---|---------------------|-----------------------|-----|------|-------------------------------|------|--------------------------------|------|------|
| | | | | Min | Typ | Max | Min | Max | Min | Max | |
| t _{PLH} , t _{PHL} | Propagation Delay, (A or B or C) to Y (Figures 10 and 11) | R _L = 1 kΩ, C _L = 30 pF | 1.65 to 1.95 | - | 8.6 | 14.4 | - | 14.4 | - | 14.4 | ns |
| | | R _L = 500 Ω, C _L = 30 pF | 2.3 to 2.7 | - | 5.1 | 8.3 | - | 8.3 | - | 8.3 | |
| | | R _L = 500 Ω, C _L = 50 pF | 3.0 to 3.6 | - | 3.9 | 6.3 | - | 6.3 | - | 6.3 | |
| | | | 4.5 to 5.5 | - | 3.3 | 5.1 | - | 5.1 | - | 5.1 | |

CAPACITIVE CHARACTERISTICS

| Symbol | Parameter | Condition | Typical | Unit |
|------------------|--|--|------------|------|
| C _{IN} | Input Capacitance | V _{CC} = 5.5 V, V _{IN} = 0 V or V _{CC} | 2.5 | pF |
| C _{OUT} | Output Capacitance | V _{CC} = 5.5 V, V _{IN} = 0 V or V _{CC} | 4.0 | pF |
| C _{PD} | Power Dissipation Capacitance (Note 5) | 10 MHz, V _{CC} = 3.3 V, V _{IN} = 0 V or V _{CC} 10 MHz, V _{CC} = 5.0 V, V _{IN} = 0 V or V _{CC} | 16 19.5 | pF |

5. C_{PD} is defined as the value of the internal equivalent capacitance which is calculated from the operating current consumption without load. Average operating current can be obtained by the equation: I_{CC(OPR)} = C_{PD} • V_{CC} • f_{in} + I_{CC}. C_{PD} is used to determine the no-load dynamic power consumption; P_D = C_{PD} • V_{CC}² • f_{in} + I_{CC} • V_{CC}.

NL7SZ58



C_L includes probe and jig capacitance
 R_T is Z_{OUT} of pulse generator (typically 50 Ω)
 $f = 1$ MHz

Figure 10. Test Circuit

| Test | Switch Position | C_L , pF | R_L , Ω | R_1 , Ω |
|---------------------|-------------------|------------------------------|------------------|------------------|
| t_{PLH} / t_{PHL} | Open | See AC Characteristics Table | | |
| t_{PLZ} / t_{PZL} | $2 \times V_{CC}$ | 50 | 500 | 500 |
| t_{PHZ} / t_{PZH} | GND | 50 | 500 | 500 |

X = Don't Care

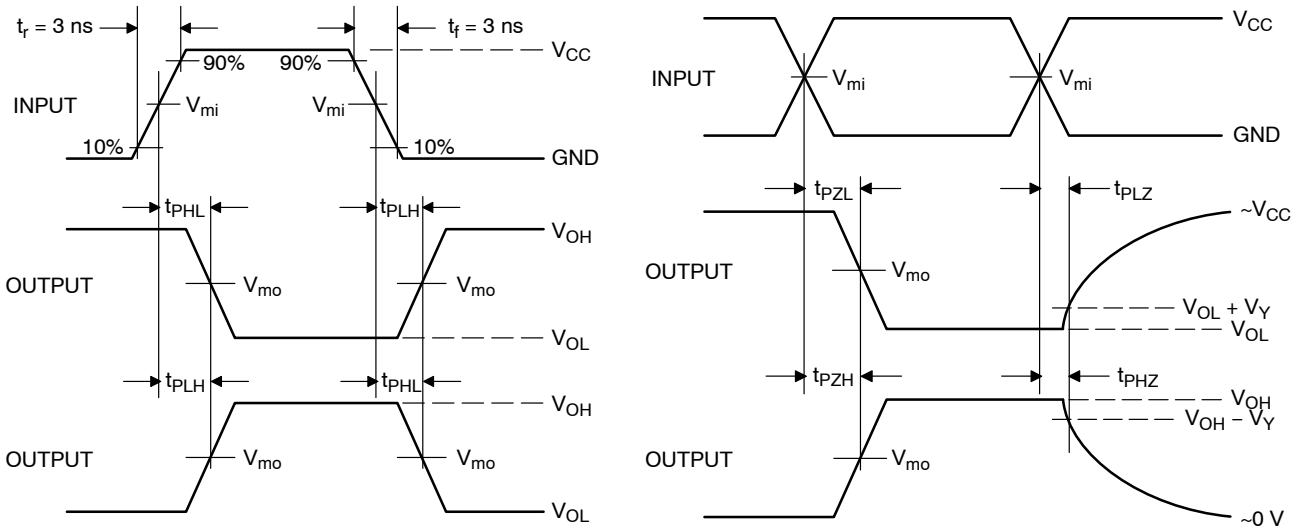


Figure 11. Switching Waveforms

| V_{CC} , V | V_{mi} , V | V_{mo} , V | | V_y , V |
|--------------|--------------|-----------------------|---|-----------|
| | | t_{PLH} , t_{PHL} | t_{PZL} , t_{PLZ} , t_{PZH} , t_{PHZ} | |
| 1.65 to 1.95 | $V_{CC} / 2$ | $V_{CC} / 2$ | $V_{CC} / 2$ | 0.15 |
| 2.3 to 2.7 | $V_{CC} / 2$ | $V_{CC} / 2$ | $V_{CC} / 2$ | 0.15 |
| 3.0 to 3.6 | $V_{CC} / 2$ | $V_{CC} / 2$ | $V_{CC} / 2$ | 0.3 |
| 4.5 to 5.5 | $V_{CC} / 2$ | $V_{CC} / 2$ | $V_{CC} / 2$ | 0.3 |

NL7SZ58

ORDERING INFORMATION

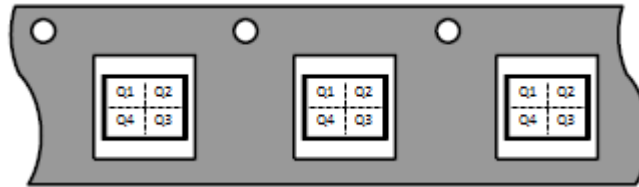
| Device | Package | Specific Device Code | Pin 1 Orientation (See below) | Shipping [†] |
|-----------------------------------|--------------------------------------|----------------------|----------------------------------|-----------------------|
| NL7SZ58DFT2G | SC-88 (Pb-Free) | MM | Q4 | 3000 / Tape & Reel |
| NLV7SZ58DFT2G* | SC-88 (Pb-Free) | MM | Q4 | 3000 / Tape & Reel |
| NL7SZ58DBVT1G | SC-74 (Pb-Free) | AM | Q4 | 3000 / Tape & Reel |
| NL7SZ58MU1TCG (In Development) | UDFN6, 1.45 x 1.0, 0.5P (Pb-Free) | TBD | Q4 | 3000 / Tape & Reel |
| NL7SZ58MU3TCG (In Development) | UDFN6, 1.0 x 1.0, 0.35P (Pb-Free) | TBD | Q4 | 3000 / Tape & Reel |

†For information on tape and reel specifications, including part orientation and tape sizes, please refer to our Tape and Reel Packaging Specifications Brochure, BRD8011/D.

*NLV Prefix for Automotive and Other Applications Requiring Unique Site and Control Change Requirements; AEC-Q101 Qualified and PPAP Capable.

Pin 1 Orientation in Tape and Reel

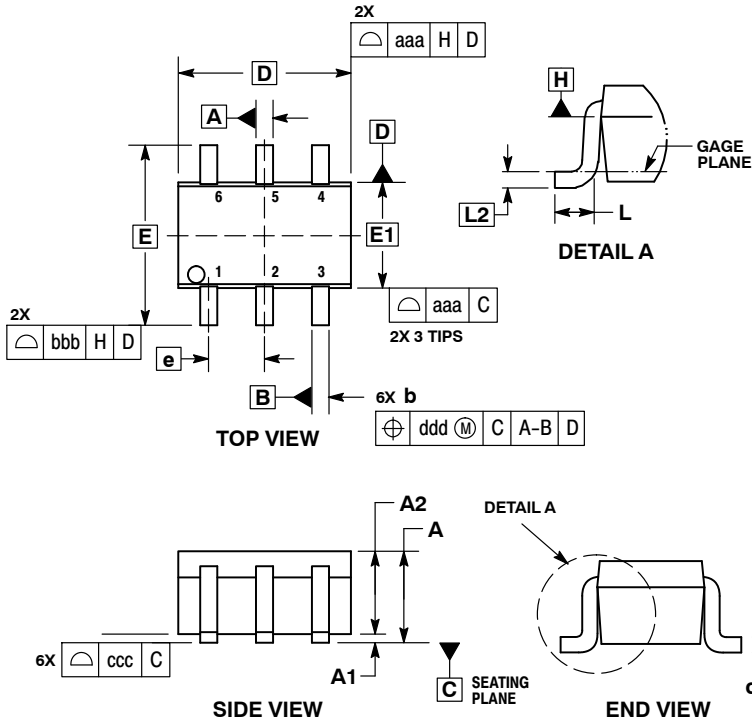
Direction of Feed



NL7SZ58

PACKAGE DIMENSIONS

SC-88/SC70-6/SOT-363
CASE 419B-02
ISSUE Y

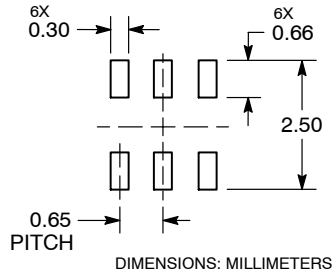


NOTES:

1. DIMENSIONING AND TOLERANCING PER ASME Y14.5M, 1994.
2. CONTROLLING DIMENSION: MILLIMETERS.
3. DIMENSIONS D AND E1 DO NOT INCLUDE MOLD FLASH, PROTRUSIONS, OR GATE BURRS. MOLD FLASH, PROTRUSIONS, OR GATE BURRS SHALL NOT EXCEED 0.20 PER END.
4. DIMENSIONS D AND E1 AT THE OUTERMOST EXTREMES OF THE PLASTIC BODY AND DATUM H.
5. DATUMS A AND B ARE DETERMINED AT DATUM H.
6. DIMENSIONS b AND c APPLY TO THE FLAT SECTION OF THE LEAD BETWEEN 0.08 AND 0.15 FROM THE TIP.
7. DIMENSION b DOES NOT INCLUDE DAMBAR PROTRUSION. ALLOWABLE DAMBAR PROTRUSION SHALL BE 0.08 TOTAL IN EXCESS OF DIMENSION b AT MAXIMUM MATERIAL CONDITION. THE DAMBAR CANNOT BE LOCATED ON THE LOWER RADIUS OF THE FOOT.

| DIM | MILLIMETERS | | | INCHES | | |
|-----|-------------|------|------|-----------|-------|-------|
| | MIN | NOM | MAX | MIN | NOM | MAX |
| A | --- | --- | 1.10 | --- | --- | 0.043 |
| A1 | 0.00 | --- | 0.10 | 0.000 | --- | 0.004 |
| A2 | 0.70 | 0.90 | 1.00 | 0.027 | 0.035 | 0.039 |
| b | 0.15 | 0.20 | 0.25 | 0.006 | 0.008 | 0.010 |
| C | 0.08 | 0.15 | 0.22 | 0.003 | 0.006 | 0.009 |
| D | 1.80 | 2.00 | 2.20 | 0.070 | 0.078 | 0.086 |
| E | 2.00 | 2.10 | 2.20 | 0.078 | 0.082 | 0.086 |
| E1 | 1.15 | 1.25 | 1.35 | 0.045 | 0.049 | 0.053 |
| e | 0.65 BSC | | | 0.026 BSC | | |
| L | 0.26 | 0.36 | 0.46 | 0.010 | 0.014 | 0.018 |
| L2 | 0.15 BSC | | | 0.006 BSC | | |
| aaa | 0.15 | | | 0.006 | | |
| bbb | 0.30 | | | 0.012 | | |
| ccc | 0.10 | | | 0.004 | | |
| ddd | 0.10 | | | 0.004 | | |

RECOMMENDED SOLDERING FOOTPRINT*

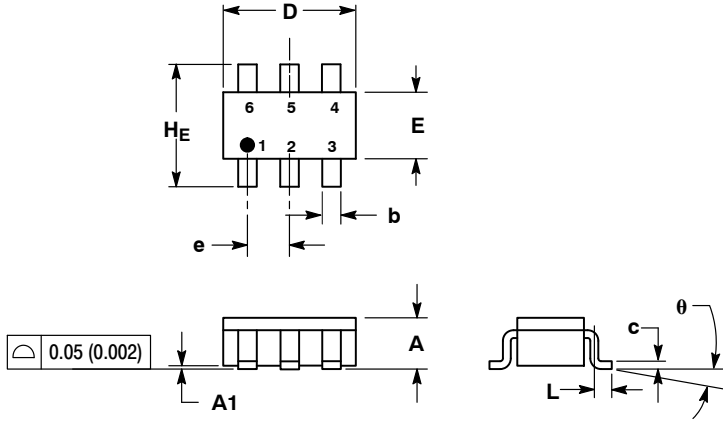


*For additional information on our Pb-Free strategy and soldering details, please download the ON Semiconductor Soldering and Mounting Techniques Reference Manual, SOLDERRM/D.

NL7SZ58

PACKAGE DIMENSIONS

SC-74
CASE 318F-05
ISSUE N

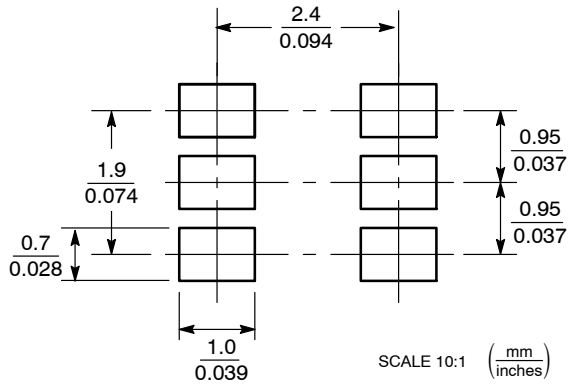


NOTES:

1. DIMENSIONING AND TOLERANCING PER ANSI Y14.5M, 1982.
2. CONTROLLING DIMENSION: INCH.
3. MAXIMUM LEAD THICKNESS INCLUDES LEAD FINISH THICKNESS. MINIMUM LEAD THICKNESS IS THE MINIMUM THICKNESS OF BASE MATERIAL.
4. 318F-01, -02, -03, -04 OBSOLETE. NEW STANDARD 318F-05.

| DIM | MILLIMETERS | | | INCHES | | |
|-----|-------------|------|------|--------|-------|-------|
| | MIN | NOM | MAX | MIN | NOM | MAX |
| A | 0.90 | 1.00 | 1.10 | 0.035 | 0.039 | 0.043 |
| A1 | 0.01 | 0.06 | 0.10 | 0.001 | 0.002 | 0.004 |
| b | 0.25 | 0.37 | 0.50 | 0.010 | 0.015 | 0.020 |
| c | 0.10 | 0.18 | 0.26 | 0.004 | 0.007 | 0.010 |
| D | 2.90 | 3.00 | 3.10 | 0.114 | 0.118 | 0.122 |
| E | 1.30 | 1.50 | 1.70 | 0.051 | 0.059 | 0.067 |
| e | 0.85 | 0.95 | 1.05 | 0.034 | 0.037 | 0.041 |
| L | 0.20 | 0.40 | 0.60 | 0.008 | 0.016 | 0.024 |
| HE | 2.50 | 2.75 | 3.00 | 0.099 | 0.108 | 0.118 |
| θ | 0° | - | 10° | 0° | - | 10° |

SOLDERING FOOTPRINT*

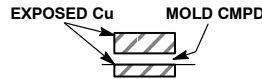
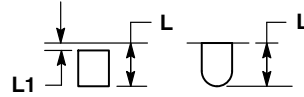
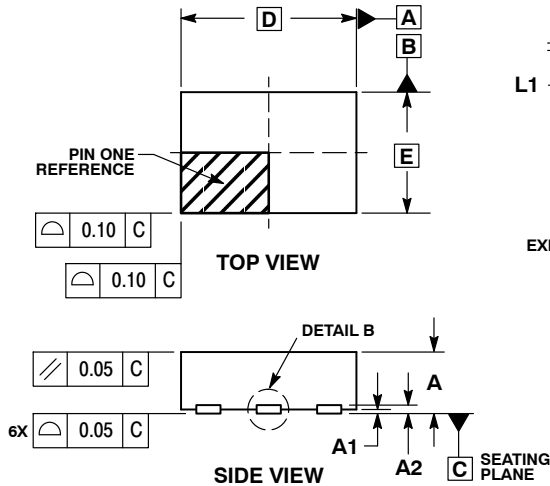


*For additional information on our Pb-Free strategy and soldering details, please download the ON Semiconductor Soldering and Mounting Techniques Reference Manual, SOLDERRM/D.

NL7SZ58

PACKAGE DIMENSIONS

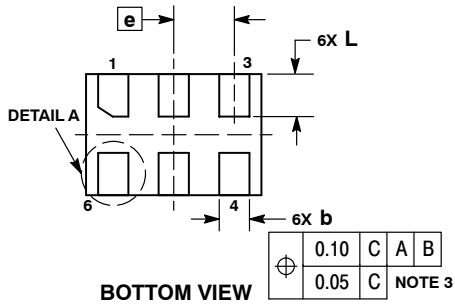
UDFN6, 1.45x1.0, 0.5P
CASE 517AQ
ISSUE O



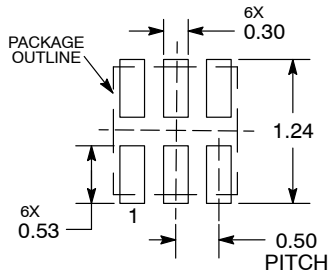
NOTES:

1. DIMENSIONING AND TOLERANCING PER ASME Y14.5M, 1994.
2. CONTROLLING DIMENSION: MILLIMETERS.
3. DIMENSION b APPLIES TO PLATED TERMINAL AND IS MEASURED BETWEEN 0.15 AND 0.30 mm FROM THE TERMINAL TIP.

| MILLIMETERS | | |
|-------------|------|------|
| DIM | MIN | MAX |
| A | 0.45 | 0.55 |
| A1 | 0.00 | 0.05 |
| A2 | 0.07 | REF |
| b | 0.20 | 0.30 |
| D | 1.45 | BSC |
| E | 1.00 | BSC |
| e | 0.50 | BSC |
| L | 0.30 | 0.40 |
| L1 | --- | 0.15 |



MOUNTING FOOTPRINT



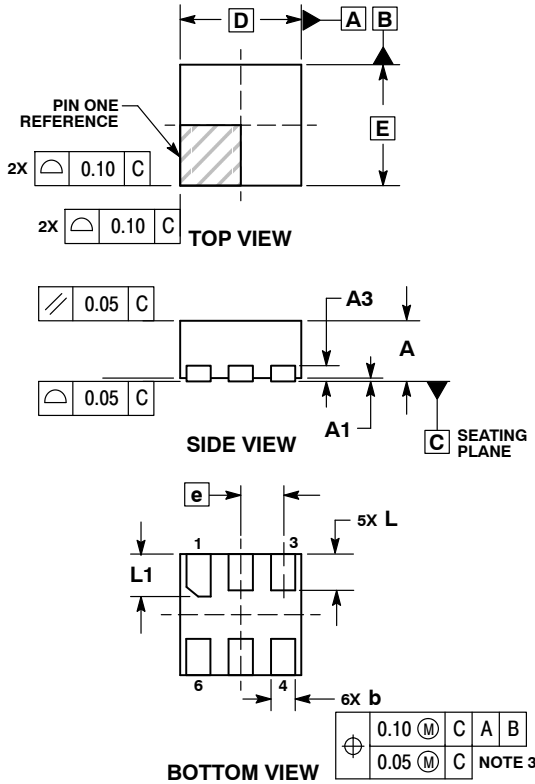
DIMENSIONS: MILLIMETERS

*For additional information on our Pb-Free strategy and soldering details, please download the ON Semiconductor Soldering and Mounting Techniques Reference Manual, SOLDERRM/D.

NL7SZ58

PACKAGE DIMENSIONS

UDFN6, 1x1, 0.35P
CASE 517BX
ISSUE O

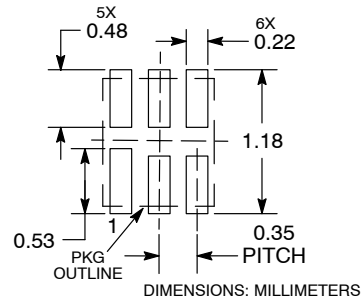


NOTES:

1. DIMENSIONING AND TOLERANCING PER ASME Y14.5M, 1994.
2. CONTROLLING DIMENSION: MILLIMETERS.
3. DIMENSION b APPLIES TO PLATED TERMINAL AND IS MEASURED BETWEEN 0.15 AND 0.20 MM FROM TERMINAL TIP.
4. PACKAGE DIMENSIONS EXCLUSIVE OF BURRS AND MOLD FLASH.

| DIM | MILLIMETERS | |
|-----|-------------|------|
| | MIN | MAX |
| A | 0.45 | 0.55 |
| A1 | 0.00 | 0.05 |
| A3 | 0.13 | REF |
| b | 0.12 | 0.22 |
| D | 1.00 | BSC |
| E | 1.00 | BSC |
| e | 0.35 | BSC |
| L | 0.25 | 0.35 |
| L1 | 0.30 | 0.40 |

RECOMMENDED SOLDERING FOOTPRINT*



*For additional information on our Pb-Free strategy and soldering details, please download the ON Semiconductor Soldering and Mounting Techniques Reference Manual, SOLDERRM/D.

ON Semiconductor and are trademarks of Semiconductor Components Industries, LLC dba ON Semiconductor or its subsidiaries in the United States and/or other countries. ON Semiconductor owns the rights to a number of patents, trademarks, copyrights, trade secrets, and other intellectual property. A listing of ON Semiconductor's product/patent coverage may be accessed at www.onsemi.com/site/pdf/Patent-Marketing.pdf. ON Semiconductor reserves the right to make changes without further notice to any products herein. ON Semiconductor makes no warranty, representation or guarantee regarding the suitability of its products for any particular purpose, nor does ON Semiconductor assume any liability arising out of the application or use of any product or circuit, and specifically disclaims any and all liability, including without limitation special, consequential or incidental damages. Buyer is responsible for its products and applications using ON Semiconductor products, including compliance with all laws, regulations and safety requirements or standards, regardless of any support or applications information provided by ON Semiconductor. "Typical" parameters which may be provided in ON Semiconductor data sheets and/or specifications can and do vary in different applications and actual performance may vary over time. All operating parameters, including "Typicals" must be validated for each customer application by customer's technical experts. ON Semiconductor does not convey any license under its patent rights nor the rights of others. ON Semiconductor products are not designed, intended, or authorized for use as a critical component in life support systems or any FDA Class 3 medical devices or medical devices with a same or similar classification in a foreign jurisdiction or any devices intended for implantation in the human body. Should Buyer purchase or use ON Semiconductor products for any such unintended or unauthorized application, Buyer shall indemnify and hold ON Semiconductor and its officers, employees, subsidiaries, affiliates, and distributors harmless against all claims, costs, damages, and expenses, and reasonable attorney fees arising out of, directly or indirectly, any claim of personal injury or death associated with such unintended or unauthorized use, even if such claim alleges that ON Semiconductor was negligent regarding the design or manufacture of the part. ON Semiconductor is an Equal Opportunity/Affirmative Action Employer. This literature is subject to all applicable copyright laws and is not for resale in any manner.

PUBLICATION ORDERING INFORMATION

LITERATURE FULFILLMENT:
Literature Distribution Center for ON Semiconductor
19521 E. 32nd Pkwy, Aurora, Colorado 80011 USA
Phone: 303-675-2175 or 800-344-3860 Toll Free USA/Canada
Fax: 303-675-2176 or 800-344-3867 Toll Free USA/Canada
Email: orderlit@onsemi.com

N. American Technical Support: 800-282-9855 Toll Free USA/Canada
Europe, Middle East and Africa Technical Support: Phone: 421 33 790 2910

ON Semiconductor Website: www.onsemi.com
Order Literature: <http://www.onsemi.com/orderlit>

For additional information, please contact your local Sales Representative