

Important notice

Dear Customer,

On 7 February 2017 the former NXP Standard Product business became a new company with the tradename **Nexperia**. Nexperia is an industry leading supplier of Discrete, Logic and PowerMOS semiconductors with its focus on the automotive, industrial, computing, consumer and wearable application markets

In data sheets and application notes which still contain NXP or Philips Semiconductors references, use the references to Nexperia, as shown below.

Instead of <http://www.nxp.com>, <http://www.philips.com/> or <http://www.semiconductors.philips.com/>, use <http://www.nexperia.com>

Instead of sales.addresses@www.nxp.com or sales.addresses@www.semiconductors.philips.com, use salesaddresses@nexperia.com (email)

Replace the copyright notice at the bottom of each page or elsewhere in the document, depending on the version, as shown below:

- © NXP N.V. (year). All rights reserved or © Koninklijke Philips Electronics N.V. (year). All rights reserved

Should be replaced with:

- © **Nexperia B.V. (year). All rights reserved.**

If you have any questions related to the data sheet, please contact our nearest sales office via e-mail or telephone (details via salesaddresses@nexperia.com). Thank you for your cooperation and understanding,

Kind regards,

Team Nexperia

IP4786CZ32S

DVI and HDMI interface ESD and overcurrent protection,
DDC/CEC buffering, hot plug detect and backdrive protection

Rev. 3 — 7 January 2015

Product data sheet

1. General description

The IP4786CZ32S is designed to protect High-Definition Multimedia Interface (HDMI) transmitter host interfaces. It includes HDMI 5 V overcurrent / overvoltage protection, Display Data Channel (DDC) buffering and decoupling, Hot Plug Detect (HPD), backdrive protection, Consumer Electronic Control (CEC) buffering and decoupling, and ± 12 kV contact ElectroStatic Discharge (ESD) protection for all external I/Os in accordance with the IEC 61000-4-2, level 4 standard.

The IP4786CZ32S incorporates Transmission Line Clamping (TLC) technology on the high-speed Transition-Minimized Differential Signaling (TMDS) lines to simplify routing and help reduce impedance discontinuities. All TMDS lines are protected by an impedance-matched diode configuration that minimizes impedance discontinuities caused by typical shunt diodes.

The enhanced 60 mA overcurrent / overvoltage linear regulator guarantees HDMI-compliant 5 V output voltage levels with up to 6.5 V inputs.

The DDC lines use a new buffering concept which decouples the internal capacitive load from the external capacitive load for use with standard Complementary Metal Oxide Semiconductor (CMOS) or Low Voltage Transistor-Transistor Logic (LVTTTL) I/O cells down to 1.8 V. This buffering also redrives the DDC and CEC signals, allowing the use of longer or cheaper HDMI cables with a higher capacitance. The internal hot plug detect module simplifies the application of the HDMI transmitter to control the hot plug signal.

All lines provide appropriate integrated pull-ups and pull-downs for HDMI compliance and backdrive protection to guarantee that HDMI interface signals are not pulled down if the system is powered down or enters Standby mode. Only a single external capacitor is required for operation.

2. Features and benefits

- HDMI 2.0 and all backward compatible standards are supported
- 6.0 Gbps TMDS Bit Rate (600 Mcsc TMDS Character Rate) compatible
- Supports Ultra High-Definition (UHD) 4K (2160p) 60 Hz display modes
- Impedance matched 100 Ω differential transmission line ESD protection for TMDS lines (± 10 Ω). No Printed-Circuit Board (PCB) pre-compensation required
- Simplified flow-through routing utilizing less overall PCB space
- DDC capacitive decoupling between system side and HDMI connector side and buffering to drive cable with high capacitive load (> 700 pF/25 m)
- All external I/O lines with ESD protection of at least ± 12 kV, exceeding the IEC 61000-4-2, level 4 standard



- Hot plug detect module
- CEC buffering and isolation, with integrated backdrive-protected 26 kΩ pull-up
- Robust ESD protection without degradation after repeated ESD strikes
- Highest integration in a small footprint, PCB level, optimized RF routing, 32-pin HVQFN leadless package

3. Applications

- The IP4786CZ32S can be used for a wide range of HDMI source devices, consumer and computing electronics:
 - ◆ Tablet and notebook PCs
 - ◆ Portable Media Players
 - ◆ Digital Still Cameras (DSC)
 - ◆ High-Definition (HD) and Standard-Definition (SD) Blu-ray and DVD players
 - ◆ Set-top boxes (STB)
 - ◆ PC graphic cards
 - ◆ Game consoles
 - ◆ HDMI picture performance quality enhancer modules
 - ◆ Digital Visual Interface (DVI)

4. Ordering information

Table 1. Ordering information

Type number	Package		
	Name	Description	Version
IP4786CZ32S	HXQFN32	plastic thermal enhanced extremely thin quad flat package; no leads; 32 terminals; body 4 × 4 × 0.5 mm	SOT1318-1

5. Functional diagram

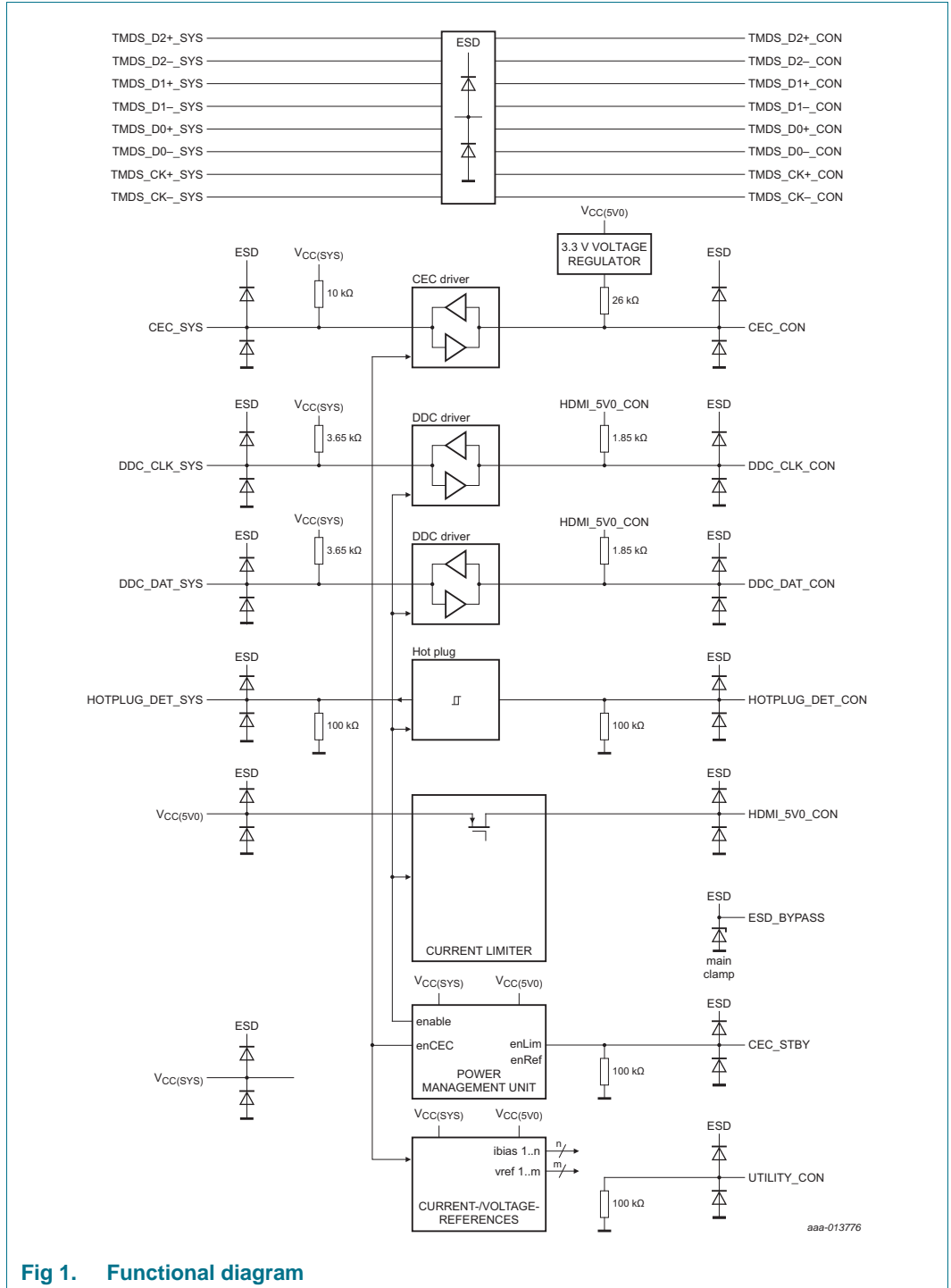
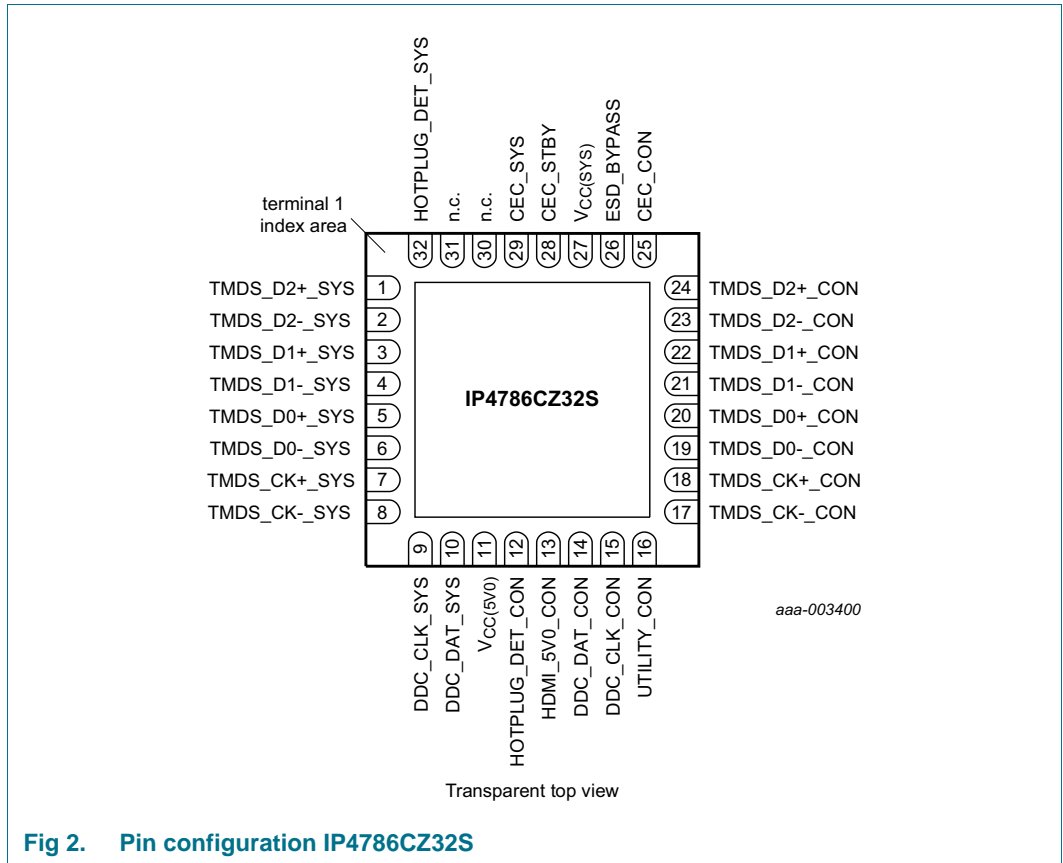


Fig 1. Functional diagram

6. Pinning information

6.1 Pinning



6.2 Pin description

Table 2. Pin description

Pin	Name	Description
1	TMDS_D2+_SYS	TMDS to ASIC inside system
2	TMDS_D2-_SYS	TMDS to ASIC inside system
3	TMDS_D1+_SYS	TMDS to ASIC inside system
4	TMDS_D1-_SYS	TMDS to ASIC inside system
5	TMDS_D0+_SYS	TMDS to ASIC inside system
6	TMDS_D0-_SYS	TMDS to ASIC inside system
7	TMDS_CK+_SYS	TMDS to ASIC inside system
8	TMDS_CK-_SYS	TMDS to ASIC inside system
9	DDC_CLK_SYS	DDC clock system side
10	DDC_DAT_SYS	DDC data system side
11	V _{CC(5V0)}	5 V supply input
12	HOTPLUG_DET_CON	hot plug detect connector side
13	HDMI_5V0_CON	5 V overcurrent out to connector

Table 2. Pin description ...continued

Pin	Name	Description
14	DDC_DAT_CON	DDC data connector side
15	DDC_CLK_CON	DDC clock connector side
16	UTILITY_CON	utility line ESD protection
17	TMDS_CK-_CON	TMDS ESD protection to connector
18	TMDS_CK+_CON	TMDS ESD protection to connector
19	TMDS_D0-_CON	TMDS ESD protection to connector
20	TMDS_D0+_CON	TMDS ESD protection to connector
21	TMDS_D1-_CON	TMDS ESD protection to connector
22	TMDS_D1+_CON	TMDS ESD protection to connector
23	TMDS_D2-_CON	TMDS ESD protection to connector
24	TMDS_D2+_CON	TMDS ESD protection to connector
25	CEC_CON	CEC signal connector side
26	ESD_BYPASS	ESD bias voltage
27	V _{CC(SYS)}	supply voltage for level shifting
28	CEC_STBY	CEC Standby mode control (LOW for lowest power, CEC-only mode)
29	CEC_SYS	CEC I/O signal system side
30	n.c.	not connected
31	n.c.	not connected
32	HOTPLUG_DET_SYS	hot plug detect system side
ground pad	GND	ground

7. Limiting values

Table 3. Limiting values

In accordance with the Absolute Maximum Rating System (IEC 60134).

Symbol	Parameter	Conditions	Min	Max	Unit
V _{CC(5V0)}	supply voltage (5.0 V)		GND – 0.5	6.5	V
V _I	input voltage	I/O pins	GND – 0.5	5.5	V
V _{ESD}	electrostatic discharge voltage	IEC 61000-4-2, level 4 (contact) [1]	-	±12	kV
		IEC 61000-4-2, level 1 (contact) [2]	-	±2	kV
P _{tot}	total power dissipation	DDC operating at 100 kHz; CEC operating at 1 kHz; 50 % duty cycle; CEC_STBY = HIGH; no current at HDMI_5V0_CON	-	50	mW
		DDC and CEC bus in idle mode; CEC_STBY = HIGH; no current at HDMI_5V0_CON	-	3.0	mW
		DDC and CEC bus in idle mode; CEC_STBY = LOW	-	1.0	mW
T _{amb}	ambient temperature		-25	+85	°C
T _{stg}	storage temperature		-55	+125	°C

[1] Connector-side pins (typically denoted with “_CON” suffix) to ground.

[2] System-side pins: CEC_SYS, DDC_DAT_SYS, DDC_CLK_SYS, HOTPLUG_DET_SYS, CEC_STBY, V_{CC(SYS)} and V_{CC(5V0)}.

8. Static characteristics

Table 4. Supplies

$T_{amb} = -25\text{ }^{\circ}\text{C}$ to $+85\text{ }^{\circ}\text{C}$ unless otherwise specified.

Symbol	Parameter	Conditions	Min	Typ	Max	Unit
$V_{CC(5V0)}$	supply voltage (5.0 V)	[1]	4.5	5.0	6.5	V
$V_{CC(SYS)}$	system supply voltage		1.62	3.3	5.5	V

- [1] The IP4786CZ32S contains a 5 V voltage regulator function for higher input voltages. Any input voltage of $4.925\text{ V} < V_{CC(5V0)} < 6.50\text{ V}$ provides HDMI-compliant output levels of 4.8 V to 5.3 V on HDMI_5V0_CON.

Table 5. TMDS protection circuit

$T_{amb} = -25\text{ }^{\circ}\text{C}$ to $+85\text{ }^{\circ}\text{C}$ unless otherwise specified.

Symbol	Parameter	Conditions	Min	Typ	Max	Unit
TMDS channel						
$Z_{i(dif)}$	differential input impedance	TDR measured; $t_r = 200\text{ ps}$	90	100	110	Ω
C_{eff}	effective capacitance	equivalent shunt capacitance for TDR minimum; $t_r = 200\text{ ps}$	[1][2]	-	0.6	pF
Protection diode						
V_{BRzd}	Zener diode breakdown voltage	$I = 1.0\text{ mA}$	6.0	-	9.0	V
r_{dyn}	dynamic resistance	surge; $I = 1.0\text{ A}$; IEC 61000-4-5/9				
		positive transient	-	1.0	-	Ω
		negative transient	-	1.0	-	Ω
		TLP [3]				
		positive transient	-	1.0	-	Ω
		negative transient	-	1.0	-	Ω
I_{bck}	back current	$V_{CC(5V0)} < V_{ch(TMDS)}$	[4][5]	-	0.1	μA
I_{LR}	reverse leakage current	$V_I = 3.0\text{ V}$	-	1.0	-	μA
V_F	forward voltage		-	0.7	-	V
$V_{CL(ch)trt(pos)}$	positive transient channel clamping voltage	100 ns TLP; 50 Ω pulser at 50 ns	-	8.0	-	V

- [1] This parameter is guaranteed by design.
- [2] Capacitive dip at HDMI Time Domain Reflectometer (TDR) measurement conditions.
- [3] ANSI-ESD SP5.5.1-2004, ESD sensitivity testing Transmission Line Pulse (TLP) component level method 50 TDR.
- [4] Signal pins:
TMDS_D0+_CON, TMDS_D0-_CON, TMDS_D1+_CON, TMDS_D1-_CON, TMDS_D2+_CON, TMDS_D2-_CON, TMDS_CK+_CON, TMDS_CK-_CON,
TMDS_D0+_SYS, TMDS_D0-_SYS, TMDS_D1+_SYS, TMDS_D1-_SYS, TMDS_D2+_SYS, TMDS_D2-_SYS, TMDS_CK+_SYS and TMDS_CK-_SYS.
- [5] Backdrive current from TMDS_x_SYS and TMDS_x_CON pins to local $V_{CC(5V0)}$ bias rail at power-down. Device does not block backdrive current leakage through the device to/from ASIC I/O pins connected to TMDS_x_SYS pins.

Table 6. HDMI_5V0_CON $T_{amb} = -25\text{ }^{\circ}\text{C}$ to $+85\text{ }^{\circ}\text{C}$ unless otherwise specified.

Symbol	Parameter	Conditions	Min	Typ	Max	Unit
r_{dyn}	dynamic resistance	TLP [1]				
		positive transient	-	1.0	-	Ω
		negative transient	-	1.0	-	Ω
V_{CL}	clamping voltage	100 ns TLP; 50 Ω pulser at 50 ns	-	8	-	V
$I_{O(max)}$	maximum output current	$V_{(HDMI_5V0_CON)} = 4.8\text{ V}$	55	-	-	mA
I_{bck}	back current	$V_{CC(5V0)} < V_{(HDMI_5V0_CON)}$	-	-	10	μA
$I_{O(sc)}$	short-circuit output current	$V_{(HDMI_5V0_CON)} = 0\text{ V}$	-	125	175	mA
V_{do}	dropout voltage	$4.5\text{ V} < V_{CC(5V0)} < 4.925\text{ V}$; DDC = LOW [2]				
		$I_O = 10\text{ mA}$	-	70	-	mV
		$I_O = 55\text{ mA}$	-	-	125	mV
$V_{O(LDO)}$	LDO output voltage	$I_O \leq 55\text{ mA}$; $4.925\text{ V} < V_{CC(5V0)} < 6.5\text{ V}$; DDC = LOW [2]	4.8	5.05	5.3	V

[1] ANSI-ESD SP5.5.1-2004, ESD sensitivity testing TLP component level method 50 TDR.

[2] The IP4786CZ32S contains a 5 V voltage regulator function for higher input voltages. Any input voltage of $4.925\text{ V} < V_{CC(5V0)} < 6.50\text{ V}$ provides HDMI-compliant output levels of 4.8 V to 5.3 V on HDMI_5V0_CON.

Table 7. UTILITY_CON $T_{amb} = -25\text{ }^{\circ}\text{C}$ to $+85\text{ }^{\circ}\text{C}$ unless otherwise specified.

Symbol	Parameter	Conditions	Min	Typ	Max	Unit
Supplies: pins $V_{CC(5V0)}$ and $V_{CC(SYS)}$						
r_{dyn}	dynamic resistance	TLP [1]				
		positive transient	-	1.0	-	Ω
		negative transient	-	1.0	-	Ω
V_{CL}	clamping voltage	100 ns TLP; 50 Ω pulser at 50 ns	-	8.0	-	V
C_i	input capacitance	$V_{CC(5V0)} = 0\text{ V}$; $V_{CC(SYS)} = 0\text{ V}$; $V_{bias} = 2.5\text{ V}$; AC input = $3.5\text{ V}_{(p-p)}$; $f = 100\text{ kHz}$	-	8.0	10	pF
R_{pd}	pull-down resistance		60	100	140	k Ω

[1] ANSI-ESD SP5.5.1-2004, ESD sensitivity testing TLP component level method 50 TDR.

Table 8. Static characteristics

$T_{amb} = -25\text{ }^{\circ}\text{C}$ to $+85\text{ }^{\circ}\text{C}$ unless otherwise specified.

Symbol	Parameter	Conditions	Min	Typ	Max	Unit
DDC buffer on connector side ^[1]						
V _{IH}	HIGH-level input voltage		$0.5 \times V_{(HDMI_5V0_CON)}$	-	6.5	V
V _{IL}	LOW-level input voltage		-0.5	-	$0.3 \times V_{(HDMI_5V0_CON)}$	V
V _{OH}	HIGH-level output voltage		$V_{(HDMI_5V0_CON)} - 0.02$	-	$V_{(HDMI_5V0_CON)} + 0.02$	V
V _{OL}	LOW-level output voltage	internal pull-up and external sink	-	100	200	mV
V _{IK}	input clamping voltage	I _I = -18 mA	-	-	-1.0	V
C _{IO}	input/output capacitance	V _{CC(5V0)} = 5.0 V; V _{CC(SYS)} = 3.3 V; CEC_STBY = HIGH	-	8.0	10	pF
R _{pu}	pull-up resistance		1.6	1.8	2.0	kΩ
DDC buffer on system side ^{[1][4]}						
V _{IH}	HIGH-level input voltage	V _{CC(SYS)} = 1.8 V	450	-	-	mV
		V _{CC(SYS)} = 2.5 V	620	-	-	mV
		V _{CC(SYS)} = 3.3 V	760	-	-	mV
		V _{CC(SYS)} = 5.0 V	800	-	-	mV
V _{IL}	LOW-level input voltage	V _{CC(SYS)} = 1.8 V	-	-	330	mV
		V _{CC(SYS)} = 2.5 V	-	-	380	mV
		V _{CC(SYS)} = 3.3 V	-	-	400	mV
		V _{CC(SYS)} = 5.0 V	-	-	420	mV
V _{OH}	HIGH-level output voltage		$V_{CC(SYS)} - 0.02$	-	$V_{CC(SYS)} + 0.02$	V
V _{OL}	LOW-level output voltage	V _{CC(SYS)} = 1.8 V	-	490	500	mV
		V _{CC(SYS)} = 2.5 V	-	640	690	mV
		V _{CC(SYS)} = 3.3 V	-	685	790	mV
		V _{CC(SYS)} = 5.0 V	-	720	820	mV
V _{IK}	input clamping voltage	I _I = -18 mA	-	-	-1.0	V
C _{IO}	input/output capacitance	V _{CC(5V0)} = 0 V; V _{CC(SYS)} = 0 V; V _{bias} = 2.5 V; AC input = 3.5 V _(p-p) ; f = 100 kHz	-	6.0	8.0	pF
R _{pu}	pull-up resistance		3.2	3.65	4.1	kΩ

Table 8. Static characteristics ...continued
T_{amb} = -25 °C to +85 °C unless otherwise specified.

Symbol	Parameter	Conditions	Min	Typ	Max	Unit
CEC_CON[1]						
V _{IH}	HIGH-level input voltage		2.0	-	-	V
V _{IL}	LOW-level input voltage		-	-	0.80	V
V _{OH}	HIGH-level output voltage		2.88	3.3	3.63	V
V _{OL}	LOW-level output voltage	I _{OL} = 1.5 mA	-	100	200	mV
C _{IO}	input/output capacitance	V _{CC(SV0)} = 0 V; V _{CC(SYS)} = 0 V; V _{bias} = 1.65 V; AC input = 2.5 V _(p-p) ; f = 100 kHz	[2] -	8.0	10	pF
R _{pu}	pull-up resistance		23.4	26.0	28.6	kΩ
CEC_SYS[1][4]						
V _{IH}	HIGH-level input voltage	V _{CC(SYS)} = 1.8 V	450	-	-	mV
		V _{CC(SYS)} = 2.5 V	620	-	-	mV
		V _{CC(SYS)} = 3.3 V	760	-	-	mV
		V _{CC(SYS)} = 5.0 V	800	-	-	mV
V _{IL}	LOW-level input voltage	V _{CC(SYS)} = 1.8 V	-	-	330	mV
		V _{CC(SYS)} = 2.5 V	-	-	380	mV
		V _{CC(SYS)} = 3.3 V	-	-	400	mV
		V _{CC(SYS)} = 5.0 V	-	-	420	mV
V _{OH}	HIGH-level output voltage	[2] V _{CC(SYS)} - 0.02	-	V _{CC(SYS)} + 0.02	V	
V _{OL}	LOW-level output voltage	V _{CC(SYS)} = 1.8 V	[5] -	490	500	mV
		V _{CC(SYS)} = 2.5 V	[5] -	640	690	mV
		V _{CC(SYS)} = 3.3 V	[5] -	675	770	mV
		V _{CC(SYS)} = 5.0 V	[5] -	710	800	mV
C _{IO}	input/output capacitance	V _{CC(SV0)} = 0 V; V _{CC(SYS)} = 0 V; V _{bias} = 1.65 V; AC input = 2.5 V _(p-p) ; f = 100 kHz	[2] -	6.0	7.0	pF
R _{pu}	pull-up resistance		8.5	10	11.5	kΩ
HOTPLUG_DET_CON[1]						
V _{IH}	HIGH-level input voltage		2.0	-	-	V
V _{IL}	LOW-level input voltage		-	-	0.8	V
R _{pd}	pull-down resistance		60	100	140	kΩ
C _i	input capacitance	V _{CC(SV0)} = 0 V; V _{CC(SYS)} = 0 V; V _{bias} = 2.5 V; AC input = 3.5 V _(p-p) ; f = 100 kHz	[2] -	8.0	10	pF

Table 8. Static characteristics ...continued $T_{amb} = -25\text{ }^{\circ}\text{C}$ to $+85\text{ }^{\circ}\text{C}$ unless otherwise specified.

Symbol	Parameter	Conditions	Min	Typ	Max	Unit
HOTPLUG_DET_SYS ^[1]						
V _{OH}	HIGH-level output voltage	I _{OL} = 1 mA	0.7 × V _{CC(SYS)}	-	-	V
V _{OL}	LOW-level output voltage	I _{OL} = -1 mA	-	200	300	mV
R _{pd}	pull-down resistance		60	100	140	kΩ

[1] The device is active if the input voltage at pin CEC_STBY is above the HIGH level.

[2] This parameter is guaranteed by design.

[3] Capacitive load measured at power-on.

[4] No external pull-up resistor attached.

[5] Typical value at T_{amb} = +25 °C.

Table 9. CEC_STBY power management circuit $V_{CC(SYS)} = 1.62\text{ V}$ to 5.5 V ; $V_{CC(5V0)} = 4.5\text{ V}$ to 6.5 V ; $GND = 0\text{ V}$; $T_{amb} = -25\text{ }^{\circ}\text{C}$ to $+85\text{ }^{\circ}\text{C}$ unless otherwise specified.

Symbol	Parameter	Conditions	Min	Typ	Max	Unit
Board side: input pin CEC_STBY ^[1]						
V _{IH}	HIGH-level input voltage	HIGH = active	^[2] 1.2	-	6.5	V
V _{IL}	LOW-level input voltage	LOW = standby	^[3] -0.5	-	0.8	V
R _{pd}	pull-down resistance		60	100	140	kΩ
C _i	input capacitance	V _i = 3 V or 0 V	-	6	7	pF

[1] The CEC_STBY pin should be connected permanently to V_{CC(5V0)} or V_{CC(SYS)} if no enable control is needed.

[2] DDC buffers, HPD buffer, and HDMI_5V0_CON out enabled; CEC buffer enabled.

[3] DDC buffers, HPD buffer, and HDMI_5V0_CON out disabled; CEC buffer enabled.

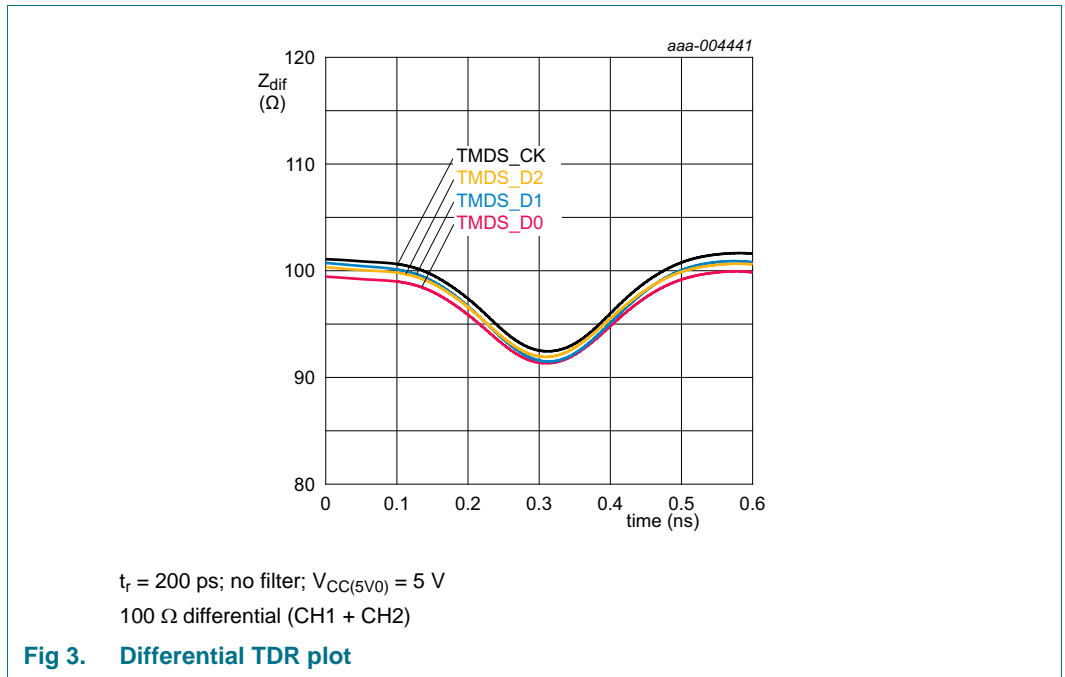
9. Dynamic characteristics

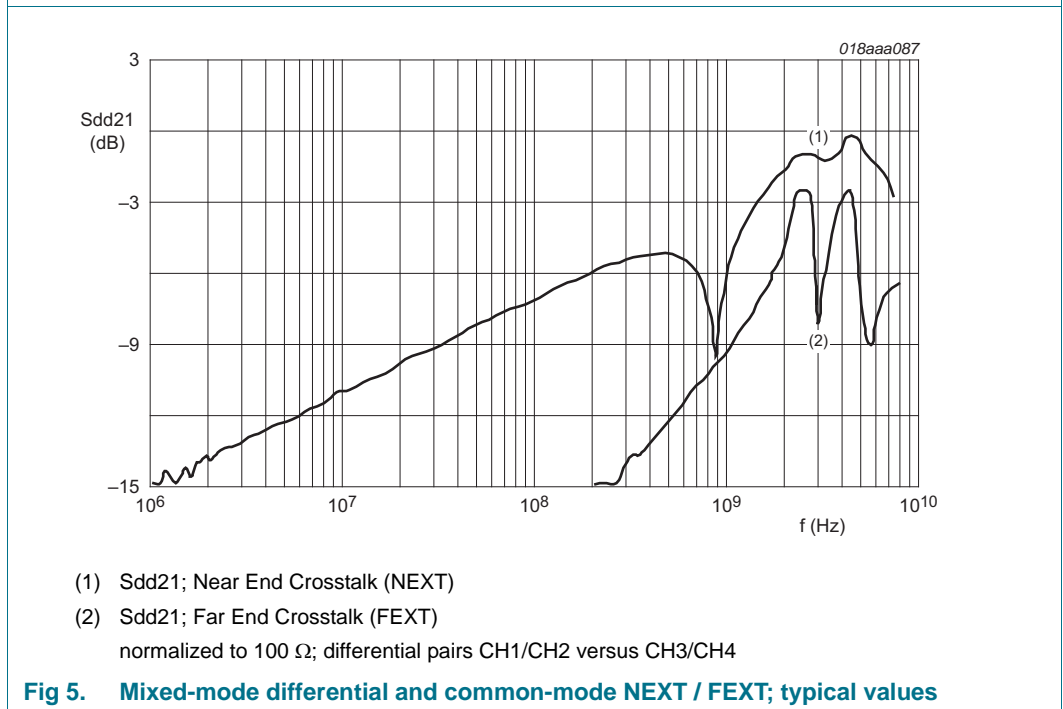
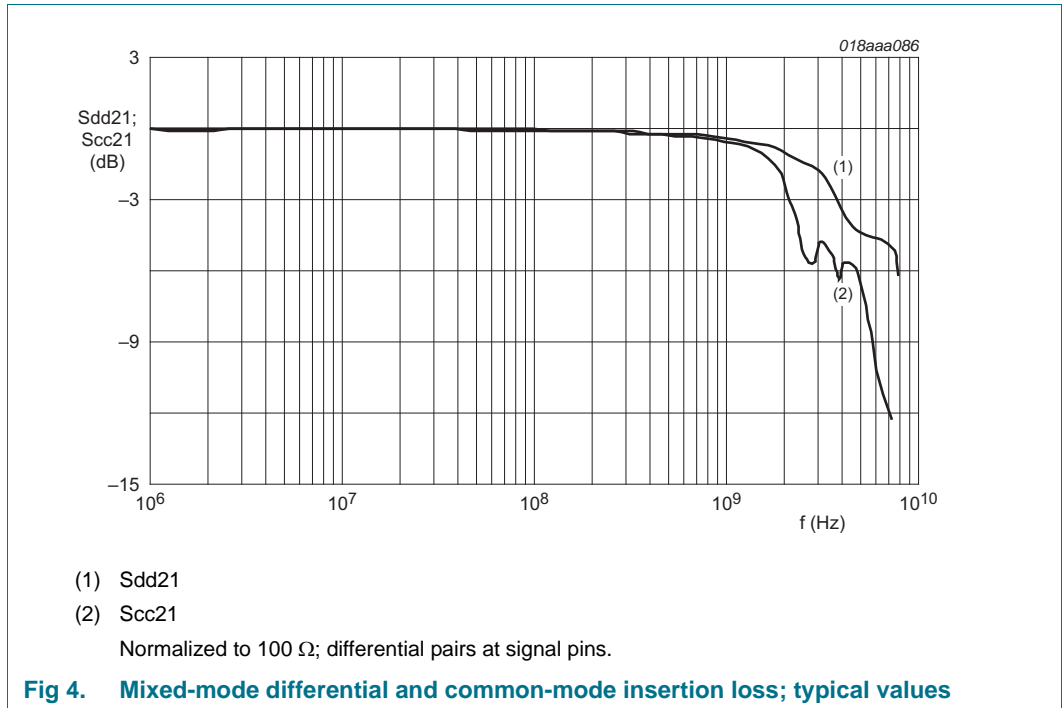
Table 10. Dynamic characteristics

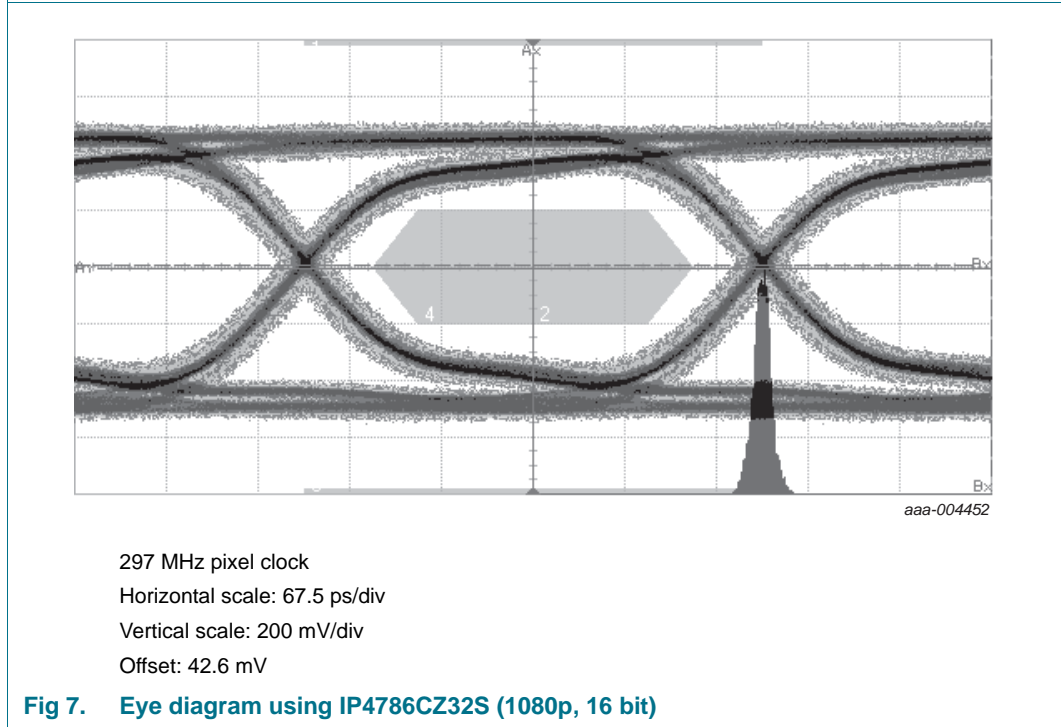
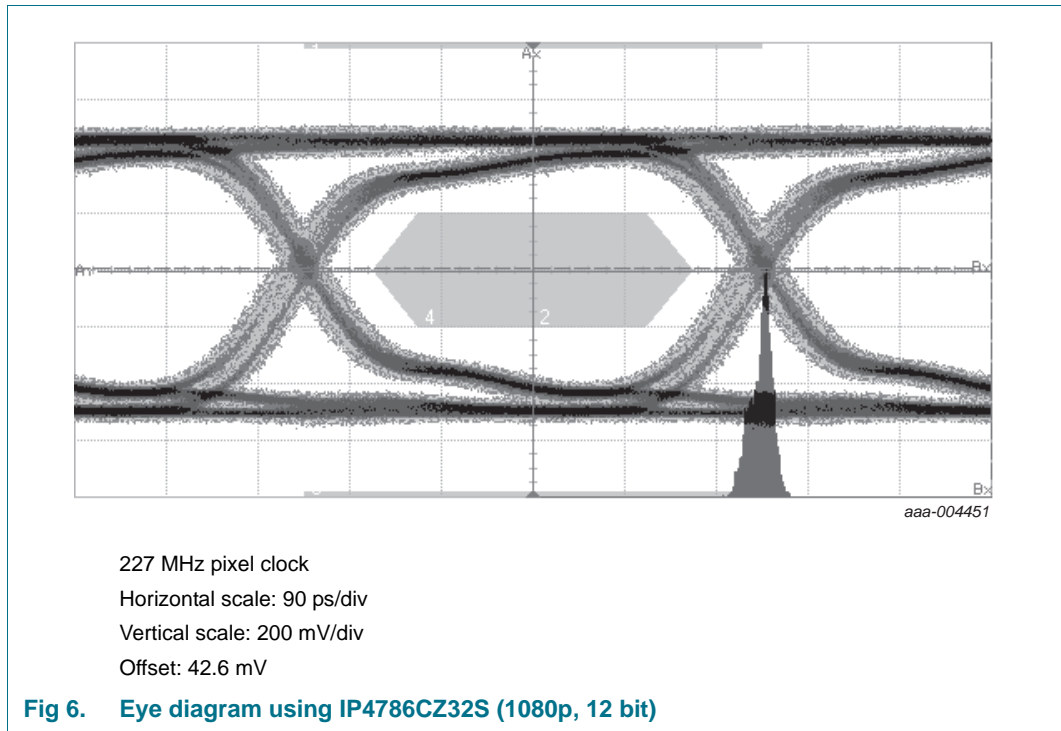
$V_{CC(5V0)} = 5.0\text{ V}$; $V_{CC(SYS)} = 1.8\text{ V}$; $GND = 0\text{ V}$; $T_{amb} = -25\text{ }^{\circ}\text{C}$ to $+85\text{ }^{\circ}\text{C}$ unless otherwise specified.

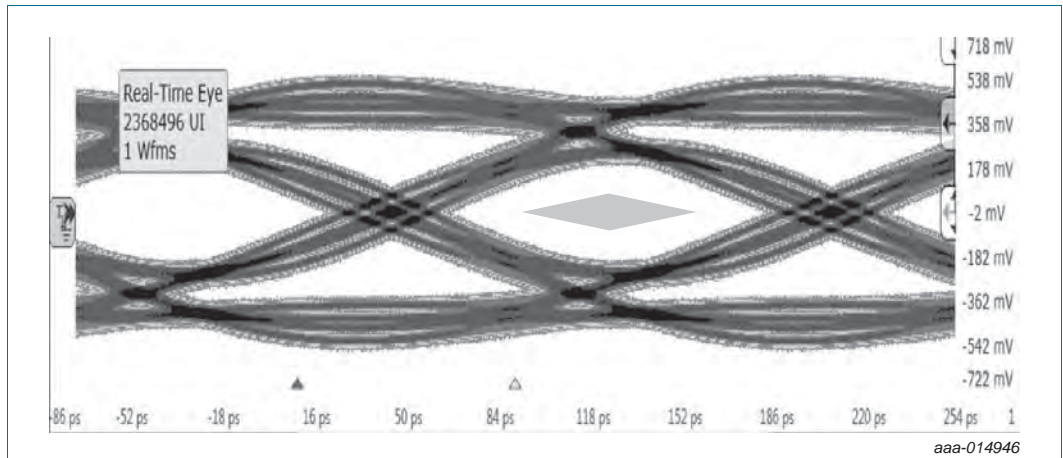
Symbol	Parameter	Conditions	Min	Typ	Max	Unit
DDC_DAT_SYS, DDC_CLK_SYS, DDC_DAT_CON, DDC_CLK_CON^[1]						
t _{PLH}	LOW to HIGH propagation delay	system side to connector side Figure 16	-	80	-	ns
t _{PHL}	HIGH to LOW propagation delay	system side to connector side Figure 16	-	60	-	ns
t _{PLH}	LOW to HIGH propagation delay	connector side to system side Figure 17	-	120	-	ns
t _{PHL}	HIGH to LOW propagation delay	connector side to system side Figure 17	-	80	-	ns
t _{TLH}	LOW to HIGH transition time	connector side Figure 18	-	150	-	ns
t _{THL}	HIGH to LOW transition time	connector side Figure 18	-	100	-	ns
t _{TLH}	LOW to HIGH transition time	system side Figure 19	-	250	-	ns
t _{THL}	HIGH to LOW transition time	system side Figure 19	-	80	-	ns

[1] All dynamic measurements are done with a 75 pF load. Rise times are determined by internal pull-up resistors.









148.5 MHz test frequency

Measured at TP2 with worst cable emulator, reference cable equalizer and worst case negative skew, device powered.

Fig 8. Eye diagram using IP4786CZ32S (2160p, 60 Hz)

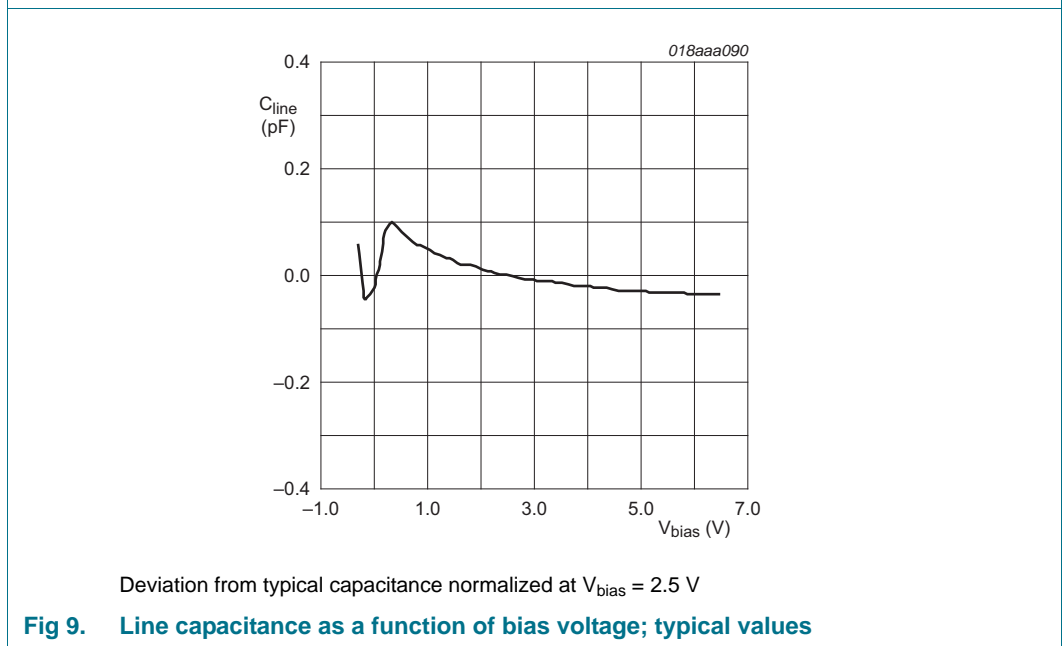
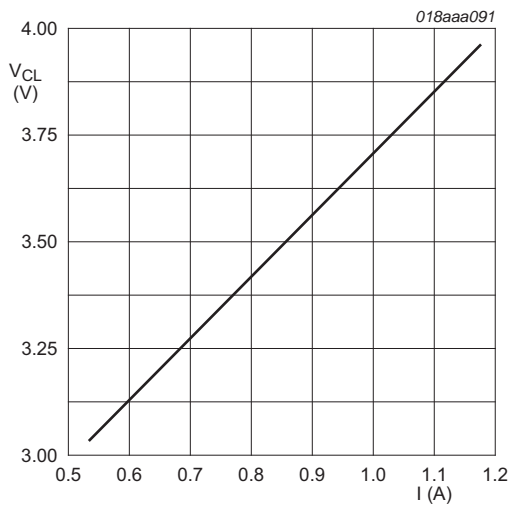
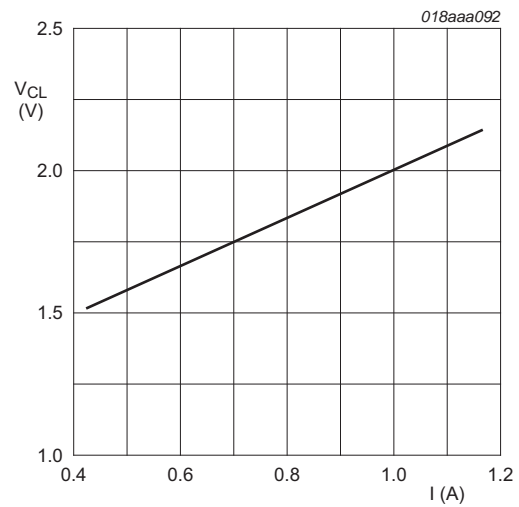


Fig 9. Line capacitance as a function of bias voltage; typical values



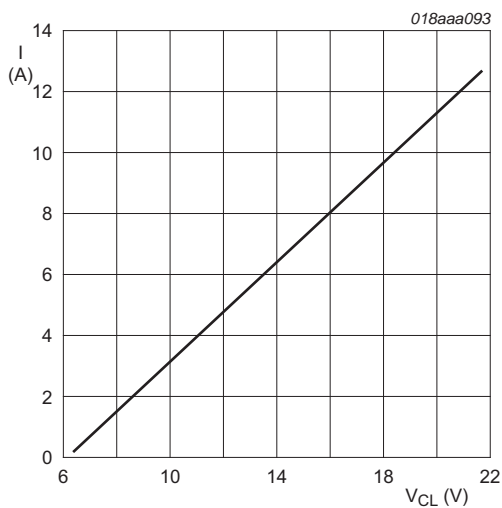
IEC 61000-4-5; $t_p = 8/20 \mu s$; positive pulse

Fig 10. Dynamic resistance with positive clamping



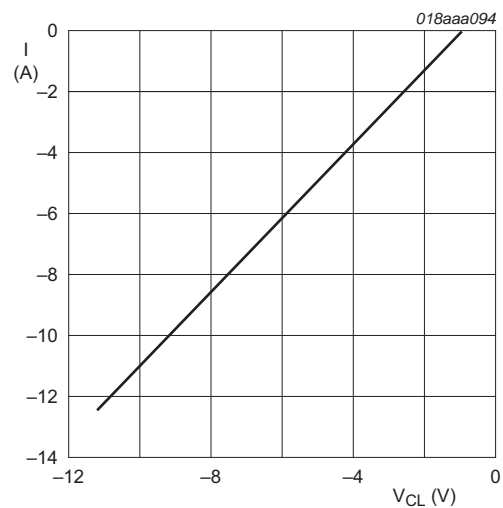
IEC 61000-4-5; $t_p = 8/20 \mu s$; negative pulse

Fig 11. Dynamic resistance with negative clamping



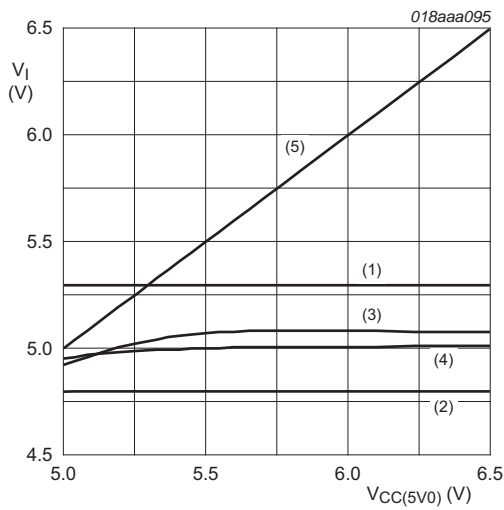
$t_p = 100 ns$; TLP; signal pins; typical values

Fig 12. Dynamic resistance with positive clamping



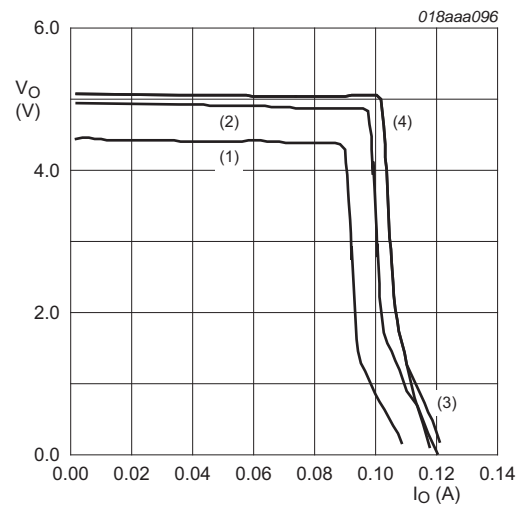
$t_p = 100 ns$; TLP; signal pins; typical values

Fig 13. Dynamic resistance with negative clamping



- (1) 5.3 V; maximum values; HDMI CTS TID 7-11
- (2) 4.8 V; minimum values; HDMI CTS TID 7-11
- (3) I = 0 mA
- (4) I = 55 mA
- (5) V_{CC(5V0)} supply input; 4.925 V to 6.5 V

Fig 14. Overvoltage limiter function (HDMI_5V0_CON)



- (1) V_{CC(5V0)} = 4.5 V
- (2) V_{CC(5V0)} = 5.0 V
- (3) V_{CC(5V0)} = 5.5 V
- (4) V_{CC(5V0)} = 6.5 V

Fig 15. Overcurrent limiter function (HDMI_5V0_CON)

10. AC waveforms

10.1 DDC propagation delay

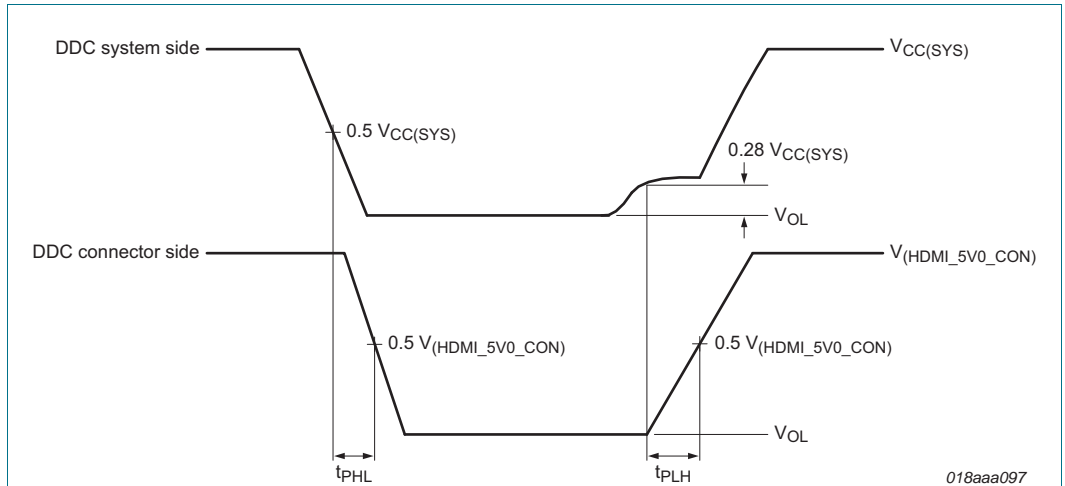


Fig 16. Propagation delay DDC, DDC system side to DDC connector side

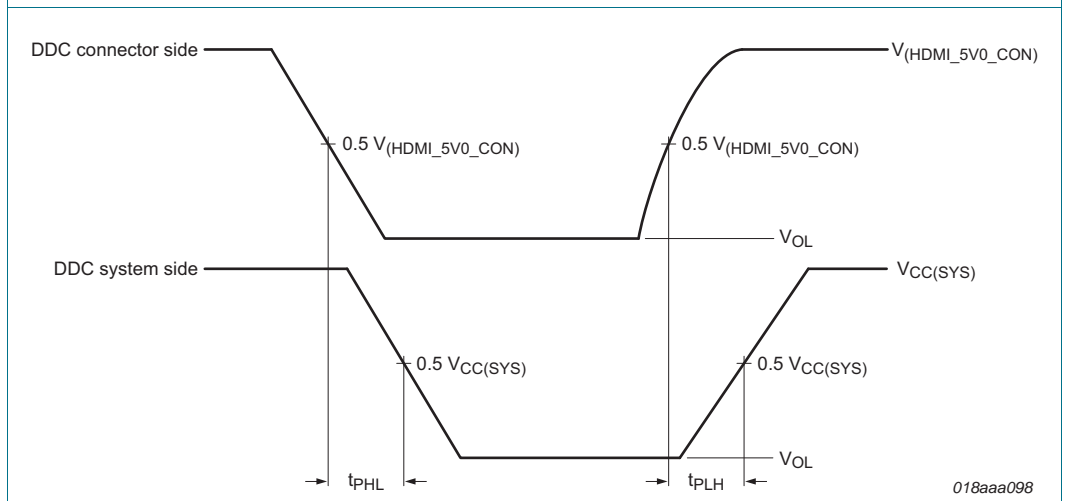


Fig 17. Propagation delay DDC, DDC connector side to DDC system side

10.2 DDC transition time

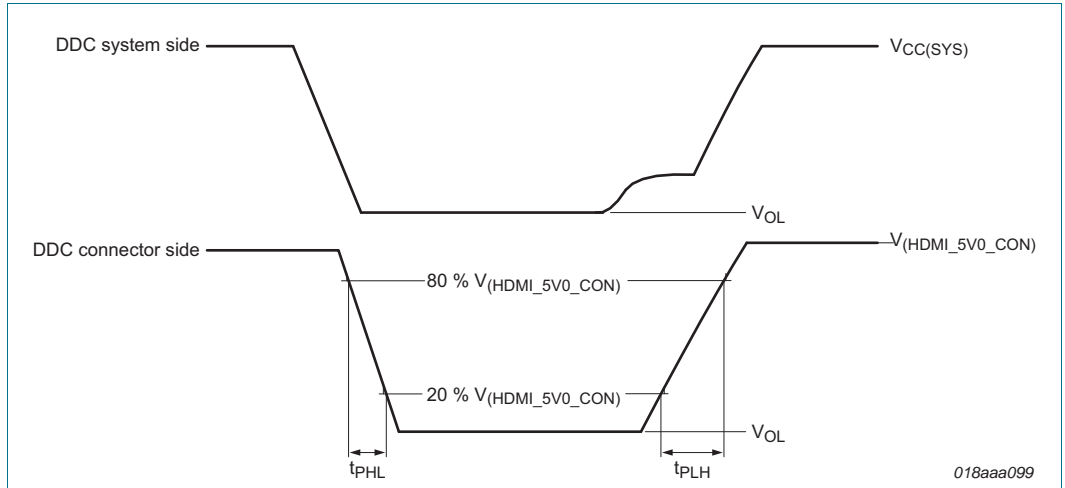


Fig 18. Transition time DDC connector side

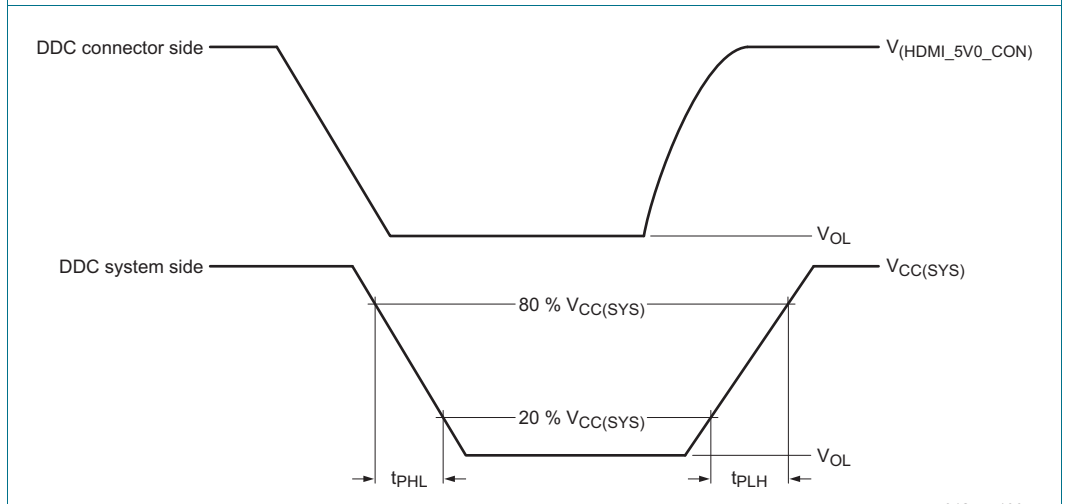


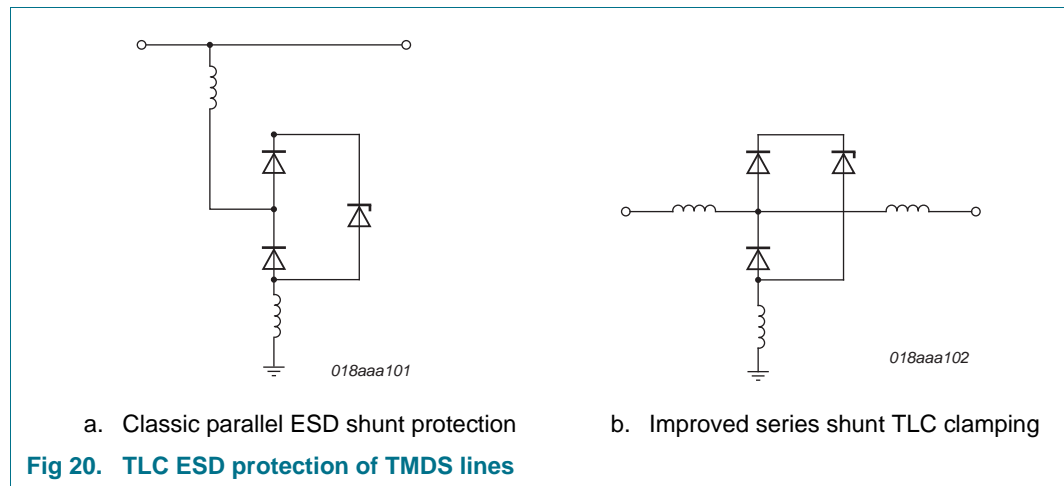
Fig 19. Transition time DDC system side

11. Application information

11.1 TMDS ESD

To protect the TMDS lines and also to comply with the impedance requirements of the HDMI specification, the IP4786CZ32S provides ESD protection with matched TLC ESD structures. Typical Dual Rail Clamp (DRC) or rail-to-rail shunt structures are common for low-capacitance ESD protection (Figure 20; left side) where the dominant factor for the TMDS line impedance dip is determined by the capacitive load to ground. Parasitic lead inductances of the packaging in this case work against the ESD clamping performance by including the $\Delta I/\Delta t$ reactance of the inductance into the path of the ESD shunt.

The IP4786CZ32S utilizes these inherent inductances in series with the transmission line in order to present an effective capacitive load of roughly only 0.7 pF. This TLC structure minimizes the capacitive dip, for ideal signal integrity (Figure 20; right side) without complicated PCB pre-compensation. As a beneficial side effect, this enhances the ESD performance of the device as well, since the reactance of the series inductance attenuates the fast initial peak of the ESD pulse, for a lower residual pulse delivered to the Application Specific Integrated Circuit (ASIC).



11.2 Operating and standby modes

The operating mode of IP4786CZ32S depends on the availability of the $V_{CC(5V0)}$ and $V_{CC(SYS)}$ supply voltages and on the state of the CEC_STBY input signal. Without availability of both supplies, IP4786CZ32S is in Standby mode. As soon as $V_{CC(5V0)}$ and $V_{CC(SYS)}$ are within the range specified in [Section 8](#), the part is in an operating mode that can be controlled via the CEC_STBY input signal. In case CEC_STBY is LOW, only the CEC buffer is active and enabled to receive or send CEC commands. All other outputs are in a high-ohmic state. A HIGH input signal enables all parts of IP4786CZ32S and puts the device into full operating mode.

Table 11. IP4786CZ32S operating modes

$V_{CC(SYS)}$	$V_{CC(5V0)}$	CEC_STBY ^[1]	Mode	Description
< 1.1 V	< 4.5 V	X	Standby mode	all outputs high-ohmic
≥ 1.1 V	≥ 4.5 V	L	CEC Standby mode	CEC circuit active; all other outputs high-ohmic
		H	full operating mode	all functional blocks active

[1] X = Don't care (either LOW or HIGH level); L = LOW-level input; H = HIGH-level input

If no CEC Standby mode is required, or if no special Power-down modes are desired, the CEC_STBY pin can be pulled HIGH to $V_{CC(5V0)}$ or $V_{CC(SYS)}$ for continuous HDMI and CEC operation as soon as the supplies are available.

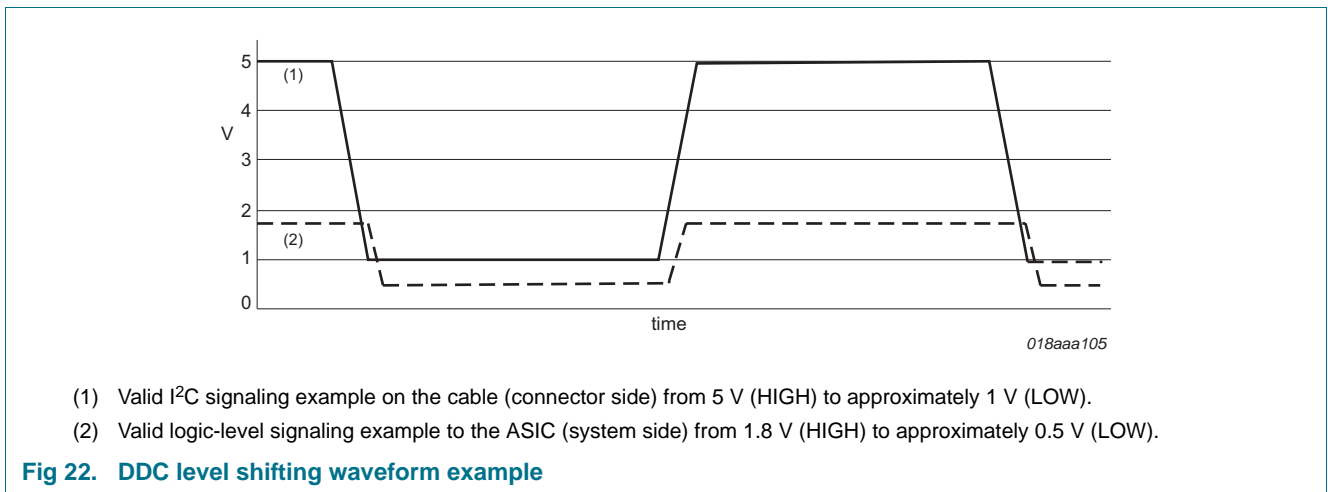
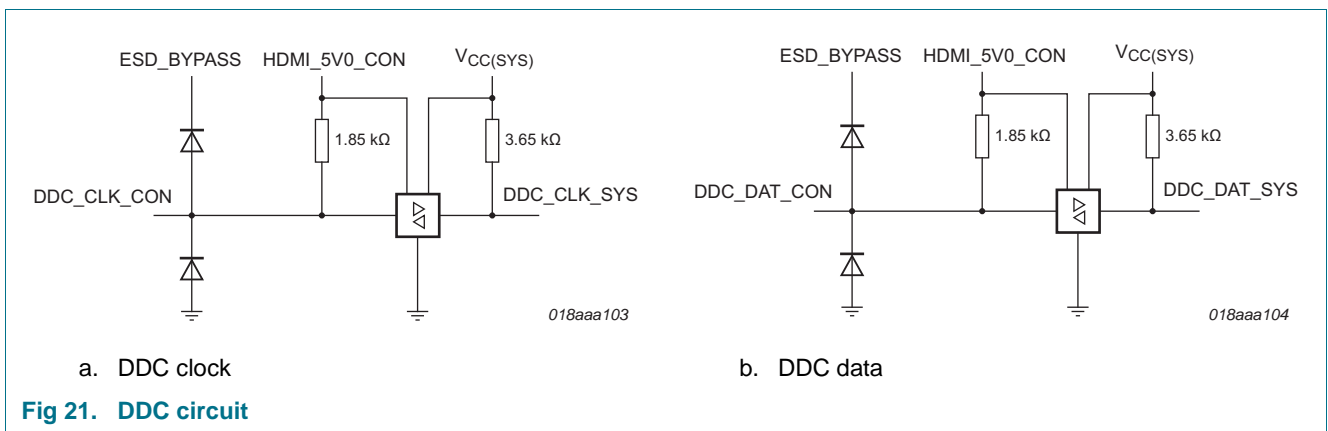
Strapping the CEC_STBY = $V_{CC(SYS)}$ = V_{DD} of the ASIC guarantees that all interface signals ending with the suffix “_SYS” on the system side are disabled when $V_{CC(SYS)}$ goes LOW. This configuration protects the ASIC I/O signals from exceeding its local V_{DD} . In this mode, even if $V_{CC(5V0)}$ is powered, HDMI_5V0_CON goes active and hot plug events can be detected only when the ASIC power supply rail is on.

Strapping CEC_STBY = $V_{CC(5V0)}$ is the most basic configuration where the buffers are enabled whenever the local $V_{CC(5V0)}$ and $V_{CC(SYS)}$ supplies reach minimum operating levels.

11.3 DDC circuit

The DDC bus circuit integrates all required pull-ups, and provides full capacitive decoupling between the HDMI connector and the DDC bus lines on the PCB. The capacitive decoupling ensures that the maximum capacitive load is well within the 50 pF maximum of the HDMI specification. No external pull-ups or pull-downs are required.

The bidirectional buffers support high-capacitive load on the HDMI cable-side. Various non-compliant but prevalent low-cost cables have been observed with a capacitive load of up to 6 nF on the DDC lines, far exceeding the 700 pF HDMI limit. The IP4786CZ32S can easily decouple this from the weaker ASIC I/O buffers, and drive the rogue cable successfully.

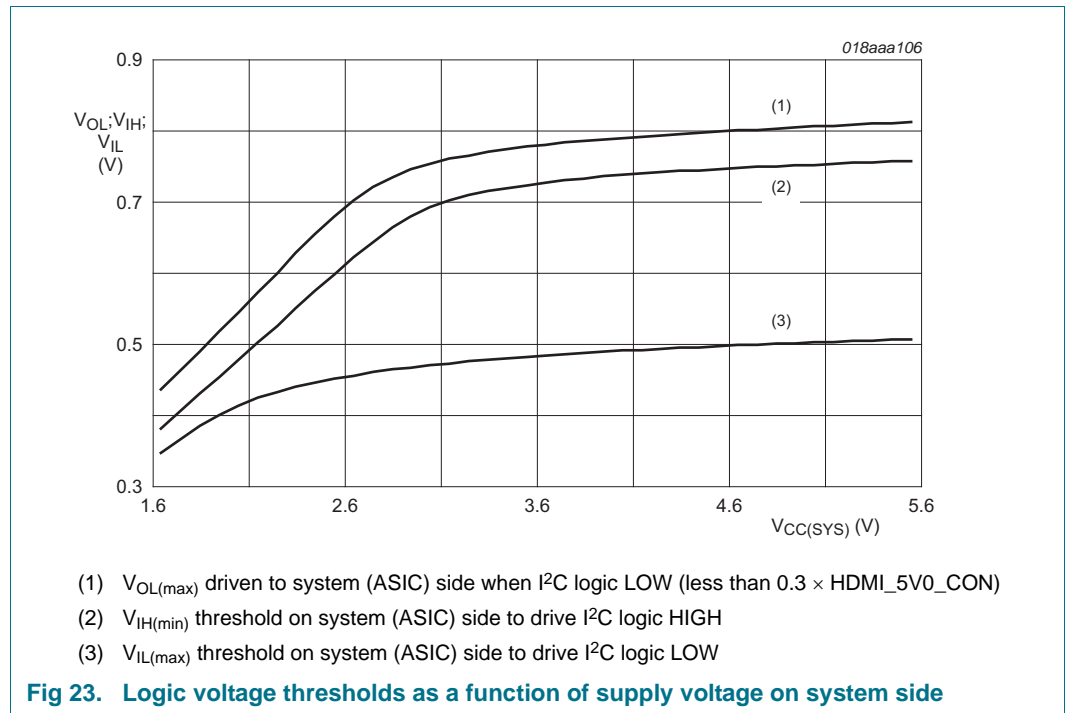


11.4 Logic low I²C voltage shifter

The DDC buffers provide an additional feature commonly required for high-integration HDMI ASICs. In order to be compatible with the 5 V I²C standard used for DDC communication, I/O buffer cells of many HDMI modern transmitter chips require level shifting. As FET-based level shifting just limits the HIGH level of the signal, the LOW level remains unchanged. As a result, the LOW-level voltages on the DDC bus often exceed the 0.3 V_{DD} LOW-level input voltage (V_{IL}) limit of low-voltage I/O buffers.

To enable proper operation that is independent of the system side I/O voltage, the DDC buffers inside IP4786CZ32S shift both the HIGH and the LOW levels by the required amount. This ensures that LOW levels on the system side DDC bus match the LOW-level input voltage requirements down to I/O voltages of 1.8 V.

Besides the DDC buffers, this feature is also included in the CEC buffer, allowing standard I/O buffer cells to be used in HDMI ASICs and microcontrollers.



11.5 Hot plug detect circuit and HEAC support

The IP4786CZ32S includes a hot plug detect circuit that simplifies the hot plug application. The circuit generates a standard logic level from the hot plug signal.

The hot plug detect circuit is pulling down the signal to avoid any floating signal. The comparator guarantees a safe detection of the 2 V hot plug signal without any glitches or oscillation at the hot plug output.

The IP4786CZ32S also provides an additional ESD pin to protect the reserved / HEAC pin along with hot plug detect to 12 kV IEC 61000-4-2, level 4.

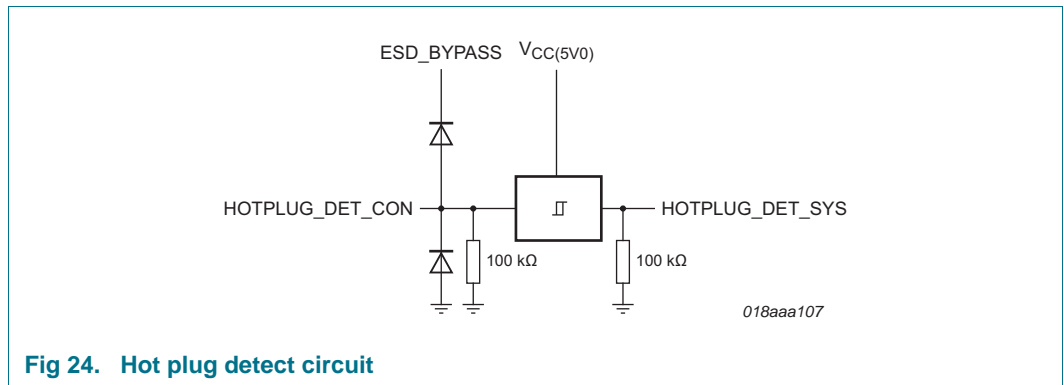


Fig 24. Hot plug detect circuit

11.6 CEC

The logical multidrop topology of the CEC bus can include complex physical stubs, loading cables, and interconnects that may deteriorate signal quality. The IP4786CZ32S includes a full bidirectional buffer to drive the CEC bus and isolate the CEC microcontroller or ASIC General-Purpose Input/Output (GPIO).

The CEC buffer derives power from an on-board 3.3 V regulator from the $V_{CC(5V0)}$ domain (see [Figure 25](#)). This allows extensive system power management configurations and guarantees an HDMI-compliant $V_{(CEC_CON)}$ on the connector, as well as the backdrive-protected 125 μ A nominal CEC pull-up which does not degrade the bus when powered down.

By placing the CEC microcontroller and $V_{CC(5V0)}$ input on a 5 V rail as shown in [Figure 28](#), the CEC microcontroller can communicate over CEC for power commands, and then enable the HDMI port via the CEC_STBY pin, as well as the rest of the system as needed.

The CEC buffer is always active as soon as both supply voltages are present. For details on the operating and Standby modes of IP4786CZ32S, see [Section 11.2](#).

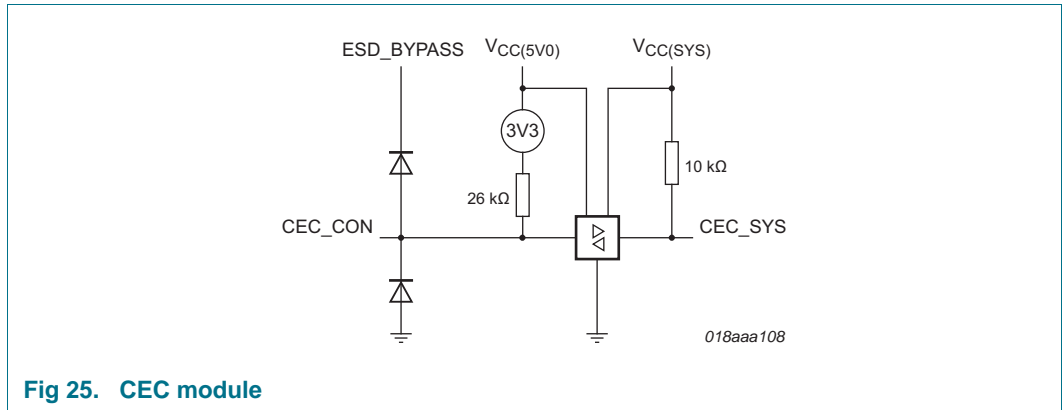


Fig 25. CEC module

11.7 Backdrive protection

The HDMI connector contains various signals which can partly supply current into an HDMI device that is powered down.

Typically, the DDC lines and the CEC signals can force significant current back into the powered-down rails as shown in Figure 26, causing power-on reset problems with the system, and possible damage. The IP4786CZ32S prevents this backdrive condition whenever the I/O voltage is greater than the local supply.

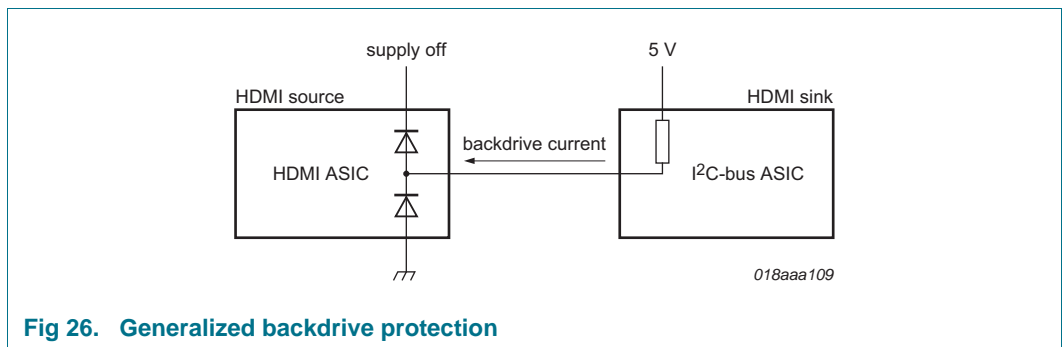


Fig 26. Generalized backdrive protection

11.8 55 mA overcurrent / overvoltage LDO function

To isolate faults from the source power supply while still meeting HDMI output specifications, IP4786CZ32S integrates a complete linear output overcurrent protection.

The Low DropOut (LDO) design provides a low-cost solution requiring just a single output capacitor (1 μ F or higher, Equivalent Series Resistance (ESR) < 1 Ω), eliminating start-up and ripple concerns (see [Figure 27](#)).

A typical 100 mV dropout voltage V_{do} overcurrent-only solution would require a $5.1\text{ V} \pm 3\%$ input supply to guarantee 4.8 V to 5.3 V over 0 mA to 55 mA at the HDMI connector. The overcurrent / overvoltage feature of the IP4786CZ32S allows the use of wider tolerance input supplies up to 6.5 V while still meeting the 4.8 V-to-5.3 V output limit required by HDMI. This means, for example, a cost-reduced $5.2\text{ V} \pm 5\%$ or even a $5.5\text{ V} \pm 10\%$ supply can be used with the IP4786CZ32S.

As with all the I/O pins, this block is ESD-protected and also provides backdrive protection when a rogue HDMI sink powers the HDMI cable unexpectedly.

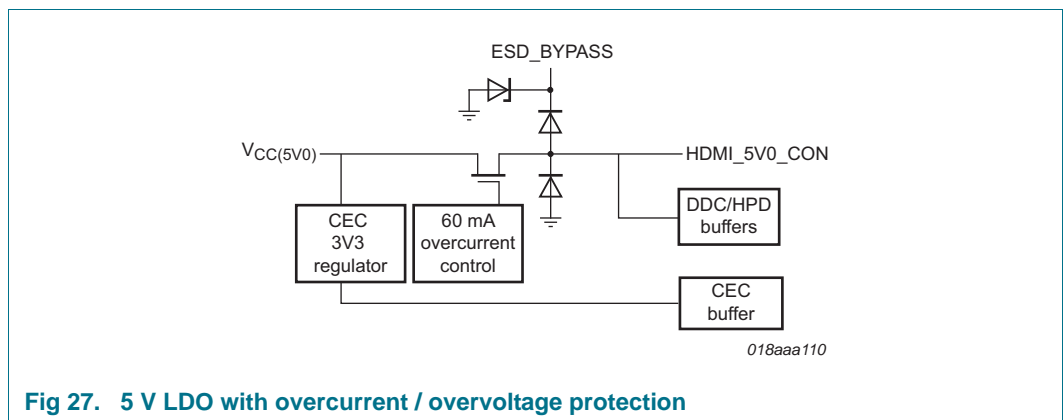


Fig 27. 5 V LDO with overcurrent / overvoltage protection

11.9 Schematic view of application

Only a single external component ($C_O = 1 \mu\text{F}$) is required to protect and interface the ASIC to a complete and compliant HDMI port. The 100 nF ESD bypass capacitor is optional.

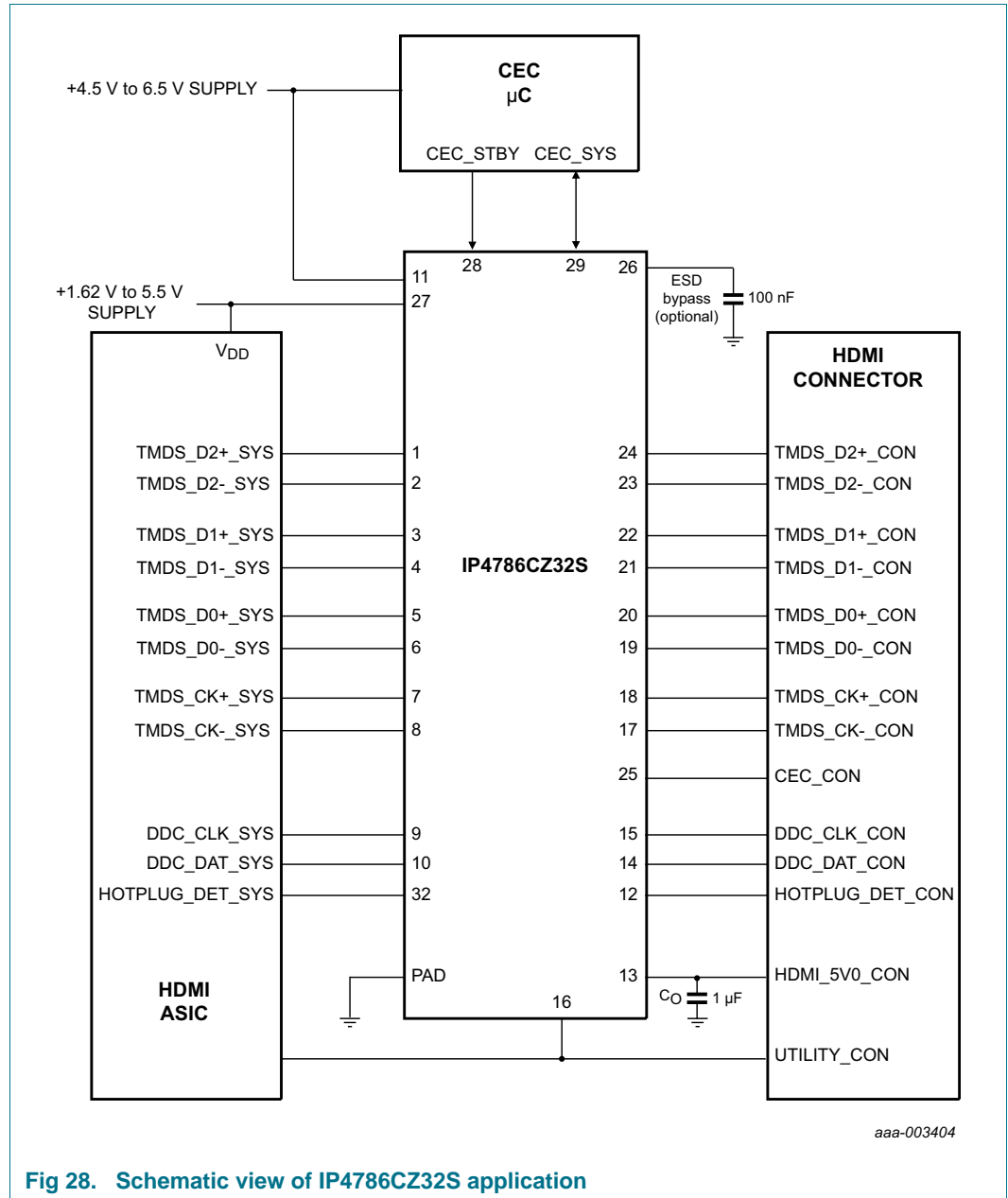


Fig 28. Schematic view of IP4786CZ32S application

11.10 Typical application

The IP4786CZ32S is designed to simplify routing to the HDMI connector, and ease the incorporation of high-level ESD protection into delicately balanced high-speed TMDS lines. These lines rely on tightly controlled microstrip or stripline transmission lines with minimal impedance discontinuities, which can deteriorate return loss, increase deterministic jitter and generally erode overall link signal integrity.

Normally when designing the PCB with standard shunt ESD clamps, careful consideration must be given to manual pre-compensation of the additional load of the added ESD component. With the IP4786CZ32S TLCs, the ESD suppressor is designed to maintain the characteristic impedance of the PCB microstrip or stripline, and therefore the designer needs only be concerned with the standard-controlled impedance of the unloaded PCB lines. This simplifies the task of the PCB designer, and minimizes the tuning cycles, which are sometimes required when pre-compensation misses the mark. A basic application diagram for the ESD protection of an HDMI interface is shown in [Figure 29](#) for a type-C HDMI connector.

The optimized HXQFN32 pinning simplifies the PCB design to keep the ESD protection close to the connector where it can minimize the coupling of the ESD pulse onto other lines in the system during a strike.

Due to the integrated pull-up and pull-down resistors, only two external capacitors are required to implement a fully compliant HDMI port.

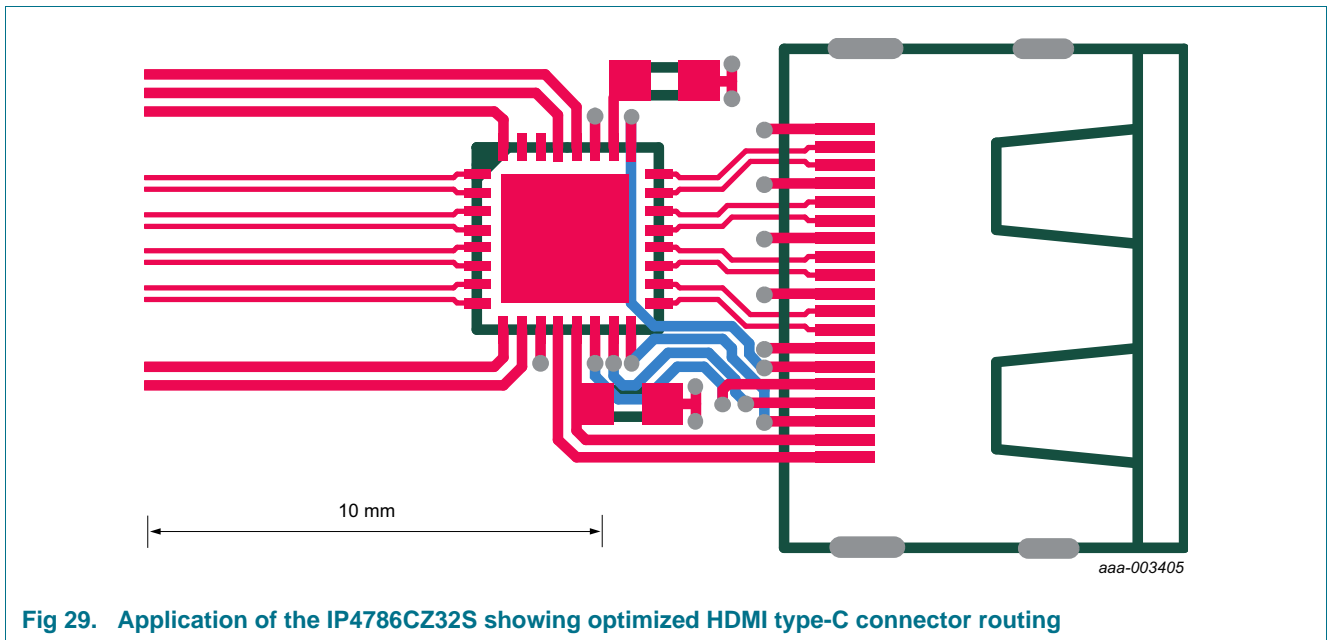


Fig 29. Application of the IP4786CZ32S showing optimized HDMI type-C connector routing

12. Package outline

HXQFN32: plastic thermal enhanced extremely thin quad flat package; no leads; 32 terminals; body 4 x 4 x 0.5 mm

SOT1318-1

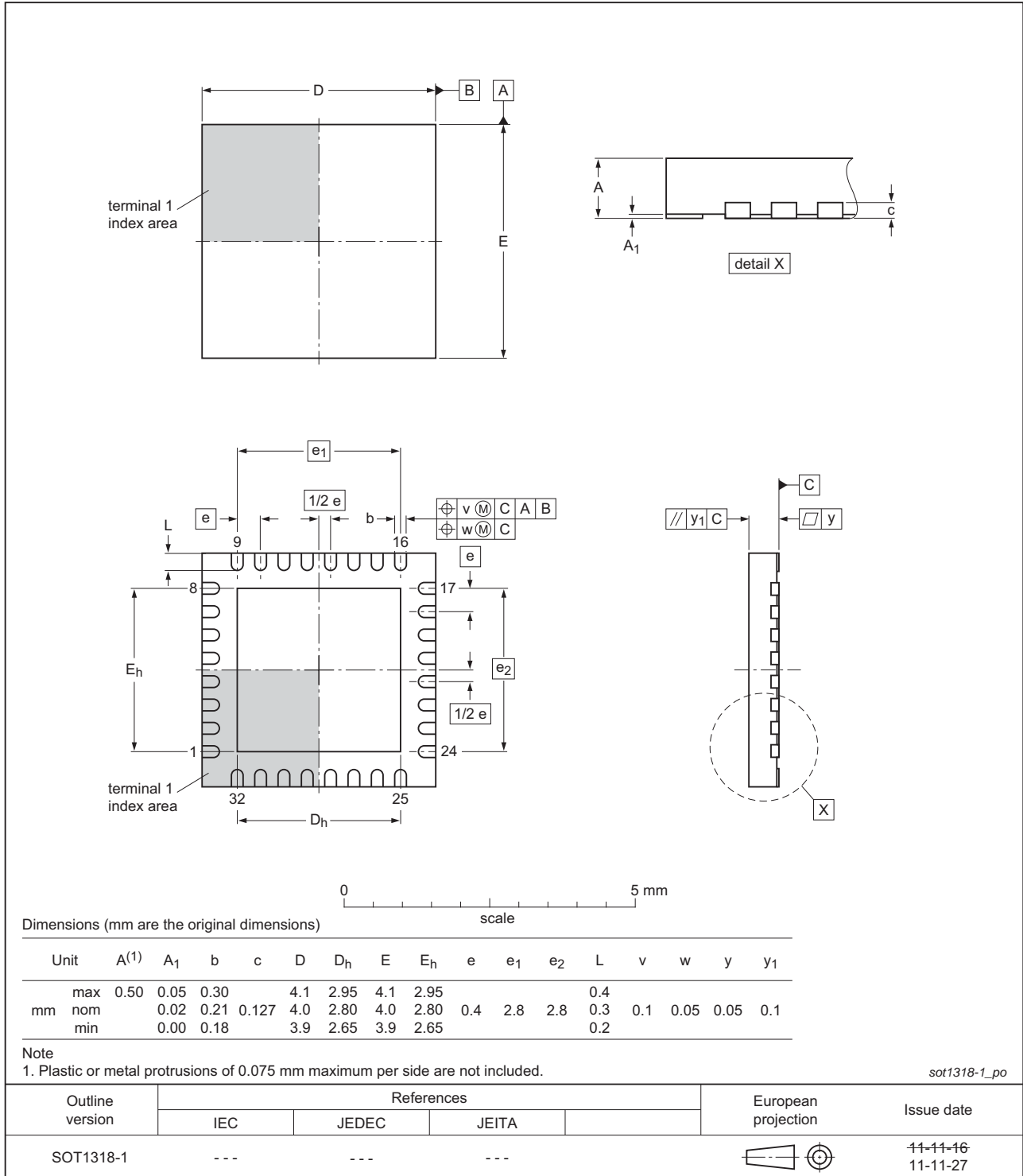


Fig 30. Package outline SOT1318-1 (HXQFN32)

13. Soldering of SMD packages

This text provides a very brief insight into a complex technology. A more in-depth account of soldering ICs can be found in Application Note *AN10365 "Surface mount reflow soldering description"*.

13.1 Introduction to soldering

Soldering is one of the most common methods through which packages are attached to Printed Circuit Boards (PCBs), to form electrical circuits. The soldered joint provides both the mechanical and the electrical connection. There is no single soldering method that is ideal for all IC packages. Wave soldering is often preferred when through-hole and Surface Mount Devices (SMDs) are mixed on one printed wiring board; however, it is not suitable for fine pitch SMDs. Reflow soldering is ideal for the small pitches and high densities that come with increased miniaturization.

13.2 Wave and reflow soldering

Wave soldering is a joining technology in which the joints are made by solder coming from a standing wave of liquid solder. The wave soldering process is suitable for the following:

- Through-hole components
- Leaded or leadless SMDs, which are glued to the surface of the printed circuit board

Not all SMDs can be wave soldered. Packages with solder balls, and some leadless packages which have solder lands underneath the body, cannot be wave soldered. Also, leaded SMDs with leads having a pitch smaller than ~0.6 mm cannot be wave soldered, due to an increased probability of bridging.

The reflow soldering process involves applying solder paste to a board, followed by component placement and exposure to a temperature profile. Leaded packages, packages with solder balls, and leadless packages are all reflow solderable.

Key characteristics in both wave and reflow soldering are:

- Board specifications, including the board finish, solder masks and vias
- Package footprints, including solder thieves and orientation
- The moisture sensitivity level of the packages
- Package placement
- Inspection and repair
- Lead-free soldering versus SnPb soldering

13.3 Wave soldering

Key characteristics in wave soldering are:

- Process issues, such as application of adhesive and flux, clinching of leads, board transport, the solder wave parameters, and the time during which components are exposed to the wave
- Solder bath specifications, including temperature and impurities

13.4 Reflow soldering

Key characteristics in reflow soldering are:

- Lead-free versus SnPb soldering; note that a lead-free reflow process usually leads to higher minimum peak temperatures (see [Figure 31](#)) than a SnPb process, thus reducing the process window
- Solder paste printing issues including smearing, release, and adjusting the process window for a mix of large and small components on one board
- Reflow temperature profile; this profile includes preheat, reflow (in which the board is heated to the peak temperature) and cooling down. It is imperative that the peak temperature is high enough for the solder to make reliable solder joints (a solder paste characteristic). In addition, the peak temperature must be low enough that the packages and/or boards are not damaged. The peak temperature of the package depends on package thickness and volume and is classified in accordance with [Table 12](#) and [13](#)

Table 12. SnPb eutectic process (from J-STD-020D)

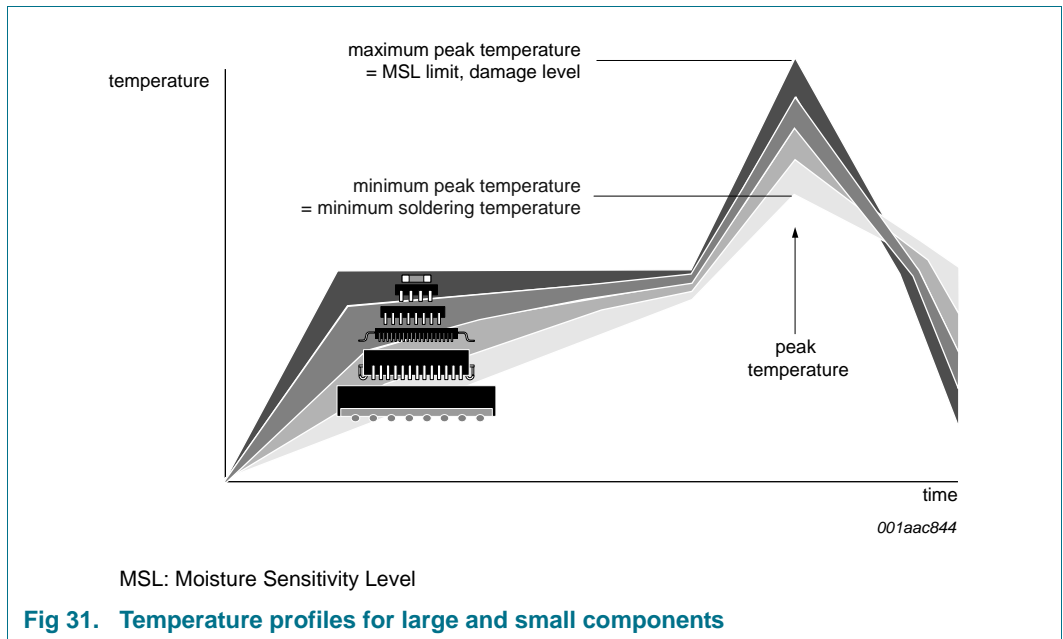
Package thickness (mm)	Package reflow temperature (°C)	
	Volume (mm ³)	
	< 350	≥ 350
< 2.5	235	220
≥ 2.5	220	220

Table 13. Lead-free process (from J-STD-020D)

Package thickness (mm)	Package reflow temperature (°C)		
	Volume (mm ³)		
	< 350	350 to 2000	> 2000
< 1.6	260	260	260
1.6 to 2.5	260	250	245
> 2.5	250	245	245

Moisture sensitivity precautions, as indicated on the packing, must be respected at all times.

Studies have shown that small packages reach higher temperatures during reflow soldering, see [Figure 31](#).



For further information on temperature profiles, refer to Application Note AN10365 “Surface mount reflow soldering description”.

14. Glossary

HDMI sink — Device which receives HDMI signals for example, a TV set.

HDMI source — Device which transmits HDMI signal for example, DVD player.

15. Revision history

Table 14. Revision history

Document ID	Release date	Data sheet status	Change notice	Supersedes
IP4786CZ32S v.3	20150107	Product data sheet	-	IP4786CZ32S v.2
Modifications:	<ul style="list-style-type: none">• Changed ESD protection from ± 8 kV to ± 12 kV• Section 2 “Features and benefits”: updated• Figure 1 “Functional diagram”: updated• Figure 8 “Eye diagram using IP4786CZ32S (2160p, 60 Hz)”: added• Section 16 “Legal information”: updated			
IP4786CZ32S v.2	20130711	Product data sheet	-	IP4786CZ32S v.1
IP4786CZ32S v.1	20120727	Preliminary data sheet	-	-

16. Legal information

16.1 Data sheet status

Document status ^{[1][2]}	Product status ^[3]	Definition
Objective [short] data sheet	Development	This document contains data from the objective specification for product development.
Preliminary [short] data sheet	Qualification	This document contains data from the preliminary specification.
Product [short] data sheet	Production	This document contains the product specification.

[1] Please consult the most recently issued document before initiating or completing a design.

[2] The term 'short data sheet' is explained in section "Definitions".

[3] The product status of device(s) described in this document may have changed since this document was published and may differ in case of multiple devices. The latest product status information is available on the Internet at URL <http://www.nxp.com>.

16.2 Definitions

Draft — The document is a draft version only. The content is still under internal review and subject to formal approval, which may result in modifications or additions. NXP Semiconductors does not give any representations or warranties as to the accuracy or completeness of information included herein and shall have no liability for the consequences of use of such information.

Short data sheet — A short data sheet is an extract from a full data sheet with the same product type number(s) and title. A short data sheet is intended for quick reference only and should not be relied upon to contain detailed and full information. For detailed and full information see the relevant full data sheet, which is available on request via the local NXP Semiconductors sales office. In case of any inconsistency or conflict with the short data sheet, the full data sheet shall prevail.

Product specification — The information and data provided in a Product data sheet shall define the specification of the product as agreed between NXP Semiconductors and its customer, unless NXP Semiconductors and customer have explicitly agreed otherwise in writing. In no event however, shall an agreement be valid in which the NXP Semiconductors product is deemed to offer functions and qualities beyond those described in the Product data sheet.

16.3 Disclaimers

Limited warranty and liability — Information in this document is believed to be accurate and reliable. However, NXP Semiconductors does not give any representations or warranties, expressed or implied, as to the accuracy or completeness of such information and shall have no liability for the consequences of use of such information. NXP Semiconductors takes no responsibility for the content in this document if provided by an information source outside of NXP Semiconductors.

In no event shall NXP Semiconductors be liable for any indirect, incidental, punitive, special or consequential damages (including - without limitation - lost profits, lost savings, business interruption, costs related to the removal or replacement of any products or rework charges) whether or not such damages are based on tort (including negligence), warranty, breach of contract or any other legal theory.

Notwithstanding any damages that customer might incur for any reason whatsoever, NXP Semiconductors' aggregate and cumulative liability towards customer for the products described herein shall be limited in accordance with the *Terms and conditions of commercial sale* of NXP Semiconductors.

Right to make changes — NXP Semiconductors reserves the right to make changes to information published in this document, including without limitation specifications and product descriptions, at any time and without notice. This document supersedes and replaces all information supplied prior to the publication hereof.

Suitability for use — NXP Semiconductors products are not designed, authorized or warranted to be suitable for use in life support, life-critical or safety-critical systems or equipment, nor in applications where failure or malfunction of an NXP Semiconductors product can reasonably be expected to result in personal injury, death or severe property or environmental damage. NXP Semiconductors and its suppliers accept no liability for inclusion and/or use of NXP Semiconductors products in such equipment or applications and therefore such inclusion and/or use is at the customer's own risk.

Applications — Applications that are described herein for any of these products are for illustrative purposes only. NXP Semiconductors makes no representation or warranty that such applications will be suitable for the specified use without further testing or modification.

Customers are responsible for the design and operation of their applications and products using NXP Semiconductors products, and NXP Semiconductors accepts no liability for any assistance with applications or customer product design. It is customer's sole responsibility to determine whether the NXP Semiconductors product is suitable and fit for the customer's applications and products planned, as well as for the planned application and use of customer's third party customer(s). Customers should provide appropriate design and operating safeguards to minimize the risks associated with their applications and products.

NXP Semiconductors does not accept any liability related to any default, damage, costs or problem which is based on any weakness or default in the customer's applications or products, or the application or use by customer's third party customer(s). Customer is responsible for doing all necessary testing for the customer's applications and products using NXP Semiconductors products in order to avoid a default of the applications and the products or of the application or use by customer's third party customer(s). NXP does not accept any liability in this respect.

Limiting values — Stress above one or more limiting values (as defined in the Absolute Maximum Ratings System of IEC 60134) will cause permanent damage to the device. Limiting values are stress ratings only and (proper) operation of the device at these or any other conditions above those given in the Recommended operating conditions section (if present) or the Characteristics sections of this document is not warranted. Constant or repeated exposure to limiting values will permanently and irreversibly affect the quality and reliability of the device.

Terms and conditions of commercial sale — NXP Semiconductors products are sold subject to the general terms and conditions of commercial sale, as published at <http://www.nxp.com/profile/terms>, unless otherwise agreed in a valid written individual agreement. In case an individual agreement is concluded only the terms and conditions of the respective agreement shall apply. NXP Semiconductors hereby expressly objects to applying the customer's general terms and conditions with regard to the purchase of NXP Semiconductors products by customer.

No offer to sell or license — Nothing in this document may be interpreted or construed as an offer to sell products that is open for acceptance or the grant, conveyance or implication of any license under any copyrights, patents or other industrial or intellectual property rights.

Export control — This document as well as the item(s) described herein may be subject to export control regulations. Export might require a prior authorization from competent authorities.

Quick reference data — The Quick reference data is an extract of the product data given in the Limiting values and Characteristics sections of this document, and as such is not complete, exhaustive or legally binding.

Non-automotive qualified products — Unless this data sheet expressly states that this specific NXP Semiconductors product is automotive qualified, the product is not suitable for automotive use. It is neither qualified nor tested in accordance with automotive testing or application requirements. NXP Semiconductors accepts no liability for inclusion and/or use of non-automotive qualified products in automotive equipment or applications.

In the event that customer uses the product for design-in and use in automotive applications to automotive specifications and standards, customer (a) shall use the product without NXP Semiconductors' warranty of the

product for such automotive applications, use and specifications, and (b) whenever customer uses the product for automotive applications beyond NXP Semiconductors' specifications such use shall be solely at customer's own risk, and (c) customer fully indemnifies NXP Semiconductors for any liability, damages or failed product claims resulting from customer design and use of the product for automotive applications beyond NXP Semiconductors' standard warranty and NXP Semiconductors' product specifications.

Translations — A non-English (translated) version of a document is for reference only. The English version shall prevail in case of any discrepancy between the translated and English versions.

16.4 Trademarks

Notice: All referenced brands, product names, service names and trademarks are the property of their respective owners.

17. Contact information

For more information, please visit: <http://www.nxp.com>

For sales office addresses, please send an email to: salesaddresses@nxp.com

18. Contents

1	General description	1
2	Features and benefits	1
3	Applications	2
4	Ordering information	2
5	Functional diagram	3
6	Pinning information	4
6.1	Pinning	4
6.2	Pin description	4
7	Limiting values	5
8	Static characteristics	6
9	Dynamic characteristics	11
10	AC waveforms	17
10.1	DDC propagation delay	17
10.2	DDC transition time	18
11	Application information	19
11.1	TMDS ESD	19
11.2	Operating and standby modes	20
11.3	DDC circuit	21
11.4	Logic low I ² C voltage shifter	22
11.5	Hot plug detect circuit and HEAC support ..	23
11.6	CEC	23
11.7	Backdrive protection	24
11.8	55 mA overcurrent / overvoltage LDO function	25
11.9	Schematic view of application	26
11.10	Typical application	27
12	Package outline	28
13	Soldering of SMD packages	29
13.1	Introduction to soldering	29
13.2	Wave and reflow soldering	29
13.3	Wave soldering	29
13.4	Reflow soldering	30
14	Glossary	31
15	Revision history	32
16	Legal information	33
16.1	Data sheet status	33
16.2	Definitions	33
16.3	Disclaimers	33
16.4	Trademarks	34
17	Contact information	34
18	Contents	35

Please be aware that important notices concerning this document and the product(s) described herein, have been included in section 'Legal information'.

© NXP Semiconductors N.V. 2015.

All rights reserved.

For more information, please visit: <http://www.nxp.com>

For sales office addresses, please send an email to: salesaddresses@nxp.com

Date of release: 7 January 2015

Document identifier: IP4786CZ32S