

5.5 V, 2 A Pch/Nch Power MOSFET with Drivers For Automotive

BD90302NUF-C

General Description

BD90302NUF-C are boost MOSFET with drivers for BD8Pxxx Series^(Note 1) exclusive use. BD8Pxxx Series is a buck DC/DC Converter with boost function. When used with BD8Pxxx Series, a synchronous buck-boost DC/DC Converter is constituted.
(Note 1) About whether it supports BD90302NUF-C, refer to Datasheet of BD8Pxxx Series.

Features

- AEC-Q100 Qualified^(Note 1)
 - Built-in Pch/Nch Power MOSFET with Drivers
 - CTLIN Pin Enables to Control Pch/Nch Power MOSFET
 - Wettable Flank SON Package
- (Note 1)* Grade 1

Applications

- Automotive Equipment (Cluster Panel, Infotainment Systems)
- Other Electronic Equipment

Key Specifications

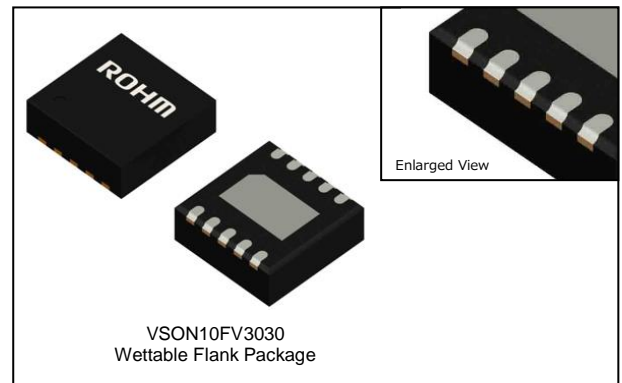
- PVOOUT Pin Voltage: 3.0 V to 5.5 V
- SW2 Pin Current: 2 A (Max)
- Pch Power MOSFET ON Resistance: 55 mΩ (Typ)
- Nch Power MOSFET ON Resistance: 65 mΩ (Typ)
- Shutdown Circuit Current: 0 μA (Typ)
- Operating Temperature: -40 °C to +125 °C

Package

VSON10FV3030

W(Typ) x D(Typ) x H(Max)

3.00 mm x 3.00 mm x 1.00 mm



Typical Application Circuit

Buck-Boost DC/DC Converter using BD8P250MUF-C.

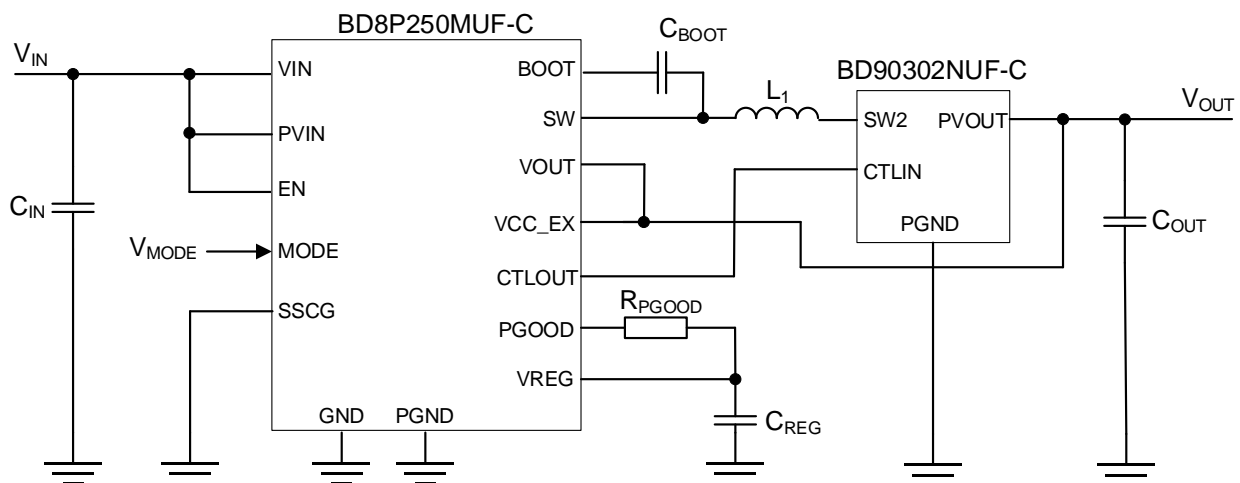
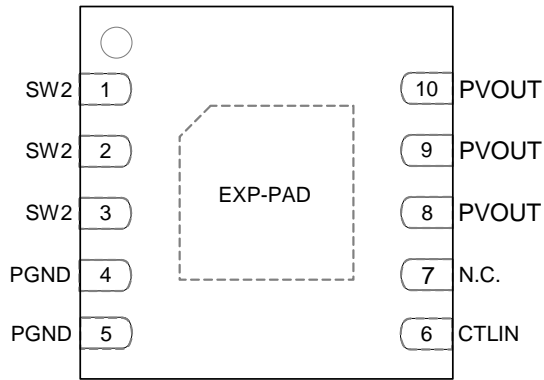


Figure 1. Application Circuit

Pin Configuration



(TOP VIEW)

Figure 2. Pin Configuration

Pin Descriptions

Pin No.	Pin Name	Function
1, 2, 3	SW2	Inductor connection pins. These pins are connected to the drain of Pch/Nch Power MOSFET.
4, 5	PGND	Ground pins. These pins are connected to the source of Nch Power MOSFET.
6	CTLIN	The pin for control of Pch/Nch Power MOSFET. Connect to the CTLOUT pin of BD8Pxxx Series.
7	N.C.	No connection pin. Leave this pin open.
8, 9, 10	PVOOUT	Output and internal power supply pins. These pins are connected to the source of Pch Power MOSFET.
-	EXP-PAD	A backside heat dissipation pad. Connecting to the internal PCB ground plane by using via provides excellent heat dissipation characteristics.

Block Diagram

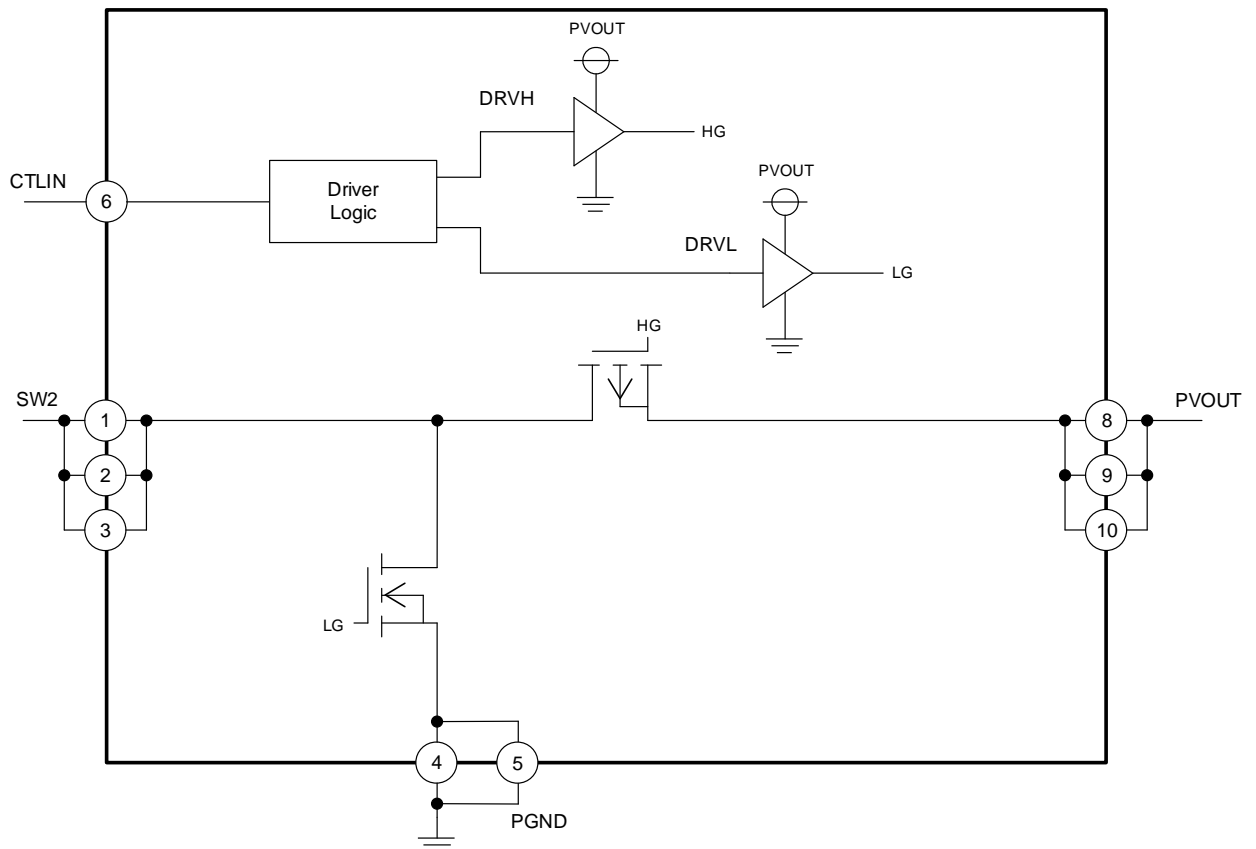


Figure 3. Block Diagram

Description of Blocks

1. Driver Logic
This circuit receives the CTLOUT signal output from BD8Pxxx Series and controls the Pch/Nch Power MOSFET for boost.
Pch Power MOSFET is OFF and Nch Power MOSFET is ON when the CTLIN pin is 2.0 V or more.
Pch Power MOSFET is ON and Nch Power MOSFET is OFF when the CTLIN pin is 0.8 V or less.
2. DRVH
This is the driver circuit to drive the gate of Pch Power MOSFET.
3. DRVL
This is the driver circuit to drive the gate of Nch Power MOSFET.

Absolute Maximum Ratings (Ta = 25 °C)

Parameter	Symbol	Rating	Unit
PVOUT Pin Voltage	V _{PVOUT}	-0.3 to +7.0	V
SW2 Pin Voltage	V _{SW2}	-0.3 to +7.0	V
CTLIN Pin Voltage	V _{CTLIN}	-0.3 to +7.0	V
SW2 Pin Current	I _{SW2}	3.5	A
Maximum Junction Temperature	T _{jmax}	150	°C
Storage Temperature Range	T _{stg}	-55 to +150	°C

Caution 1: Operating the IC over the absolute maximum ratings may damage the IC. The damage can either be a short circuit between pins or an open circuit between pins and the internal circuitry. Therefore, it is important to consider circuit protection measures, such as adding a fuse, in case the IC is operated over the absolute maximum ratings.

Caution 2: Should by any chance the maximum junction temperature rating be exceeded the rise in temperature of the chip may result in deterioration of the properties of the chip. In case of exceeding this absolute maximum rating, design a PCB with thermal resistance taken into consideration by increasing board size and copper area so as not to exceed the maximum junction temperature rating.

Caution 3: This IC does not have built-in thermal shutdown circuit and over current protection circuit that prevent damage to the IC. Operation of IC should always be within the IC's absolute maximum ratings.

Thermal Resistance (Note 1)

Parameter	Symbol	Thermal Resistance (Typ)		Unit
		1s ^(Note 3)	2s2p ^(Note 4)	
VSON10FV3030				
Junction to Ambient	θ_{JA}	223.3	41.5	°C/W
Junction to Top Characterization Parameter ^(Note 2)	Ψ_{JT}	56	6	°C/W

(Note 1) Based on JESD51-2A(Still-Air).

(Note 2) The thermal characterization parameter to report the difference between junction temperature and the temperature at the top center of the outside surface of the component package.

(Note 3) Using a PCB board based on JESD51-3.

(Note 4) Using a PCB board based on JESD51-5, 7.

Layer Number of Measurement Board	Material	Board Size
Single	FR-4	114.3 mm x 76.2 mm x 1.57 mmt

Top	
Copper Pattern	Thickness
Footprints and Traces	70 μ m

Layer Number of Measurement Board	Material	Board Size	Thermal Via ^(Note 5)	
			Pitch	Diameter
4 Layers	FR-4	114.3 mm x 76.2 mm x 1.6 mmt	1.20 mm	Φ 0.30 mm

Top		2 Internal Layers		Bottom	
Copper Pattern	Thickness	Copper Pattern	Thickness	Copper Pattern	Thickness
Footprints and Traces	70 μ m	74.2 mm x 74.2 mm	35 μ m	74.2 mm x 74.2 mm	70 μ m

(Note 5) This thermal via connects with the copper pattern of all layers.

Recommended Operating Conditions

Parameter	Symbol	Min	Typ	Max	Unit
PVOUT Pin Voltage	V_{PVOUT}	3.0	5.0	5.5	V
Operating Temperature	T_{opr}	-40	-	+125	°C
SW2 Pin Current	I_{SW2}	-	-	2	A
CTLIN Frequency	f_{CTLIN}	-	-	2.4	MHz

Electrical Characteristics (Unless otherwise specified $T_a = -40\text{ °C} \sim +125\text{ °C}$, $V_{PVOUT} = 5.0\text{ V}$)

Parameter	Symbol	Min	Typ	Max	Unit	Conditions
Shutdown Circuit Current	I_{SDN}	-	0	1	μA	$V_{CTLIN} = 0\text{ V}$, $T_a = 25\text{ °C}$
Circuit Current	I_{CC}	-	65	105	μA	$V_{CTLIN} = 5\text{ V}$, $T_a = 25\text{ °C}$
Pch Power MOSFET ON Resistance	R_{ONP}	-	55	90	m Ω	$V_{CTLIN} = 0\text{ V}$, $I_{SW2} = -50\text{ mA}$
Nch Power MOSFET ON Resistance	R_{ONN}	-	65	110	m Ω	$V_{CTLIN} = 5\text{ V}$, $I_{SW2} = +50\text{ mA}$
CTLIN Threshold Voltage High	V_{CTLINH}	2.0	-	5.5	V	
CTLIN Threshold Voltage Low	V_{CTLINL}	0	-	0.8	V	
CTLIN Input Current	I_{CTLIN}	-	0	1	μA	$V_{CTLIN} = 5\text{ V}$

Typical Performance Curves

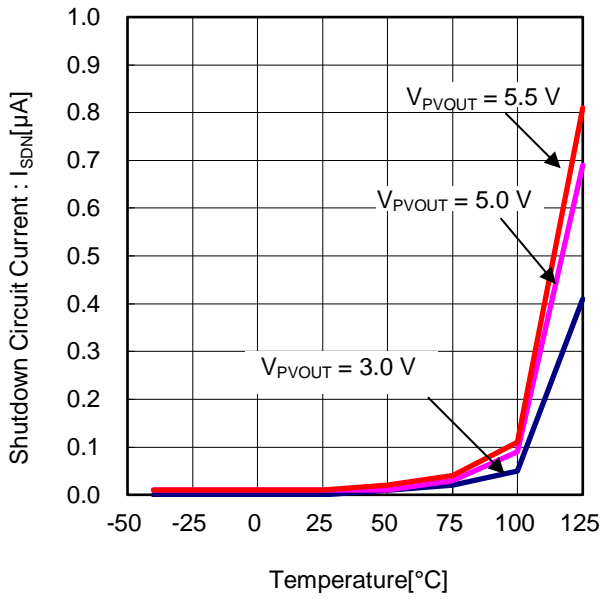


Figure 4. Shutdown Circuit Current vs Temperature

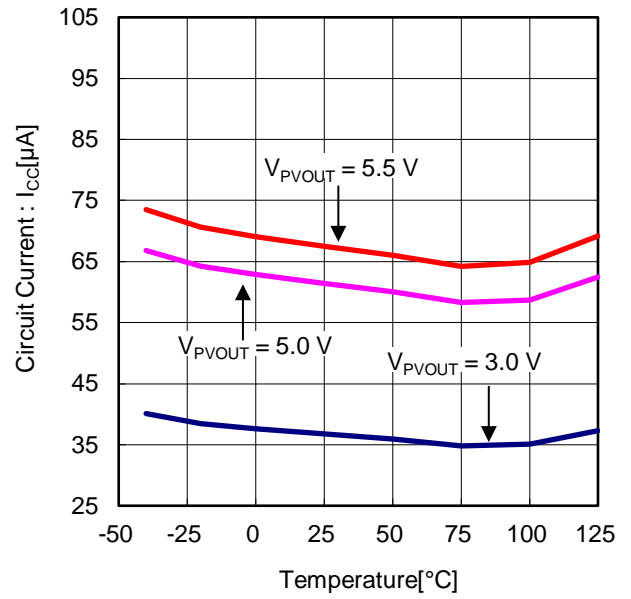


Figure 5. Circuit Current vs Temperature

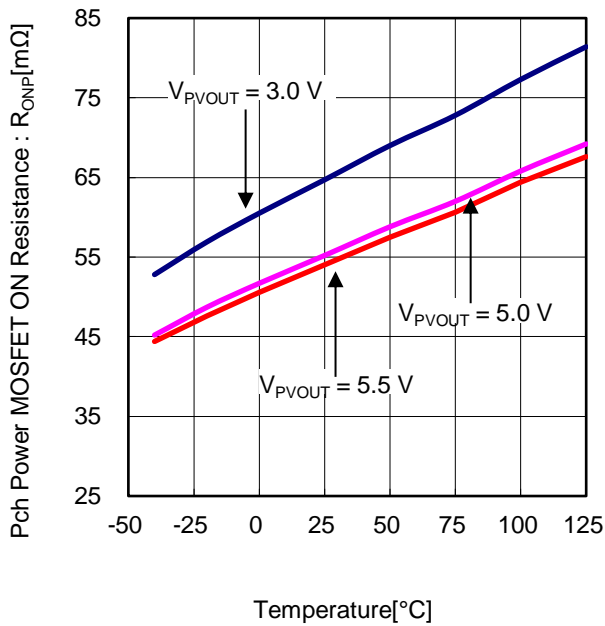


Figure 6. Pch Power MOSFET ON Resistance vs Temperature

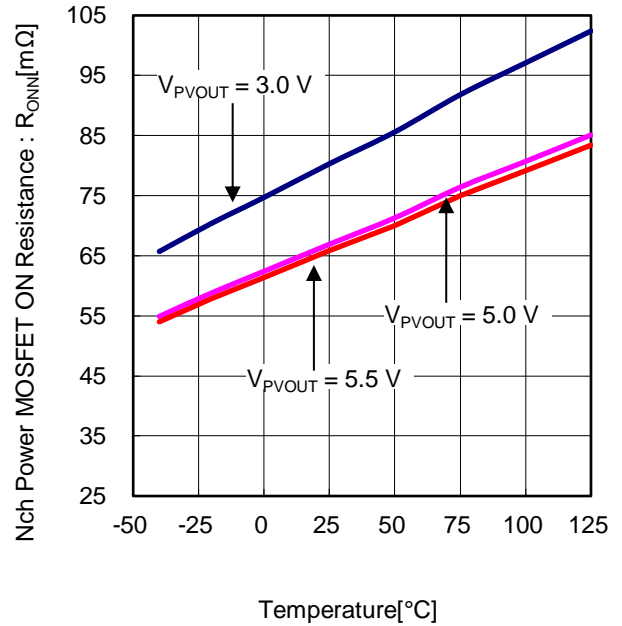


Figure 7. Nch Power MOSFET ON Resistance vs Temperature

Typical Performance Curves – continued

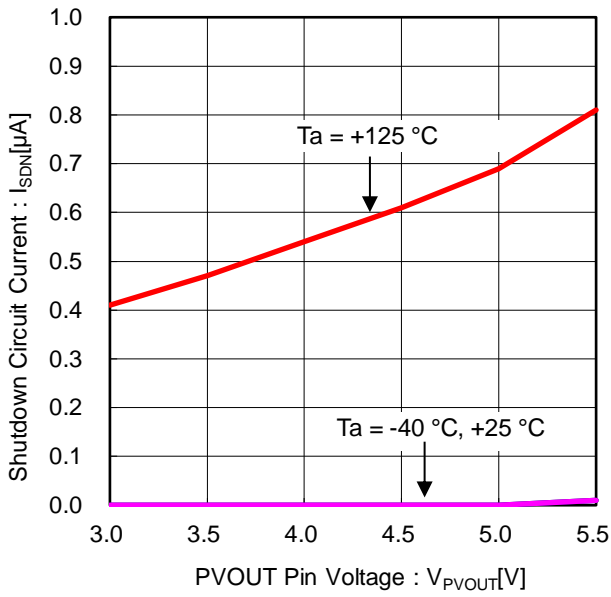


Figure 6. Shutdown Circuit Current vs PVOUT Pin Voltage

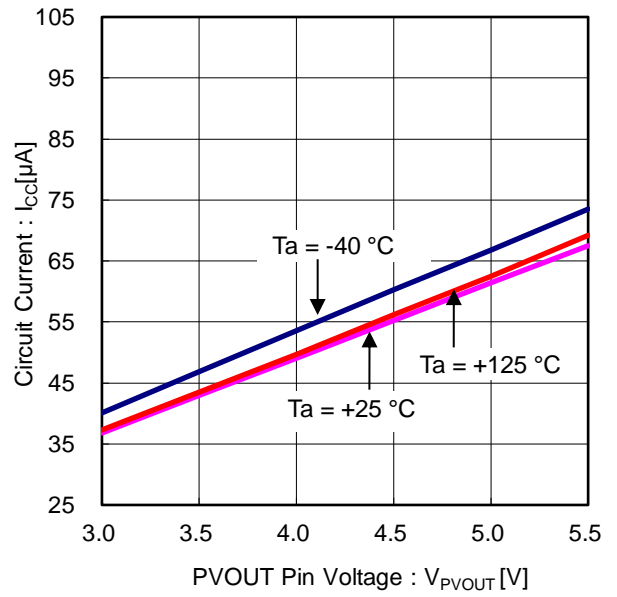


Figure 7. Circuit Current vs PVOUT Pin Voltage

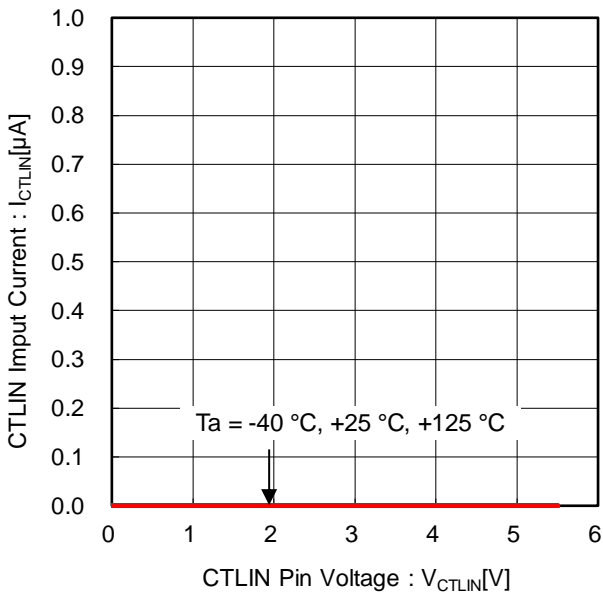


Figure 8. CTLIN Input Current vs CTLIN Pin Voltage

Function Explanations

Control Function

ON or OFF of Power MOSFET can be controlled by the voltage applied to the CTLIN pin.
 Pch Power MOSFET is OFF and Nch Power MOSFET is ON when the CTLIN pin is 2.0 V or more.
 Pch Power MOSFET is ON and Nch Power MOSFET is OFF when the CTLIN pin is 0.8 V or less.

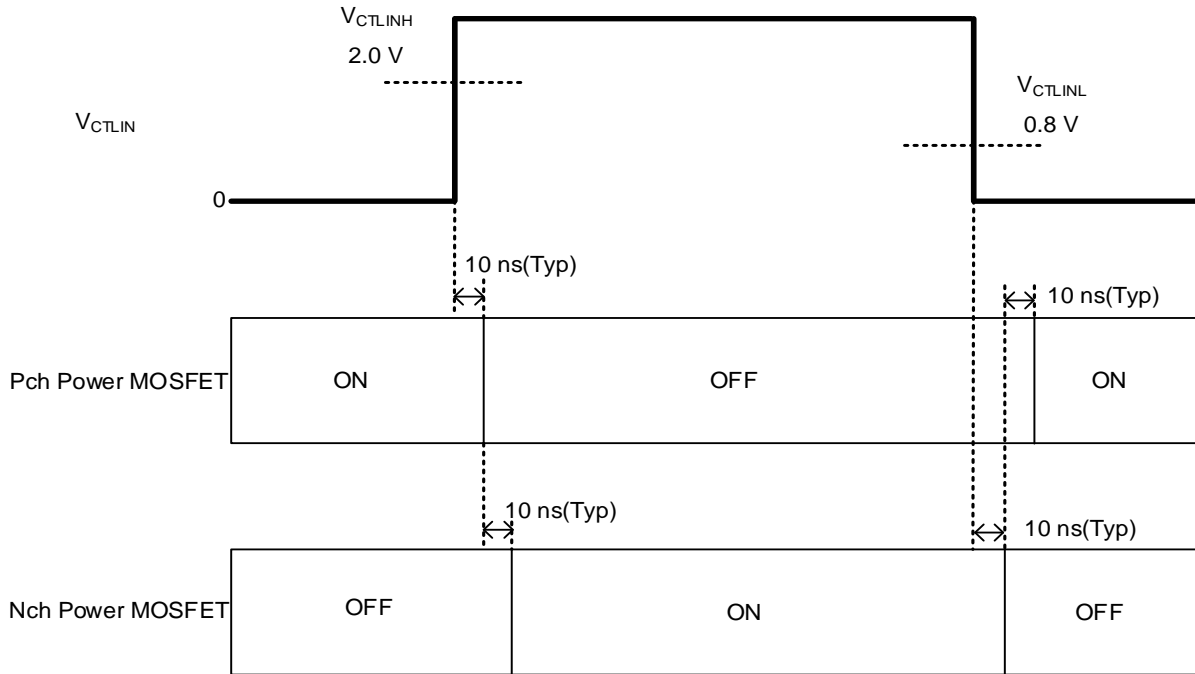


Figure 11. Control Function Timing Chart

Application Example

For Application Example, refer to Datasheet of BD8Pxxx Series.

PCB Layout Design

For the PCB Layout Design, refer to Datasheet of BD8Pxxx Series.

Power Dissipation

For thermal design, be sure to operate the IC within the following conditions.
(Since the temperatures described hereunder are all guaranteed temperatures, take margin into account.)

1. The ambient temperature T_a is to be 125 °C or less.
2. The chip junction temperature T_j is to be 150 °C or less.

The chip junction temperature T_j can be obtained in the following two equations:

1. To obtain T_j from the package surface center temperature T_t in actual use

$$T_j = T_t + \psi_{JT} \times W \text{ [}^\circ\text{C]}$$

2. To obtain T_j from the ambient temperature T_a

$$T_j = T_a + \theta_{JA} \times W \text{ [}^\circ\text{C]}$$

Where:

- ψ_{JT} is junction to top characterization parameter [$^\circ\text{C}/\text{W}$] ([Refer to page 4](#))
 θ_{JA} is junction to ambient [$^\circ\text{C}/\text{W}$] ([Refer to page 4](#))

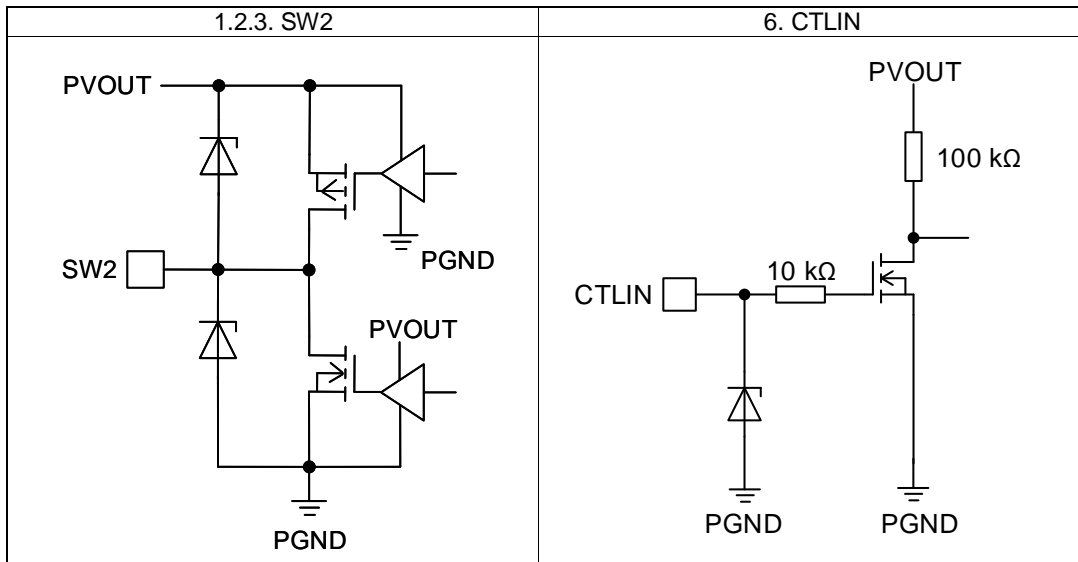
The heat loss W of the IC in the Shutdown can be obtained by the formula shown below:

$$W = R_{ONP} \times I_{OUT}^2 + V_{OUT} \times I_{SDN} \text{ [W]}$$

Where:

- R_{ONP} is the Pch Power MOSFET ON Resistance [Ω] ([Refer to page 5](#))
 I_{OUT} is the Output Current [A]
 V_{OUT} is the Output Voltage [V]
 I_{SDN} is the Shutdown Circuit Current [A] ([Refer to page 5](#))

I/O Equivalence Circuits



Operational Notes

1. Reverse Connection of Power Supply

Connecting the power supply in reverse polarity can damage the IC. Take precautions against reverse polarity when connecting the power supply, such as mounting an external diode between the power supply and the IC's power supply pins.

2. Power Supply Lines

Design the PCB layout pattern to provide low impedance supply lines. Furthermore, connect a capacitor to ground at all power supply pins. Consider the effect of temperature and aging on the capacitance value when using electrolytic capacitors.

3. Ground Voltage

Ensure that no pins are at a voltage below that of the ground pin at any time, even during transient condition.

4. Ground Wiring Pattern

When using both small-signal and large-current ground traces, the two ground traces should be routed separately but connected to a single ground at the reference point of the application board to avoid fluctuations in the small-signal ground caused by large currents. Also ensure that the ground traces of external components do not cause variations on the ground voltage. The ground lines must be as short and thick as possible to reduce line impedance.

5. Recommended Operating Conditions

The function and operation of the IC are guaranteed within the range specified by the recommended operating conditions. The characteristic values are guaranteed only under the conditions of each item specified by the electrical characteristics.

6. Inrush Current

When power is first supplied to the IC, it is possible that the internal logic may be unstable and inrush current may flow instantaneously due to the internal powering sequence and delays, especially if the IC has more than one power supply. Therefore, give special consideration to power coupling capacitance, power wiring, width of ground wiring, and routing of connections.

7. Testing on Application Boards

When testing the IC on an application board, connecting a capacitor directly to a low-impedance output pin may subject the IC to stress. Always discharge capacitors completely after each process or step. The IC's power supply should always be turned off completely before connecting or removing it from the test setup during the inspection process. To prevent damage from static discharge, ground the IC during assembly and use similar precautions during transport and storage.

8. Inter-pin Short and Mounting Errors

Ensure that the direction and position are correct when mounting the IC on the PCB. Incorrect mounting may result in damaging the IC. Avoid nearby pins being shorted to each other especially to ground, power supply and output pin. Inter-pin shorts could be due to many reasons such as metal particles, water droplets (in very humid environment) and unintentional solder bridge deposited in between pins during assembly to name a few.

9. Unused Input Pins

Input pins of an IC are often connected to the gate of a MOS transistor. The gate has extremely high impedance and extremely low capacitance. If left unconnected, the electric field from the outside can easily charge it. The small charge acquired in this way is enough to produce a significant effect on the conduction through the transistor and cause unexpected operation of the IC. So unless otherwise specified, unused input pins should be connected to the power supply or ground line.

Operational Notes – continued

10. Regarding the Input Pin of the IC

This monolithic IC contains P+ isolation and P substrate layers between adjacent elements in order to keep them isolated. P-N junctions are formed at the intersection of the P layers with the N layers of other elements, creating a parasitic diode or transistor. For example, (refer to figure below):

When $GND > Pin A$ and $GND > Pin B$, the P-N junction operates as a parasitic diode.
 When $GND > Pin B$, the P-N junction operates as a parasitic transistor.

Parasitic diodes inevitably occur in the structure of the IC. The operation of parasitic diodes can result in mutual interference among circuits, operational faults, or physical damage. Therefore, conditions that cause these diodes to operate, such as applying a voltage lower than the GND voltage to an input pin (and thus to the P substrate) should be avoided.

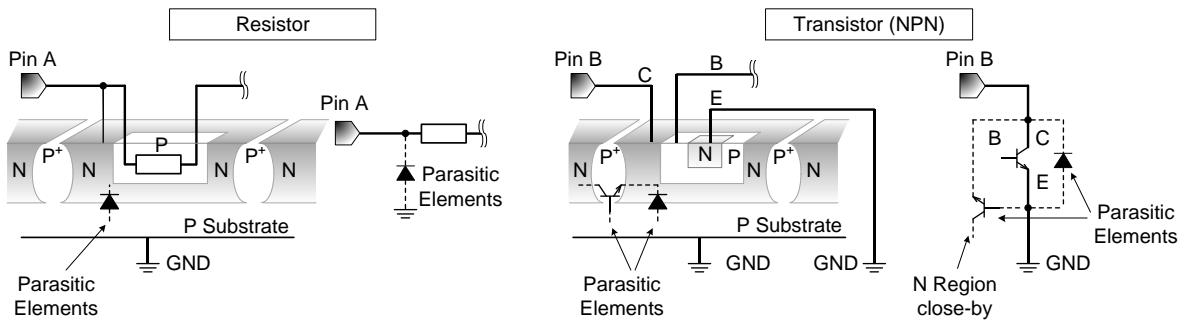
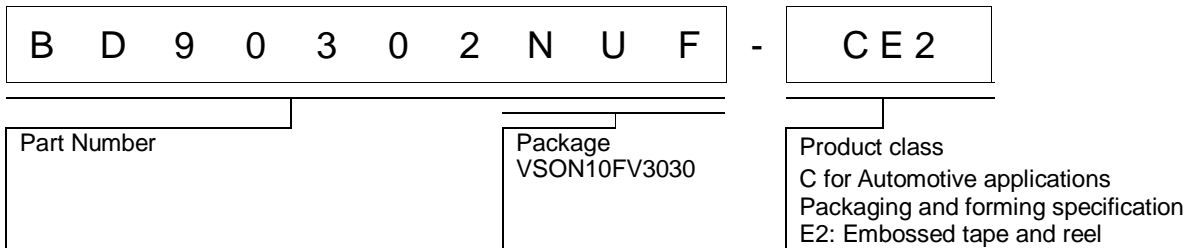


Figure 12. Example of Monolithic IC Structure

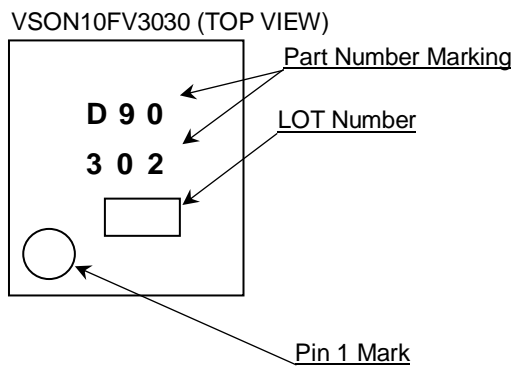
11. Ceramic Capacitor

When using a ceramic capacitor, determine a capacitance value considering the change of capacitance with temperature and the decrease in nominal capacitance due to DC bias and others.

Ordering Information

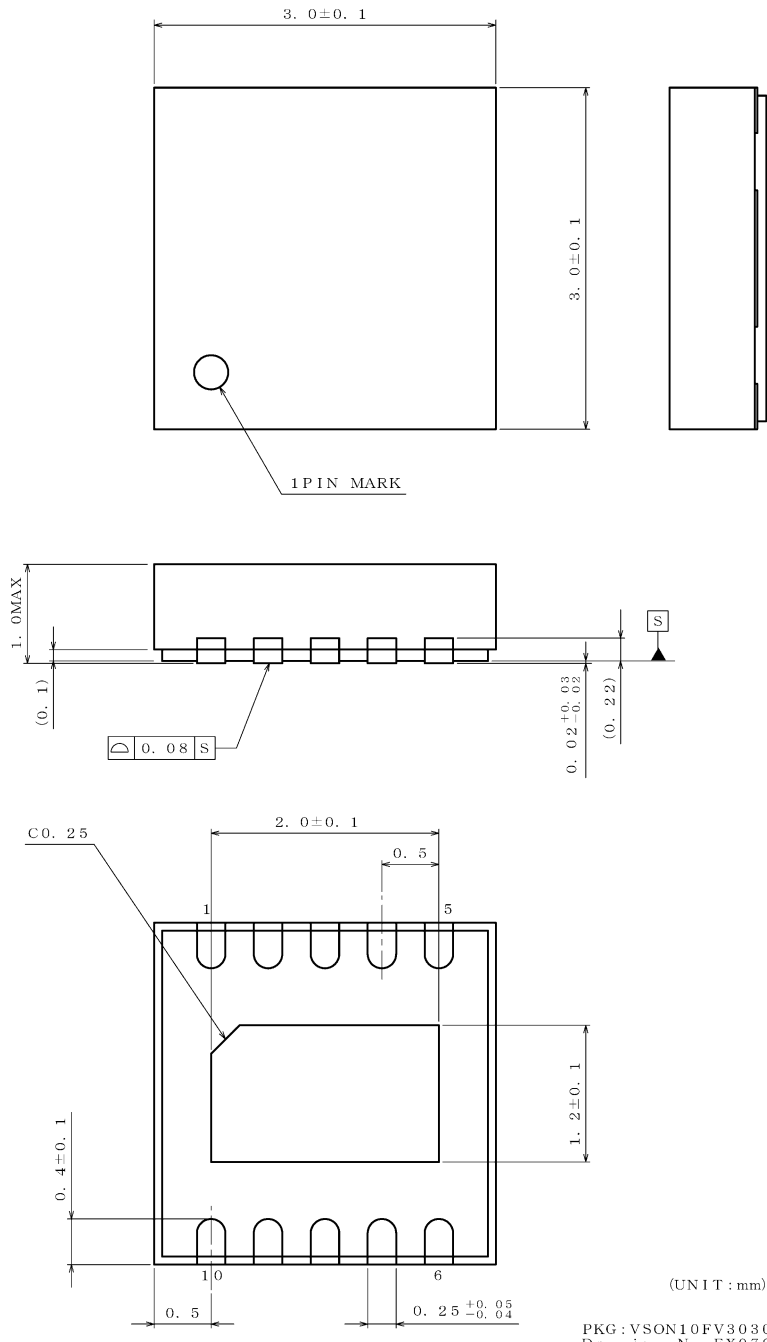


Marking Diagram



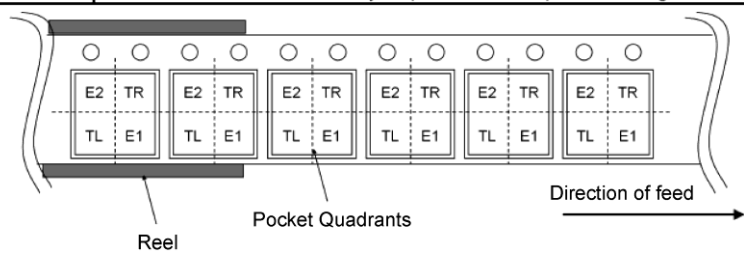
Physical Dimension and Packing Information

Package Name	VSON10FV3030
--------------	--------------



< Tape and Reel Information >

Tape	Embossed carrier tape
Quantity	3000pcs
Direction of feed	E2 The direction is the pin 1 of product is at the upper left when you hold reel on the left hand and you pull out the tape on the right hand



Revision History

Date	Revision	Changes
12.Sep.2018	001	New Release

Notice

Precaution on using ROHM Products

1. If you intend to use our Products in devices requiring extremely high reliability (such as medical equipment ^(Note 1), aircraft/spacecraft, nuclear power controllers, etc.) and whose malfunction or failure may cause loss of human life, bodily injury or serious damage to property ("Specific Applications"), please consult with the ROHM sales representative in advance. Unless otherwise agreed in writing by ROHM in advance, ROHM shall not be in any way responsible or liable for any damages, expenses or losses incurred by you or third parties arising from the use of any ROHM's Products for Specific Applications.

(Note1) Medical Equipment Classification of the Specific Applications

JAPAN	USA	EU	CHINA
CLASS III	CLASS III	CLASS II b	CLASS III
CLASS IV		CLASS III	

2. ROHM designs and manufactures its Products subject to strict quality control system. However, semiconductor products can fail or malfunction at a certain rate. Please be sure to implement, at your own responsibilities, adequate safety measures including but not limited to fail-safe design against the physical injury, damage to any property, which a failure or malfunction of our Products may cause. The following are examples of safety measures:
 - [a] Installation of protection circuits or other protective devices to improve system safety
 - [b] Installation of redundant circuits to reduce the impact of single or multiple circuit failure
3. Our Products are not designed under any special or extraordinary environments or conditions, as exemplified below. Accordingly, ROHM shall not be in any way responsible or liable for any damages, expenses or losses arising from the use of any ROHM's Products under any special or extraordinary environments or conditions. If you intend to use our Products under any special or extraordinary environments or conditions (as exemplified below), your independent verification and confirmation of product performance, reliability, etc, prior to use, must be necessary:
 - [a] Use of our Products in any types of liquid, including water, oils, chemicals, and organic solvents
 - [b] Use of our Products outdoors or in places where the Products are exposed to direct sunlight or dust
 - [c] Use of our Products in places where the Products are exposed to sea wind or corrosive gases, including Cl₂, H₂S, NH₃, SO₂, and NO₂
 - [d] Use of our Products in places where the Products are exposed to static electricity or electromagnetic waves
 - [e] Use of our Products in proximity to heat-producing components, plastic cords, or other flammable items
 - [f] Sealing or coating our Products with resin or other coating materials
 - [g] Use of our Products without cleaning residue of flux (even if you use no-clean type fluxes, cleaning residue of flux is recommended); or Washing our Products by using water or water-soluble cleaning agents for cleaning residue after soldering
 - [h] Use of the Products in places subject to dew condensation
4. The Products are not subject to radiation-proof design.
5. Please verify and confirm characteristics of the final or mounted products in using the Products.
6. In particular, if a transient load (a large amount of load applied in a short period of time, such as pulse. is applied, confirmation of performance characteristics after on-board mounting is strongly recommended. Avoid applying power exceeding normal rated power; exceeding the power rating under steady-state loading condition may negatively affect product performance and reliability.
7. De-rate Power Dissipation depending on ambient temperature. When used in sealed area, confirm that it is the use in the range that does not exceed the maximum junction temperature.
8. Confirm that operation temperature is within the specified range described in the product specification.
9. ROHM shall not be in any way responsible or liable for failure induced under deviant condition from what is defined in this document.

Precaution for Mounting / Circuit board design

1. When a highly active halogenous (chlorine, bromine, etc.) flux is used, the residue of flux may negatively affect product performance and reliability.
2. In principle, the reflow soldering method must be used on a surface-mount products, the flow soldering method must be used on a through hole mount products. If the flow soldering method is preferred on a surface-mount products, please consult with the ROHM representative in advance.

For details, please refer to ROHM Mounting specification

Precautions Regarding Application Examples and External Circuits

1. If change is made to the constant of an external circuit, please allow a sufficient margin considering variations of the characteristics of the Products and external components, including transient characteristics, as well as static characteristics.
2. You agree that application notes, reference designs, and associated data and information contained in this document are presented only as guidance for Products use. Therefore, in case you use such information, you are solely responsible for it and you must exercise your own independent verification and judgment in the use of such information contained in this document. ROHM shall not be in any way responsible or liable for any damages, expenses or losses incurred by you or third parties arising from the use of such information.

Precaution for Electrostatic

This Product is electrostatic sensitive product, which may be damaged due to electrostatic discharge. Please take proper caution in your manufacturing process and storage so that voltage exceeding the Products maximum rating will not be applied to Products. Please take special care under dry condition (e.g. Grounding of human body / equipment / solder iron, isolation from charged objects, setting of Ionizer, friction prevention and temperature / humidity control).

Precaution for Storage / Transportation

1. Product performance and soldered connections may deteriorate if the Products are stored in the places where:
 - [a] the Products are exposed to sea winds or corrosive gases, including Cl₂, H₂S, NH₃, SO₂, and NO₂
 - [b] the temperature or humidity exceeds those recommended by ROHM
 - [c] the Products are exposed to direct sunshine or condensation
 - [d] the Products are exposed to high Electrostatic
2. Even under ROHM recommended storage condition, solderability of products out of recommended storage time period may be degraded. It is strongly recommended to confirm solderability before using Products of which storage time is exceeding the recommended storage time period.
3. Store / transport cartons in the correct direction, which is indicated on a carton with a symbol. Otherwise bent leads may occur due to excessive stress applied when dropping of a carton.
4. Use Products within the specified time after opening a humidity barrier bag. Baking is required before using Products of which storage time is exceeding the recommended storage time period.

Precaution for Product Label

A two-dimensional barcode printed on ROHM Products label is for ROHM's internal use only.

Precaution for Disposition

When disposing Products please dispose them properly using an authorized industry waste company.

Precaution for Foreign Exchange and Foreign Trade act

Since concerned goods might be fallen under listed items of export control prescribed by Foreign exchange and Foreign trade act, please consult with ROHM in case of export.

Precaution Regarding Intellectual Property Rights

1. All information and data including but not limited to application example contained in this document is for reference only. ROHM does not warrant that foregoing information or data will not infringe any intellectual property rights or any other rights of any third party regarding such information or data.
2. ROHM shall not have any obligations where the claims, actions or demands arising from the combination of the Products with other articles such as components, circuits, systems or external equipment (including software).
3. No license, expressly or implied, is granted hereby under any intellectual property rights or other rights of ROHM or any third parties with respect to the Products or the information contained in this document. Provided, however, that ROHM will not assert its intellectual property rights or other rights against you or your customers to the extent necessary to manufacture or sell products containing the Products, subject to the terms and conditions herein.

Other Precaution

1. This document may not be reprinted or reproduced, in whole or in part, without prior written consent of ROHM.
2. The Products may not be disassembled, converted, modified, reproduced or otherwise changed without prior written consent of ROHM.
3. In no event shall you use in any way whatsoever the Products and the related technical information contained in the Products or this document for any military purposes, including but not limited to, the development of mass-destruction weapons.
4. The proper names of companies or products described in this document are trademarks or registered trademarks of ROHM, its affiliated companies or third parties.

General Precaution

1. Before you use our Products, you are requested to carefully read this document and fully understand its contents. ROHM shall not be in any way responsible or liable for failure, malfunction or accident arising from the use of any ROHM's Products against warning, caution or note contained in this document.
2. All information contained in this document is current as of the issuing date and subject to change without any prior notice. Before purchasing or using ROHM's Products, please confirm the latest information with a ROHM sales representative.
3. The information contained in this document is provided on an "as is" basis and ROHM does not warrant that all information contained in this document is accurate and/or error-free. ROHM shall not be in any way responsible or liable for any damages, expenses or losses incurred by you or third parties resulting from inaccuracy or errors of or concerning such information.