

## General Description

The DA14581 integrated circuit is an optimized version of the DA14580, offering a reduced boot time and supporting up to 8 connections. It has a fully integrated radio transceiver and baseband processor for *Bluetooth® low energy*. It can be used as a standalone application processor or as a data pump in hosted systems.

The DA14581 supports a flexible memory architecture for storing Bluetooth profiles and custom application code, which can be updated over the air (OTA). The qualified *Bluetooth low energy* protocol stack and the HCI ready software are stored in a dedicated ROM. All software runs on the ARM® Cortex®-M0 processor via a simple scheduler.

The *Bluetooth low energy* firmware includes the L2CAP service layer protocols, Security Manager (SM), Attribute Protocol (ATT), the Generic Attribute Profile (GATT) and the Generic Access Profile (GAP). All profiles published by the Bluetooth SIG as well as custom profiles are supported.

The transceiver interfaces directly to the antenna and is fully compliant with the *Bluetooth 4.2* standard.

The DA14581 has dedicated hardware for the Link Layer implementation of *Bluetooth low energy* and interface controllers for enhanced connectivity capabilities.

## Features

- Complies with *Bluetooth V4.2*, ETSI EN 300 328 and EN 300 440 Class 2 (Europe), FCC CFR47 Part 15 (US) and ARIB STD-T66 (Japan)
- Supports up to 8 Bluetooth low energy connections
- Fast cold boot in less than 30 ms
- Processing power
  - 16 MHz 32 bit ARM Cortex-M0 with SWD interface
  - Dedicated Link Layer Processor
- AES-128 bit encryption Processor
- Memories
  - 32 kB One-Time-Programmable (OTP) memory
  - 42 kB System SRAM
  - 84 kB ROM
  - 8 kB Retention SRAM
- Power management
  - Integrated Buck/Boost DC-DC converter
  - P0, P1 and P2 ports with 3.3 V tolerance
  - Easy decoupling of only 4 supply pins
  - Supports coin (typ. 3.0 V) and alkaline (typ. 1.5 V) battery cells
  - 10-bit ADC for battery voltage measurement
- Digital controlled oscillators
  - 16 MHz crystal ( $\pm 20$  ppm max) and RC oscillator
  - 32 kHz crystal ( $\pm 50$  ppm,  $\pm 500$  ppm max) and RCX oscillator
- General purpose, Capture and Sleep timers
- Digital interfaces
  - Gen. purpose I/Os: 14 (WLCSP34), 24 (QFN40)
  - 2 UARTs with hardware flow control up to 1 MBd
  - SPI+™ interface
  - I2C bus at 100 kHz, 400 kHz
  - 3-axes capable Quadrature Decoder
- Analog interfaces
  - 4-channel 10-bit ADC
- Radio transceiver
  - Fully integrated 2.4 GHz CMOS transceiver
  - Single wire antenna: no RF matching or RX/TX switching required
  - Supply current at VBAT3V:
    - TX: 3.4 mA, RX: 3.7 mA (with ideal DC-DC)
  - 0 dBm transmit output power
  - -20 dBm output power in "Near Field Mode"
  - -93 dBm receiver sensitivity
- Packages:
  - Ultra-Thin WLCSP 34 pins, 2.436 mm x 2.436 mm x 0.334 mm
  - WLCSP 34 pins, 2.436 mm x 2.436 mm x 0.511 mm
  - QFN 40 pins, 5 mm x 5 mm

## System Diagram



## Contents

<b>General Description</b> .....	<b>1</b>	11.4 GENERAL CLOCK CONSTRAINTS .....	31
<b>Features</b> .....	<b>1</b>	<b>12 OTP Controller</b> .....	<b>32</b>
<b>System Diagram</b> .....	<b>1</b>	12.1 OPERATING MODES .....	32
<b>Contents</b> .....	<b>2</b>	12.2 AHB MASTER INTERFACE .....	32
<b>1 Block Diagram</b> .....	<b>4</b>	<b>13 I2C Interface</b> .....	<b>33</b>
<b>2 Pinout</b> .....	<b>5</b>	13.1 I2C BUS TERMS .....	33
<b>3 Ordering Information</b> .....	<b>8</b>	13.1.1 Bus Transfer Terms .....	34
<b>4 System Overview</b> .....	<b>9</b>	13.2 I2C BEHAVIOR .....	34
4.1 INTERNAL BLOCKS .....	9	13.2.1 START and STOP Generation .....	35
4.2 FUNCTIONAL MODES .....	9	13.2.2 Combined Formats .....	35
4.3 OTP MEMORY LAYOUT .....	10	13.3 I2C PROTOCOLS .....	35
4.3.1 OTP Header .....	10	13.3.1 START and STOP Conditions .....	35
4.4 SYSTEM START PROCEDURE .....	11	13.3.2 Addressing Slave Protocol .....	35
4.4.1 Power/Wake-Up Sequence .....	12	13.3.3 Transmitting and Receiving Protocols .....	36
4.4.2 OTP Mirroring .....	13	13.4 MULTIPLE MASTER ARBITRATION .....	38
4.4.3 BootROM Sequence .....	14	13.5 CLOCK SYNCHRONIZATION .....	39
4.5 POWER SUPPLY CONFIGURATION .....	16	13.6 OPERATION MODES .....	40
4.5.1 Power Domains .....	16	13.6.1 Slave Mode Operation .....	40
4.5.2 Power Modes .....	17	13.6.2 Master Mode Operation .....	42
4.5.3 Retention Registers .....	17	13.6.3 Disabling the I2C Controller .....	42
<b>5 Reset</b> .....	<b>19</b>	<b>14 UART</b> .....	<b>43</b>
5.1 POR, HW AND SW RESET .....	19	14.1 UART (RS232) SERIAL PROTOCOL .....	44
<b>6 ARM Cortex-M0</b> .....	<b>20</b>	14.2 IRDA 1.0 SIR PROTOCOL .....	44
6.1 INTERRUPTS .....	21	14.3 CLOCK SUPPORT .....	45
6.2 SYSTEM TIMER (SYSTICK) .....	22	14.4 INTERRUPTS .....	46
6.3 WAKE-UP INTERRUPT CONTROLLER .....	22	14.5 PROGRAMMABLE THRE INTERRUPT .....	46
6.4 REFERENCE .....	22	14.6 SHADOW REGISTERS .....	48
<b>7 AMBA Bus Overview</b> .....	<b>23</b>	14.7 DIRECT TEST MODE .....	48
<b>8 Patch Block</b> .....	<b>24</b>	<b>15 SPI+ Interface</b> .....	<b>49</b>
<b>9 Memory Map</b> .....	<b>25</b>	15.1 OPERATION WITHOUT FIFOS .....	49
<b>10 Memory Controller</b> .....	<b>27</b>	15.2 9 BITS MODE .....	50
10.1 ARBITRATION .....	27	<b>16 Quadrature Decoder</b> .....	<b>53</b>
<b>11 Clock Generation</b> .....	<b>28</b>	<b>17 Wake-Up Timer</b> .....	<b>54</b>
11.1 CRYSTAL OSCILLATORS .....	28	<b>18 General Purpose Timers</b> .....	<b>55</b>
11.1.1 FRequency Control (16 MHz Crystal) .....	28	18.1 TIMER 0 .....	55
11.1.2 Automated Trimming Mechanism .....	28	18.2 TIMER 2 .....	57
11.2 RC OSCILLATORS .....	29	<b>19 Watchdog Timer</b> .....	<b>59</b>
11.2.1 Frequency Calibration .....	29	<b>20 Keyboard Controller</b> .....	<b>60</b>
11.3 SYSTEM CLOCK GENERATION .....	30	20.1 KEYBOARD SCANNER .....	60
		20.2 GPIO INTERRUPT GENERATOR .....	60

<b>21</b>	<b>Input/Output Ports</b>	<b>62</b>
21.1	PROGRAMMABLE PIN ASSIGNMENT	62
21.2	GENERAL PURPOSE PORT REGISTERS	62
21.2.1	Port Data Register	63
21.2.2	Port Set Data Output Register	63
21.2.3	Port Reset Data Output Register	63
21.3	FIXED ASSIGNMENT FUNCTIONALITY	63
<b>22</b>	<b>General Purpose ADC</b>	<b>64</b>
22.1	INPUT CHANNELS AND INPUT SCALE	64
22.2	STARTING THE ADC AND SAMPLING RATE	64
22.3	NON-IDEAL EFFECTS	65
22.4	CHOPPING	65
22.5	OFFSET CALIBRATION	65
22.6	ZERO-SCALE ADJUSTMENT	66
22.7	COMMON MODE ADJUSTMENT	66
22.8	INPUT IMPEDANCE, INDUCTANCE AND INPUT SETTLING	66
22.9	DELAY COUNTER	67
<b>23</b>	<b>Power Management</b>	<b>68</b>
<b>24</b>	<b>BLE Core</b>	<b>71</b>
24.1	EXCHANGE MEMORY	71
24.2	PROGRAMMING BLE WAKE UP IRQ	73
24.3	SWITCH FROM ACTIVE MODE TO DEEP SLEEP MODE	73
24.4	SWITCH FROM DEEP SLEEP MODE TO ACTIVE MODE	74
24.4.1	Switching at Anchor Points	74
24.4.2	Switching Due to an External Event	76
<b>25</b>	<b>Radio</b>	<b>77</b>
25.1	RECEIVER	77
25.2	SYNTHESIZER	77
25.3	TRANSMITTER	77
25.4	RFIO	77
25.5	BIASING	77
25.6	CONTROL	77
<b>26</b>	<b>Registers</b>	<b>78</b>
<b>27</b>	<b>Specifications</b>	<b>217</b>
<b>28</b>	<b>Package Information</b>	<b>229</b>
28.1	MOISTURE SENSITIVITY LEVEL (MSL)	229
28.2	WLCSP HANDLING	229
28.3	SOLDERING INFORMATION	229
28.4	PACKAGE OUTLINES	230

1 Block Diagram

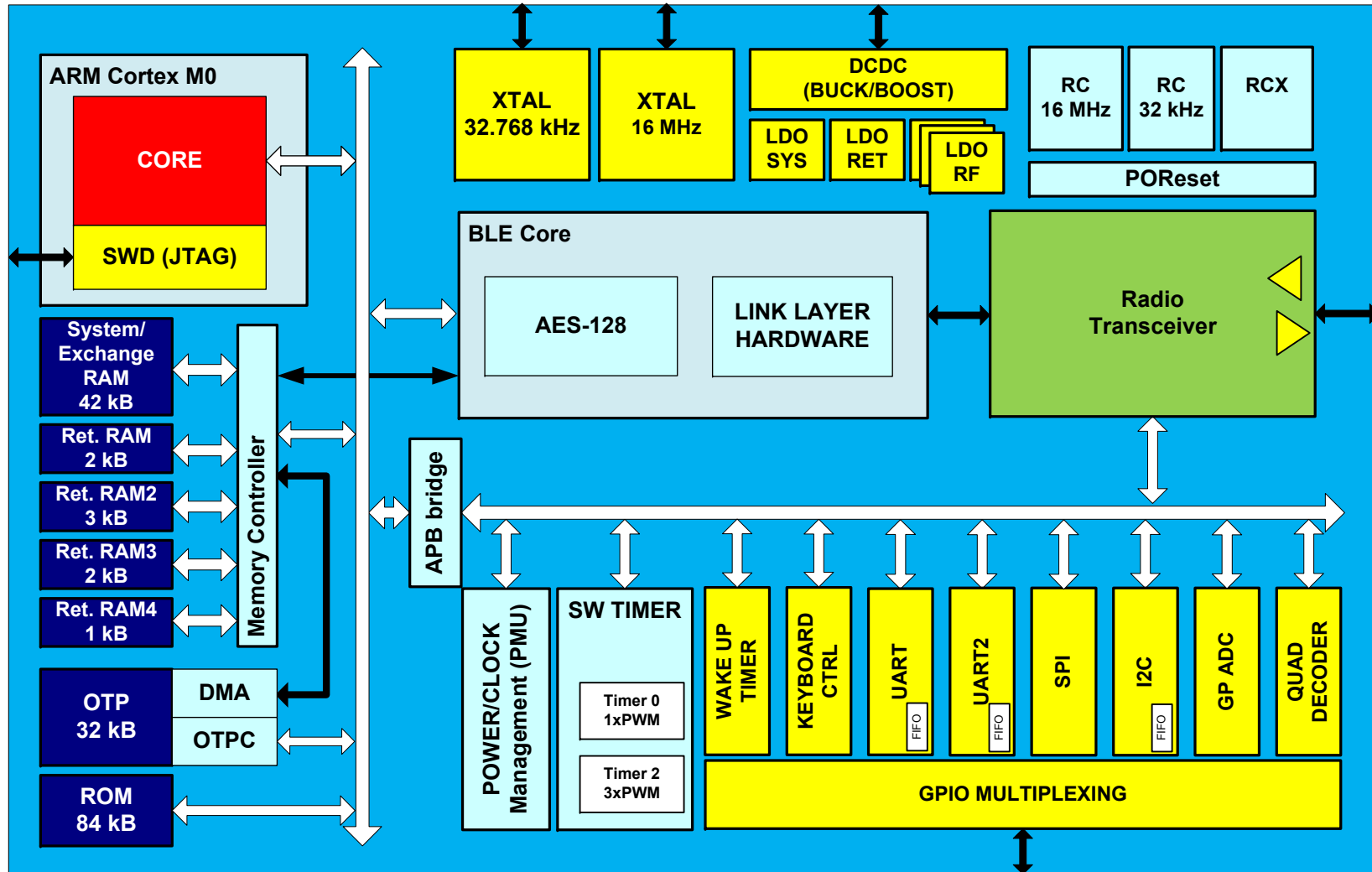


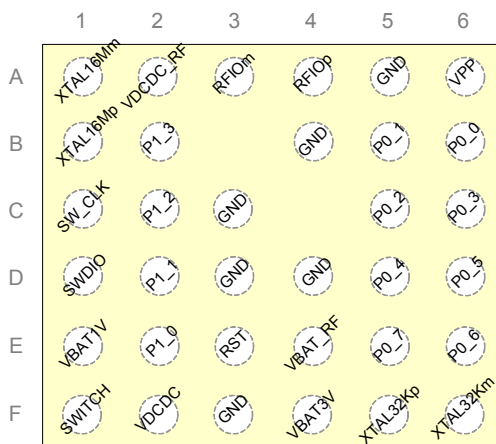
Figure 1: DA14581 Block Diagram

## 2 Pinout

The DA14581 comes in three packages:

- A Wafer Level Chip Scale Package (WLCSP) with 34 balls (normal thickness and ultra-thin)

- A Quad Flat Package No Leads (QFN) with 40 pins
- The actual pin/ball assignment is depicted in the following figures:



DA14581 (Top View)

Figure 2: WLCSP Ball Assignment

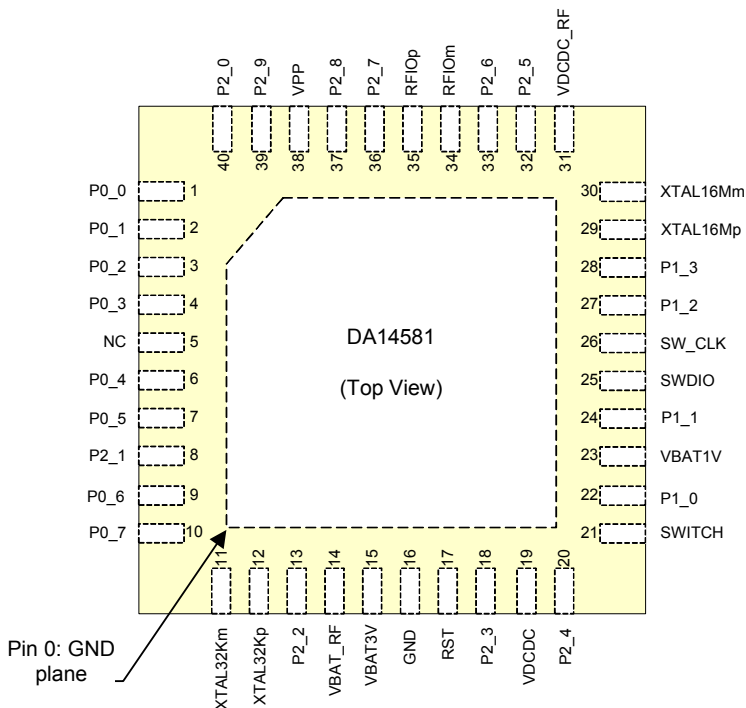


Figure 3: QFN40 Pin Assignment

Table 1: Pin Description

Pin Name	Type	Drive (mA)	Reset State	Description
<b>General Purpose I/Os</b>				
P0_0 P0_1 P0_2 P0_3 P0_4 P0_5 P0_6 P0_7	DIO DIO DIO DIO DIO DIO DIO DIO	4.8	I-PD I-PD I-PD I-PD I-PD I-PD I-PD I-PD	INPUT/OUTPUT with selectable pull up/down resistor. Pull-down enabled during and after reset. General purpose I/O port bit or alternate function nodes. Contains state retention mechanism during power down.
P1_0 P1_1 P1_2 P1_3 P1_4/SWCLK P1_5/SW_DIO	DIO DIO DIO DIO DIO DIO	4.8	I-PD I-PD I-PD I-PD I-PD I-PU	INPUT/OUTPUT with selectable pull up/down resistor. Pull-down enabled during and after reset. General purpose I/O port bit or alternate function nodes. Contains state retention mechanism during power down. This signal is the JTAG clock by default This signal is the JTAG data I/O by default
P2_0 P2_1 P2_2 P2_3 P2_4 P2_5 P2_6 P2_7 P2_8 P2_9	DIO DIO DIO DIO DIO DIO DIO DIO DIO DIO	4.8	I-PD I-PD I-PD I-PD I-PD I-PD I-PD I-PD I-PD I-PD	INPUT/OUTPUT with selectable pull up/down resistor. Pull-down enabled during and after reset. General purpose I/O port bit or alternate function nodes. Contains state retention mechanism during power down. <b>NOTE: This port is only available on the QFN40 package.</b>
P3_0 to P3_7	DIO	4.8	I-PD	Not supported.
<b>Debug interface</b>				
SWDIO/P1_5	DIO	4.8	I-PU	INPUT/OUTPUT. JTAG Data input/output. Bidirectional data and control communication. Can also be used as a GPIO
SW_CLK/ P1_4	DIO	4.8	I-PD	INPUT JTAG clock signal. Can also be used as a GPIO
<b>Clocks</b>				
XTAL16Mp	AI			INPUT. Crystal input for the 16 MHz XTAL
XTAL16Mm	AO			OUTPUT. Crystal output for the 16 MHz XTAL
XTAL32kp	AI			INPUT. Crystal input for the 32.768 kHz XTAL
XTAL32km	AO			OUTPUT. Crystal output for the 32.768 kHz XTAL
<b>Quadrature Decoder</b>				
QD_CHA_X	DI			INPUT. Channel A for the X axis. Mapped on Px ports
QD_CHB_X	DI			INPUT. Channel B for the X axis. Mapped on Px ports
QD_CHA_Y	DI			INPUT. Channel A for the Y axis. Mapped on Px ports
QD_CHB_Y	DI			INPUT. Channel B for the Y axis. Mapped on Px ports
QD_CHA_Z	DI			INPUT. Channel A for the Z axis. Mapped on Px ports
QD_CHB_Z	DI			INPUT. Channel B for the Z axis. Mapped on Px ports
<b>SPI Bus Interface</b>				
SPI_CLK	DO			INPUT/OUTPUT. SPI Clock. Mapped on Px ports
SPI_DI	DI			INPUT. SPI Data input. Mapped on Px ports
SPI_DO	DO			OUTPUT. SPI Data output. Mapped on Px ports

Table 1: Pin Description

Pin Name	Type	Drive (mA)	Reset State	Description
SPI_EN	DI			INPUT. SPI Clock enable. Mapped on Px ports
<b>I2C Bus Interface</b>				
SDA	DIO/DIOD			INPUT/OUTPUT. I2C bus Data with open drain port. Mapped on Px ports
SCL	DIO/DIOD			INPUT/OUTPUT. I2C bus Clock with open drain port. In open drain mode, SCL is monitored to support bit stretching by a slave. Mapped on Px ports.
<b>UART Interface</b>				
UTX	DO			OUTPUT. UART transmit data. Mapped on Px ports
URX	DI			INPUT. UART receive data. Mapped on Px ports
URTS	DO			OUTPUT. UART Request to Send. Mapped on Px ports
UCTS	DI			INPUT. UART Clear to Send. Mapped on Px ports
UTX2	DO			OUTPUT. UART 2 transmit data. Mapped on Px ports
URX2	DI			INPUT. UART 2 receive data. Mapped on Px ports
URTS2	DO			OUTPUT. UART 2 Request to Send. Mapped on Px ports
UCTS2	DI			INPUT. UART 2 Clear to Send. Mapped on Px ports
<b>Analog Interface</b>				
ADC[0]	AI			INPUT. Analog to Digital Converter input 0. Mapped on P0[0]
ADC[1]	AI			INPUT. Analog to Digital Converter input 1. Mapped on P0[1]
ADC[2]	AI			INPUT. Analog to Digital Converter input 2. Mapped on P0[2]
ADC[3]	AI			INPUT. Analog to Digital Converter input 3. Mapped on P0[3]
<b>Radio Transceiver</b>				
RFIOp	AIO			RF input/output. Impedance 50 Ω.
RFIOm	AIO			RF ground
<b>Miscellaneous</b>				
RST	DI			INPUT. Reset signal (active high). Must be connected to GND if not used.
VBAT_RF	AIO			Connect to VBAT3V on the PCB
VDCDC_RF	AIO			Connect to VDCDC on the PCB
VPP	AI			INPUT. This pin is used while OTP programming and testing. OTP programming: VPP = 6.7 V ± 0.1 V OTP Normal operation: leave VPP floating
<b>Power Supply</b>				
VBAT3V	AIO			INPUT/OUTPUT. Battery connection. Used for a single coin battery (3 V). If an alkaline or a NiMH battery (1.5 V) is attached to pin VBAT1V, this is the second output of the DC-DC converter.
VBAT1V	AI			INPUT. Battery connection. Used for an alkaline or a NiMH battery (1.5 V). If a single coin battery (3 V) is attached to pin VBAT3V, this pin must be connected to GND.
SWITCH	AIO			INPUT/OUTPUT. Connection for the external DC-DC converter inductor.
VDCDC	AO			Output of the DC-DC converter
GND	AIO	-	-	Ground

### 3 Ordering Information

**Table 2: Ordering Information (Samples)**

Part Number	Package	Size (mm)	Shipment Form	Pack Quantity
DA14581-00UNA	WLCSP34	2.436 x 2.436 x 0.511	Mini-reel	50/100/1000
DA14581-00000VRA	Ultra-Thin WLCSP34	2.436 x 2.436 x 0.334	Mini-reel	50/100/1000
DA14581-00AT1	QFN40	5 x 5	Tray	50

**Table 3: Ordering Information (Production)**

Part Number	Package	Size (mm)	Shipment Form	Pack Quantity
DA14581-00UNA	WLCSP34	2.436 x 2.436 x 0.511	Mini-reel	5000
DA14581-00000VRA	Ultra-Thin WLCSP34	2.436 x 2.436 x 0.334	Mini-reel	5000
DA14581-00AT2	QFN40	5 x 5	Reel	5000

**Part Number Legend:**

DA14581-nnXYZ (WLCSP, QFN)

DA14581-nn000XYZ (Ultra-Thin WLCSP)

nn: chip revision number

XY: package code

Z: packing method



## 4 System Overview

### 4.1 INTERNAL BLOCKS

The DA14581 contains the following blocks:

**ARM Cortex M0 CPU** with Wake-up Interrupt Controller (WIC). This processor provides 0.9 dMIPS/MHz and is used for assisting the Bluetooth low energy protocol implementation, providing processing power for calculations or data fetches required by the application and finally housekeeping, including controlling of the power scheme of the system.

**BLE Core.** This is the baseband hardware accelerator for the Bluetooth low energy protocol.

**ROM.** This is a 84 kB ROM containing the Bluetooth low energy protocol stack as well as the boot code sequence.

**OTP.** This is a 32 kB One-Time Programmable memory array, used to store the application code as well as Bluetooth low energy profiles. It also contains the system configuration and calibration data.

**System SRAM.** This is a 42 kB system SRAM (SysRAM) which is primarily used for mirroring the program code from the OTP when the system wakes/powers up. It also serves as Data RAM for intermediate variables and various data that the protocol requires. Optionally, it can be used as extra memory space for the BLE TX and RX data structures.

**Retention RAMs.** These are 4 special low leakage SRAM cells (2 kB + 2 kB + 3 kB + 1 kB) used to store various data of the Bluetooth low energy protocol as well as the system's global variables and processor stack when the system goes into Deep Sleep mode. Storage of this data ensures secure and quick configuration of the BLE Core after the system wakes up. Every cell can be powered on or off according to the application needs for retention area when in Deep Sleep mode.

**UART and UART2.** These asynchronous serial interfaces implement hardware flow control with FIFO depths of 16 bytes each.

**SPI.** This is the serial peripheral interface with master/slave capability and a FIFO of 2 16-bit words.

**I2C.** This is Master/Slave I2C interface used for sensors and/or host MCUs communication. It comprises a 32 places 9-bits wide FIFO.

**General Purpose (GP) ADC.** This is a 10-bits analog-to-digital converter with 4 external input channels.

**Radio Transceiver.** This block implements the RF part of the Bluetooth low energy protocol.

**Clock Generator.** This block is responsible for the clocking of the system. It contains 2 XTAL oscillators: one running at 16 MHz (XTAL16M) which is used for the active mode of the system and one running at 32.768 kHz (XTAL32K) which is used for the sleep modes of the system. There are also three RC oscillators available: a 16 MHz and a 32 kHz oscillator

(RC16M and RC32K) with low precision (> 500 ppm) and an 10.5 kHz oscillator (RCX) with high precision (< 500 ppm). The RCX oscillator can be used as a sleep clock replacing the XTAL32K oscillator to further improve the power dissipation of the system while reducing the bill of materials of the system. The RC16M oscillator is used to provide a clock used for the mirroring of the OTP code into the SysRAM while the XTAL16M oscillator is settling directly after power/wake up.

**Software Timer.** This block contains a 16-bit general purpose timer (Timer0) with PWM capability as well as a 14-bits timer (Timer2) which controls 3 PWM signals with respect to frequency and duty cycle.

**Wake-Up Timer.** This is a timer for capturing external events and it can be used as a wake-up trigger based on a programmable number of external events on any of the GPIO ports.

**Quadrature Decoder.** This block decodes the pulse trains from a rotary encoder to provide the step and the direction of the movement of an external device. Three axes (X, Y, Z) are supported.

**Keyboard Controller.** This circuit enables the reading and debouncing of a programmable number of GPIOs and generates an interrupt upon a configurable action.

**AHB/APB Bus.** Implements the AMBA Lite version of the AHB and APB specifications.

**Power Management.** A sophisticated power management circuit with a Buck/Boost DC-DC converter and several LDOs that can be turned on/off via software.

A more detailed description of each of the components of the DA14581 is presented in the following sections.

### 4.2 FUNCTIONAL MODES

The DA14581 is optimized for deeply embedded applications such as health monitoring, sports measuring, human interaction devices etc. Customers are able to develop and test their own applications. Upon completion of the development, the application code can be programmed into the OTP. In general, the system has three functional modes of operation:

**A. Development Mode:** During this phase application code is developed using the ARM Cortex-M0 SW environment. The compiled code is then downloaded into the System RAM or any Retention RAMs by means of SWD (JTAG) or any serial interface (e.g. UART). Address 0x00 is remapped to the physical memory that contains the code and the CPU is configured to reset and execute code from the remapped device. This mode is enabling application development, debugging and on-the-fly testing.

**B. Normal Mode:** After the application is ready and verified, the code can be burned into the OTP. When the system boots/wakes up, the DMA of the OTP controller will automatically copy the program code from the OTP into the system RAM. Next, a SW reset or a jump to the System RAM occurs and code execution is started. Hence, in this mode, the system is auto-

mous, contains the required SW in OTP and is ready for integration into the final product.

**C. Calibration Mode:** Between Development and Normal mode, there is an intermediate stage where the chip needs to be calibrated with respect to two important features:

- Programming of the Bluetooth device address
- Programming of the trimming value for the external 16 MHz crystal.

This mode of operation applies to the final product and is performed by the customer. During this phase, certain fields in the OTP should be programmed as described in [section 4.3.1](#).

### 4.3 OTP MEMORY LAYOUT

The One Time Programmable memory has to be programmed according to a specific layout, which structures information to be easily accessible from the BootROM code as well as the actual application. An overview of the layout scheme is presented in the following figure:

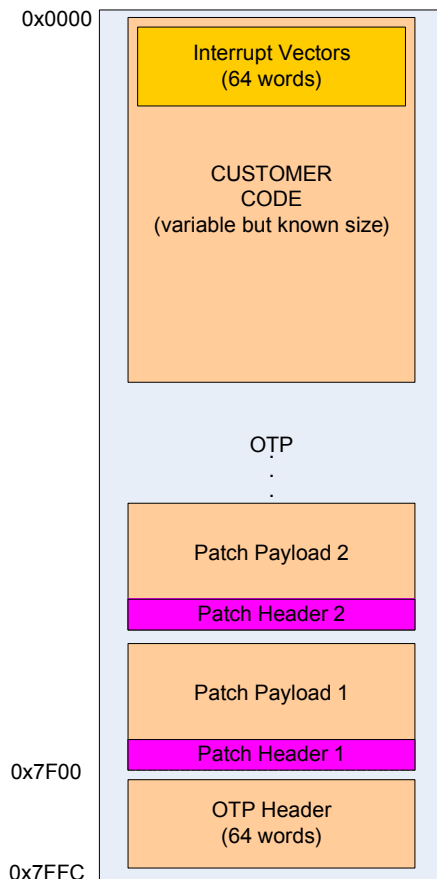


Figure 4: OTP Layout Scheme

The OTP memory comprises 8K of 32-bit words. The contents are described below:

- **Interrupt Vectors:** These are the vectors of the interrupt service routines **always** residing at address 0x0. This is part of the application (customer) code. The size of this vector list is 64 words.
- **Customer cCde:** contains the application and the profiles that a customer has developed. The size is known and fixed before mass production and programming of the OTP.
- **Patch Area:** contains changes that have to be applied on the Customer Code. Each patch area comprises a Header and a Payload. Multiple patch areas are possible, however a single word must be left unprogrammed between the Customer Code area and the Patch Area. The patching mechanism is described in detail in Application Note AN-B-002.
- **OTP Header:** contains various information about the configuration of the system as well as Bluetooth low energy specific data.

#### 4.3.1 OTP Header

The OTP header breakdown is presented in the following table:

Table 4: OTP Header

Address	Description (single byte values apply to all 4 bytes)
0x7FFC	SWD enable flag: 0x00 = JTAG is enabled 0xAA = JTAG is disabled
0x7FF8	OTP DMA length (number of 32-bit words)
0x7FF4	<b>Reserved.</b> Keep to 0x0
0x7FDC to 0x7FF0	Customer Specific Field (6 32-bit words)
0x7FD4 to 0x7FDB	Bluetooth Device Address (2 32-bit words). It is handled as a string of bytes. Leftmost number will be programmed at 0x7FD4 etc.
0x7FD0	Signature Algorithm Selector: 0x00 = None 0xAA = MD5 0x55 = SHA-1 0xFF = CRC32
0x7F94 to 0x7FCC	Signature of Customer Code (15 32-bit words)
0x7F90	Trim value for the VCO
0x7F8C	Trim value for the XTAL16M oscillator
0x7F88	Trim value for the RC16M oscillator
0x7F84	Trim value for the BandGap
0x7F80	Trim value for the RFIO capacitance
0x7F7C	Trim value for the LNA

**Table 4: OTP Header**

Address	Description (single byte values apply to all 4 bytes)
0x7F78	Calibration Flags: Bit[31:16] - 0xA5A5 = at least 1 calibration was done 0x0000 = no calibration was done Bit[15:6] - Reserved Bit[5] - 1 = VCO trim value is valid Bit[4] - 1 = XTAL16M trim value is valid Bit[3] - 1 = RC16M trim value is valid Bit[2] - 1 = BandGap trim value is valid Bit[1] - 1 = RFIO trim value is valid Bit[0] - 1 = LNA trim value is valid
0x7F74	Sleep Clock Source Flag: 0x00 = External crystal (XTAL32K) 0xAA = Internal RCX oscillator (RCX)
0x7F70	Package Flag: 0x00 = WLCSP34 0xAA = QFN40 0x55 = QFN48 0x99 = KGD
0x7F64 to 0x7F6C	Reserved
0x7F10 to 0x7F60	Customer Specific Field (21 32-bit words)
0x7F0C	CRC for Trim and Calibration values
0x7F08	IQ Trim value
0x7F04	Application Programmed Flag #2 0xA5A51234 = Application is in OTP
0x7F00	Application Programmed Flag #1 0x1234A5A5 = Application is in OTP

The first word (at address 0x7FFC) is a flag which defines whether SWD (JTAG) is mapped on pins or not. Default value is activating the SDW on the respective pins. The Length field (0x7FF8) specifies the number of 32-bit words to be copied to the SRAM.

The Bluetooth device address is stored at 0x7FD4 (2 32-bit words).

The next field (0x7FD0) identifies the algorithm to be used for creating a signature on the OTP payload. The actual signature value is stored in the next fields (if a signature algorithm is selected). This is an optional feature to guarantee trusted OTP images.

The next memory locations contain the trim values for the XTAL16M and the RC16M oscillators. Since every crystal is different, an extra calibration step is required in the production line process, to identify the correct trimming value for the XTALs so that they provide the precision required by the Bluetooth low energy protocol. Since the crystal is an external component, this step has to be performed during the calibration phase.

A similar procedure is required for the trimming of the RC capacitance to keep the RC clock within a certain

range of frequencies. However, this trimming is done during production tests by Dialog Semiconductor.

Trimming values for the VCO, Bandgap reference, the RFIO capacitance and the LNA of the Radio are also stored in the OTP header. These values are generated and programmed during production testing by Dialog Semiconductor.

The Calibration Flags defines whether the chip has been already calibrated and if so, which trim values are valid. The 32 kHz Source Flag indicates to the application software whether an external 32 kHz crystal is used or not.

The Package Flag defines which package is used: the 34 balls WLCSP, the 40 pins QFN or the 48 pins QFN.

The IQ Trim value contains the value of respective radio configuration fields and is delivered at production testing.

Two more flags are indicating if the application code has indeed been programmed (burned) into the OTP. Both flags are read by the BootROM software designating that the system is now in Normal mode and not in Development mode, as explained in the next section.

#### 4.4 SYSTEM START PROCEDURE

The actual start procedure consists of the following distinct stages that are sequentially combined to form the preferred system start sequence:

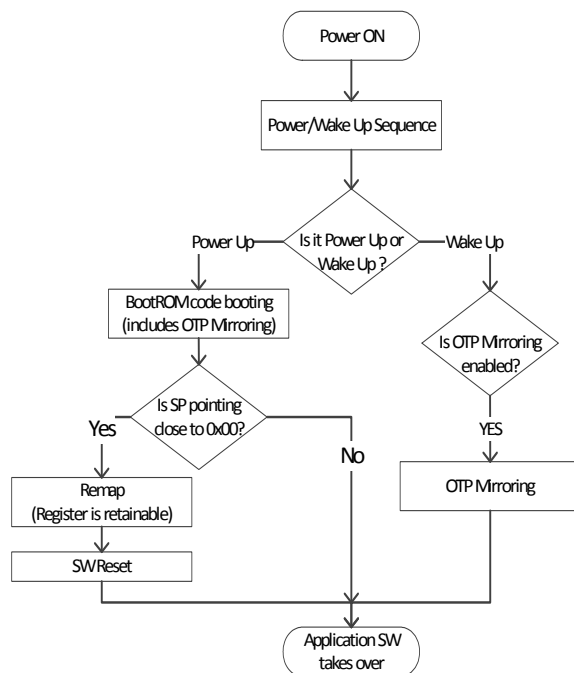
1. The Power/Wake-up sequence
2. The OTP mirroring sequence
3. The BootROM booting sequence

The Power/Wake-up sequence is a hardwired state machine that enables the LDOs and prepares the system's internal voltages.

The OTP mirroring is a hardwired state machine which instructs the copying of the OTP contents into the SysRAM even before the ARM CPU starts.

The BootROM code will only be executed when the system is powered up or a hardware reset occurs.

The relation between the aforementioned sequences is presented in the following figure:



**Figure 5: General Startup Flow**

The system will enter the Power/Wake-Up sequence after cold power up or after waking up from one of the Sleep modes, which are described in section 4.5.2. The distinction is done by means of a Flip-Flop which is set to '1' to indicate that the system has been just powered up (cold start). The whole process from power on up to the point that the system starts advertising (considering a typical application) takes around 145 ms.

#### 4.4.1 Power/Wake-Up Sequence

The Power/Wake-up sequence is a hardwired state machine that is activated every time the system is powered up (cold start) or woken up from one of the Sleep modes. This state machine uses information from internal analog comparators to reliably identify whether the system is set up in BUCK ( $V_{BAT3V} > 2\text{ V}$ ) or BOOST ( $V_{BAT1B} > 0.5\text{ V}$ ) mode automatically.

Initially, it checks whether the voltage at the VBAT1V pin is above the threshold indicating that the system is in BOOST mode and if so, it activates the DC-DC converter accordingly. If not, it continues enabling the Bandgap, the digital LDO and the OTP LDO to provide a stable 1.2 V for the core and 2.4 V for the OTP cell. Next, the XTAL16M oscillator is started while a second check overwrites the programming of the DC-DC converter in the correct mode.

Since LDOs as well as the XTAL16M oscillator take sometime to settle, the state machine is polling on signals indicating that the startup of these blocks has occurred successfully. However, if these signals are not set in a timely manner, the state machine ignores

the status of these blocks and continues with the power-up sequence. The timeout can be disabled by software via `SYS_CTRL_REG[TIMEOUT_DISABLE]`.

When no timeout occurs, the time required from the Power/Wake-up until the state that the chip is powered correctly and either the BootROM (in the case of a cold start) or the OTP mirroring (in the case of a programmed wake up) takes over, is ranging from 1.2 ms up to 1.5 ms depending on the supply voltage.

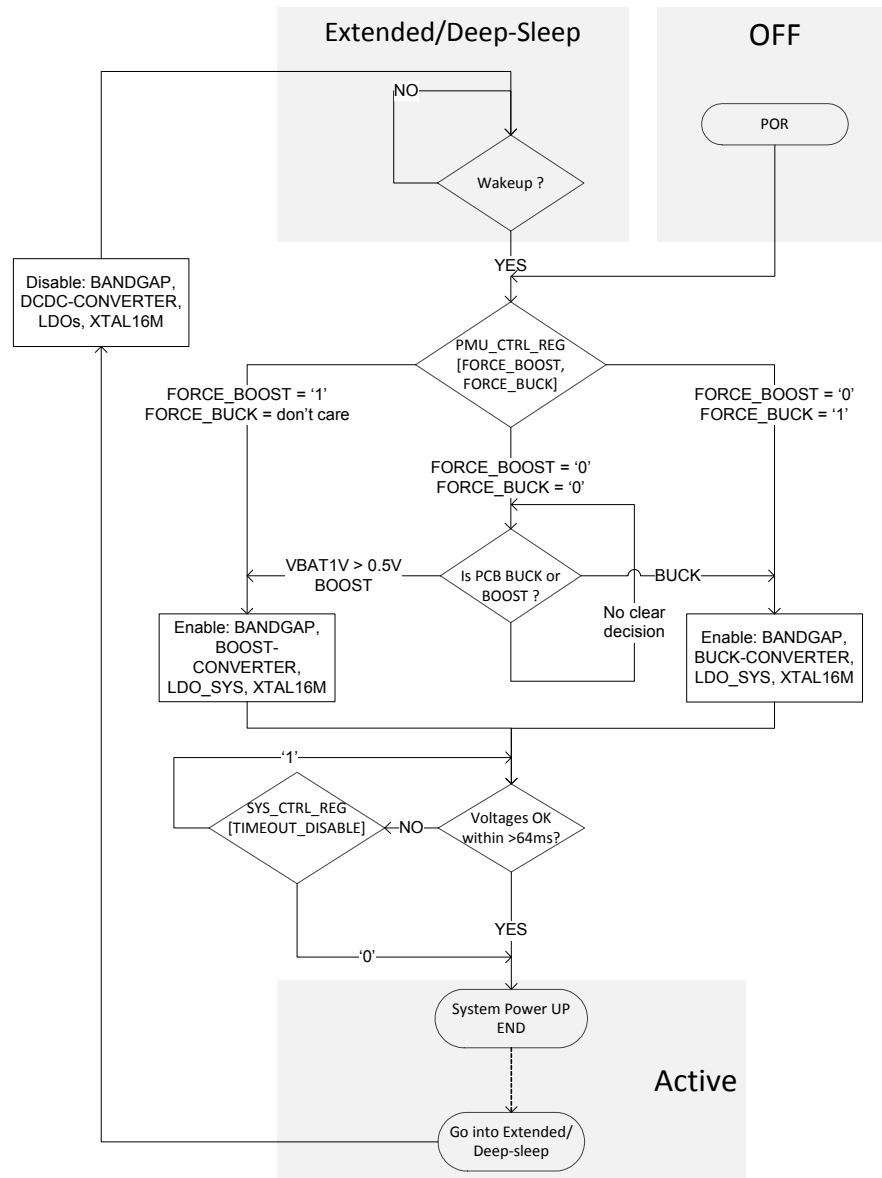
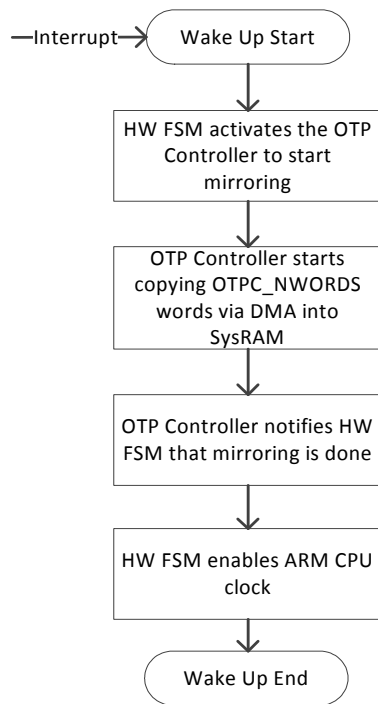


Figure 6: Power/Wake-Up Sequence

#### 4.4.2 OTP Mirroring

This is one of the two branches of the decision regarding Power-up or Wake-up as illustrated in Figure 5. During the OTP mirroring process, the contents of the OTP memory are copied into the SysRAM, so that the ARM CPU can start executing code from there instead of the power hungry OTP memory. This task is programmable (via `SYS_CTRL_REG[OTP_COPY]`). In case of a Power Up, this task is performed by SW in the BootROM, i.e. the ARM CPU takes care of the mirroring of the application code into the SysRAM. However, in case of a Wake-up, the BootROM code is not executed and a small hardware state machine performs the mirroring as shown in the following figure.



**Figure 7: Wake-Up OTP Mirroring**

The flow chart of [Figure 7](#) assumes that the OTP controller is aware of the number of words that need to be copied from the OTP memory. This value resides in the OTP Header (see [Table 4](#)) and at power up will be copied by the BootROM code (i.e. the ARM CPU) into the OTPC\_NWORDS register. This is done only once, since the OTPC\_NWORDS register retains its value even when the system goes into any of the Sleep modes. In this way, the number of words to be transferred from the OTP memory into the SysRAM by the OTP controller DMA engine is always available.

The typical time required for a full OTP mirroring (all 32 kB) using a trimmed RC16M clock is close to 1.2 ms.

#### 4.4.3 BootROM Sequence

The BootROM code identifies whether the chip is in Development mode or Normal mode by reading the “Application Programmed” flags from the OTP header (see [Table 4](#)). The OTP contains all zeros when it is not programmed.

If the predefined value is identified this ensures that the OTP is functional and that the application code has been programmed. However, if the predefined value is not identified, either the OTP is not programmed (all zeros) or the OTP memory is not operational (random data).

In the first case, the system enters Development mode where the application can be developed and values

can be calibrated. In the second case, the BootROM code recognizes the OTP to be malfunctioning due to power issues (e.g. battery life is ending and thus the OTP LDO cannot generate the required voltages) and continues to activate the peripherals so that the system is still usable and can be debugged.

The booting process of the DA14581 is presented in the following figure:



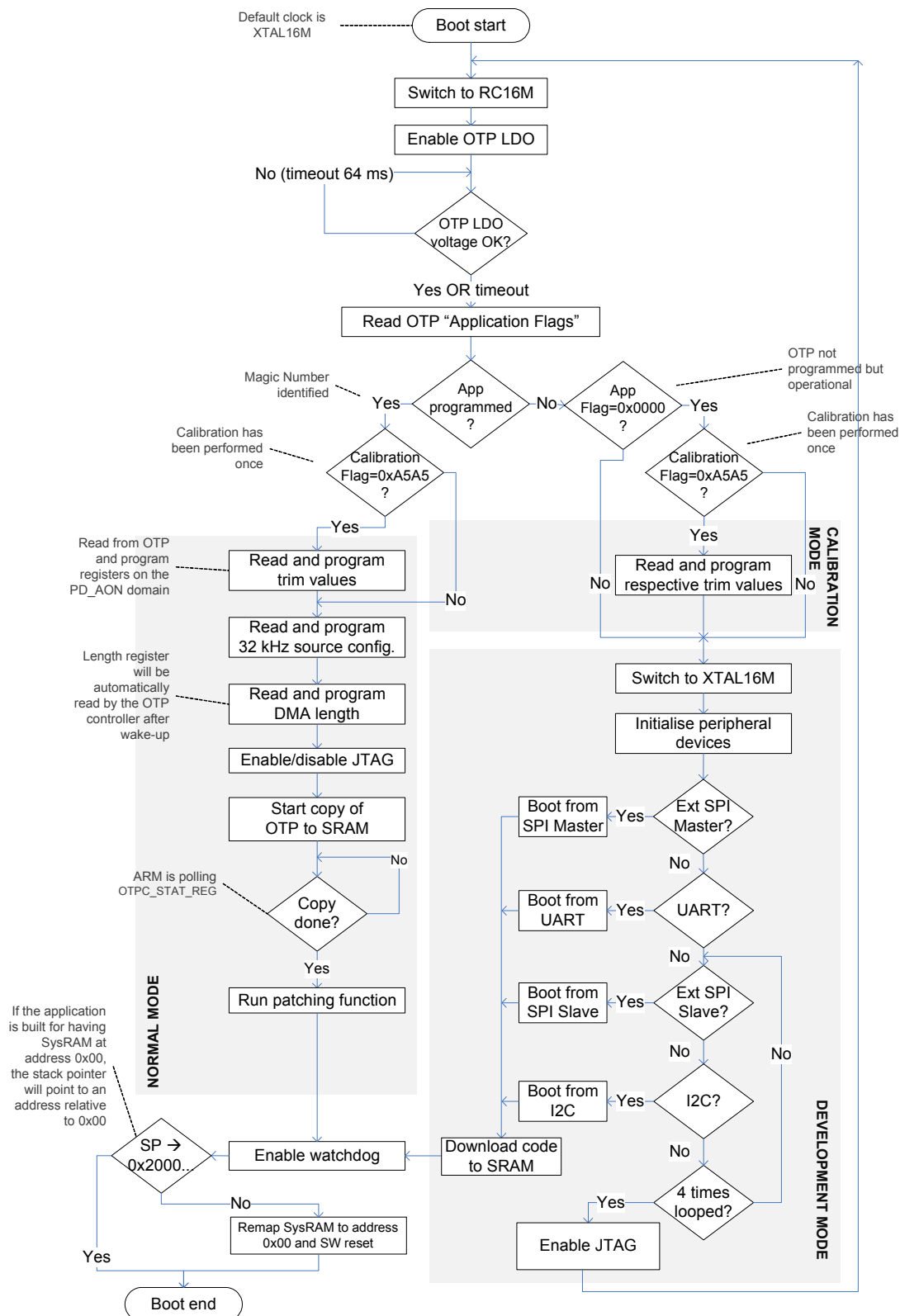


Figure 8: BootROM Sequence

When in **Development Mode**, the BootROM code initializes all peripheral devices from which the DA14581 might download code: UART, SPI (both Master and Slave) and I2C. The code searches for a valid response on various combinations of I/Os one after the other. The step sequence and GPIO mapping is presented in the following tables:

**Table 5: Development Mode Peripheral Pin Mapping**

	Signal	Step A	Step B	Step C	Step D
SPI Master	SCK	P0_0	P0_0		
	CS	P0_3	P0_1		
	MISO	P0_6	P0_2		
	MOSI	P0_5	P0_3		
UART	TX	P0_0	P0_2	P0_4	P0_6
	RX	P0_1	P0_3	P0_5	P0_7
SPI Slave	SCK	P0_0			
	CS	P0_3			
	MOSI	P0_6			
	MISO	P0_5			
I2C	SCL	P0_0	P0_2	P0_4	P0_6
	SDA	P0_1	P0_3	P0_5	P0_7

**Table 6: Development Mode Peripheral Search Sequence**

Sequence	Action
0	SPI Master Step A
1	SPI Master Step B
2	UART Step A
3	UART Step B
4	UART Step C
5	UART Step D
6	SPI Slave Step A
7	I2C Step A
8	I2C Step B
9	I2C Step C
10	I2C Step D

At each step, the BootROM code sends a certain character to the peripheral controller waiting for an answer. If no answer is received within a certain amount of time, a timeout instructs the code to continue to the next step. If a response is detected, a specific protocol is executed and communication between the DA14581 and the external device is established. The protocol and the timeout values are described in detail in *Application Note AN-B-001*.

When in **Normal mode**, the ARM CPU programs OTP header configuration information into actual registers, some of them retaining this value even if the system enters one of the Sleep modes. Next, the actual Application Code is mirrored into the System RAM and the patching function is executed to ensure that SW updates are applied. The patching mechanism is described in detail in Application Note AN-B-002. Finally, the Remap register (SYS\_CTRL\_REG[REMAP\_ADR0]) is programmed to ensure that address zero is now pointing to the System RAM.

A SW reset as a last step, instructs the ARM CPU to reboot running code from the SRAM.

## 4.5 POWER SUPPLY CONFIGURATION

### 4.5.1 Power Domains

The DA14581 comprises several different power domains, that are controlled by power switching elements, thus eliminating leakage currents by totally powering them down. The partitioning of the DA14581's resources with respect to the various power domains is presented in the following table:

**Table 7: Power Domains**

Power Domain	Description
PD_AON	<b>Always ON:</b> This power line connects to all the resources that must be powered constantly: the ARM/WIC, the LLP/Timer, the Retention SRAM, the PMU/CRG, the Capture Timer, the Quadrature Decoder, the padding and various registers required for the Wake Up sequence.
PD_SYS	<b>System:</b> This power line connects to all the resources that should be powered only when the ARM M0 is running: the AHB bus, the OTP cell and controllers, the ROM, the System RAM the Watchdog, the SW Timer and the GPIO port multiplexing.
PD_PER	<b>Peripherals:</b> This power line connects to the peripherals that can be switched off after completing their operation: the UARTs, the SPI, the I2C the Keyboard controller and the ADC.
PD_DBG	<b>Debug:</b> Powers the debug part of the ARM Cortex-M0 processor.
PD_RAD	<b>Radio:</b> This is the power domain that includes the digital part of the Radio (DPHY) and the BLE Core. The power management of the Radio (RF) subsystem is controlled via several dedicated LDOs.



Table 7: Power Domains

Power Domain	Description
PD_RR	<b>Retention_RAM:</b> This is a separate power line that only controls the 2 kB Retention SRAM. If this memory cell is not needed, it should always be OFF.
PD_RR2	<b>Retention_RAM2:</b> This is a separate power line that only controls the 3 kB Retention SRAM. If this memory cell is not needed, it should always be OFF
PD_RR3	<b>Retention_RAM3:</b> This is a separate power line that only controls the second 2 kB Retention SRAM. If this memory cell is not needed, it should always be OFF
PD_RR4	<b>Retention_RAM4:</b> This is a separate power line that only controls the 1 kB Retention SRAM. If this memory cell is not needed, it should always be OFF
PD_SR	<b>System_RAM:</b> This is a separate power line that only powers the 42 kB SysRAM. This power line keeps the SysRAM's contents retained but not accessible.

#### 4.5.2 Power Modes

There are four different power modes in the DA14581:

1. **Active Mode:** System is active and operates at full speed.
2. **Sleep Mode:** No power gating has been programmed, the ARM CPU is idle, waiting for an interrupt. PD\_SYS is on. PD\_PER and PED\_RAD depending on the programmed enabled value.

3. **Extended Sleep Mode:** All power domains are off except for the PD\_AON, the programmed PD\_RRx and the PD\_SR. Since the SysRAM retains its data, not OTP mirroring is required upon waking up the system.
4. **Deep Sleep Mode:** All power domains are off except for the PD\_AON and the programmed PD\_RRx. This mode dissipates the minimum leakage power. However, since the SysRAM has not retained its data, an OTP mirror action is required upon waking up the system.

The first two power modes do not include any special power gating or manipulation of power domains. The Extended Sleep and Deep Sleep modes are activated in almost the same way with a small difference. The entering into the Extended Sleep and Deep Sleep modes is summarized in the following table:

Table 8: Activating Power Modes

Power Mode	Activation Steps
Extended Sleep	SYS_CTRL_REG[RET_SYSRAM] = 1; SCB->SCR  = 1<<2; enables the SLEEPDEEP bit on the System Control Register of the ARM CPU
Deep Sleep	SCB->SCR  = 1<<2; enables the SLEEPDEEP bit on the System Control Register of the ARM CPU

However, the above Power modes which involve power gating do not turn off all power domains automatically. Certain power domains need to be powered off prior to activating the Extended Sleep or Deep Sleep modes. The following table summarizes the effect of the Extended/Deep Sleep mode activation with regards to specific power domains.

Table 9: Power Domain Manipulation when Activating Extended Sleep or Deep Sleep Mode

Power Mode	PD_SYS	PD_PER	PD_DBG	PD_RAD	PD_RRx	PD_SR	Analog
Extended Sleep	Automatically OFF	Must be programmed	Automatically OFF	Must be programmed	Must be programmed	Automatically ON	Automatically OFF
Deep Sleep	Automatically OFF	Must be programmed	Automatically OFF	Must be programmed	Must be programmed	Automatically OFF	Automatically OFF

The "Analog" column in Table 9 refers to the Bandgap, the DC-DC converter, the XTAL16M oscillator, the RC oscillators, the ADC and the respective LDOs. These blocks are not part of a single power domain but the HW will turn them off upon activation of either the Extended Sleep or the Deep Sleep mode.

The use of the Extended Sleep vs. the Deep Sleep mode depends heavily on the Bluetooth low energy application and its specific parameters such as the required connection interval, the duty cycle and the

amount of data transmitted or received per connection. Based on these parameters a time threshold for the connection interval can be calculated, above which Deep Sleep mode performs better than Extended Sleep mode. This is elaborated upon in Application Note AN-B-008.

#### 4.5.3 Retention Registers

A number of the registers in the DA14581 needs to retain their values when the system enters one of the

Sleep modes described in the previous section. These registers and their power domains are described in the following table.

**Table 10: Retention Registers and Power Domains**

Power Domain	Address Range		Retention Register	Notes
	Start	End		
PD_RAD	0x4000.0000	0x4000.7FFF	BLE_CNTL2_REG	Retained bit fields are: BLE_RSSI_SEL SW_RPL_SPI BB_ONLY RADIO_ONLY BLE_CLK_SEL RADIO_PWRDN_ALLOW MON_LP_CLK DIAGPORT_REVERSE DIAGPORT_SEL EMACCERRMSK EMACCERRSTAT
			DEBUG_REG	Retained bit fields are: DEBUGS_FREEZE_EN
PD_SYS	0x4000.8000	0x4000.83FF	OTPC_NWORDS_REG	Contains the number of words to be copied from the OTP memory into the SysRAM.
	0x5000.3000	0x5000.3FFF	GP_CONTROL_REG	Retained bit fields are: EM_MAP
PD_AON	0x5000.0000	0x5000.0FFF	All registers are retainable	
PD_PER	0x5000.1000	0x5000.1FFF	No registers are retainable	

## 5 Reset

The DA14581 comprises an RST pad which is active high. It contains an RC filter for spikes suppression with 400 k $\Omega$  and 2.8 pF for the resistor and the capacitor respectively. It also contains a 25 k $\Omega$  pull-down resistor. This pad should be connected to ground if not needed by the application. The response is illustrated in the following figure which displays the voltage (V) on the vertical axis and the time ( $\mu$ s) on the horizontal axis:

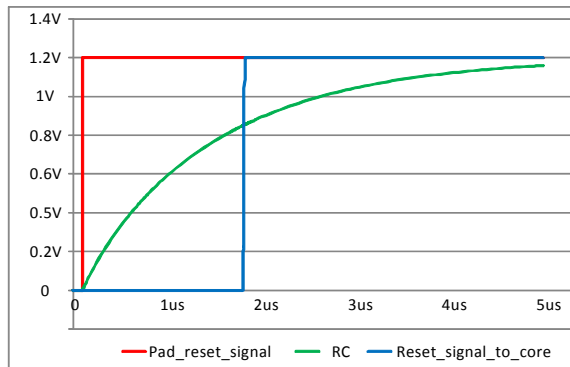


Figure 9: RST Pad Latency

The typical latency of the RST pad is in the range of 2  $\mu$ s.

### 5.1 POR, HW AND SW RESET

The Power On Reset (POR) signal is generated internally and will release the system's flip flops as soon as the VDD voltage crosses the minimum threshold value. There are two main reset signals in the DA14581, both active high. The HW reset which is basically triggered by the RST pad and the SW reset which is triggered by writing the SYS\_CTRL\_REG[SW\_RESET] bit.

The HW reset can also be automatically activated upon waking up of the system from an Extended Sleep or Deep Sleep mode by programming bit PMU\_CTRL\_REG[RESET\_ON\_WAKEUP]. The HW reset will basically run the cold start-up sequence and the BootROM code will be executed.

The SW reset is the logical OR of a signal from the ARM CPU (triggered by writing SCB->AIRCR = 0x05FA0004) and the SYS\_CTRL\_REG[SW\_RESET] bit. This is mainly used to reboot the system after the base address has been remapped.

Certain registers are reset by POR only or by POR and the HW reset signal, but not by the SW reset. These registers are listed in the following table:

Table 11: Reset Signals And Registers

Reset by POR Only	Reset by POR or HW Reset	Reset by POR, HW or SW Reset
OTPC_NWORDS_REG	CLK_FREQ_TRIM_REG	The rest of the Register File
BANDGAP_REG	CLK_RADIO_REG	
RF registers containing the trimming values for the VCO, the LNA and the I/O capacitance	All RF calibration registers	
	BLE_CNTL2_REG	
	CLK_CTRL_REG	
	PMU_CTRL_REG	
	SYS_CTRL_REG	
	CLK_32K_REG_I	
	CLK_16M_REG_I	
	CLK_RCX32K_REG	
	TRIM_CTRL_REG	
DEBUG_REG[DEBUGS_FREEZE_EN]		
GP_CONTROL_REG[EM_MAP]		

## 6 ARM Cortex-M0

The Cortex-M0 processor is a 32-bit Reduced Instruction Set Computing (RISC) processor with a von Neumann architecture (single bus interface). It uses an instruction set called Thumb, which was first supported in the ARM7TDMI processor; however, several newer instructions from the ARMv6 architecture and a few instructions from the Thumb-2 technology are also included. Thumb-2 technology extended the previous Thumb instruction set to allow all operations to be carried out in one CPU state. The instruction set in Thumb-2 includes both 16-bit and 32-bit instructions; most instructions generated by the C compiler use the 16-bit instructions, and the 32-bit instructions are used when the 16-bit version cannot carry out the required operations. This results in high code density and

avoids the overhead of switching between two instruction sets.

In total, the Cortex-M0 processor supports only 56 base instructions, although some instructions can have more than one form. Although the instruction set is small, the Cortex-M0 processor is highly capable because the Thumb instruction set is highly optimized.

Academically, the Cortex-M0 processor is classified as load-store architecture, as it has separate instructions for reading and writing to memory, and instructions for arithmetic or logical operations that use registers.

A simplified block diagram of the Cortex-M0 is shown in Figure 10.

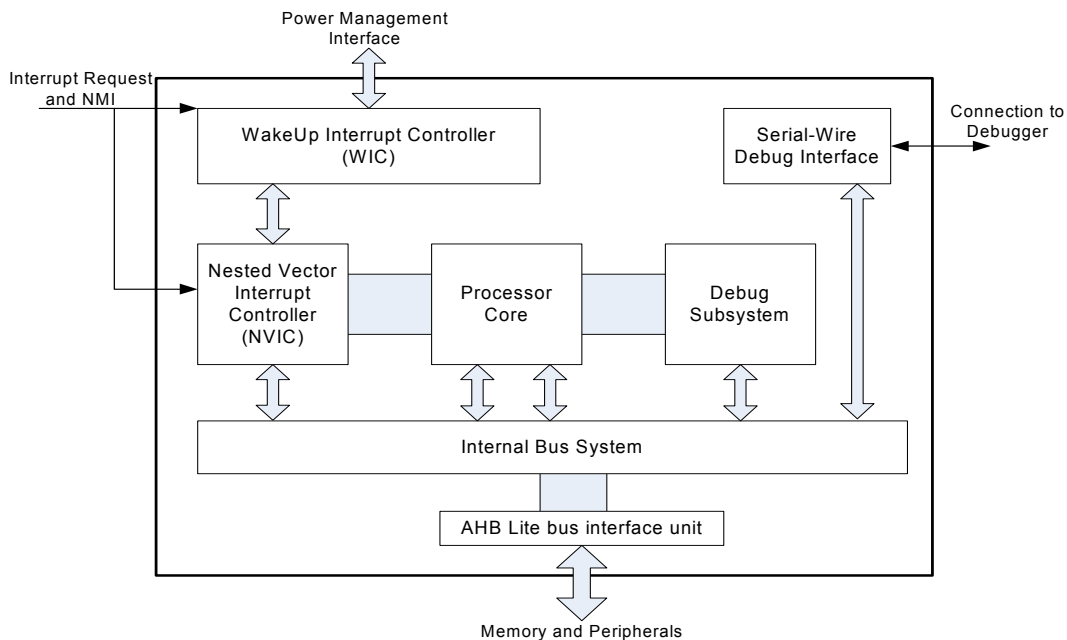


Figure 10: ARM Cortex-M0 Block Diagram

### Features

- Thumb instruction set. Highly efficient, high code density and able to execute all Thumb instructions from the ARM7TDMI processor.
- High performance. Up to 0.9 DMIPS/MHz (Dhrystone 2.1) with fast multiplier.
- Built-in Nested Vectored Interrupt Controller (NVIC). This makes interrupt configuration and coding of exception handlers easy. When an interrupt request is taken, the corresponding interrupt handler is executed automatically without the need to determine the exception vector in software.
- Interrupts can have four different programmable priority levels. The NVIC automatically handles nested interrupts.
- The design is configured to respond to exceptions (e.g. interrupts) as soon as possible (minimum 16 clock cycles).
- Non maskable interrupt (NMI) input for safety critical systems.
- Easy to use and C friendly. There are only two modes (Thread mode and Handler mode). The whole application, including exception handlers, can be written in C without any assembler.
- Built-in System Tick timer for OS support. A 24-bit timer with a dedicated exception type is included in the architecture, which the OS can use as a tick timer or as a general timer in other applications without an OS.
- SuperVisor Call (SVC) instruction with a dedicated SVC exception and PendSV (Pendable SuperVisor

service) to support various operations in an embedded OS.

- Architecturally defined sleep modes and instructions to enter sleep. The sleep features allow power consumption to be reduced dramatically. Defining sleep modes as an architectural feature makes porting of software easier because sleep is entered by a specific instruction rather than implementation defined control registers.
- Fault handling exception to catch various sources of errors in the system.
- Support for 24 interrupts.
- Little endian memory support.
- Wake up Interrupt Controller (WIC) to allow the processor to be powered down during sleep, while still allowing interrupt sources to wake up the system.
- Halt mode debug. Allows the processor activity to stop completely so that register values can be accessed and modified. No overhead in code size and stack memory size.
- CoreSight technology. Allows memories and peripherals to be accessed from the debugger without halt-

ing the processor.

- Supports Serial Wire Debug (SWD) connections. The serial wire debug protocol can handle the same debug features as the JTAG, but it only requires two wires and is already supported by a number of debug solutions from various tools vendors.
- Four (4) hardware breakpoints and two (2) watch points.
- Breakpoint instruction support for an unlimited number of software breakpoints.
- Programmer's model similar to the ARM7TDMI processor. Most existing Thumb code for the ARM7TDMI processor can be reused. This also makes it easy for ARM7TDMI users, as there is no need to learn a new instruction set.

### 6.1 INTERRUPTS

This section lists all 24 interrupt lines, except the NMI interrupt, and describes their source and functionality. The overview of the interrupts is illustrated in the following table:

**Table 12: Interrupt List**

IRQ Number (Inherent Priority)	IRQ Name	Description
0	BLE_WAKEUP_LP_IRQn	Wake-up from Low Power (Deep Sleep) interrupt from BLE.
1	BLE_FINETGTIM_IRQn	Fine Target Timer interrupt generated when Fine Target timer expired. Timer resolution is 625 $\mu$ s base time reference.
2	BLE_GROSSTGTIM_IRQn	Gross Target Timer interrupt generated when Gross Target timer expired. Timer resolution is 16 times 625 $\mu$ s base time reference.
3	BLE_CSCNT_IRQn	625 $\mu$ s base time reference interrupt, available in active modes.
4	BLE_SLP_IRQn	End of Sleep mode interrupt.
5	BLE_ERROR_IRQn	Error interrupt, generated when undesired behavior or bad programming occurs in the BLE Core.
6	BLE_RX_IRQn	Receipt interrupt at the end of each received packets.
7	BLE_EVENT_IRQn	End of Advertising / Scanning / Connection events interrupt.
8	SWTIM_IRQn	Software Timer interrupt.
9	WKUP_QUADEC_IRQn	Combines the Wake up Capture Timer interrupt, the GPIO interrupt and the QuadDecoder interrupt
10	BLE_RF_DIAG_IRQn	Baseband or Radio Diagnostics Interrupt. Triggered by internal events of the Radio or Baseband selected by the BLE_RF_DIAGIRQ_REG. For Debug purposes only.
11	BLE_CRYPT_IRQn	Encryption / Decryption interrupt, generated either when AES and/or CCM processing is finished.
12	UART_IRQn	UART interrupt.
13	UART2_IRQn	UART2 interrupt.
14	I2C_IRQn	I2C interrupt.
15	SPI_IRQn	SPI interrupt.
16	ADC_IRQn	Analog-Digital Converter interrupt.

Table 12: Interrupt List

IRQ Number (Inherent Priority)	IRQ Name	Description
17	KEYBRD_IRQn	Keyboard interrupt.
18	RFCAL_IRQn	RF Calibration Interrupt.
19	GPIO0_IRQn	GPIO interrupt through debounce.
20	GPIO1_IRQn	GPIO interrupt through debounce.
21	GPIO2_IRQn	GPIO interrupt through debounce.
22	GPIO3_IRQn	GPIO interrupt through debounce.
23	GPIO4_IRQn	GPIO interrupt through debounce.

Interrupt priorities are programmable by the ARM Cortex-M0. The lower the priority number, the higher the priority level. The priority level is stored in a byte-wide register, which is set to 0x0 at reset. Interrupts with the same priority level follow a fixed priority order using the interrupt number listed in Table 12 (lower interrupt number has higher priority level).

To access the Cortex-M0 NVIC registers, CMSIS functions can be used. The input parameter IRQn of the CMSIS NVIC access functions is the IRQ number. This can be the IRQ number or (more convenient) the corresponding IRQ name listed in Table 12. The corresponding interrupt handler name in the vector table for IRQ#15 is e.g. SPI\_Handler. For more information on the ARM Cortex-M0 interrupts and the corresponding CMSIS functions, see a.o. section 4.2 Nested Vectored Interrupt Controller on pag. 4-3 in the Cortex™-M0 User Guide Reference Material.

The Watchdog interrupt is connected to the NMI input of the processor.

## 6.2 SYSTEM TIMER (SYSTICK)

The Cortex-M0 System Timer (SysTick) can be configured for using 2 different clocks. The SysTick Control & Status (STCSR) register specifies which clock should be used by the counter.

STCSR[CLKSOURCE]=0; use the (fixed) external reference clock STCLKEN of 1 MHz.

STCSR[CLKSOURCE]=1; use the (HCLK\_DIV dependent) processor clock SCLK (e.g. 2, 4, 8 or 16 MHz).

Table 13: ARM Documents List

	Document Title	Arm Document Number
1	Cortex™-M0 User Guide Reference Material	ARM DUI 0467B (available on the ARM website)
2	Cortex™-M0 r0p0 Technical Reference Manual	ARM DDI 0432C (available on the ARM website)
3	ARMv6-M Architecture Reference Manual	ARM DDI 0419C (can be downloaded by registered ARM customers)

The default SysTick Timer configuration will be using the (fixed) external reference clock STCLKEN (STCSR[CLKSOURCE]=0). When necessary, higher clock frequencies can be used with STCSR[CLKSOURCE]=1 but the software should take the HCLK\_DIV dependent core clock SCLK into account w.r.t. the timing.

## 6.3 WAKE-UP INTERRUPT CONTROLLER

The Wake-up Interrupt Controller (WIC) is a peripheral that can detect an interrupt and wake the processor from deep sleep mode. The WIC is enabled only when the DEEPSLEEP bit in the SCR is set to 1 (see System Control Register on page 4-16 of the Cortex-M0 User Guide Reference Material).

The WIC is not programmable, and does not have any registers or user interface. It operates entirely from hardware signals. When the WIC is enabled and the processor enters deep sleep mode, the power management unit in the system can power down most of the Cortex-M0 processor. This has the side effect of stopping the SysTick timer. When the WIC receives an interrupt, it takes a number of clock cycles to wake-up the processor and restore its state, before it can process the interrupt. This means interrupt latency is increased in Deep Sleep mode.

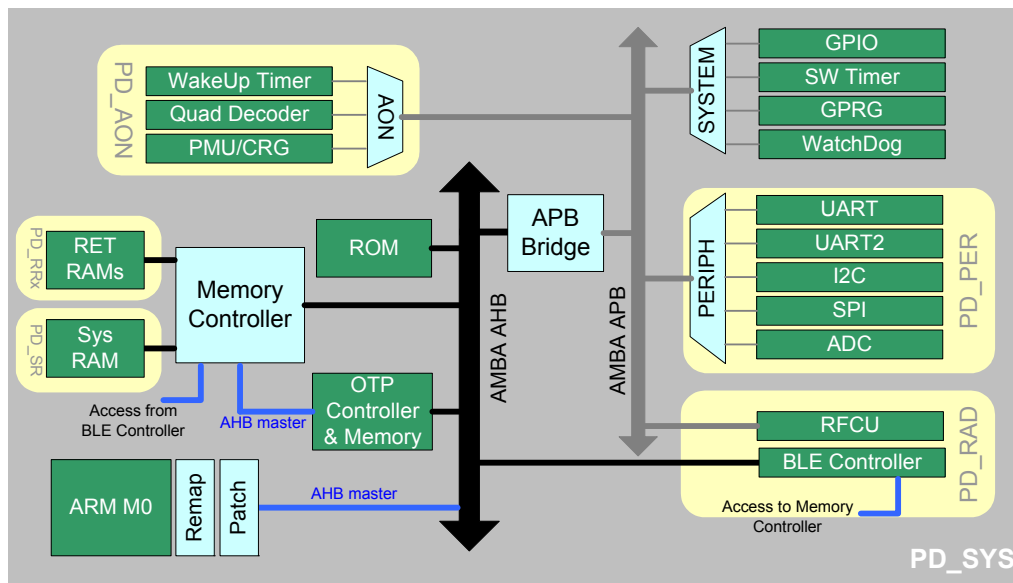
## 6.4 REFERENCE

For more information on the ARM Cortex-M0, see a.o. the ARM documents listed in Table 13.

## 7 AMBA Bus Overview

The DA14581 is based on an AMBA 2.0 AHB and APB components. The AHB is an AMBA Lite version which requires a single master on the system, i.e. in the DA14581 the ARM CPU. The APB interface implements 3 different decoding slaves which are grouped according to the power domain structure of the chip.

The AMBA bus organization is presented in the following figure:



**Figure 11: AMBA Bus Architecture and Power Domains**

Since the DA14581 consists of several different power domains that are digitally controlled and can be shut down completely, various slave resources especially on the APB bus are grouped together to reduce signal isolation requirements.

On the AHB Lite bus, the CPU is the master while OTP, BLE Core, Memory and ROM controllers are the slaves. Furthermore, on the APB subsystem, the Always On power domain consists of the following blocks:

- Wake-up Timer
- Quadrature Decoder
- Power Management Unit / Clock Reset Generator
- Retention RAMs (not mapped on APB but accessible through the Memory Controller)

The APB peripherals power domain comprises:

- UART and UART2
- SPI
- I2C
- GP ADC

The radio power domain contains both AHB and APB peripherals i.e. the Radio Frequency Control Unit (RFCU) and the Bluetooth Low Energy controller.

The rest of the system is mapped on the system power domain and contains APB blocks (the GPIO multiplexing, the Software Timer, the General Purpose Registers and the WatchDog timer) as well as AHB blocks (OTP, Memory and ROM controller).



## 8 Patch Block

The patch block provides a multiplexer on the databus of the ROM Controller able to modify (patch) the contents of the data read from ROM. This feature provides a repair mechanism of a ROM image.

### Features

- Direct patching on ROM databus
- Up to 8x 32 bit patch entries
- Enable/disable patch entries
- Priority scheme allows off-loads software
- Patch data can be stored internally in OTP or externally in EEPROM or QSPI

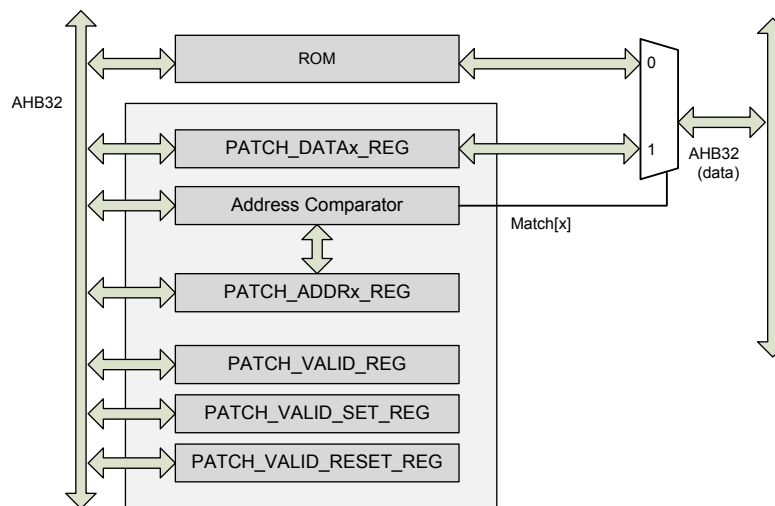


Figure 12: Patch Block

The patch block's registers are accessible via the AHB bus. The patch unit resides in the System Power domain. It is clocked by the system bus clock (HCLK) and must be initialized after each power-up.

There are 8 patching entries of two 32-bit words each. A patch entry consists of a 32-bit address register PATCH\_ADDRx\_REG and one 32-bit data register PATCH\_DATAx\_REG, implemented as sequential register pairs. The programmer must program the address register first followed by the data register. As soon as both registers are written, the corresponding bit PATCH\_VALID\_REG[x] is automatically set.

### Patch Address Comparators

The patch unit has an octal address comparator to compare AHB address bus with PATCH\_ADDRx\_REG

With enabled patch entries, upon an address match, the data bus value is replaced with the corresponding PATCH\_DATAx\_REG. Matching uses priorities starting with highest priority at the last entry (PATCH\_ADDR7\_REG) and lowest priority at the first entry (PATCH\_ADDR0\_REG). This priority scheme helps SW to add more patches without having to check the previous entries with a lower entry number.

### Disabling/enabling Patch Entries

Patch entries can be disabled by writing a '1' to the write-only register PATCH\_VALID\_RESET\_REG[x]. Disabled entries can be re-enabled by writing a '1' to write-only register PATCH\_VALID\_SET\_REG[x]

To introduce new patches, the SW must check the available patch entries, evaluate the priorities (e.g. if it will use two patch entries for the same 32-bit address) and program the corresponding register pair.



## 9 Memory Map

**Table 14: Memory Map**

Address	Description
0x00000000 0x00014FFF	Boot/BLE ROM Contains 6 kB of Boot ROM code and 78 kB of Bluetooth low energy protocol related code
0x00015000 0x0001FFFF	<b>RESERVED</b>
0x00020000 0x00034FFF	Boot/BLE ROM Contains 6 kB of Boot ROM code and 78 kB of Bluetooth low energy protocol related code
0x00035000 0x0003FFFF	<b>RESERVED</b>
0x00040000 0x00047FFF	OTP Contains the OTP cell actual memory space
0x00048000 0x0007FFFF	<b>RESERVED</b>
0x00080000 0x000807FF	Retention RAM ( <b>Note 2</b> ) 2 kB of retained memory space.
0x00080800 0x000813FF	Retention RAM2 ( <b>Note 2</b> ) 3 kB of retained memory space.
0x00081400 0x00081BFF	Retention RAM3 ( <b>Note 2</b> ) 2 kB of retained memory space.
0x00081C00 0x00081FFF	Retention RAM4 ( <b>Note 2</b> ) 1 kB of retained memory space.
0x00082000 0x1FFFFFFF	<b>RESERVED</b>
0x20000000 0x2000A7FF	System RAM ( <b>Note 2</b> ) 42 kB. Contains OTP code, data for the application
0x2000A800 0x3FFFFFFF	<b>RESERVED</b>
0x40000000 0x40007FFF	AHB/BLE-Regs Contains the control registers of the Bluetooth low energy Link Layer Processor
0x40008000 0x400083FF	AHB/OTP-Regs Contains the control registers of the OTP Subsystem
0x40008400 0x400087FF	AHB/Patch-Regs Contains the registers for the HW patching
0x40008800 0x4FFFFFFF	<b>RESERVED</b>
0x50000000 0x500000FF	APB/PMU-CRG Contains the control registers of the Power Management Unit and the Clock Generator
0x50000100 0x500001FF	APB/wake-up Contains an event capture timers that can wake up the system
0x50000200 0x500002FF	APB/Quadrature Decoder Contains Logic that implements a step counter for X and Y axis from a rotary encoder
0x50000300 0x50000FFF	<b>RESERVED</b>
0x50001000 0x500010FF	APB/UART Contains the control registers of the UART
0x50001100 0x500011FF	APB/UART2 Contains the control registers of the UART2
0x50001200 0x500012FF	APB/SPI Contains the control registers of the SPI interface

Table 14: Memory Map

Address	Description
0x50001300 0x500013FF	APB/I2C Contains the control registers of the I2C interface
0x50001400 0x500014FF	APB/Kbrd Contains the registers of the Keyboard controller
0x50001500 0x500015FF	APB/ADC Contains the registers of the 4 channels ADC
0x50001600 0x500016FF	APB/AnaMisc Contains registers for various analog blocks
0x50001700 0x50001FFF	<b>RESERVED</b>
0x50002000 0x50002FFF	APB/Radio Contains the control registers of the Bluetooth low energy Radio
0x50003000 0x500030FF	APB/Ports Contains the mode and direction registers of the GPIOs
0x50003100 0x500031FF	APB/Watchdog Contains the control registers of the Watchdog timer
0x50003200 0x500032FF	APB/Version Contains the version/revision of the chip
0x50003300 0x500033FF	APB/Gen Purpose Contains general purpose control registers
0x50003400 0x500034FF	APB/Timer Contains the control registers of the SW Timer
0x50003500 0xDFFFFFFF	<b>RESERVED</b>
0xE0000000 0xE0FFFFFF	Internal Private Bus Contains various registers of the ARM Cortex-M0

**Note 1:** 1 kB = 1024 bytes. 1 Mbit = 1024\*1024 bits. 1 GB = 1024\*1024\*1024 bytes.

**Note 2:** For Exchange memory configurations please refer to [Figure 60](#).

## 10 Memory Controller

The Memory Controller implements smart multiplexing and arbitration of three different masters accessing 2 memory resources, namely the System RAM and the Retention RAM cells. The masters that require access to these memories are:

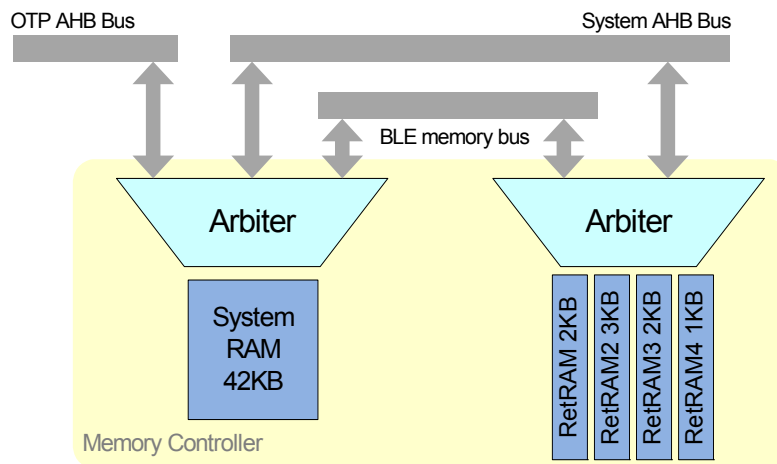
- The CPU over the system AHB bus. This master has full access to both resources.
- The OTP Controller. This master can access the System RAM only through a dedicated AHB bus.

- The BLE Controller. This master can also access both resources through its proprietary memory bus.

The block diagram is presented in [Figure 13](#).

### Features

- Meets all timing constraints for any access to the physical cells.
- Transparently interfaces AHB busses to memory signalling
- Fixed arbitration algorithm with time sharing.



**Figure 13: Memory Controller Block Diagram**

### 10.1 ARBITRATION

The arbitration is a mixture of highest priority and a fair use policy. If more masters request access, time division is employed. This to make sure none of the buses is able to stall another for a long period. The OTP and BLE accesses are handled as very critical and therefore they have highest priority. In general BLE and OTP accesses are mutual exclusive i.e. no BLE accesses occur while OTP requests. OTP has highest priority and will only occur during the OTP mirroring i.e. the system has not yet started executing application code. When OTP mirroring is done, BLE gets highest priority and only one every 3 cycles the CPU is allowed to get access. If none of the interfaces requests access, the IDLE or power down state is selected.

## 11 Clock Generation

### 11.1 CRYSTAL OSCILLATORS

The Digital Controlled Xtal Oscillator (DXCO) is a Pierce configured type of oscillator designed for low power consumption and high stability. There are two such crystal oscillators in the system, one at 16 MHz (XTAL16M) and a second at 32.768 kHz (XTAL32K). The 32.768 kHz oscillator has no trimming capabilities and is used as the clock of the Extended/Deep Sleep modes. The 16 MHz oscillator can be trimmed.

The principle schematic of the two oscillators is shown in Figure 14 below. No external components to the DA14581 are required other than the crystal itself. If the crystal has a case connection, it is advised to connect the case to ground.

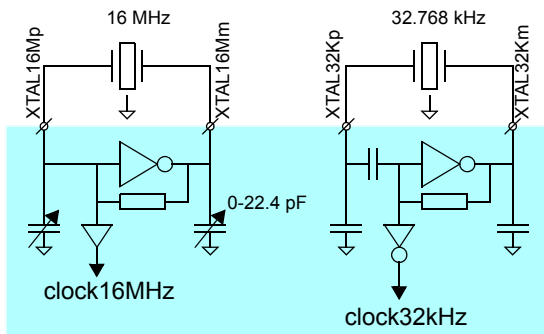


Figure 14: Crystal Oscillator Circuits

#### 11.1.1 Frequency Control (16 MHz Crystal)

Register CLK\_FREQ\_TRIM\_REG controls the trimming of the 16 MHz crystal oscillator. The frequency is trimmed by two on-chip variable capacitor banks. Both capacitor banks are controlled by the same register.

The capacitance of both variable capacitor banks varies from minimum to maximum value in 2048 equal steps. With CLK\_FREQ\_TRIM\_REG = 0x000 the maximum capacitance and thus the minimum frequency is selected. With CLK\_FREQ\_TRIM\_REG = 0x7FF the minimum capacitance and thus the maximum frequency is selected.

The eight least significant bits of CLK\_FREQ\_TRIM\_REG directly control eight binary weighted capacitors, as shown in Figure 15. The three most significant bits are decoded according to Table 15. Each of the seven outputs of the decoder controls a capacitor (value is 256 times the value of the smallest capacitor).

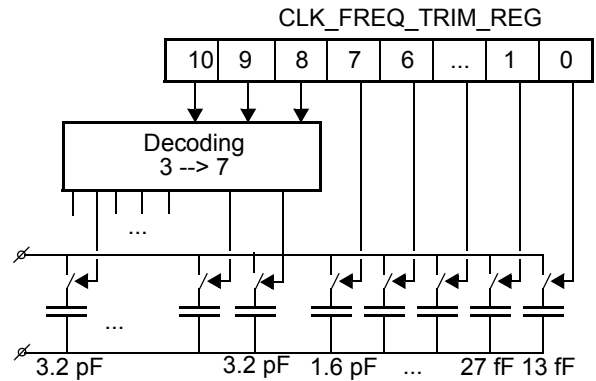


Figure 15: Frequency Trimming

Table 15: CLK\_FREQ\_TRIM\_REG Decoding 3 --> 7

Input[2:0]			Output[6:0]						
2	1	0	6	5	4	3	2	1	0
0	0	0	0	0	0	0	0	0	1
0	0	1	0	0	0	0	0	0	1
0	1	0	0	0	0	0	0	1	1
0	1	1	0	0	0	0	1	1	1
1	0	0	0	0	0	1	1	1	1
1	0	1	0	0	1	1	1	1	1
1	1	0	0	1	1	1	1	1	1
1	1	1	1	1	1	1	1	1	1

Trimming might cause phase jumps in the oscillator signal. To reduce these phase jumps the user should only change one switch at a time (this especially applies to the seven larger capacitors). Use bits 10 to 8 for coarse adjustment and always increment or decrement this value by 1. Wait approximately 200 μs to allow the adjustment to settle.

Bits 7...0 are used for fine adjustment.

As an example, the recommended way to change the frequency trim register from 0x7FF to 0x100 is first to decrement the value of the three most significant bits by 1 at a time, and then change the least significant bits until the desired frequency is reached: 0x7FF --> 0x6FF --> 0x5FF --> 0x4FF --> 0x3FF --> 0x2FF --> 0x1FF --> 0x100.

#### 11.1.2 Automated Trimming Mechanism

There is provision in the DA14581 for automating the actual trimming of the 16 MHz crystal oscillator. This is a special hardware block that realizes the XTAL trimming in a single step.

Two programmable parameters are involved in the trimming of the XTAL16M oscillator:

- TRIM\_CTRL\_REG[TRIM\_TIME]  
This field controls the time that elapses between the enabling of the XTAL and the application of the trim value specified by CLK\_FREQ\_TRIM\_REG. The TRIM\_TIME value counts cycles of 250  $\mu$ s. As soon as TRIM\_TIME\*250  $\mu$ s time has passed, the SYS\_STAT\_REG[XTAL16\_TRIM\_READY] bit becomes '1'. This is the point that the trim value will be applied at the oscillator. If TRIM\_TIME = 0000 the trim value is applied immediately when XTAL16M starts up, to reduce time.
- TRIM\_CTRL\_REG[SETTLE\_TIME]  
This field controls a counter that counts 250  $\mu$ s intervals starting when XTAL16\_TRIM\_READY has been asserted. Upon completion of the SETTLE\_TIME periods, the XTAL\_SETTLED bit in the SYS\_STAT\_REG becomes '1', indicating that XTAL16M clock is settled and trimmed and may be safely used as the system clock.

An initial manual frequency measuring action is required to store the wanted value in the OTP header (See "OTP Memory Layout" on page 10).

## 11.2 RC OSCILLATORS

There are 3 RC oscillators in the DA14581: one providing 16 MHz (RC16M), one providing 32 kHz (RC32K) and one providing a frequency in the range of 10.5 kHz (RCX).

The 16 MHz RC oscillator is powered by the Digital LDO i.e. the VDD = 1.2 V which is available for the core logic during Active or Sleep mode. The output clock is slightly slower than 16 MHz and is used to clock the system during the OTP mirroring procedure after wake-up, while the XTAL16M oscillator is settling. It is important to keep the 16 MHz RC oscillator at a frequency equal or below 16 MHz to guarantee correct behavior of the digital circuits. This is why the reset value of CLK\_16M\_REG[RC16M\_TRIM] is equal to the minimum value.

The simple RC oscillator (RC32K) operates on VDD = 1.2 V and provides 32 kHz. The enhanced RC oscillator (RCX) provides a stable 18 kHz and operates only if the external voltage is > 1.8 V (i.e. either on pin VBAT1V in BOOST mode or on pin VBAT3V in BUCK mode). The main usage of the RC32K oscillator is for internal clocking during startup.

The RCX oscillator can be used to replace a 32.768 kHz crystal, since it has a precision of < 500 ppm, while its output frequency is quite stable over temperature. Although a different frequency is used, the accuracy is good enough to ensure that the correct number of slots (625  $\mu$ s) is counted for the Sleep time.

### 11.2.1 Frequency Calibration

The output frequency of the 32 kHz crystal oscillator and the three RC-oscillators can be measured relative to the 16 MHz crystal oscillator using the on-chip reference counter.

The measurement procedure is as follows:

1. REF\_CNT\_VAL = N (the higher N, the more accurate and longer the calibration will be)
2. CLK\_REF\_SEL\_REG = 0x0006 (XTAL32K) or CLK\_REF\_SEL\_REG = 0x0005 (RC16M) or CLK\_REF\_SEL\_REG = 0x0004 (RC32K) or CLK\_REF\_SEL\_REG = 0x0007 (RCX)
3. Wait until CLK\_REF\_SEL\_REG[REF\_CAL\_START] = 0
4. Read CLK\_REF\_VAL\_H\_REG and CLK\_REF\_VAL\_L\_REG = M (32-bits values)
5. Frequency = (N/M) \* 16 MHz

In the case of using the RCX as a sleep clock, the frequency calibration should be implemented on each active time of a connection interval to guarantee correct operation.

11.3 SYSTEM CLOCK GENERATION

The DA14581 clock generation overview is presented in the following figure. External clock sources of the device are pins XTAL16Mp/XTAL16Mm and pins

XTAL32Kp/XTAL32Km for the 16 MHz and 32.768 kHz oscillators respectively.

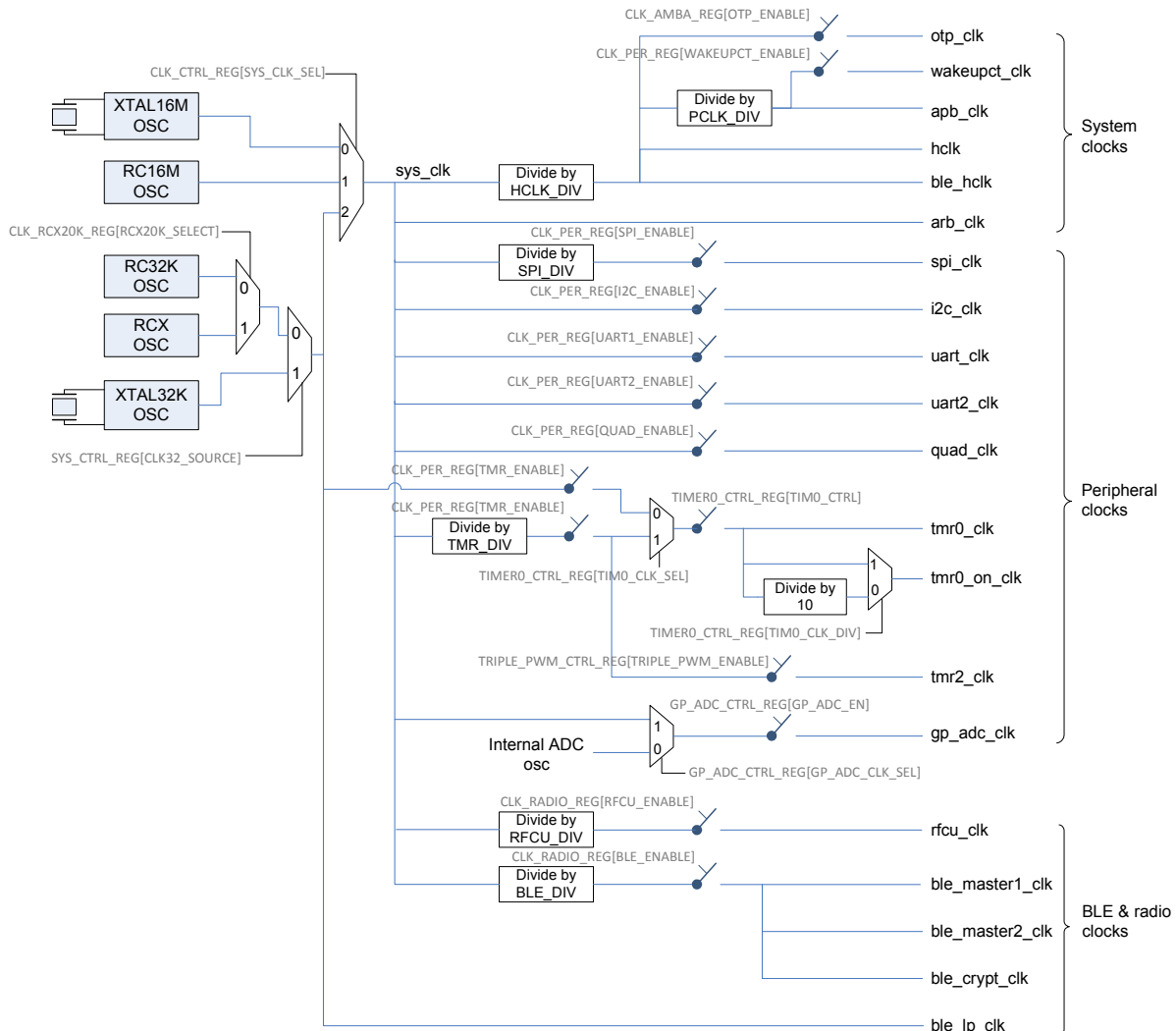


Figure 16: Clock Generation Block Diagram

Each of the clocks is generated by either a divider or a clock gate. Both dividers and clock gates are able to start/stop the clock of the module they drive. The control of the peripheral clocks is provided by CLK\_PER\_REG.

The clock names depicted in Figure 16 are explained in the following Table:

Table 16: Generated Clocks Description

Clock Name	Description
wakeupct_clk	This is the clock for the wake-up capture timer.

Table 16: Generated Clocks Description

Clock Name	Description
apb_clk	AMBA APB interface clock
otp_clk	OTP controller clock. This is also used for the OTP macro cell and should not be higher than 16 MHz
hclk	AMBA AHB interface clock
ble_hclk	AMBA AHB clock for the BLE core
spi_clk	Clock for the SPI controller. This clock is further divided by 2, 4, 8 or 14 as defined by SPI_CTRL_REG[SPI_CLK]

**Table 16: Generated Clocks Description**

Clock Name	Description
i2c_clk	Clock for the I2C controller. This clock is further divided to provide 100 kHz or 400 kHz as defined by I2C_CON_REG[I2C_SPEED]
uart_clk	Clock for the UART
uart2_clk	Clock for the UART2
quad_clk	Clock for the quadrature decoders
rfcu_clk	Clock for the RF control unit of the Radio
tmr0_clk, tmr2_clk	Timer0/2 clocks
tmr0_on_clk	Timer0 ON counter clock
gp_adc_clk	General Purpose ADC conversion clock
ble_crypt_clk	Clock for the Crypto block of the BLE core
ble_master1_clk	Internal clock for the BLE core
ble_master2_clk	Internal clock for the BLE core
arb_clk	Clock for the memory controller arbiter
ble_lp_clk	BLE core low power clock

#### 11.4 GENERAL CLOCK CONSTRAINTS

There are certain constraints on various clocks regarding their frequency relations or the effectiveness. This section summarizes these rules:

- Minimum hclk clock should be 8 MHz. This is also the clock of the ARM CPU and ensures the required MIPS for the Bluetooth low energy Protocol handling.
- hclk should always be greater or equal to the ble\_\*\_clks. This is required for the proper operation of the protocol. For example, hclk at 16 MHz and BLE clocks at 8 MHz is an acceptable combination but not the other way around.
- When the SPI block is set to Slave mode, then the spi\_clk (as depicted in [Figure 16](#)) should be at least 4x the clock frequency provided by the external SPI Master. This is required for proper sampling of the data line.
- The UART clock is derived from the system clock as follows: baud rate = (system clock DIV 16) / divisor. The division by 16 is hard coded and hence, the baud rate is generated by the divisor on the 1 MHz input. This results in a certain error percentage with respect to the well defined baud rates as presented in the following table:

**Table 17: Actual UART Baud Rates**

Target baud rate (kBd)	Divisor value	Actual baud rate (kBd)	Error (%)
115.2	9	111.1	3.54
57.6	17	58.82	2.12
38.4	26	38.46	0.16
28.8	35	28.57	0.79
19.2	52	19.23	0.16
9.6	104	9.61	0.16

If there is a hard requirement for having an average baud rate deviation of no more than 5 % on both ends of the UART connection, a baud rate with an error of maximum 2.5 % should be selected from the table above.



## 12 OTP Controller

The OTP Controller realizes all functions of the OTP macro cell in an automated and transparent way. The controller facilitates all data transfers (reading and programming), while implementing the required OTP test modes in hardware. The block diagram is presented in Figure 17.

### Features

- Implements all timing constraints for any access to the physical memory cells.
- Transparent random address access to the OTP memory cells via the AHB slave memory interface.
- Embedded DMA engine for fast mirroring of the OTP contents into the System RAM.
- Embedded DMA supports reading in bursts of 4 32-bit words
- Standby state consumes minimum power
- Hardwired handshaking with the PMU to realize the mirroring procedure
- Emulation of the mirroring procedure for the Development mode.

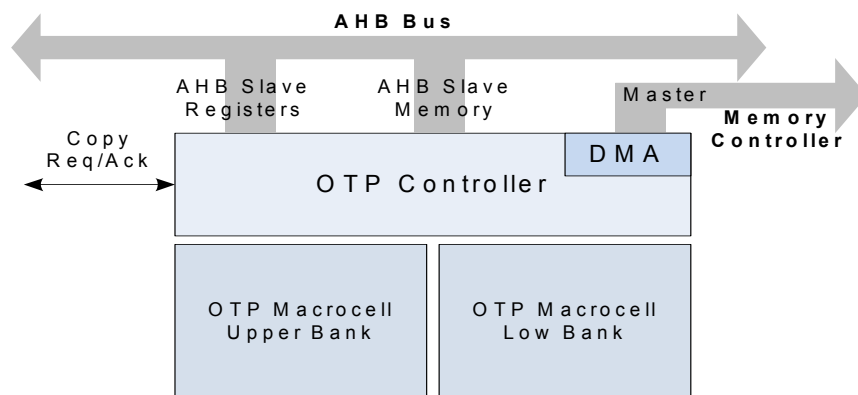


Figure 17: OTP Controller Block Diagram

### 12.1 OPERATING MODES

There are two different functional modes of operation for reading and programming respectively: manual (MREAD, MPROG) and automatic (AREAD, APROG). The OTP operating mode is programmable at `OTPC_MODE_REG[OTPC_MODE_MODE]`.

The **MREAD** mode enables the use of the memory slave interface. By activating this mode the contents of the macro cell are transparently mapped onto the specific AHB slave address space. This mode can be used for execution of software in place (XIP).

The **AREAD** mode provides the ability for reading data from the macro cell in bursts, without the use of the slave interface. This mode is used for copying large data blocks from the macro cell, as in the case of the OTP mirroring into the System RAM.

The **MPROG** mode implements the single step of the program/verify sequence. In this mode, when the programming of a bit fails, the controller does not automatically try to reprogram the bit. Hence, reprogramming should be triggered by software. The value and the address of the bit are defined through a configuration register (`OTPC_PCTRL_REG`), for both macro cell banks. The programming sequence can be enabled or disabled for each of the memory banks. The result of the program/verify is stored in register `OTPC_STAT_REG`. There is a status bit for each one of the two memory banks.

The **APROG** mode gives the ability for programming large data blocks into the macro cell. The programming is an automated procedure, during which it is only necessary to feed the controller with the required data. Data blocks can be fetched in two ways:

- Via the AHB master interface, i.e. the DMA
- Via the AHB memory interface

In the latter case, data are pumped into the OTP controller through a register, which acts as a port providing access to a FIFO.

### 12.2 AHB MASTER INTERFACE

The AHB master interface is controlled by a DMA engine with an internal FIFO of 8 32-bit words. The DMA engine supports AHB reads and writes. The AHB address where memory access should begin, is programmed into the DMA engine at `OTPC_AHBADR_REG[OTPC_AHBADR]`. The number of 32-bit words (minus 1) of a transfer must be specified in `OTPC_NWORDS_REG[OTPC_NWORDS]`.

The DMA engine internally supports the following burst types:

- Four words incremental burst
- Unspecified incremental burst of 2 or 3 words
- Single word access



### 13 I2C Interface

The I2C interface is a programmable control bus that provides support for the communications link between Integrated Circuits in a system. It is a simple two-wire bus with a software-defined protocol for system control, which is used in temperature sensors and voltage level translators to EEPROMs, general-purpose I/O, A/D and D/A converters.

#### Features

- Two-wire I2C serial interface consists of a serial data line (SDA) and a serial clock (SCL)
- Two speeds are supported:
  - Standard mode (0 to 100 kbit/s)
  - Fast mode (<= 400 kbit/s)
- Clock synchronization
- 32 deep transmit/receive FIFOs
- Master transmit, Master receive operation
- 7 or 10-bit addressing
- 7 or 10-bit combined format transfers
- Bulk transmit mode
- Default slave address of 0x055
- Interrupt or polled-mode operation
- Handles Bit and Byte waiting at both bus speeds
- Programmable SDA hold time

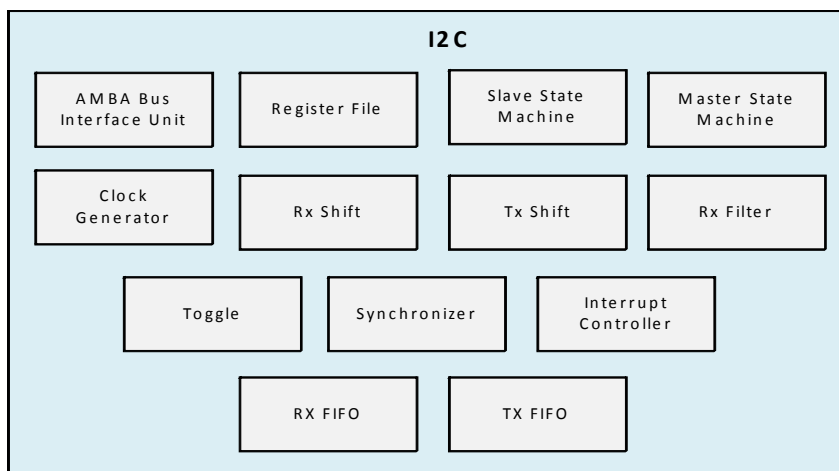


Figure 18: I2C Controller Block Diagram

The I2C Controller block diagram is shown in [Figure 18](#). It contains the following sub-blocks:

- AMBA Bus Interface Unit. Interfacing via the APB interface to access the register file.
- Register File. Contains configuration registers and is the interface with software.
- Master State Machine. Generates the I2C protocol for the master transfers.
- Clock Generator. Calculates the required timing to do the following:
  - Generate the SCL clock when configured as a master
  - Check for bus idle
  - Generate a START and a STOP
  - Setup the data and hold the data
- Rx Shift. Takes data into the design and extracts it in byte format.
- Tx Shift. Presents data supplied by CPU for transfer on the I2C bus.
- Rx Filter. Detects the events in the bus; for example, start, stop and arbitration lost.
- Toggle. Generates pulses on both sides and toggles to transfer signals across clock domains.
- Synchronizer. Transfers signals from one clock domain to another.
- Interrupt Controller. Generates the raw interrupt and interrupt flags, allowing them to be set and cleared.
- RX FIFO/TX. Holds the RX FIFO and TX FIFO register banks and controllers, along with their status levels.

#### 13.1 I2C BUS TERMS

The following terms relate to how the role of the I2C device and how it interacts with other I2C devices on the bus.

- Transmitter. the device that sends data to the bus. A transmitter can either be a device that initiates the data transmission to the bus (a master-transmitter) or responds to a request from the master to send data to the bus (a slave-transmitter).

- Receiver. The device that receives data from the bus. A receiver can either be a device that receives data on its own request (a master-receiver) or in response to a request from the master (a slave-receiver).
- Master. The component that initializes a transfer (START command), generates the clock (SCL) signal and terminates the transfer (STOP command). A master can be either a transmitter or a receiver.
- Slave. The device addressed by the master. A slave can be either receiver or transmitter.

These concepts are illustrated in Figure 19.

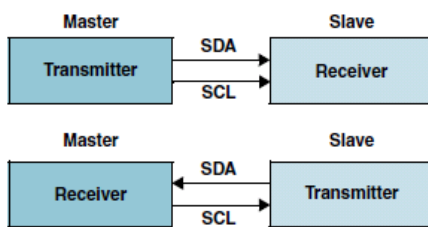


Figure 19: Master/Slave and Transmitter/Receiver Relationships

- Multi-master. The ability for more than one master to co-exist on the bus at the same time without collision or data loss.
- Arbitration. The predefined procedure that authorizes only one master at a time to take control of the bus. For more information about this behavior, refer to Multiple Master Arbitration chapter
- Synchronization. The predefined procedure that synchronizes the clock signals provided by two or more masters. For more information about this feature, refer to Clock Synchronization chapter
- SDA. Data signal line (Serial Data)
- SCL. Clock signal line (Serial CLock)

13.1.1 Bus Transfer Terms

The following terms are specific to data transfers that occur to/from the I2C bus.

- START (RESTART). data transfer begins with a

START or RESTART condition. The level of the SDA data line changes from high to low, while the SCL clock line remains high. When this occurs, the bus becomes busy.

- STOP. data transfer is terminated by a STOP condition. This occurs when the level on the SDA data line passes from the low state to the high state, while the SCL clock line remains high. When the data transfer has been terminated, the bus is free or idle once again. The bus stays busy if a RESTART is generated instead of a STOP condition.

Note 3: START and RESTART conditions are functionally identical.

13.2 I2C BEHAVIOR

The I2C can be only be controlled via software to be an I2C master only, communicating with other I2C slaves;

The master is responsible for generating the clock and controlling the transfer of data. The slave is responsible for either transmitting or receiving data to/from the master. The acknowledgement of data is sent by the device that is receiving data, which can be either a master or a slave. As mentioned previously, the I2C protocol also allows multiple masters to reside on the I2C bus and uses an arbitration procedure to determine bus ownership.

Each slave has a unique address that is determined by the system designer. When a master wants to communicate with a slave, the master transmits a START/RESTART condition that is then followed by the slave's address and a control bit (R/W) to determine if the master wants to transmit data or receive data from the slave. The slave then sends an acknowledge (ACK) pulse after the address.

If the master (master-transmitter) is writing to the slave (slave-receiver), the receiver gets one byte of data. This transaction continues until the master terminates the transmission with a STOP condition. If the master is reading from a slave (master-receiver), the slave transmits (slave-transmitter) a byte of data to the master, and the master then acknowledges the transaction with the ACK pulse. This transaction continues until the master terminates the transmission by not acknowledging (NACK) the transaction after the last byte is received, and then the master issues a STOP condition or addresses another slave after issuing a RESTART condition. This behavior is illustrated in Figure 20.

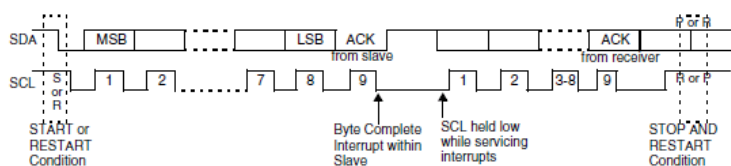


Figure 20: Data Transfer on the I2C Bus

The I2C is a synchronous serial interface. The SDA line is a bidirectional signal and changes only while the SCL line is low, except for STOP, START, and RESTART conditions. The output drivers are open-drain or open-collector to perform wire-AND functions on the bus. The maximum number of devices on the bus is limited by only the maximum capacitance specification of 400 pF. Data is transmitted in byte packages.

### 13.2.1 START and STOP Generation

When operating as an I2C master, putting data into the transmit FIFO causes the I2C Controller to generate a START condition on the I2C bus. Allowing the transmit FIFO to empty causes the I2C Controller to generate a STOP condition on the I2C bus.

When operating as a slave, the I2C Controller does not generate START and STOP conditions, as per the protocol. However, if a read request is made to the I2C Controller, it holds the SCL line low until read data has been supplied to it. This stalls the I2C bus until read data is provided to the slave I2C Controller, or the I2C Controller slave is disabled by writing a 0 to I2C\_ENABLE.

### 13.2.2 Combined Formats

The I2C Controller supports mixed read and write combined format transactions in both 7-bit and 10-bit addressing modes.

The I2C Controller does not support mixed address and mixed address format, that is, a 7-bit address transaction followed by a 10-bit address transaction or vice versa, combined format transactions.

To initiate combined format transfers, I2C\_CON.I2C\_RESTART\_EN should be set to 1. With this value set and operating as a master, when the I2C Controller completes an I2C transfer, it checks the transmit FIFO and executes the next transfer. If the direction of this transfer differs from the previous transfer, the combined format is used to issue the transfer. If the transmit FIFO is empty when the current I2C transfer completes, a STOP is issued and the next transfer is issued following a START condition.

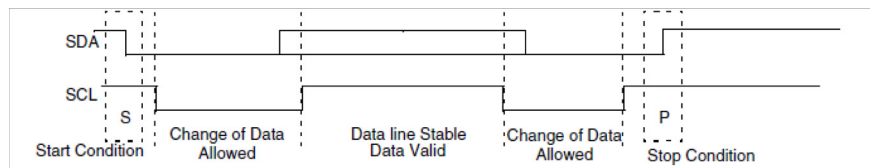
## 13.3 I2C PROTOCOLS

The I2C Controller has the following protocols:

- START and STOP Conditions
- Addressing Slave Protocol
- Transmitting and Receiving Protocol
- START BYTE Transfer Protocol

### 13.3.1 START and STOP Conditions

When the bus is idle, both the SCL and SDA signals are pulled high through external pull-up resistors on the bus. When the master wants to start a transmission on the bus, the master issues a START condition. This is defined to be a high-to-low transition of the SDA signal while SCL is 1. When the master wants to terminate the transmission, the master issues a STOP condition. This is defined to be a low-to-high transition of the SDA line while SCL is 1. [Figure 21](#) shows the timing of the START and STOP conditions. When data is being transmitted on the bus, the SDA line must be stable when SCL is 1.



**Figure 21: START and STOP Conditions**

**Note 4:** The signal transitions for the START/STOP conditions, as depicted in [Figure 20](#), reflect those observed at the output signals of the Master driving the I2C bus. Care should be taken when observing the SDA/SCL signals at the input signals of the Slave(s), because unequal line delays may result in an incorrect SDA/SCL timing relationship.

### 13.3.2 Addressing Slave Protocol

There are two address formats: the 7-bit address format and the 10-bit address format.

#### 7-bit Address Format

During the 7-bit address format, the first seven bits (bits 7:1) of the first byte set the slave address and the LSB bit (bit 0) is the R/W bit as shown in [Figure 22](#). When bit 0 (R/W) is set to 0, the master writes to the slave. When bit 0 (R/W) is set to 1, the master reads from the slave.

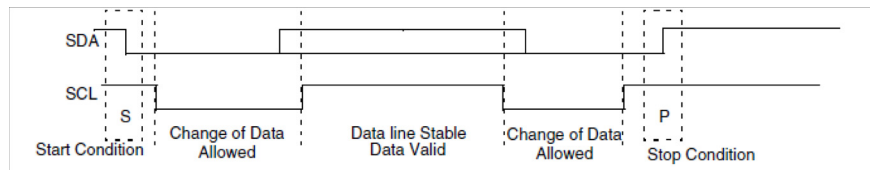


Figure 22: 7-bit Address Format

**10-bit Address Format**

During 10-bit addressing, two bytes are transferred to set the 10-bit address. The transfer of the first byte contains the following bit definition. The first five bits (bits 7:3) notify the slaves that this is a 10-bit transfer followed by the next two bits (bits 2:1), which set the

slaves address bits 9:8, and the LSB bit (bit 0) is the R/W bit. The second byte transferred sets bits 7:0 of the slave address. Figure 23 shows the 10-bit address format, and Table 18 defines the special purpose and reserved first byte addresses.

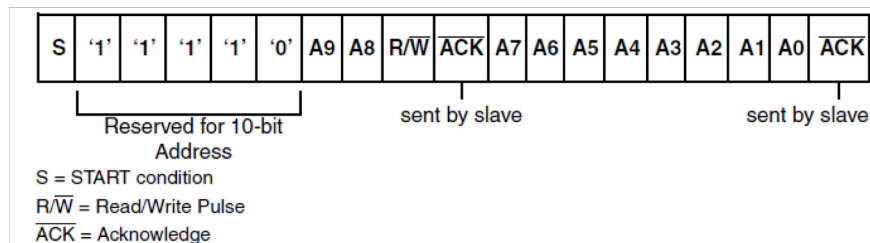


Figure 23: 10-bit Address Format

Table 18: I2C Definition of Bits in First Byte

Slave Address	R/W Bits	Description
0000 000	0	General Call Address. I2C Controller places the data in the receive buffer and issues a General Call interrupt.
0000 000	1	START byte. For more details, refer to “START BYTE Transfer Protocol” 0000
0000 001	X	CBUS address. I2C Controller ignores these accesses
0000 010	X	Reserved
0000 011	X	Reserved
0000 1XX	X	High-speed master code (for more information, refer to “Multiple Master Arbitration”)
1111 1XX	X	Reserved
1111 0XX	X	10-bit slave addressing

I2C Controller does not restrict you from using these reserved addresses. However, if you use these reserved addresses, you may run into incompatibilities with other I2C components.

**13.3.3 Transmitting and Receiving Protocols**

The master can initiate data transmission and reception to/from the bus, acting as either a master-transmitter or master-receiver. A slave responds to requests

from the master to either transmit data or receive data to/from the bus, acting as either a slave-transmitter or slave-receiver, respectively.

**Master-Transmitter and Slave-Receiver**

All data is transmitted in byte format, with no limit on the number of bytes transferred per data transfer. After the master sends the address and R/W bit or the master transmits a byte of data to the slave, the slave-receiver must respond with the acknowledge signal

(ACK). When a slave-receiver does not respond with an ACK pulse, the master aborts the transfer by issuing a STOP condition. The slave must leave the SDA line high so that the master can abort the transfer.

If the master-transmitter is transmitting data as shown in Figure 24, then the slave-receiver responds to the master-transmitter with an acknowledge pulse after every byte of data is received.

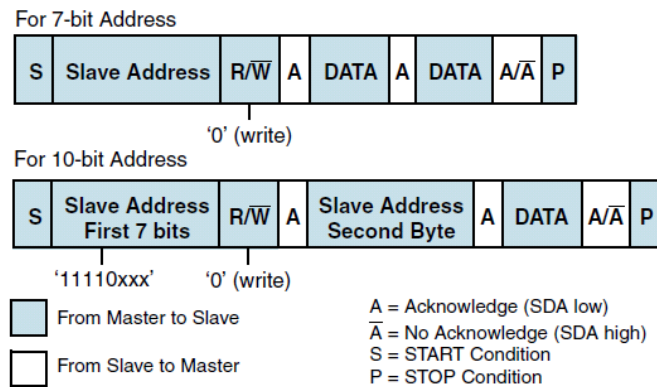


Figure 24: Master-Transmitter Protocol

**Master-Receiver and Slave-Transmitter**

If the master is receiving data as shown in Figure 25 then the master responds to the slave-transmitter with an acknowledge pulse after a byte of data has been received, except for the last byte. This is the way the master-receiver notifies the slave-transmitter that this is the last byte. The slave-transmitter relinquishes the SDA line after detecting the No Acknowledge (NACK) so that the master can issue a STOP condition.

When a master does not want to relinquish the bus with a STOP condition, the master can issue a RESTART condition. This is identical to a START condition except it occurs after the ACK pulse. The master can then communicate with the same slave or a different slave.

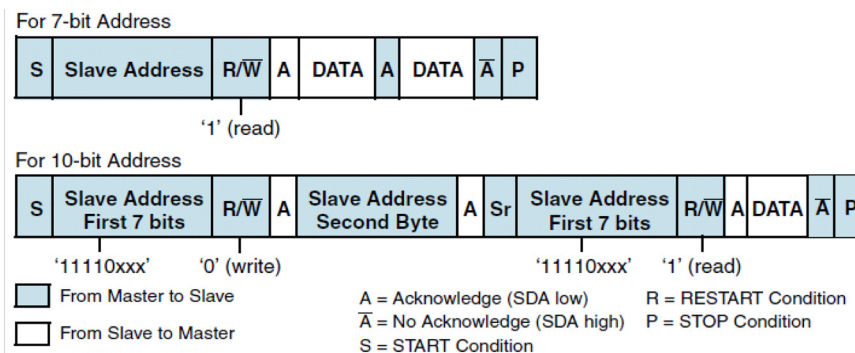


Figure 25: Master-Receiver Protocol

### START BYTE Transfer Protocol

The START BYTE transfer protocol is set up for systems that do not have an on-board dedicated I2C hardware module. When the I2C Controller is addressed as a slave, it always samples the I2C bus at the highest speed supported so that it never requires a START BYTE transfer. However, when I2C Controller is a master, it supports the generation of START BYTE transfers at the beginning of every transfer in case a slave

device requires it. This protocol consists of seven zeros being transmitted followed by a 1, as illustrated in Figure 26. This allows the processor that is polling the bus to under-sample the address phase until 0 is detected. Once the microcontroller detects a 0, it switches from the under sampling rate to the correct rate of the master.

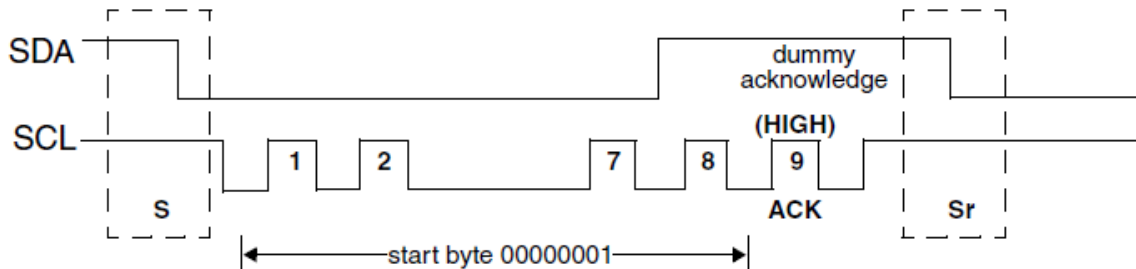


Figure 26: START BYTE Transfer

The START BYTE procedure is as follows:

1. Master generates a START condition.
2. Master transmits the START byte (0000 0001).
3. Master transmits the ACK clock pulse. (Present only to conform with the byte handling format used on the bus)
4. No slave sets the ACK signal to 0.
5. Master generates a RESTART (R) condition.

A hardware receiver does not respond to the START BYTE because it is a reserved address and resets after the RESTART condition is generated.

### 13.4 MULTIPLE MASTER ARBITRATION

The I2C Controller bus protocol allows multiple masters to reside on the same bus. If there are two masters on the same I2C-bus, there is an arbitration procedure if both try to take control of the bus at the same time by generating a START condition at the same time. Once a master (for example, a microcontroller) has control of the bus, no other master can take control until the first master sends a STOP condition and places the bus in an idle state.

Arbitration takes place on the SDA line, while the SCL line is 1. The master, which transmits a 1 while the other master transmits 0, loses arbitration and turns off its data output stage. The master that lost arbitration can continue to generate clocks until the end of the byte transfer. If both masters are addressing the same slave device, the arbitration could go into the data phase. Figure 27 illustrates the timing of when two masters are arbitrating on the bus.

For high-speed mode, the arbitration cannot go into the data phase because each master is programmed with a unique high-speed master code. This 8-bit code is

defined by the system designer and is set by writing to the High Speed Master Mode Code Address Register, I2C\_HS\_MADDR. Because the codes are unique, only one master can win arbitration, which occurs by the end of the transmission of the high-speed master code.

Control of the bus is determined by address or master code and data sent by competing masters, so there is no central master nor any order of priority on the bus.

Arbitration is not allowed between the following conditions:

- A RESTART condition and a data bit
- A STOP condition and a data bit
- A RESTART condition and a STOP condition

Slaves are not involved in the arbitration process.



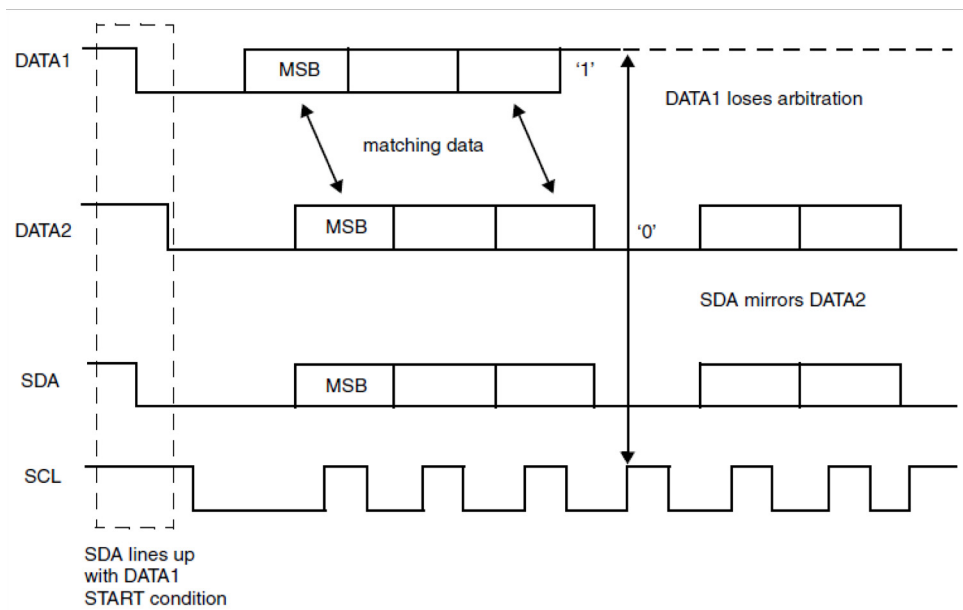


Figure 27: Multiple Master Arbitration

13.5 CLOCK SYNCHRONIZATION

When two or more masters try to transfer information on the bus at the same time, they must arbitrate and synchronize the SCL clock. All masters generate their own clock to transfer messages. Data is valid only during the high period of SCL clock. Clock synchronization is performed using the wired-AND connection to the SCL signal. When the master transitions the SCL clock to 0, the master starts counting the low time of the SCL clock and transitions the SCL clock signal to 1 at the beginning of the next clock period. However, if another master is holding the SCL line to 0, then the master

goes into a HIGH wait state until the SCL clock line transitions to 1.

All masters then count off their high time, and the master with the shortest high time transitions the SCL line to 0. The masters then counts out their low time and the one with the longest low time forces the other master into a HIGH wait state. Therefore, a synchronized SCL clock is generated, which is illustrated in Figure 28. Optionally, slaves may hold the SCL line low to slow down the timing on the I2C bus.

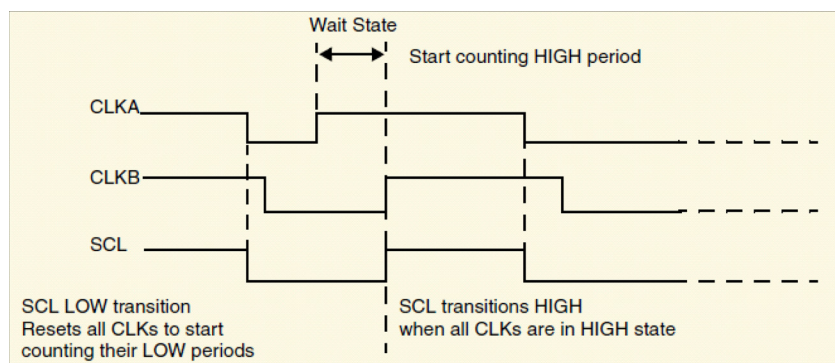


Figure 28: Multiple Master Clock Synchronization

### 13.6 OPERATION MODES

This section provides information on the following topics:

- Slave mode operation
- Master mode operation
- Disabling I2C Controller

**Note 5:** It is important to note that the I2C Controller should only be set to operate as an I2C Master, or I2C Slave, but not both simultaneously. This is achieved by ensuring that bit 6 (I2C\_SLAVE\_DISABLE) and 0 (I2C\_MASTER\_MODE) of the I2C\_CON register are never set to 0 and 1, respectively.

#### 13.6.1 Slave Mode Operation

This section includes the following procedures:

- Initial Configuration
- Slave-Transmitter Operation for a Single Byte
- Slave-Receiver Operation for a Single Byte
- Slave-Transfer Operation For Bulk Transfers

#### Initial Configuration

To use the I2C Controller as a slave, perform the following steps:

1. Disable the I2C Controller by writing a '0' to bit 0 of the I2C\_ENABLE register.
2. Write to the I2C\_SAR register (bits 9:0) to set the slave address. This is the address to which the I2C Controller responds.
3. Write to the I2C\_CON register to specify which type of addressing is supported (7- or 10-bit by setting bit 3). Enable the I2C Controller in slave-only mode by writing a '0' into bit 6 (I2C\_SLAVE\_DISABLE) and a '0' to bit 0 (MASTER\_MODE).

**Note 6:** Slaves and masters do not have to be programmed with the same type of addressing 7- or 10-bit address. For instance, a slave can be programmed with 7-bit addressing and a master with 10-bit addressing, and vice versa.

4. Enable the I2C Controller by writing a '1' in bit 0 of the I2C\_ENABLE register.

**Note 7:** Depending on the reset values chosen, steps 2 and 3 may not be necessary because the reset values can be configured. For instance, if the device is only going to be a master, there would be no need to set the slave address because you can configure I2C Controller to have the slave disabled after reset and to enable the master after reset. The values stored are static and do not need to be reprogrammed if the I2C Controller is disabled.

#### Slave-Transmitter Operation for a Single Byte

When another I2C master device on the bus addresses the I2C Controller and requests data, the I2C Controller acts as a slave-transmitter and the following steps occur:

1. The other I2C master device initiates an I2C transfer

with an address that matches the slave address in the I2C\_SAR register of the I2C Controller.

2. The I2C Controller acknowledges the sent address and recognizes the direction of the transfer to indicate that it is acting as a slave-transmitter.

3. The I2C Controller asserts the RD\_REQ interrupt (bit 5 of the I2C\_RAW\_INTR\_STAT register) and holds the SCL line low. It is in a wait state until software responds. If the RD\_REQ interrupt has been masked, due to I2C\_INTR\_MASK[5] register (M\_RD\_REQ bit field) being set to 0, then it is recommended that a hardware and/or software timing routine be used to instruct the CPU to perform periodic reads of the I2C\_RAW\_INTR\_STAT register.

a. Reads that indicate I2C\_RAW\_INTR\_STAT[5] (R\_RD\_REQ bit field) being set to 1 must be treated as the equivalent of the RD\_REQ interrupt being asserted.

b. Software must then act to satisfy the I2C transfer.

c. The timing interval used should be in the order of 10 times the fastest SCL clock period the I2C Controller can handle. For example, for 400 kb/s, the timing interval is 25us.

**Note 8:** The value of 10 is recommended here because this is approximately the amount of time required for a single byte of data transferred on the I2C bus.

4. If there is any data remaining in the TX FIFO before receiving the read request, then the I2C Controller asserts a TX\_ABRT interrupt (bit 6 of the I2C\_RAW\_INTR\_STAT register) to flush the old data from the TX FIFO.

**Note 9:** Because the I2C Controller's TX FIFO is forced into a flushed/reset state whenever a TX\_ABRT event occurs, it is necessary for software to release the I2C Controller from this state by reading the I2C\_CLR\_TX\_ABRT register before attempting to write into the TX FIFO. See register I2C\_RAW\_INTR\_STAT for more details.

If the TX\_ABRT interrupt has been masked, due to I2C\_INTR\_MASK[6] register (M\_TX\_ABRT bit field) being set to 0, then it is recommended that re-using the timing routine (described in the previous step), or a similar one, be used to read the I2C\_RAW\_INTR\_STAT register.

a. Reads that indicate bit 6 (R\_TX\_ABRT) being set to 1 must be treated as the equivalent of the TX\_ABRT interrupt being asserted.

b. There is no further action required from software.

c. The timing interval used should be similar to that described in the previous step for the I2C\_RAW\_INTR\_STAT[5] register.

5. Software writes to the I2C\_DATA\_CMD register with the data to be written (by writing a '0' in bit 8).

6. Software must clear the RD\_REQ and TX\_ABRT interrupts (bits 5 and 6, respectively) of the I2C\_RAW\_INTR\_STAT register before proceeding.

If the RD\_REQ and/or TX\_ABRT interrupts have been



masked, then clearing of the I2C\_RAW\_INTR\_STAT register will have already been performed when either the R\_RD\_REQ or R\_TX\_ABRT bit has been read as 1.

7. The I2C Controller releases the SCL and transmits the byte.

8. The master may hold the I2C bus by issuing a RESTART condition or release the bus by issuing a STOP condition.

#### Slave-Receiver Operation for a Single Byte

When another I2C master device on the bus addresses the I2C Controller and is sending data, the I2C Controller acts as a slave-receiver and the following steps occur:

1. The other I2C master device initiates an I2C transfer with an address that matches the I2C Controller's slave address in the I2C\_SAR register.

2. The I2C Controller acknowledges the sent address and recognizes the direction of the transfer to indicate that the I2C Controller is acting as a slave-receiver.

3. I2C Controller receives the transmitted byte and places it in the receive buffer.

**Note 10:** If the RX FIFO is completely filled with data when a byte is pushed, then an overflow occurs and the I2C Controller continues with subsequent I2C transfers. Because a NACK is not generated, software must recognize the overflow when indicated by the I2C Controller (by the R\_RX\_OVER bit in the I2C\_INTR\_STAT register) and take appropriate actions to recover from lost data. Hence, there is a real time constraint on software to service the RX FIFO before the latter overflow as there is no way to re-apply pressure to the remote transmitting master. You must select a deep enough RX FIFO depth to satisfy the interrupt service interval of their system.

4. I2C Controller asserts the RX\_FULL interrupt (I2C\_RAW\_INTR\_STAT[2] register).

If the RX\_FULL interrupt has been masked, due to setting I2C\_INTR\_MASK[2] register to 0 or setting I2C\_TX\_TL to a value larger than 0, then it is recommended that a timing routine (described in "Slave-Transmitter Operation for a Single Byte") be implemented for periodic reads of the "I2C\_STATUS" on page 138 register. Reads of the I2C\_STATUS register, with bit 3 (RFNE) set at 1, must then be treated by software as the equivalent of the RX\_FULL interrupt being asserted.

5. Software may read the byte from the I2C\_DATA\_CMD register (bits 7:0).

6. The other master device may hold the I2C bus by issuing a RESTART condition or release the bus by issuing a STOP condition.

#### Slave-Transfer Operation for Bulk Transfers

In the standard I2C protocol, all transactions are single byte transactions and the programmer responds to a

remote master read request by writing one byte into the slave's TX FIFO. When a slave (slave-transmitter) is issued with a read request (RD\_REQ) from the remote master (master-receiver), at a minimum there should be at least one entry placed into the slave-transmitter's TX FIFO.

I2C Controller is designed to handle more data in the TX FIFO so that subsequent read requests can take that data without raising an interrupt to get more data. Ultimately, this eliminates the possibility of significant latencies being incurred between raising the interrupt for data each time had there been a restriction of having only one entry placed in the TX FIFO.

This mode only occurs when I2C Controller is acting as a slave-transmitter. If the remote master acknowledges the data sent by the slave-transmitter and there is no data in the slave's TX FIFO, the I2C Controller holds the I2C SCL line low while it raises the read request interrupt (RD\_REQ) and waits for data to be written into the TX FIFO before it can be sent to the remote master.

If the RD\_REQ interrupt is masked, due to bit 5 (M\_RD\_REQ) of the I2C\_INTR\_STAT register being set to 0, then it is recommended that a timing routine be used to activate periodic reads of the I2C\_RAW\_INTR\_STAT register. Reads of I2C\_RAW\_INTR\_STAT that return bit 5 (R\_RD\_REQ) set to 1 must be treated as the equivalent of the RD\_REQ interrupt referred to in this section. This timing routine is similar to that described in "Slave-Transmitter Operation for a Single Byte"

The RD\_REQ interrupt is raised upon a read request, and like interrupts, must be cleared when exiting the interrupt service handling routine (ISR). The ISR allows you to either write 1 byte or more than 1 byte into the TX FIFO. During the transmission of these bytes to the master, if the master acknowledges the last byte, then the slave must raise the RD\_REQ again because the master is requesting for more data.

If the programmer knows in advance that the remote master is requesting a packet of n bytes, then when another master addresses I2C Controller and requests data, the TX FIFO could be written with n number bytes and the remote master receives it as a continuous stream of data. For example, the I2C Controller slave continues to send data to the remote master as long as the remote master is acknowledging the data sent and there is data available in the TX FIFO. There is no need to hold the SCL line low or to issue RD\_REQ again.

If the remote master is to receive n bytes from the I2C Controller but the programmer wrote a number of bytes larger than n to the TX FIFO, then when the slave finishes sending the requested n bytes, it clears the TX FIFO and ignores any excess bytes.

The I2C Controller generates a transmit abort (TX\_ABRT) event to indicate the clearing of the TX FIFO in this example. At the time an ACK/NACK is expected, if a NACK is received, then the remote mas-

ter has all the data it wants. At this time, a flag is raised within the slave's state machine to clear the leftover data in the TX FIFO. This flag is transferred to the processor bus clock domain where the FIFO exists and the contents of the TX FIFO is cleared at that time.

### 13.6.2 Master Mode Operation

This section includes the following topics:

- Initial Configuration
- Master Transmit and Master Receive

#### Initial Configuration

The procedures are very similar and are only different with regard to where the I2C\_10BITADDR\_MASTER bit is set (either bit 4 of I2C\_CON register or bit 12 of I2C\_TAR register).

To use the I2C Controller as a master perform the following steps:

1. Disable the I2C Controller by writing 0 to the I2C\_ENABLE register.
2. Write to the I2C\_CON register to set the maximum speed mode supported (bits 2:1) and the desired speed of the I2C Controller master-initiated transfers, either 7-bit or 10-bit addressing (bit 4).

Ensure that bit 6 I2C\_SLAVE\_DISABLE = 1 and bit 0 MASTER\_MODE = 1

**Note 11:** Slaves and masters do not have to be programmed with the same type of addressing 7- or 10-bit address. For instance, a slave can be programmed with 7-bit addressing and a master with 10-bit addressing, and vice versa.

3. Write to the I2C\_TAR register the address of the I2C device to be addressed (bits 9:0). This register also indicates whether a General Call or a START BYTE command is going to be performed by I2C.

4. Only applicable for high-speed mode transfers. Write to the I2C\_HS\_MADDR register the desired master code for the I2C Controller. The master code is programmer-defined.

5. Enable the I2C Controller by writing a 1 in bit 0 of the I2C\_ENABLE register.

6. Now write transfer direction and data to be sent to the I2C\_DATA\_CMD register. If the I2C\_DATA\_CMD register is written before the I2C Controller is enabled, the data and commands are lost as the buffers are kept cleared when I2C Controller is disabled.

This step generates the START condition and the address byte on the I2C Controller. Once I2C Controller is enabled and there is data in the TX FIFO, I2C Controller starts reading the data.

**Note 12:** Depending on the reset values chosen, steps 2, 3, 4, and 5 may not be necessary because the reset values can be configured. The values stored are static and do not need to be reprogrammed if the I2C Controller is disabled, with the exception of the transfer direction and data.

#### Master Transmit and Master Receive

The I2C Controller supports switching back and forth between reading and writing dynamically. To transmit data, write the data to be written to the lower byte of the IC\_DATA\_CMD register. The CMD bit [8] should be written to 0 for I2C write operations.

Subsequently, a read command may be issued by writing "don't cares" to the lower byte of the IC\_DATA\_CMD register, and a 1 should be written to the CMD bit.

The I2C Controller master continues to initiate transfers as long as there are commands present in the transmit FIFO. If the transmit FIFO becomes empty, the master inserts a STOP condition after completing the current transfer.

### 13.6.3 Disabling the I2C Controller

The register I2C\_ENABLE\_STATUS is added to allow software to unambiguously determine when the hardware has completely shutdown in response to the I2C\_ENABLE register being set from 1 to 0. Only one register is required to be monitored

#### Procedure

1. Define a timer interval (ti2c\_poll) equal to the 10 times the signalling period for the highest I2C transfer speed used in the system and supported by I2C Controller. For example, if the highest I2C transfer mode is 400 kb/s, then this ti2c\_poll is 25us.

2. Define a maximum time-out parameter, MAX\_T\_POLL\_COUNT, such that if any repeated polling operation exceeds this maximum value, an error is reported.

3. Execute a blocking thread/process/function that prevents any further I2C master transactions to be started by software, but allows any pending transfers to be completed.

**Note 13:** This step can be ignored if I2C Controller is programmed to operate as an I2C slave only.

4. The variable POLL\_COUNT is initialized to zero.

5. Set I2C\_ENABLE to 0.

6. Read the I2C\_ENABLE\_STATUS register and test the I2C\_EN bit (bit 0). Increment POLL\_COUNT by one. If POLL\_COUNT >= MAX\_T\_POLL\_COUNT, exit with the relevant error code.

7. If I2C\_ENABLE\_STATUS[0] is 1, then sleep for ti2c\_poll and proceed to the previous step.

Otherwise, exit with a relevant success code.

## 14 UART

The DA14581 contains two identical instances of this block, i.e. UART and UART2.

The UART is compliant to the industry-standard 16550 and is used for serial communication with a peripheral, modem (data carrier equipment, DCE) or data set. Data is written from a master (CPU) over the APB bus to the UART and it is converted to serial form and transmitted to the destination device. Serial data is also received by the UART and stored for the master (CPU) to read back.

There is no DMA support on the UART block since it contains internal FIFOs. Both UARTs support hardware flow control signals (RTS, CTS, DTR, DSR).

### Features

- 16 bytes Transmit and receive FIFOs
- Hardware flow control support (CTS/RTS)

- Shadow registers to reduce software overhead and also include a software programmable reset
- Transmitter Holding Register Empty (THRE) interrupt mode
- IrDA 1.0 SIR mode supporting low power mode.
- Functionality based on the 16550 industry standard:
- Programmable character properties, such as number of data bits per character (5-8), optional
- parity bit (with odd or even select) and number of stop bits (1, 1.5 or 2)
- Line break generation and detection
- Prioritized interrupt identification
- Programmable serial data baud rate as calculated by the following:  $\text{baud rate} = (\text{serial clock frequency}) / (\text{divisor})$ .

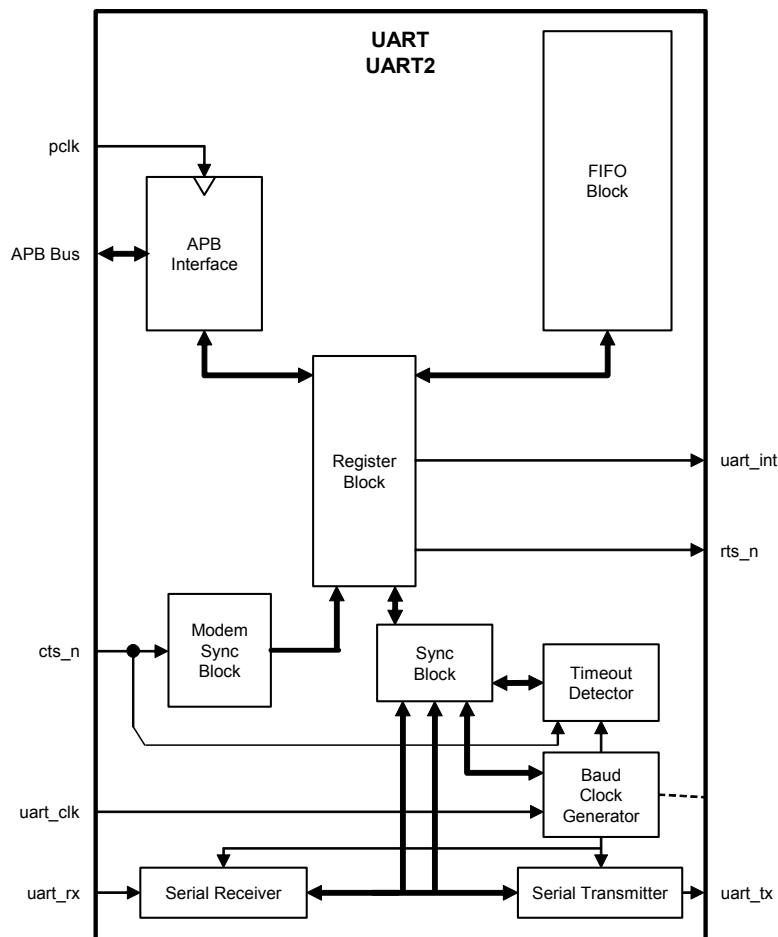


Figure 29: UART Block Diagram

### 14.1 UART (RS232) SERIAL PROTOCOL

Because the serial communication between the UART and the selected device is asynchronous, additional bits (start and stop) are added to the serial data to indicate the beginning and end. Utilizing these bits allows two devices to be synchronized. This structure of serial data accompanied by start and stop bits is referred to as a character, as shown in Figure 30

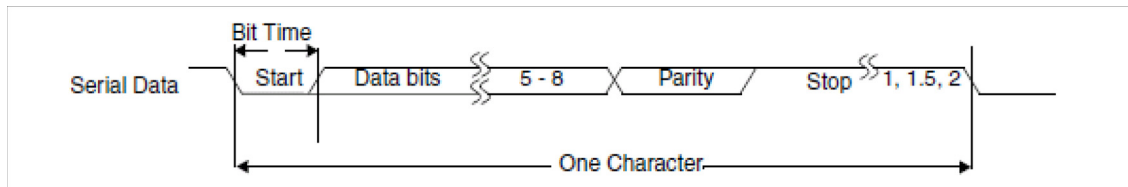


Figure 30: Serial Data Format

An additional parity bit may be added to the serial character. This bit appears after the last data bit and before the stop bit(s) in the character structure to provide the UART with the ability to perform simple error checking on the received data.

The UART Line Control Register (UART\_LCR\_REG) is used to control the serial character characteristics. The individual bits of the data word are sent after the start bit, starting with the least-significant bit (LSB). These are followed by the optional parity bit, followed by the stop bit(s), which can be 1, 1.5 or 2.

All the bits in the transmission (with exception to the half stop bit when 1.5 stop bits are used) are transmit-

ted for exactly the same time duration. This is referred to as a Bit Period or Bit Time. One BitTime equals 16 baud clocks. To ensure stability on the line the receiver samples the serial input data at approximately the mid point of the Bit Time once the start bit has been detected. As the exact number of baud clocks that each bit was transmitted for is known, calculating the mid point for sampling is not difficult, that is every 16 baud clocks after the mid point sample of the start bit. Figure 31 shows the sampling points of the first couple of bits in a serial character.

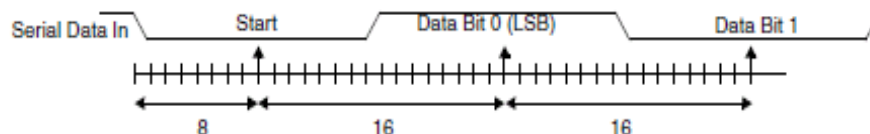


Figure 31: Receiver Serial Data Sampling Points

As part of the 16550 standard an optional baud clock reference output signal (baudout\_n) is supplied to provide timing information to receiving devices that require it. The baud rate of the UART is controlled by the serial clock (sclk or pclk in a single clock implementation) and the Divisor Latch Register (DLH and DLL).

### 14.2 IRDA 1.0 SIR PROTOCOL

The Infrared Data Association (IrDA) 1.0 Serial Infrared (SIR) mode supports bi-directional data communications with remote devices using infrared radiation as the transmission medium. IrDA 1.0 SIR mode specifies a maximum baud rate of 115.2 kBaud.

**Note 14:** Attention. Information provided on IrDA SIR mode in this section assumes that the reader is fully familiar with the IrDA Serial Infrared Physical Layer Specifications. This specification can be obtained from the following website: <http://www.irda.org>

The data format is similar to the standard serial (sout and sin) data format. Each data character is sent serially, beginning with a start bit, followed by 8 data bits, and ending with at least one stop bit. Thus, the number of data bits that can be sent is fixed. No parity information can be supplied and only one stop bit is used while in this mode.

Trying to adjust the number of data bits sent or enable

parity with the Line Control Register (LCR) has no effect. When the UART is configured to support IrDA 1.0 SIR it can be enabled with Mode Control Register (MCR) bit 6. When the UART is not configured to support IrDA SIR mode, none of the logic is implemented and the mode cannot be activated, reducing total gate counts. When SIR mode is enabled and active, serial data is transmitted and received on the `sir_out_n` and `sir_in` ports, respectively.

Transmitting a single infrared pulse signals a logic zero, while a logic one is represented by not sending a

pulse. The width of each pulse is 3/16th of a normal serial bit time. Thus, each new character begins with an infrared pulse for the start bit. However, received data is inverted from transmitted data due to the infrared pulses energizing the photo transistor base of the IrDA receiver, pulling its output low. This inverted transistor output is then fed to the UART `sir_in` port, which then has correct UART polarity. Figure 32 shows the timing diagram for the IrDA SIR data format in comparison to the standard serial format.

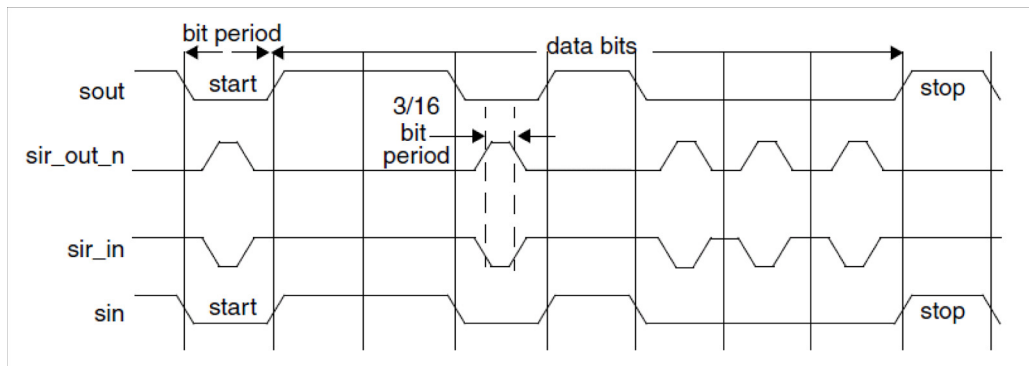


Figure 32: IrDA SIR Data Format

As detailed in the IrDA 1.0 SIR, the UART can be configured to support a low-power reception mode. When the UART is configured in this mode, the reception of SIR pulses of 1.41  $\mu\text{s}$  (minimum pulse duration) is possible, as well as nominal 3/16th of a normal serial bit time. Using this low-power reception mode requires programming the Low Power Divisor Latch (LPDLL/LPDLH) registers. It should be noted that for all `sck` frequencies greater than or equal to 7.37 MHz (and obey the requirements of the Low Power Divisor Latch registers), pulses of 1.41  $\mu\text{s}$  are detectable. However there are several values of `sck` that do not allow the detection of such a narrow pulse and these are as follows:

Table 19: Low Power Divisor Latch Register Values

SCLK	Low Power Divisor Latch Register Value	Min. Pulse Width for Detection
1.84 MHz	1	3.77 $\mu\text{s}$
3.69 MHz	2	2.086 $\mu\text{s}$
5.33 MHz	3	1.584 $\mu\text{s}$

When IrDA SIR mode is enabled, the UART operation is similar to when the mode is disabled, with one exception; data transfers can only occur in half-duplex fashion when IrDA SIR mode is enabled. This is because the IrDA SIR physical layer specifies a minimum of 10 ms delay between transmission and reception. This 10 ms delay must be generated by software.

### 14.3 CLOCK SUPPORT

The UART has two system clocks (`pclk` and `sck`). Having the second asynchronous serial clock (`sck`) implemented accommodates accurate serial baud rate settings, as well as APB bus interface requirements.

With the two clock design a synchronization module is implemented for synchronization of all control and data across the two system clock boundaries.

A serial clock faster than four-times the PCLK does not leave enough time for a complete incoming character to be received and pushed into the receiver FIFO. However, in most cases, the PCLK signal is faster than the serial clock and this should never be an issue.

The serial clock modules must have time to see new register values and reset their respective state machines. This total time is guaranteed to be no more than eight clock cycles of the slower of the two system clocks. Therefore, no data should be transmitted or received before this maximum time expires, after initial configuration.

For a clear view of the baud rate generation and the constraints, please refer to [section 11.4](#).



#### 14.4 INTERRUPTS

The assertion of the UART interrupt (UART\_INT) occurs whenever one of the several prioritized interrupt types are enabled and active. The following interrupt types can be enabled with the IER register:

- Receiver Error
- Receiver Data Available

- Character Timeout (in FIFO mode only)
- Transmitter Holding Register Empty at/below threshold (in Programmable THRE interrupt mode)

When an interrupt occurs the master accesses the UART\_IIR\_REG to determine the source of the interrupt before dealing with it accordingly. These interrupt types are described in more detail in [Table 20](#).

**Table 20: UART Interrupt Priorities**

Interrupt ID	Interrupt Set and Reset Functions			
Bits [3-0]	Priority Level	Interrupt Type	Interrupt Source	Interrupt Reset Control
0001	-	None		
0110	Highest	Receiver Line status	Overrun/parity/ framing errors or break interrupt	Reading the line status register
0100	1	Receiver Data Available	Receiver data available (non-FIFO mode or FIFOs disabled) or RCVR FIFO trigger level reached (FIFO mode and FIFOs enabled)	Reading the receiver buffer register (non-FIFO mode or FIFOs disabled) or the FIFO drops below the trigger level (FIFO mode and FIFOs enabled)
1100	2	Character timeout indication	No characters in or out of the RCVR FIFO during the last 4 character times and there is at least 1 character in it during this time.	Reading the receiver buffer register
0010	3	Transmitter holding register empty	Transmitter holding register empty (Prog. THRE Mode disabled) or XMIT FIFO at or below threshold (Prog. THRE Mode enabled).	Reading the IIR register (if source of interrupt); or, writing into THR (FIFOs or THRE Mode not selected or disabled) or XMIT FIFO above threshold (FIFOs and THRE Mode selected and enabled).
0000	4	Reserved		
0111	Lowest	Reserved	-	-

#### 14.5 PROGRAMMABLE THRE INTERRUPT

The UART can be configured to have a Programmable THRE Interrupt mode available to increase system performance.

When Programmable THRE Interrupt mode is selected it can be enabled via the Interrupt Enable Register (IER[7]). When FIFOs and the THRE Mode are implemented and enabled, THRE Interrupts are active at, and below, a programmed transmitter FIFO empty threshold level, as opposed to empty, as shown in the flowchart in [Figure 33](#).

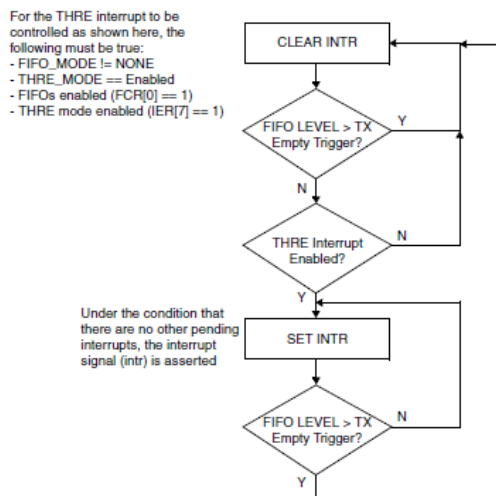


Figure 33: Flowchart of Interrupt Generation for Programmable THRE Interrupt Mode

This threshold level is programmed into FCR[5:4]. The available empty thresholds are: empty, 2, ¼ and ½. See UART\_FCR\_REG for threshold setting details. Selection of the best threshold value depends on the system's ability to begin a new transmission sequence in a timely manner. However, one of these thresholds should prove optimum in increasing system performance by preventing the transmitter FIFO from running empty.

In addition to the interrupt change, Line Status Register (LSR[5]) also switches function from indicating transmitter FIFO empty, to FIFO full. This allows software to fill the FIFO each transmit sequence by polling LSR[5] before writing another character. The flow then becomes, “fill transmitter FIFO whenever an interrupt

occurs and there is data to transmit”, instead of waiting until the FIFO is completely empty. Waiting until the FIFO is empty causes a performance hit whenever the system is too busy to respond immediately.

Even if everything else is selected and enabled, if the FIFOs are disabled via FCR[0], the Programmable THRE Interrupt mode is also disabled. When not selected or disabled, THRE interrupts and LSR[5] function normally (both reflecting an empty THR or FIFO). The flowchart of THRE interrupt generation when not in programmable THRE interrupt mode is shown in Figure 34.

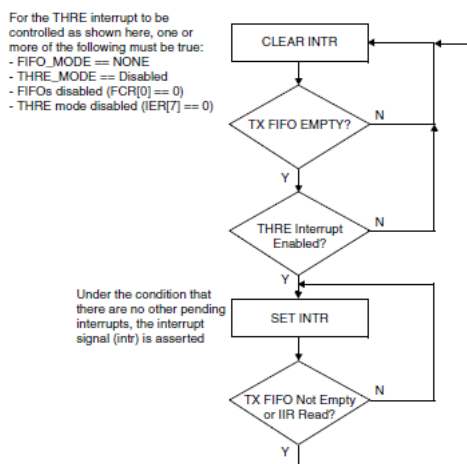


Figure 34: Flowchart of Interrupt Generation When Not in Programmable THRE Interrupt Mode



#### 14.6 SHADOW REGISTERS

The shadow registers shadow some of the existing register bits that are regularly modified by software. These can be used to reduce the software overhead that is introduced by having to perform read-modify writes.

- UART\_SRBR\_REG support a host burst mode where the host increments its address but still accesses the same Receive buffer register
- UART\_STHR support a host burst mode where the host increments its address but still accesses the same transmit holding register.
- UART\_SFE\_REG accesses the FCR[0] register without accessing the other UART\_FCR\_REG bits.
- UART\_SRT\_REG accesses the FCR[7-6] register without accessing the other UART\_FCR\_REG bits.
- UART\_STER\_REG accesses the FCR[5-4] register without accessing the other UART\_FCR\_REG bits.

#### 14.7 DIRECT TEST MODE

The on-chip UARTS can be used for the Direct Test Mode required for the final product PHY layer testing. It can be done either over the HCI layer, which engages a full CTS/RTS UART or using a 2-wire UART directly as described in the Bluetooth Low Energy Specification (Volume 6, Part F).

## 15 SPI+ Interface

This interface supports a subset of the Serial Peripheral Interface (SPI™). The serial interface can transmit and receive 8, 16 or 32 bits in master/slave mode and transmit 9 bits in master mode. The SPI+ interface has enhanced functionality with bidirectional 2x16-bit word FIFOs.

SPI is a trademark of Motorola, Inc.

### Features

- Slave and Master mode
- 8 bit, 9 bit, 16 bit or 32 bit operation

- Clock speeds up to 16 MHz for the SPI controller. Programmable output frequencies of SPI source clock divided by 1, 2, 4, 8
- SPI clock line speed up to 8 MHz
- SPI mode 0, 1, 2, 3 support (clock edge and phase)
- Programmable SPI\_DO idle level
- Maskable Interrupt generation
- Bus load reduction by unidirectional writes-only and reads-only modes.
- Built-in RX/TX FIFOs for continuous SPI bursts.

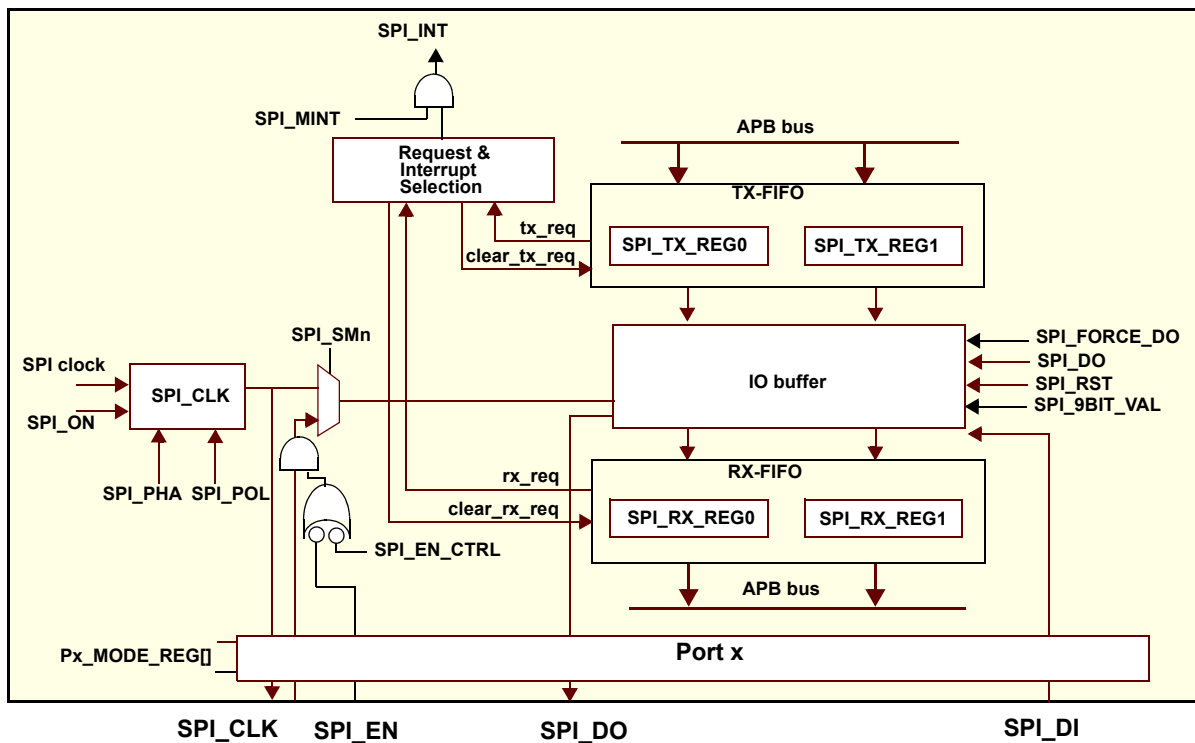


Figure 35: SPI Block Diagram

### 15.1 OPERATION WITHOUT FIFOS

This mode is the default mode.

#### Master Mode

To enable SPI™ operation, first the individual port signal must be enabled. Next the SPI must be configured in SPI\_CTRL\_REG, for the desired mode. Finally bit **SPI\_ON** must be set to 1.

A SPI transfer cycle starts after writing to the SPI\_RX\_TX\_REG0. In case of 32 bits mode, the SPI\_RX\_TX\_REG1 must be written first. Writing to SPI\_RX\_TX\_REG0 also sets the SPI\_TXH. As soon as the holding register is copied to the IO buffer, the SPI\_TXH is reset and a serial transfer cycle of 8/9/16/32 clock-cycles is started which causes 8/9/16/32 bits

to be transmitted on SPI\_DO. Simultaneously, data is received on SPI\_DI and shifted into the IO buffer. The transfer cycle finishes after the 8th/9th/16th/32nd clock cycle and SPI\_INT\_BIT is set in the SPI\_CTRL\_REG and SPI\_INT\_PENDING bit in (RE)SET\_INT\_PENDING\_REG is set. The received bits in the IO buffer are copied to the SPI\_RX\_TX\_REG0 (and SPI\_RX\_TX\_REG1 in case of 32 bits mode) where they can be read by the CPU.

Interrupts to the ICU can be disabled using the SPI\_MINT bit. To clear the SPI interrupt source, any value to SPI\_CLEAR\_INT\_REG must be written. Note however that SPI\_INT will be set as long as the RX-FIFO contains unread data.

### Slave Mode

The slave mode is selected with **SPI\_SMn** set to 1 and the **Px\_MODE\_REG** must also select **SPI\_CLK** as input. The functionality of the IO buffer in slave and master mode is identical. The SPI module clocks data in on **SPI\_DI** and out on **SPI\_DO** on every active edge of **SPI\_CLK**. As shown in [Figure 36](#) to [Figure 39](#). The SPI has an active low clock enable **SPI\_EN**, which can be enabled with bit **SPI\_EN\_CTRL=1**.

In slave mode the internal SPI clock must be more than four times the **SPI\_CLK**

In slave mode the **SPI\_EN** serves as a clock enable and bit synchronization. If enabled with bit **SPI\_EN\_CTRL**. As soon as **SPI\_EN** is deactivated between the MSB and LSB bits, the I/O buffer is reset.

### SPI\_POL and SPI\_PHA

The phase and polarity of the serial clock can be changed with bits **SPI\_POL** and **SPI\_PHA** in the **SPI\_CTRL\_REG**.

### SPI\_DO Idle Levels

The idle level of signal **SPI\_DO** depends on the master or slave mode and polarity and phase mode of the clock.

In master mode pin **SPI\_DO** gets the value of bit **SPI\_DO** if the SPI is idle in all modes. Also if slave in SPI modes 0 and 2, **SPI\_DO** is the initial and final idle level.

In SPI modes 1 and 3 however there is no clock edge after the sampled lsb and pin **SPI\_DO** gets the lsb value of the IO buffer. If required, the **SPI\_DO** can be forced to the **SPI\_DO** bit level by resetting the SPI to the idle state by shortly setting bit **SPI\_RST** to 1. (Optionally **SPI\_FORCE\_DO** can be set, but this does not reset the IO buffer). The following diagrams show the timing of the SPI<sup>TM</sup> interface.

### Writes Only Mode

In “writes only” mode (**SPI\_FIFO\_MODE** = “10”) only the TX-FIFO is used. Received data will be copied to the **SPI\_RX\_TX\_REGx**, but if a new SPI transfer is finished before the old data is read from the memory, this register will be overwritten.

**SPI\_INT** acts as a tx\_request signal, indicating that there is still place in the FIFO. It will be ‘0’ when the FIFO is full or else ‘1’ when it’s not full. This is also indicated in the **SPI\_CTRL\_REG[SPI\_TXH]**, which is ‘1’ if the TX-FIFO is full. Writing to the FIFO if this bit is still 1, will result in transmission of undefined data. If all data has been transferred, **SPI\_CTRL\_REG1[SPI\_BUSY]** will become ‘0’.

### Reads Only Mode

In “reads only” mode (**SPI\_FIFO\_MODE** = “01”) only the RX-FIFO is used. Transfers will start immediately when the SPI is turned on in this mode. In transmit direction the **SPI\_DO** pin will transmit the IO buffer contents being the actual value of the **SPI\_TX\_REGx**

(all 0’s after reset). This means that no dummy writes are needed for reads only transfers.

In **Slave Mode** transfers only take place if the external master initiates them, but in master mode this means that transfers will continue until the RX-FIFO is full. If this happens **SPI\_CTRL\_REG1[SPI\_BUSY]** will become ‘0’. If exactly N words need to be read from SPI device, first read (N - *fifosize*+1) words. Then wait until the **SPI\_BUSY** becomes ‘0’, set **SPI\_FIFO\_MODE** to “00” and finally read the remaining (*fifosize* +1) words. Here *fifosize* is 4/2/1 words for 8/16/32 bits mode respectively.

If this is not done, more data will be read from the SPI device until the FIFO is completely filled, or the SPI is turned off.

### Bidirectional Transfers with FIFO

If **SPI\_FIFO\_MODE** is “00”, both registers are used as a FIFO. **SPI\_TXH** indicates that TX-FIFO is full, **SPI\_INT** indicates that there is data in the RX-FIFO.

### 15.2 9 BITS MODE

The 9 bits mode can be used to support 9 bits displays and is selected with **SPI\_CTRL\_REG[SPI\_WORD]** set to ‘11’. The value of the 9th bit, set in the **SPI\_CTRL\_REG1[SPI\_9BIT\_VAL]** and is used to determine if the next 8 bits form a command word or data word. Because the 9th bit is not part of the data, the FIFOs are still used in the 8 bits mode. The 9th bit is received but not saved because it is shifted out of the 8 bits shift register upon reception.

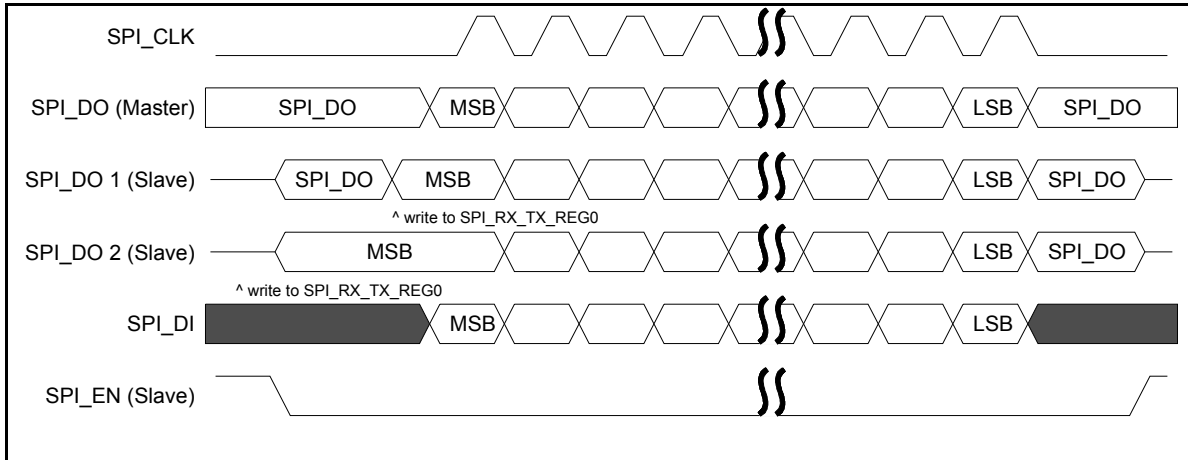


Figure 36: SPI Master/Slave, Mode 0: SPI\_POL=0 and SPI\_PHA=0

**Note 15:** If 9 bits SPI mode, the MSB bit in transmit direction is determined by bit SPI\_CTRL\_REG[SPI\_9BIT\_VAL]. In receive direction, the MSB is received but not stored.

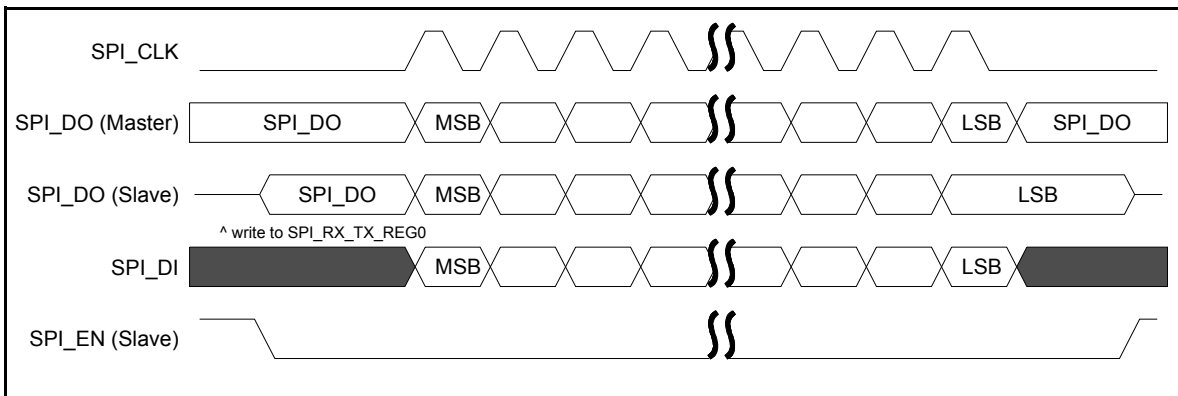


Figure 37: SPI Master/Slave, Mode 1: SPI\_POL=0 and SPI\_PHA=1

For the MSB bit refer to note 15.

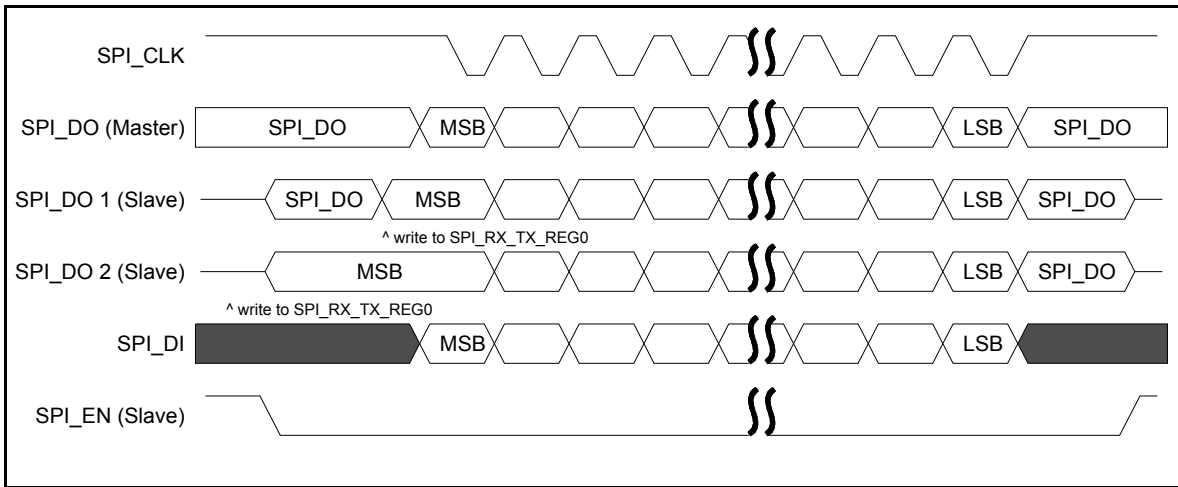


Figure 38: SPI Master/Slave, Mode 2: SPI\_POL=1 and SPI\_PHA=0

For the MSB bit refer to note 15.

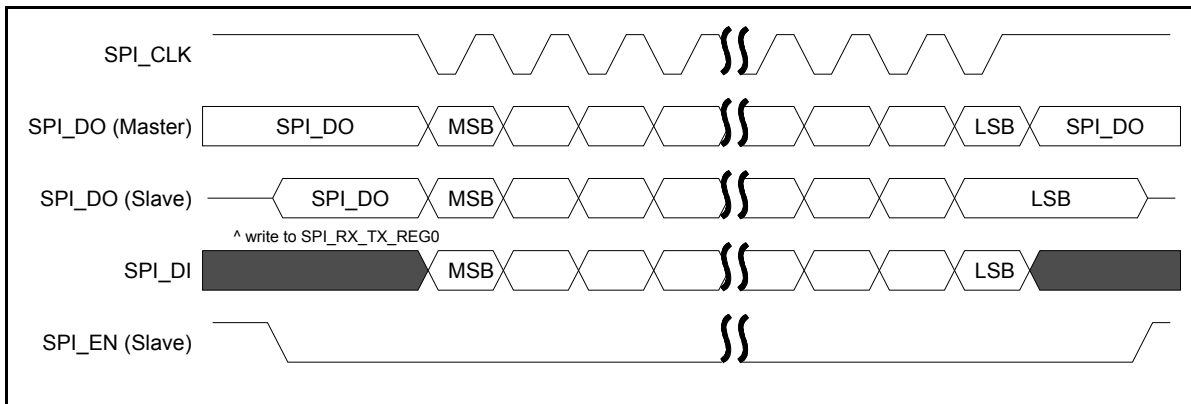


Figure 39: SPI Master/Slave, Mode 3: SPI\_POL=1 and SPI\_PHA=1

For the MSB bit refer to note 15.

## 16 Quadrature Decoder

The DA14581 has a integrated quadrature decoder that can automatically decode the signals for the X, Y and Z axes of a HID input device, reporting step count and direction. This block can be used for waking up the chip as soon as there is any kind of movement from the external device connected to it. The block diagram of the quadrature decoder is presented in Figure 40.

### Features

- Three 16-bit signed counters that provide the step count and direction on each of the axes (X, Y and Z)
- Programmable system clock sampling at maximum 16 MHz.
- APB interface for control and programming
- Programmable source from P0, P1 and P2 ports
- Digital filter on the channel inputs to avoid spikes

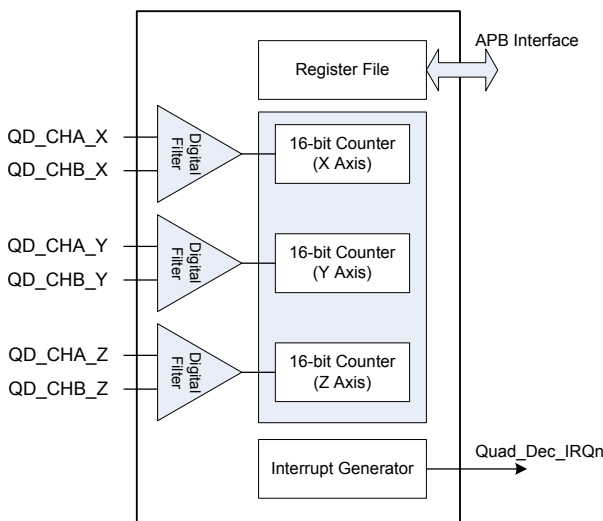


Figure 40: Quadrature Decoder Block Diagram

Channels are expected to provide a pulse train with 90 degrees rotation as displayed in the following figures:

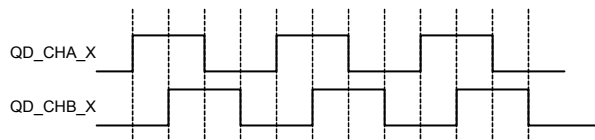


Figure 41: Moving Forward on Axis X

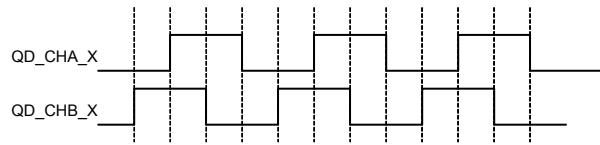


Figure 42: Moving Backwards on Axis X

Depending on whether channel A or channel B is leading in phase, the quadrature decoding block calculates the direction on the related axis. Furthermore, the signed counter value represents the number of steps moved.

Since six channels are required (two for each axis), all P0 and P1 signals and some of the P2 port can be mapped onto this block. The user can choose which GPIOs to use for the channels by programming the QDEC\_CTRL2\_REG register.

The digital filter eliminates any spike shorter than two clock periods. The counter holds the movement events of the channel. When a channel is disabled the counter is reset. The counters are accessible via the APB bus.

The quadrature decoder operates on the system clock. The QDEC\_CLOCKDIV register defines the number of clock cycles of the period at which the decoding logic samples the data on the channel inputs.

### 17 Wake-Up Timer

The Wake-up timer can be programmed to wake up the DA14581 from power down mode after a preprogrammed number of GPIO events.

Each of the GPIO inputs can be selected to generate an event by programming the corresponding WKUP\_SELECT\_Px\_REG register. When all WKUP\_SELECT\_Px\_REG registers are configured to generate a wake-up interrupt, a toggle on any GPIO will wake up the system.

The input signal edge can be selected by programming the WKUP\_POL\_Px\_REG register.

The block diagram illustrating the Wake-up function is shown in Figure 43.

#### Features

- Monitors any GPIO state change
- Implements debouncing time from 0 up to 63 ms
- Accumulates external events and compares the number to a programmed value
- Generates an interrupt to the CPU

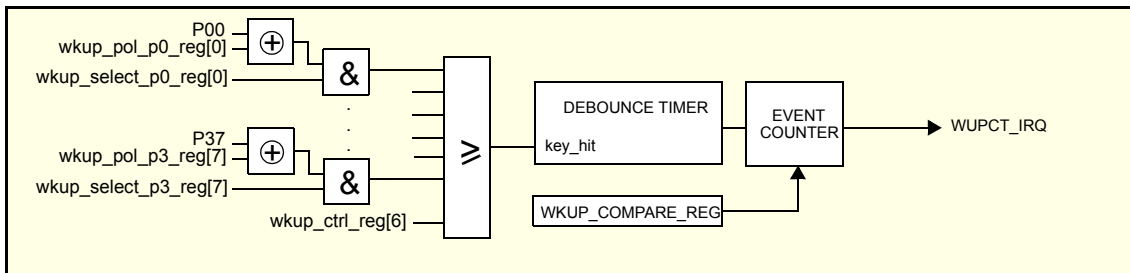


Figure 43: Wake-Up Timer Block Diagram

A LOW to HIGH level transition on the selected input port, while WKUP\_POL\_Px\_REG[y] = 0, sets internal signal “key\_hit” to ‘1’. This signal triggers the event counter state machine as shown in Figure 44.

The debounce timer is loaded with value WKUP\_CTRL\_REG[WKUP\_DEB\_VALUE]. The timer counts down every 1 ms. If the timer reaches 0 and the “key\_hit” signal is still ‘1’, the event counter will be incremented.

The event counter is edge sensitive. After detecting an active edge a reverse edge must be detected first before it goes back to the IDLE state and from there starts waiting for a new active edge.

A minimum pulse duration of 2 sleep clock cycles must be applied to the GPIO to ensure a successful system wake-up.

If the event counter is equal to the value set in the WKUP\_COMPARE\_REG register, the counter will be reset and an interrupt will be generated, if it was enabled by WKUP\_CTRL\_REG[ENABLE\_IRQ].

The interrupt can be cleared by writing any value to register WKUP\_RESET\_IRQ\_REG.

The event counter can be reset by writing any value to register WKUP\_RESET\_CNTR\_REG.

The value of the event counter can be read at any time by reading register WKUP\_COUNTER\_REG.

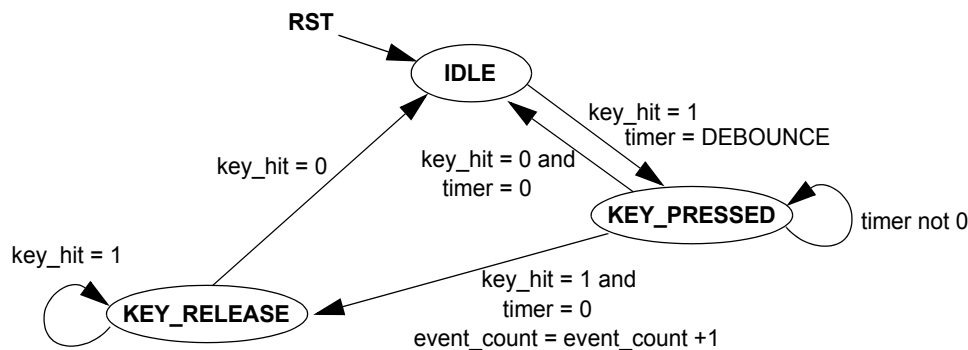


Figure 44: Event Counter State Machine for the Wake-up Interrupt Generator



## 18 General Purpose Timers

The Timer block contains 2 timer modules that are software controlled, programmable and can be used for various tasks. Timer 0 is a 16-bit general purpose timer with a PWM output capability. Timer 2 is a 14-bit counter that generates three identical PWM signals in a quite flexible manner.

### 18.1 TIMER 0

Timer 0 is a 16-bit general purpose software programmable timer, which has the ability of generating Pulse Width Modulated signals, namely PWM0 and PWM1. It also generates the SWTIM\_IRQ interrupt to the ARM Cortex-M0. It can be configured in various modes regarding output frequency, duty cycle and the modulation of the PWM signals.

### Features

- 16-bit general purpose timer
- Ability to generate 2 Pulse Width Modulated signals (PWM0 and PWM1)

- Programmable output frequency:

$$f = \frac{(16, 8, 4, 2 \text{ MHz or } 32 \text{ kHz})}{(M + 1) + (N + 1)}$$

with  $N = 0$  to  $(2^{16}-1)$ ,  $M = 0$  to  $(2^{16}-1)$

- Programmable duty cycle:

$$\delta = \frac{M + 1}{(M + 1) + (N + 1)} \times 100 \%$$

- Separately programmable interrupt timer:

$$T = \frac{(16, 8, 4, 2 \text{ MHz or } 32 \text{ kHz})}{(ON + 1)}$$

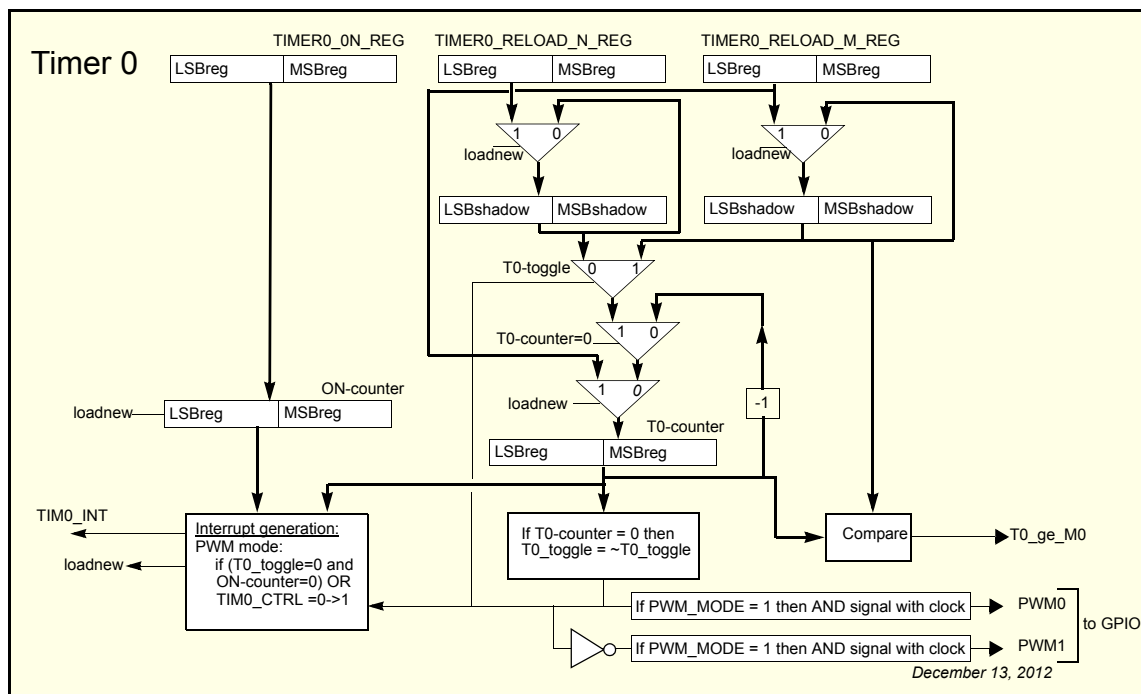


Figure 45: Timer 0 Block Diagram

Figure 45 shows the block diagram of Timer 0. The 16 bits timer consists of two counters: T0-counter and ON-counter, and three registers: TIMER0\_RELOAD\_M\_REG, TIMER0\_RELOAD\_N\_REG and TIMER0\_ON\_REG. Upon reset, the counter and register values are 0x0000. Timer 0 will generate a Pulse Width Modulated signal PWM0. The frequency and duty cycle of PWM0 are determined by the contents of the TIMER0\_RELOAD\_N\_REG and the TIMER0\_RELOAD\_M\_REG registers.

The timer can run at five different clocks: 16 MHz, 8 MHz, 4 MHz, 2 MHz or 32 kHz. The 32 kHz clock is

selected by default with bit TIM0\_CLK\_SEL in the TIMER0\_CTRL\_REG register. This 'slow' clock has no enabling bit. The other four options can be selected by setting the TIM0\_CLK\_SEL bit and the TMR\_ENABLE bit in the CLK\_PER\_REG (default disabled). This register also controls the frequency via the TMR\_DIV bits. An extra clock divider is available that can be activated via bit TIM0\_CLK\_DIV of the timer control register TIMER0\_CTRL\_REG. This clock divider is only used for the ON-counter and always divides by 10.

Timer 0 operates in PWM mode. The signals PWM0 and PWM1 can be mapped to any GPIOs.

**Timer 0 PWM Mode**

If bit TIM0\_CTRL in the TIMER0\_CTRL\_REG is set, Timer 0 will start running. SWTIM\_IRQ will be generated and the T0-counter will load its start value from the TIMER0\_RELOAD\_M\_REG register, and will decrement on each clock. The ON-counter also loads its start value from the TIMER0\_ON\_REG register and decrements with the selected clock.

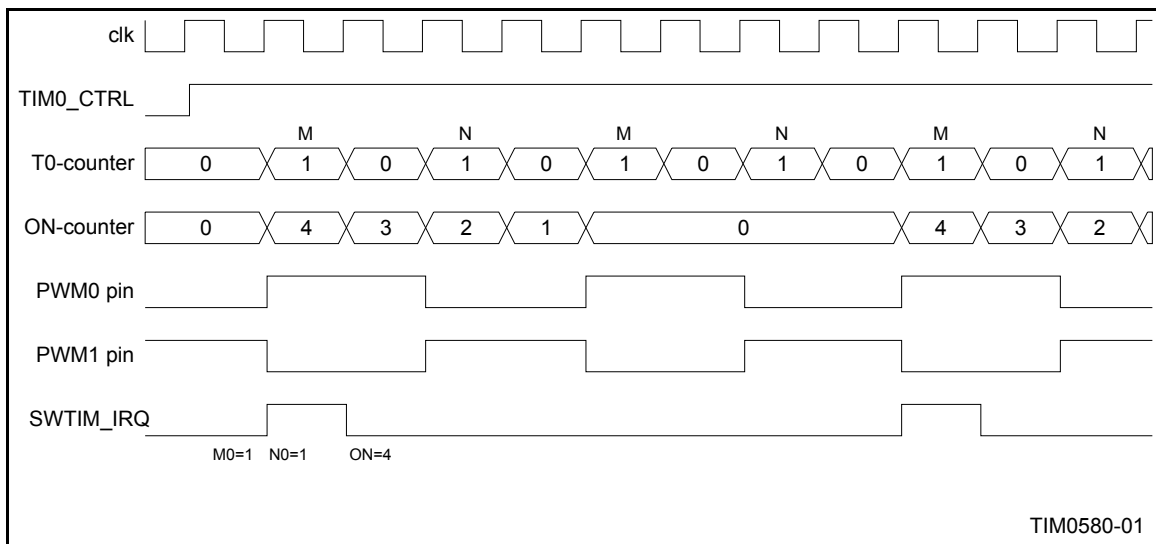
When the T0-counter reaches zero, the internal signal T0-toggle will be toggled to select the TIMER0\_RELOAD\_N\_REG whose value will be loaded in the T0-counter. Each time the T0-counter reaches zero it will alternately be reloaded with the values of the M0- and N0-shadow registers respectively. PWM0 will be high when the M0-value decrements and low when the N0-value decrements. For PWM1 the opposite is applicable since it is inverted. If bit PWM\_MODE in the TIMER0\_CTRL\_REG register is set, the PWM signals are not HIGH during the 'high time' but output a clock in that stage. The frequency is based on the clock settings defined in the CLK\_PER\_REG register (also in 32 kHz mode), but the selected clock frequency is divided by two to get a 50 % duty cycle.

If the ON-counter reaches zero it will remain zero until the T0-counter also reaches zero, while decrementing the value loaded from the

TIMER0\_RELOAD\_N\_REG register (PWM0 is low). The counter will then generate an interrupt (SWTIM\_IRQ). The ON-counter will be reloaded with the value of the TIMER0\_ON\_REG register. The T0-counter as well as the M0-shadow register will be loaded with the value of the TIMER0\_RELOAD\_M\_REG register. At the same time, the N0-shadow register will be loaded by the TIMER0\_RELOAD\_N\_REG register. Both counters will be decremented on the next clock again and the sequence will be repeated.

Note that it is possible to generate interrupts at a high rate, when selecting a high clock frequency in combination with low counter values. This could result in missed interrupt events.

During the time that the ON-counter is non-zero, new values for the ON-register, M0-register and N0-register can be written, but they are not used by the T0-counter until a full cycle is finished. More specifically, the newly written values in the TIMER0\_RELOAD\_M\_REG and TIMER0\_RELOAD\_N\_REG registers are only stored into the shadow registers when the ON-counter and the T0-counter have both reached zero and the T0-counter was decrementing the value loaded from the TIMER0\_RELOAD\_N\_REG register (see Figure 46).



**Figure 46: Timer 0 PWM Mode**

At start-up both counters and the PWM0 signal are LOW so also at start-up an interrupt is generated. If Timer 0 is disabled all flip-flops, counters and outputs are in reset state except for the ON-register, the TIMER0\_RELOAD\_N\_REG register and the TIMER0\_RELOAD\_M\_REG register.

The timer input registers ON-register, TIMER0\_RELOAD\_N\_REG and TIMER0\_RELOAD\_M\_REG can be written and the

counter registers ON-counter and T0-counter can be read. When reading from the address of the ON-register, the value of the ON-counter is returned. Reading from the address of either the TIMER0\_RELOAD\_N\_REG or the TIMER0\_RELOAD\_M\_REG register, returns the value of the T0-counter.

It is possible to freeze Timer 0 with bit FRZ\_SWTIM of the register SET\_FREEZE\_REG. When the timer is fro-

zen the timer counters are not decremented. This will freeze all the timer registers at their last value. The timer will continue its operation again when bit FRZ\_SWTIM is cleared via register RESET\_FREEZE\_REG.

## 18.2 TIMER 2

Timer 2 has three Pulse Width Modulated (PWM) outputs. The block diagram is shown in Figure 47.

### Features

- 14-bit general purpose timer
- Ability to generate 3 Pulse Width Modulated signals (PWM2, PWM3 and PWM4)

- Input clock frequency:

$$f_{IN} = \frac{\text{sys\_clk}}{N} \text{ with } N = 1, 2, 4 \text{ or } 8$$

and sys\_clk = 16 MHz or 32 kHz

- Programmable output frequency:

$$f_{OUT} = \left(\frac{f_{IN}}{2}\right) \text{ to } \left(\frac{f_{IN}}{2^{14}-1}\right)$$

- Three outputs with programmable duty cycle from 0 % to 100 %
- Used for white LED intensity (on/off) control

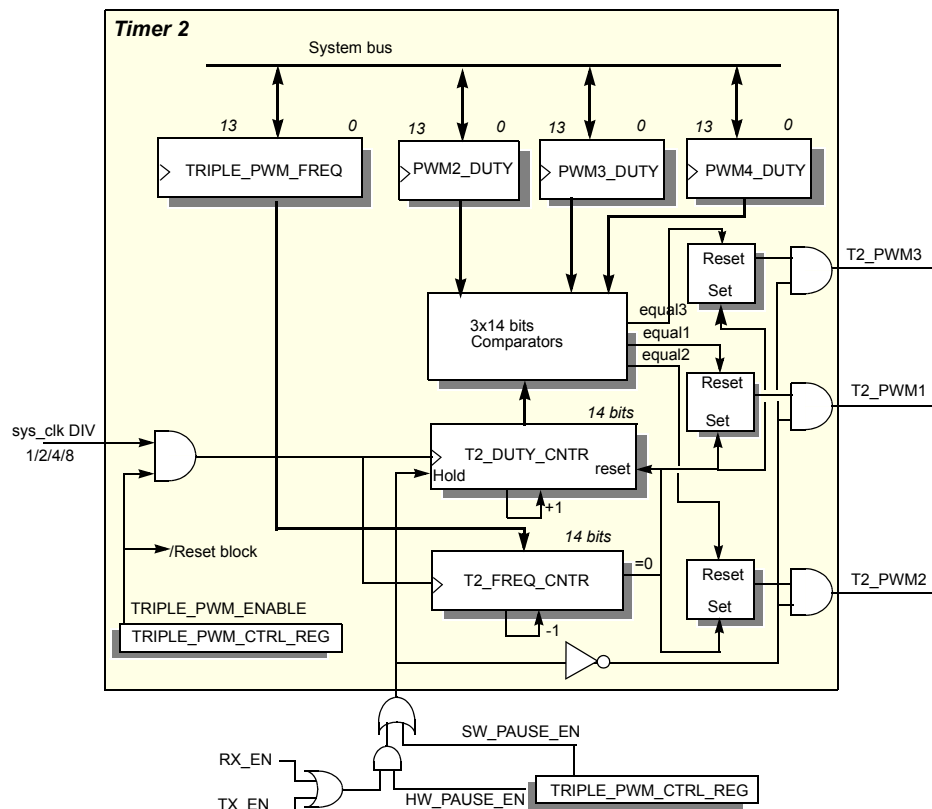


Figure 47: Timer 2 PWM Block Diagram

The Timer 2 is clocked with the system clock divided by TMR\_DIV (1, 2, 4 or 8) and can be enabled with TRIPLE\_PWM\_CTRL\_REG[TRIPLE\_PWM\_ENABLE].

T2\_FREQ\_CNTR determines the output frequency of the T2\_PWMn output. This counter counts down from the value stored in register TRIPLE\_PWM\_FREQUENCY. At counter value 0, T2\_FREQ\_CNTR sets the T2\_PWMn output to '1' and the counter is reloaded again.

T2\_DUTY\_CNTR is an up-counter that determines the

duty cycle of the T2\_PWMn output signal. After the block is enabled, the counter starts from 0. If T2\_DUTY\_CNTR is equal to the value stored in the respective PWMn\_DUTY\_CYCLE register, this resets the T2\_PWMn output to 0. T2\_DUTY\_CNTR is reset when TRIPLE\_PWM\_FREQUENCY is 0.

Note that the value of PWMn\_DUTY\_CYCLE must be less or equal than TRIPLE\_PWM\_FREQUENCY.

The Timer 2 is enabled/disabled by programming the TRIPLE\_PWM\_CTRL\_REG[TRIPLE\_PWM\_EN] bit.

The timing diagram of Timer 2 is shown in Figure 48.

**Freeze Function**

During RF activity it may be desirable to temporarily suppress the PWM switching noise. This can be done by setting `TRIPLE_PWM_CTRL_REG[HW_PAUSE_EN] = 1`. The effect is that whenever there is a transmission or a reception process from the Radio, `T2_DUTY_CNTR` is frozen and `T2_PWMx` output is switched to '0' to disable the selected `T2_PWM1`, `T2_PWM2`, `T2_PWM3`. As soon as the Radio is idle (i.e. `RX_EN` or `TX_EN` sig-

nals are zero), `T2_DUTY_CNTR` resumes counting and finalizes the remaining part of the PWM duty cycle.

`TRIPLE_PWM_CTRL_REG[SW_PAUSE_EN]` can be set to '0' to disable the automatic, hardware driven freeze function of the duty counter and keep the duty cycle constant.

Note that the `RX_EN` and `TX_EN` signals are not software driven but controlled by the BLE core hardware.

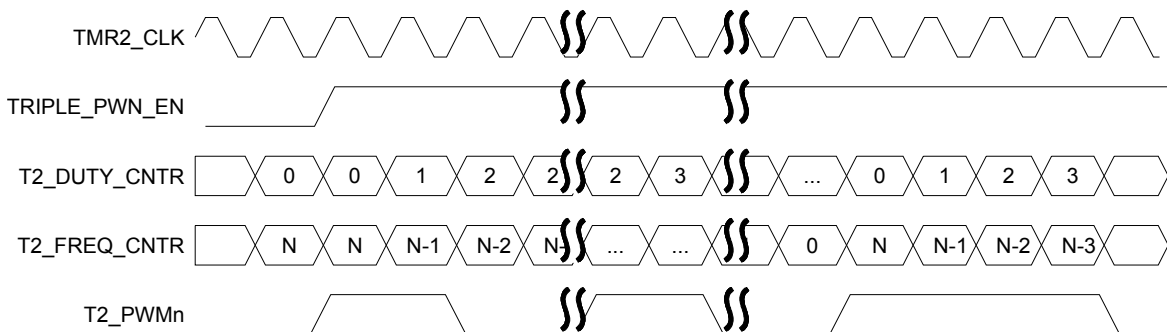


Figure 48: Timer 2 PWM Timing Diagram

## 19 Watchdog Timer

The Watchdog timer is an 8-bit timer with sign bit that can be used to detect an unexpected execution sequence caused by a software run-away and can generate a full system reset or a Non-Maskable Interrupt (NMI).

### Features

- 8 bits down counter with sign bit, clocked with a 10.24 ms clock for a maximum 2.6 s time-out.

- Non-Maskable Interrupt (NMI) or WDOG reset.
- Optional automatic WDOG reset if NMI handler fails to update the Watchdog register.
- Non-maskable Watchdog freeze of the Cortex-M0 Debug module when the Cortex-M0 is halted in Debug state.
- Maskable Watchdog freeze by user program.

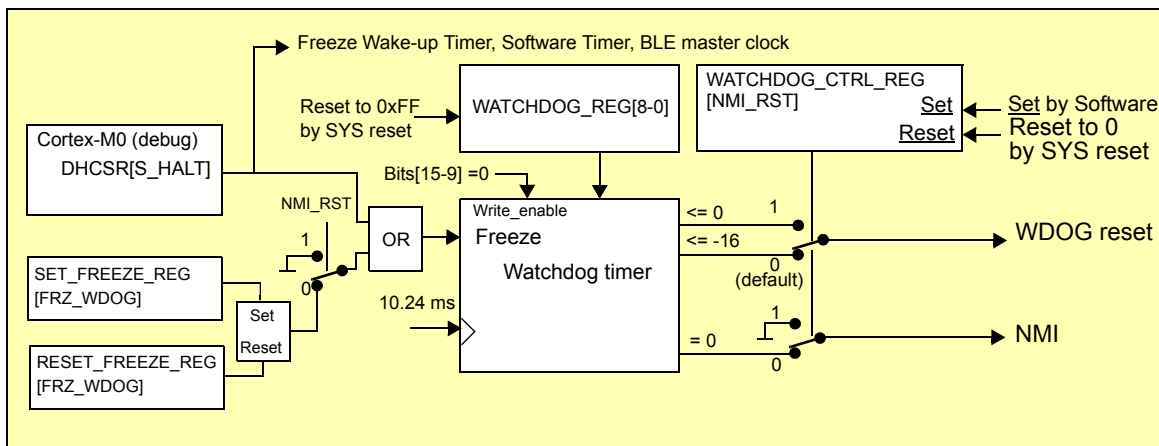


Figure 49: Watchdog Timer Block Diagram

The 8 bits watchdog timer is decremented by 1 every 10.24 ms. The timer value can be accessed through the WATCHDOG\_REG register which is set to 255 ( $FF_{16}$ ) at reset. This results in a maximum watchdog time-out of ~2.6 s. During write access the WATCHDOG\_REG[WDOG\_WEN] bits must be 0. This provides extra filtering for a software run-away writing all ones to the WATCHDOG\_REG. If the watchdog counter reaches 0, the counter value will get a negative value by setting bit 8. The counter sequence becomes 1, 0,  $1FF_{16}$  (-1),  $1FE_{16}$  (-2), ...  $1F0_{16}$  (-16).

If WATCHDOG\_CTRL\_REG[NMI\_RST] = 0, the watchdog timer will generate an NMI if the watchdog timer reaches 0 and a WDOG reset if the counter becomes less or equal to -16 ( $1F0_{16}$ ). The NMI handler must write any value > -16 to the WATCHDOG\_REG to prevent the generation of a WDOG reset at counter value -16 after  $16 * 10.24 = 163.8$  ms.

If WATCHDOG\_CTRL\_REG[NMI\_RST] = 1, the watchdog timer generates a WDOG reset if the timer becomes less or equal than 0.

The WDOG reset is one of the SYS (system) reset sources and resets the whole device, including setting the WATCHDOG\_REG register to 255, except for the RST pin, the Power On reset, the HW reset and the DBG (debug module) reset. Since the HW reset is not triggered, the SYS\_CTRL\_REG[REMAP\_ADR0] bits will retain their value and the Cortex-M0 will start executing again from the current selected memory at

address zero. Refer to the “POR/Reset” chapter for an overview of the complete reset circuit and conditions.

For debugging purposes, the Cortex-M0 Debug module can always freeze the watchdog by setting the DHCSR[DBGKEY | C\_HALT | C\_DEBUGEN] control bits (reflected by the status bit S\_HALT). This is automatically done by the debug tool, e.g. during step-by-step debugging. Note that this bit also freezes the Wake-up Timer, the Software Timer and the BLE master clock. For additional information also see the DEBUG\_REG[DEBUGS\_FREEZE\_EN] mask register. The C\_DEBUGEN bit is not accessible by the user software to prevent freezing the watchdog.

In addition to the S\_HALT bit, the watchdog timer can also be frozen if NMI\_RST=0 and SET\_FREEZE\_REG [FRZ\_WDOG] is set to ‘1’. The watchdog timer resumes counting when RESET\_FREEZE\_REG[FRZ\_WDOG] is set to ‘1’. The WATCHDOG\_CTRL\_REG[NMI\_RST] bit can only be set by software and will only be reset on a SYS reset. Note that if the system is not remapped, i.e. SysRAM is at address 0x20000000, then a watchdog fire will trigger the BootROM code to be executed again.

## 20 Keyboard Controller

The Keyboard controller can be used for debouncing the incoming GPIO signals when implementing a keyboard scanning engine. It generates an interrupt to the CPU (KEYBR\_IRQ).

In parallel, five extra interrupt lines can be triggered by a state change on 32 selectable GPIOs (GPIOx\_IRQ).

The block diagram of the Keyboard controller is presented in the [Figure 50](#).

### Features

- Monitors any of the 32 available GPIOs (12 in the WLCSP package, 22 in the QFN40 and 32 in the QFN48)
- Generates a keyboard interrupt on key press or key release
- Implements debouncing time from 0 up to 63 ms
- Supports five separate interrupt generation lines from GPIO toggling .

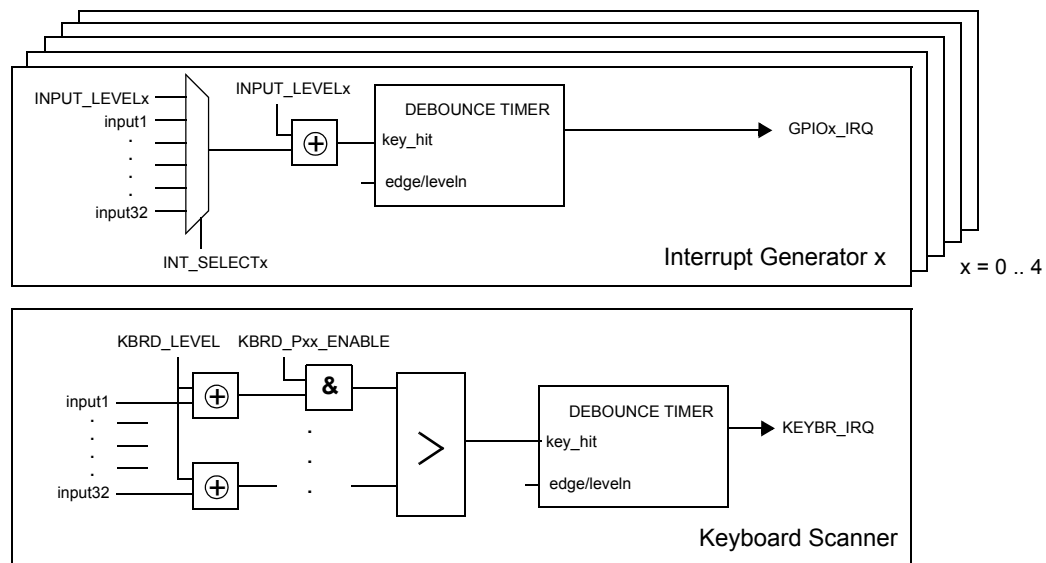


Figure 50: Keyboard Controller Block Diagram

### 20.1 KEYBOARD SCANNER

A HIGH-to-LOW transition on one of the port inputs, while  $\text{KBRD\_IRQ\_IN\_SEL0\_REG}[\text{KBRD\_LEVEL}] = 0$  and  $\text{KBRD\_IRQ\_IN\_SELx\_REG}[\text{KBRD\_Pyy\_EN}] = 1$  sets internal signal “key\_hit” to 1. This signal triggers the keyboard interface state machine as shown in [Figure 51](#). The debounce timer is loaded with value  $\text{GPIO\_DEBOUNCE\_REG}[\text{DEB\_VALUE}]$ . The timer counts down every 1 ms. When the timer reaches 0 and the “key\_hit” signal is still ‘1’, the timer is loaded with  $\text{KBRD\_IRQ\_IN\_SEL0\_REG}[\text{KEY\_REPEAT}]$ , generating a repeating sequence of interrupts every time the timer reaches 0.

When the key is released ( $\text{key\_hit} = 0$ ) and bit  $\text{KBRD\_REL}$  (key release) is set to ‘1’, a new debounce sequence is started and a  $\text{KEYBR\_IRQ}$  interrupt is generated after the debounce time.

The debounce timer can be disabled with  $\text{GPIO\_DEBOUNCE\_REG}[\text{DEB\_ENABLE\_KBRD}] = 0$ . The key repeat function can be disabled by setting  $\text{KEY\_REPEAT}$  to ‘0’.

The level for generating an interrupt is programmable via bit  $\text{KBRD\_IRQ\_IN\_SEL0\_REG}[\text{KBRD\_LEVEL}]$ . The key release function can be disabled by setting bit

$\text{KBRD\_IRQ\_IN\_SEL0\_REG}[\text{KBRD\_REL}]$  to ‘0’. The inputs for the keyboard interface can be selected by setting the corresponding bits  $\text{KBRD\_IRQ\_IN\_SEL0\_REG}[\text{KBRD\_Pxx\_EN}]$  to ‘1’.

The keyboard interrupt service routine can distinguish which input has caused the interrupt by reading the  $\text{Px\_DATA\_REG}$  registers.

### 20.2 GPIO INTERRUPT GENERATOR

Five identical GPIO interrupt generators support the generation of up to five interrupts ( $\text{GPIO0\_IRQ}$  to  $\text{GPIO\_4\_IRQ}$ ). One of the GPIO inputs can be selected to generate an interrupt by programming the corresponding  $\text{GPIO\_IRQx\_IN\_SEL\_REG}$  register. The input level can be selected by  $\text{GPIO\_INT\_LEVEL\_CTRL\_REG}[\text{INPUT\_LEVELx}]$ .

A LOW-to-HIGH level transition on one of the port inputs, while bit  $\text{INPUT\_LEVELx} = 0$ , sets internal signal “key\_hit” to ‘1’. This signal triggers the GPIO Interrupt Generator state machine as shown in [Figure 51](#). The debounce timer is loaded with value  $\text{GPIO\_DEBOUNCE\_REG}[\text{DEB\_VALUE}]$ . The timer counts down every 1 ms. If the timer reaches 0 and the “key\_hit” signal is still ‘1’, an interrupt will be generated. The debounce timer for each interrupt can be disabled

with GPIO\_DEBOUNCE\_REG[DEB\_ENABLEx]. The interrupt flag will remain set until it is reset by writing to the corresponding bit in the GPIO\_RESET\_IRQ\_REG register. When the GPIO interrupt is edge sensitive, selected with bit GPIO\_INT\_LEVEL\_CTRL\_REG[EDGE\_LEVELNx], the state machine will progress to state WAIT\_FOR\_RELEASE when the interrupt is reset. It will progress to the IDLE state only after detecting the non-active edge.

For detecting both signal edges the edge polarity INPUT\_LEVELx must be inverted in the WAIT\_FOR\_RELEASE state. This will result in "key\_hit" = 0 and will advance the state machine to the Idle state, allowing detection of the next inverted edge.

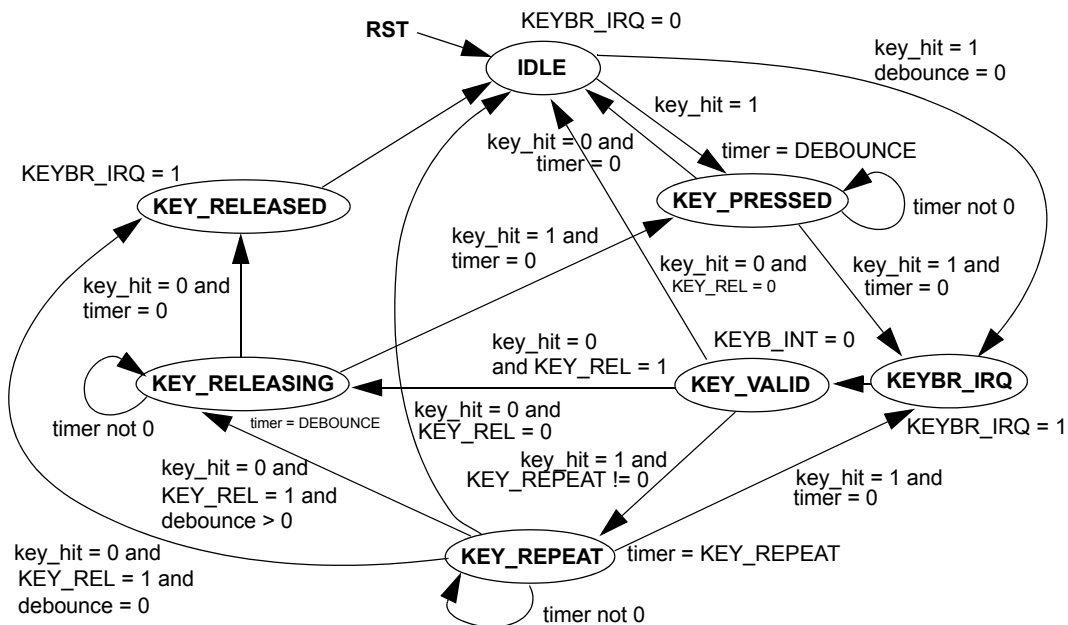


Figure 51: Keyboard Scanner State Machine

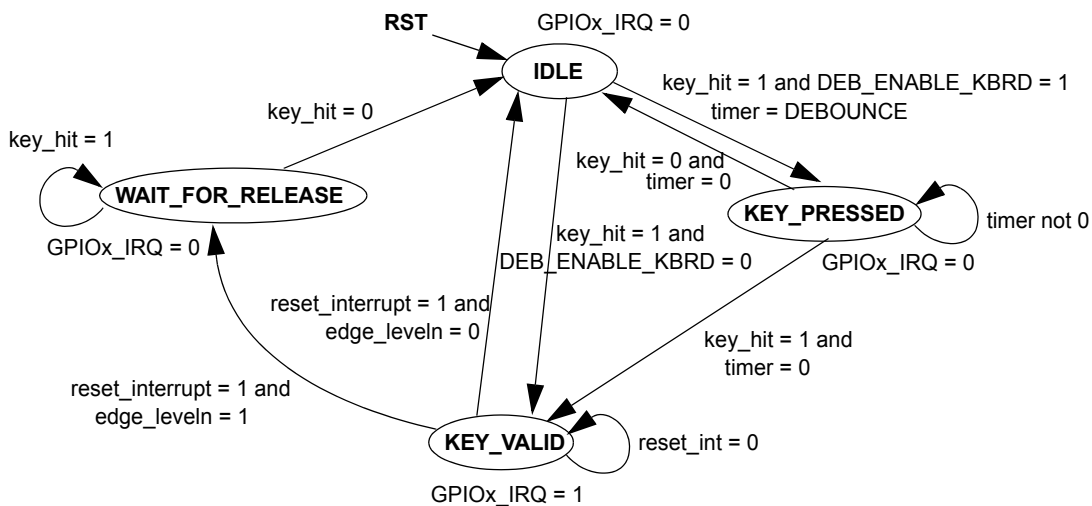


Figure 52: GPIO Interrupt Generator State Machine





### 21.2.1 Port Data Register

The registers input Px\_DATA\_REG and output Px\_DATA\_REG are mapped on the same address.

The data input register (Px\_DATA\_REG) is a read-only register that returns the current state on each port pin even if the output direction is selected, regardless of the programmed PID, unless the analog function is selected (in this case it reads 0). The ARM CPU can read this register at any time even when the pin is configured as an output.

The data output register (Px\_DATA\_REG) holds the data to be driven on the output port pins. In this configuration, writing to the register changes the output value.

### 21.2.2 Port Set Data Output Register

Writing a 1 in the set data output register (Px\_SET\_OUTPUT\_DATA\_REG) sets the corresponding output pin. Writing a 0 is ignored.

### 21.2.3 Port Reset Data Output Register

Writing a 1 in the reset data output register (Px\_RESET\_OUTPUT\_DATA\_REG) resets the corresponding output pin. Writing a 0 is ignored.

## 21.3 FIXED ASSIGNMENT FUNCTIONALITY

There are certain signals that have a fixed mapping on specific general purpose IOs. This assignment is illustrated in the following table:

**Table 21: Fixed Assignment of Specific Signals**

GPIO	SWD	QUAD DEC	ADC (Note 16)
P0_0		CHY_A/CHX_A/CHZ_A	ADC_0
P0_1		CHY_B/CHX_B/CHZ_B	ADC_1
P0_2		CHY_A/CHX_A/CHZ_A	ADC_2
P0_3		CHY_B/CHX_B/CHZ_B	ADC_3
P0_4		CHY_A/CHX_A/CHZ_A	
P0_5		CHY_B/CHX_B/CHZ_B	
P0_6		CHY_A/CHX_A/CHZ_A	
P0_7		CHY_B/CHX_B/CHZ_B	
P1_0		CHY_A/CHX_A/CHZ_A	
P1_1		CHY_B/CHX_B/CHZ_B	
P1_2		CHY_A/CHX_A/CHZ_A	
P1_3		CHY_B/CHX_B/CHZ_B	
P1_4	SW_CLK	CHY_A/CHX_A/CHZ_A	
P1_5	SWDIO	CHY_B/CHX_B/CHZ_B	
P2_0		CHY_A/CHX_A/CHZ_A	
P2_9		CHY_B/CHX_B/CHZ_B	

**Note 16:** The ADC case can be selected by the PID bit field on the respective P port. However, the mapping of the Quad Decoder signals on the respective pins, is overruled by the QDEC\_CTRL\_REG[CHx\_PORT\_SEL] register. Furthermore, the SWD signals mapping is defined by SYS\_CTRL\_REG[DEBUGGER\_ENABLE]. However, these signals are mapped on the ports by default.

## 22 General Purpose ADC

The DA14581 is equipped with a high-speed ultra low power 10-bit general purpose Analog-to-Digital Converter (GPADC). It can operate in unipolar (single ended) mode as well as in bipolar (differential) mode. The ADC has its own voltage regulator (LDO) of 1.2 V, which represents the full scale reference voltage.

### Features

- 10-bit dynamic ADC with 65 ns conversion time
- Maximum sampling rate 3.3 Msample/s

- Ultra low power (5  $\mu$ A typical supply current at 100 ksample/s)
- Single-ended as well as differential input with two input scales
- Four single-ended or two differential external input channels
- Battery monitoring function
- Chopper function
- Offset and zero scale adjust
- Common-mode input level adjust

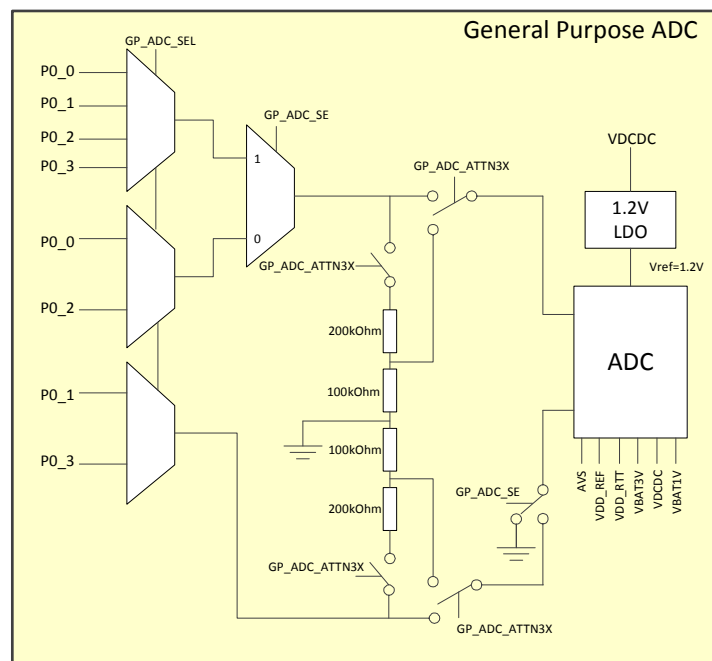


Figure 54: Block Diagram of the General Purpose ADC

### 22.1 INPUT CHANNELS AND INPUT SCALE

The DA14581 has a multiplexer between the ADC and four specific GPIO ports (P0\_0 to P0\_3). Furthermore, the ADC can also be used to monitor the battery voltage and several internal voltages of the system (see GP\_ADC\_CTRL\_REG).

Single-ended or differential operation is selected via bit GP\_ADC\_CTRL\_REG[GP\_ADC\_SE]. In differential mode the voltage difference between two GPIO input ports will be converted. Via bit GP\_ADC\_CTRL2\_REG[GP\_ADC\_ATT3X] the input scale can be enlarged by a factor of three, as summarized in Table 22.

Table 22: GPADC Input Channels and Voltage Scale

GP_ADC_ATT3X	GP_ADC_SE	Input Channels	Input Scale	Input Limits
0	1	P0_0, P0_1, P0_2, P0_3	0 V to +1.2 V	-0.1 V to +1.3 V
0	0	[P0_0, P0_1], [P0_2, P0_3]	-1.2 V to +1.2 V	-1.3 V to +1.3 V
1	1	P0_0, P0_1, P0_2, P0_3	0 V to +3.6 V	-0.1 V to +3.45 V
1	0	[P0_0, P0_1], [P0_2, P0_3]	-3.6 V to +3.6 V	-3.45 V to +3.45 V

### 22.2 STARTING THE ADC AND SAMPLING RATE

The GPADC is a dynamic ADC and consumes no static

power, except for the LDO which consumes less than 5  $\mu$ A.

Enabling/disabling of the ADC is triggered by configuring bit GP\_ADC\_CTRL\_REG[GP\_ADC\_LDO\_EN]. After enabling the LDO, a settling time of 20  $\mu$ s is required before an AD-conversion can be started.

Each conversion has two phases: the sampling phase and the conversion phase. When bit GP\_ADC\_CTRL\_REG[GP\_ADC\_EN] is set to '1', the ADC continuously tracks (samples) the selected input voltage. Writing a '1' at bit GP\_ADC\_CTRL\_REG[GP\_ADC\_START] ends the sampling phase and triggers the conversion phase. When the conversion is ready, the ADC resets bit GP\_ADC\_START to '0' and returns to the sampling phase.

The conversion itself is fast and takes approximately one clock cycle of 16 MHz, though the data handling will require several additional clock cycles, depending on the software code style. The fastest code can handle the data in four clock cycles of 16 MHz, resulting to a highest sampling rate of  $16 \text{ MHz}/5 = 3.3 \text{ Msample/s}$ .

At full speed the ADC consumes approximately 50  $\mu$ A. If the data rate is less than 100 ksample/s, the current consumption will be in the range of 5  $\mu$ A.

### 22.3 NON-IDEAL EFFECTS

Besides Differential Non-Linearity (DNL) and Integral Non-Linearity (INL), each ADC has a gain error (linear) and an offset error (linear). The gain error of the GPADC slightly reduces the effective input scale (up to 50 mV). The offset error causes the effective input scale to become non-centred. The offset error of the GPADC is less than 20 mV and can be reduced by chopping or by offset calibration.

The ADC result will also include some noise. If the input signal itself is noise free (inductive effects included), the average noise level will be  $\pm 1 \text{ LSB}$ . Taking more samples and calculating the average value will reduce the noise and increase the resolution.

With a 'perfect' input signal (e.g. if a filter capacitor is placed close to the input pin) most of the noise comes from the low-power voltage regulator (LDO) of the ADC. Since the DA14581 is targeted for ultra-compact applications, there is no pin available to add a capacitor at this voltage regulator output.

The dynamic current of the ADC causes extra noise at the regulator output. This noise can be reduced by setting bits GP\_ADC\_CTRL2\_REG[GP\_ADC\_I20U] and GP\_ADC\_CTRL2\_REG[GP\_ADC\_IDYN] to '1'. Bit GP\_ADC\_I20U enables a constant 20  $\mu$ A load current at the regulator output so that the current will not drop

to zero. Bit GP\_ADC\_IDYN enables a 10  $\mu$ A load current during sampling phase so that the load current during sampling and conversion phase becomes approximately the same.

### 22.4 CHOPPING

Chopping is a technique to cancel offset by taking two samples with opposite signal polarity. This method also smooths out other non-ideal effects and is recommended for DC and slowly changing signals.

Chopping is enabled by setting bit GP\_ADC\_CTRL\_REG[GP\_ADC\_CHOP] to '1'.

The mid-scale value of the ADC is the 'natural' zero point of the ADC (ADC result = 511.5 = 1FF or 200 Hex = 01.1111.1111 or 10.0000.0000 Bin). Ideally this corresponds to  $V_i = 1.2 \text{ V}/2 = 0.6 \text{ V}$  in single-ended mode and  $V_i = 0.0 \text{ V}$  in differential mode.

If bit GP\_ADC\_CTRL2\_REG[GP\_ADC\_ATT3X] is set to '1', the zero point is 3 times higher (1.8 V single-ended and 0.0 V differential).

With bit GP\_ADC\_CTRL\_REG[GP\_ADC\_MUTE], the ADC input is switched to the centre scale input level, so the ADC result ideally is 511.5. If instead a value of 515 is observed, the output offset is +3.5 (adc\_off\_p = 3.5).

With bit GP\_ADC\_CTRL\_REG[GP\_ADC\_SIGN] the sign of the ADC input and output is changed. Two sign changes have no effect on the signal path, though the sign of the ADC offset will change.

If adc\_off\_p = 3.5 the ADC\_result with opposite GP\_ADC\_SIGN will be 508. The sum of these equals  $515 + 508 = 1023$ . This is the mid-scale value of an 11-bit ADC, so one extra bit due to the over-sampling by a factor of two.

The LSB of this 11-bit word should be ignored if a 10-bit word is preferred. In that case the result is 511.5, so the actual output value will be 511 or 512.

### 22.5 OFFSET CALIBRATION

A relative high offset caused by a very small dynamic comparator (up to 20 mV, so approximately 20 LSB).

This offset can be cancelled with the chopping function, but it still causes unwanted saturation effects at zero scale or full scale. With the GP\_ADC\_OFFP and GP\_ADC\_OFFN registers the offset can be compensated in the ADC network itself.

To calibrate the ADC follow the steps in [Table 23](#).

**Table 23: GPADC Calibration Procedure for Single-ended and Differential Modes**

Step	Single-Ended Mode (GP_ADC_SE = 1)	Differential Mode (GP_ADC_SE = 0)
1	Set GP_ADC_OFFP = GP_ADC_OFFN = 0x200; GP_ADC_MUTE = 0x1; GP_ADC_SIGN = 0x0	Set GP_ADC_OFFP = GP_ADC_OFFN = 0x200; GP_ADC_MUTE = 0x1; GP_ADC_SIGN = 0x0
2	Start conversion	Start conversion
3	adc_off_p = GP_ADC_RESULT - 0x200	adc_off_p = GP_ADC_RESULT - 0x200

Table 23: GPADC Calibration Procedure for Single-ended and Differential Modes

Step	Single-Ended Mode (GP_ADC_SE = 1)	Differential Mode (GP_ADC_SE = 0)
4	Set GP_ADC_SIGN = 0x1	Set GP_ADC_SIGN = 0x1
5	Start conversion	Start conversion
6	adc_off_n = GP_ADC_RESULT - 0x200	adc_off_n = GP_ADC_RESULT - 0x200
7	GP_ADC_OFFP = 0x200 - 2*adc_off_p GP_ADC_OFFN = 0x200 - 2*adc_off_n	GP_ADC_OFFP = 0x200 - adc_off_p GP_ADC_OFFN = 0x200 - adc_off_n

**Note:** The average of GP\_ADC\_OFFP and GP\_ADC\_OFFN should be 0x200 (with a margin of 20 LSB).

It is recommended to implement the above calibration routine during the initialization phase of the DA14581. To verify the calibration results, check whether the GP\_ADC\_RESULT value is close to 0x200 while bit GP\_ADC\_MUTE = 1.

### 22.6 ZERO-SCALE ADJUSTMENT

The GP\_ADC\_OFFP and GP\_ADC\_OFFN registers can also be used to set the zero-scale or full-scale input level at a certain target value. For instance, they can be used to calibrate GP\_ADC\_RESULT to 0x000 at an input voltage of exactly 0.0 V, or to calibrate the zero scale of a sensor.

### 22.7 COMMON MODE ADJUSTMENT

The common mode level of the differential signal must be 0.6 V (or 1.8 V with GP\_ADC\_ATTN3X = 1). If the common mode input level of 0.6 V cannot be achieved, the common mode level of the GP\_ADC can be adjusted (the GP\_ADC can tolerate a common mode margin up to 50 mV) according to Table 24.

Table 24: Common Mode Adjustment

CM Voltage (V <sub>cmm</sub> )	GP_ADC_OFFP = GP_ADC_OFFN
0.3 V	0x300
0.6 V	0x200
0.9 V	0x100

Any other common mode level between 0.0 V and 1.2 V can be calculated from the table above. Offset calibration can be combined with common mode adjustment by replacing the 0x200 value in the offset calibration routine by the value required to get the appropriate common mode level.

**Note:** The input voltage limits for the ADC in differential mode are: -1.3 V to +1.3 V (for GP\_ADC\_ATTN3X = 0, see Table 22). The differential input range of the ADC is:  $-1.2 \text{ V} < V[\text{P0}_0, \text{P0}_1] < +1.2 \text{ V}$ . Therefore, if  $V_{\text{cmm}} < 0.5 \text{ V}$  or  $V_{\text{cmm}} > 0.7 \text{ V}$ , the input can no longer cover the whole ADC range.

### 22.8 INPUT IMPEDANCE, INDUCTANCE AND INPUT SETTLING

The GPADC has no input buffer stage. During sampling phase a capacitor of 0.2 pF is switched to the input line. The precharge of this capacitor is at mid-

scale level so the input impedance is infinite.

At 100 ksample/s, zero or full-scale single-ended input signal, this sampling capacitor will load the input with:  
 $I_{\text{LOAD}} = V * C * f_{\text{S}} = \pm 0.6 \text{ V} * 0.2 \text{ pF} * 100 \text{ kHz} = \pm 12 \text{ nA}$   
 (differential:  $\pm 1.2 \text{ V} * 0.2 \text{ pF} * 100 \text{ kHz} = \pm 24 \text{ nA}$  at both pins).

During sampling phase a certain settling time is required. A 10-bit accuracy requires at least 7 time constants of the output impedance of the input signal source and the 0.2 pF sampling capacitor. The conversion time is approximately one clock cycle of 16 MHz (62.5 ns).

$$7 * R_{\text{OUT}} * 0.2 \text{ pF} - 62.5 \text{ ns} < 1/f_{\text{S}}$$

$$\Rightarrow R_{\text{OUT}} < (1 + 62.5 \text{ ns} * f_{\text{S}}) / (7 * 0.2 \text{ pF} * f_{\text{S}})$$

Examples:

$$R_{\text{OUT}} < 7.2 \text{ M}\Omega \text{ at } f_{\text{S}} = 100 \text{ kHz}$$

$$R_{\text{OUT}} < 760 \text{ k}\Omega \text{ at } f_{\text{S}} = 1 \text{ MHz}$$

The inductance from the signal source to the ADC input pin must be very small. Otherwise, filter capacitors are required from the input pins to ground (differential mode: from pin to pin).

To observe the noise level of the ADC and the voltage regulator, bit GP\_ADC\_CTRL\_REG[GP\_ADC\_MUTE] must be set to '1'. The noise should be less than  $\pm 1$  LSB on average, with occasionally a  $\pm 2$  LSB peak value. If a higher noise level is observed on the input channel(s), applying filter capacitor(s) will reduce the noise.

The 3x input attenuator is realized with a resistor divider network. When bit GP\_ADC\_CTRL\_REG2[GP\_ADC\_ATTN3X] is set to '1', the input impedance of the selected ADC input channel becomes 300 k $\Omega$  (typical) instead of infinite. In addition, the resistor divider network will require more settling time in the sampling phase. The general guideline with bit GP\_ADC\_ATTN3X = 1 is: select the input channel, then wait 1  $\mu\text{s}$  (16 clock cycles) before starting the conversion. Only the required sampling time is affected by the attenuator, the conversion time remains approximately one clock cycle of 16 MHz (62.5 ns).

**Note:** Selecting the battery measurement channel automatically activates the 3x input attenuator (bit GP\_ADC\_ATTN3X = 1). Therefore the 1  $\mu\text{s}$  waiting time also applies when measuring the battery voltage, otherwise the resulting Vbat level will be too low.

### 22.9 DELAY COUNTER

The GPADC has a delay counter that can be used to add delays to several ADC control signals. A delay of up to 32  $\mu$ s can be added for the bits GP\_ADC\_LDO\_EN, GP\_ADC\_START and GP\_ADC\_EN via registers GP\_ADC\_DELAY\_REG and GP\_ADC\_DELAY2\_REG.

The reset values of these two registers are the recommended values for a correct start-up, since it is not allowed to activate all signals at once.

To make use of the delay counter for a certain signal, the corresponding bit has to be set in register GP\_ADC\_CTRL\_REG and the delay counter must be enabled via bit GP\_ADC\_DELAY\_EN in register GP\_ADC\_CTRL2\_REG. The delay counter starts counting when the GP\_ADC\_START bit is programmed while the GP\_ADC\_DELAY\_EN bit is set. The counter is stopped after the conversion is finished.

The delay counter must be reset before reuse, which is typically only required after the LDO was disabled. Bit GP\_ADC\_DELAY\_EN must be made zero to reset the counter. It is recommended to check that this bit is zero before (re)activating it.

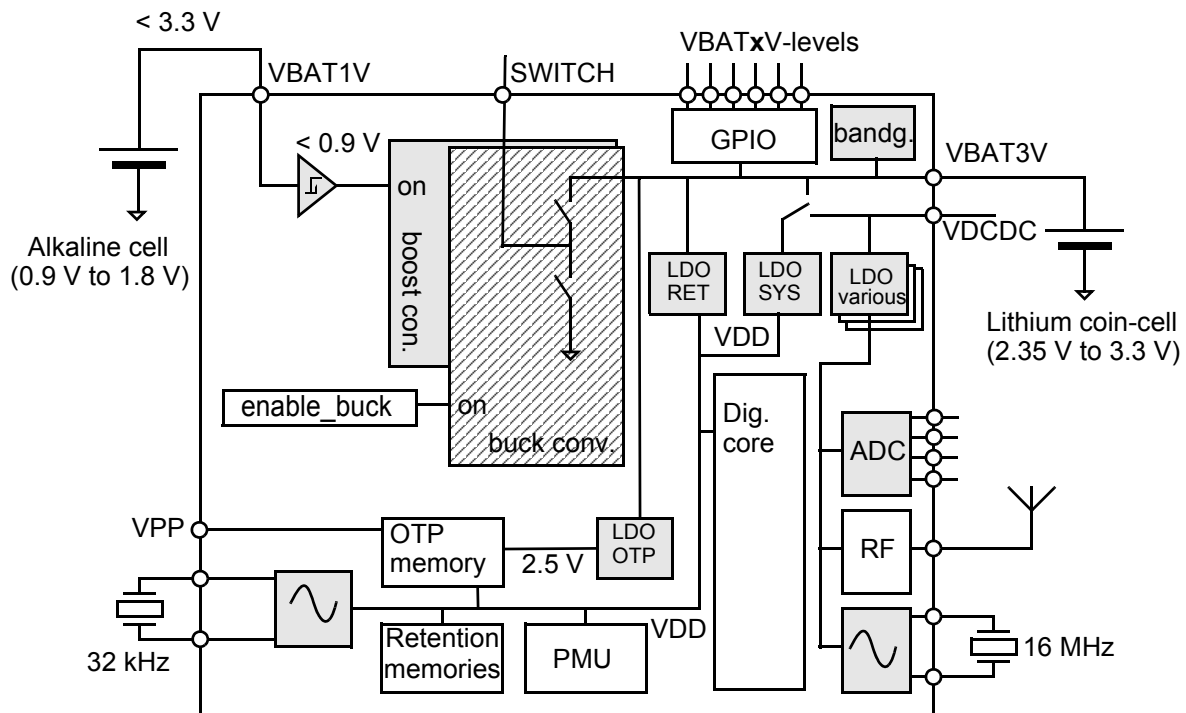


## 23 Power Management

The DA14581 has a complete power management function integrated with Buck or Boost DC-DC converter and separate LDOs for the different power domains of the system. The system diagram of the analog power block is presented in [Figure 55](#).

### Features

- On-chip LDOs, without external capacitors
- Synchronous DC-DC converter which can be configured as either:
  - Boost (step-up) converter, starting from 0.9 V, when running from an Alkaline/NiMH cell.
  - Buck (step-down) converter for increased efficiency when running from a Lithium coin-cell or 2 Alkaline batteries down to 2.35 V.
- Battery voltage measurement ADC (multiplexed input from general purpose ADC)
- Use of small external components (2.2  $\mu$ H inductor and 1  $\mu$ F capacitor)



**Figure 55: Block Diagram of the Analog Power Block and Internal Interconnections**

The Power Block contains a DC-DC converter which can be configured to operate as a Step-Up or a Step-Down converter. The converter provides power to four LDO groups in the system:

1. LDO RET: This is the LDO providing power to the Retention domain (PD\_AON). It powers the Retention RAMs and the digital part which is always on.
2. LDO OTP: This is the LDO powering the OTP macro cell. This is the reason for using the step-up DC-DC converter when running from an Alkaline battery.
3. LDO SYS: This is the LDO providing the system with the actual VDD power required for the digital part to operate. Note that the Power Block implements seamless switching from the LDO SYS to the LDO RET when the system enters Deep Sleep mode. In the latter case, a low voltage is applied to the PD\_AON power domain to further reduce leakage.

4. LDO (various): This is a group of LDOs used for the elaborate control of the powering up/down of the Radio, the GP ADC and the XTAL16M oscillator.

There are two ways of connecting external batteries to the Power Block of the DA14581. They depend on the specific battery cell used and its voltage range. Battery cells are distinguished into Lithium coin cells (2.35 V to 3.3 V) and Alkaline cells (1.0 V to 1.8 V). The connection diagrams are presented in [Figure 57](#) and [Figure 56](#) respectively:



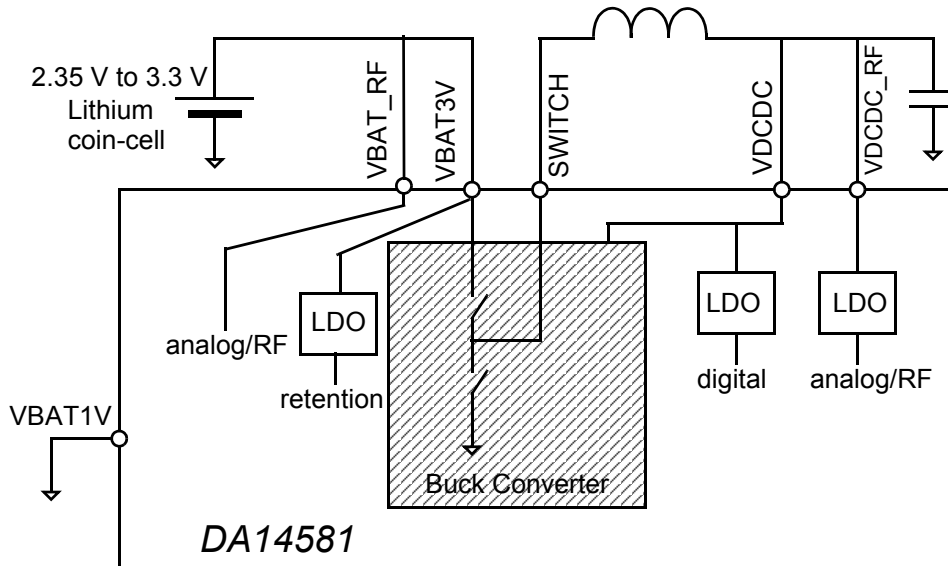


Figure 56: Supply Overview, Coin-Cell Application

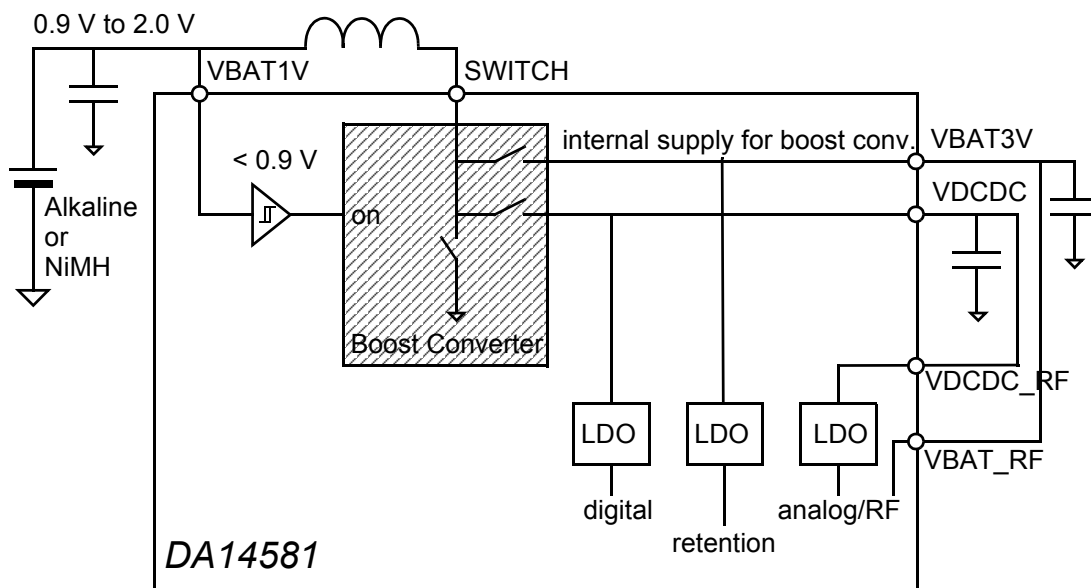
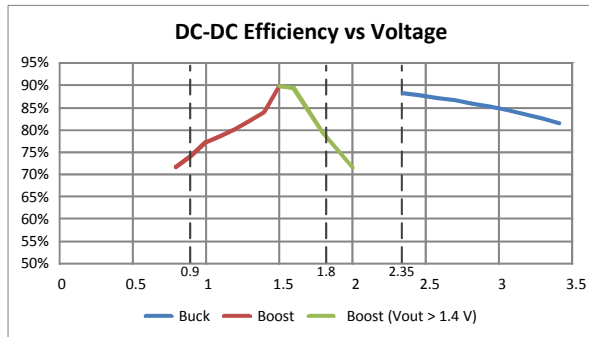


Figure 57: Supply Overview, Alkaline-Cell Application

The usage of Boost or Buck mode with respect to the provided voltage ranges is illustrated in the following figure which also illustrates the efficiency of the engine assuming a 10 mA constant load.



**Figure 58: DC-DC Efficiency in Buck/Boost Mode at Various Voltage Levels**

The X axis represents the supply voltage. BOOST mode should be used when voltage ranges from 0.9 V to 2.0 V to sustain a decent efficiency over 70 %. From that point on, the power dissipation becomes quite large.

BUCK mode can operate correctly with voltages in the range of 2.35 V to 3.3 V.

There are two voltage areas in [Figure 58](#) designated by dashed lines. The first one (0 V to 0.9 V) indicates that the DA14581 is not operational when the voltage is below 0.9 V. This is the absolute threshold for the DC-DC converter Boost mode.

The second area (1.8 V to 2.35 V) indicates that Deep Sleep mode is not allowed when the DC-DC converter is configured in BUCK mode and the voltage is within this range, because the OTP will not be readable any more. However, this part of the voltage range can be covered by the BOOST mode. Furthermore, when BUCK mode is mandatory, Extended Sleep mode can be activated instead of Deep Sleep mode, thus not using the OTP for the code mirroring but retain the code in SysRAM.

**Note:** The system should never be cold booted when the supply voltage is less than 2.5 V. A manual power up with a power supply less than 2.5 V in buck mode might create instability.

## 24 BLE Core

The BLE (Bluetooth low energy) core is a qualified Bluetooth baseband controller compatible with the Bluetooth low energy 4.2 specification and it is in charge of packet encoding/decoding and frame scheduling.

The block diagram is presented in [Figure 59](#).

### Features

- All device classes support (Broadcaster, Central, Observer, Peripheral)
- All packet types (Advertising / Data / Control)
- Encryption (AES / CCM)
- Bit stream processing (CRC, Whitening)
- FDMA/TDMA/events formatting and synchronization
- Frequency hopping calculation
- Operating clock 16 MHz or 8 MHz
- Low power modes supporting 32.0 kHz or 32.768 kHz
- Supports power down of the baseband during the protocol's idle periods
- AHB Slave interface for register file access
- AHB Slave interface for Exchange Memory access of CPU via BLE core
- AHB Master interface for direct access of BLE core to Exchange Memory space

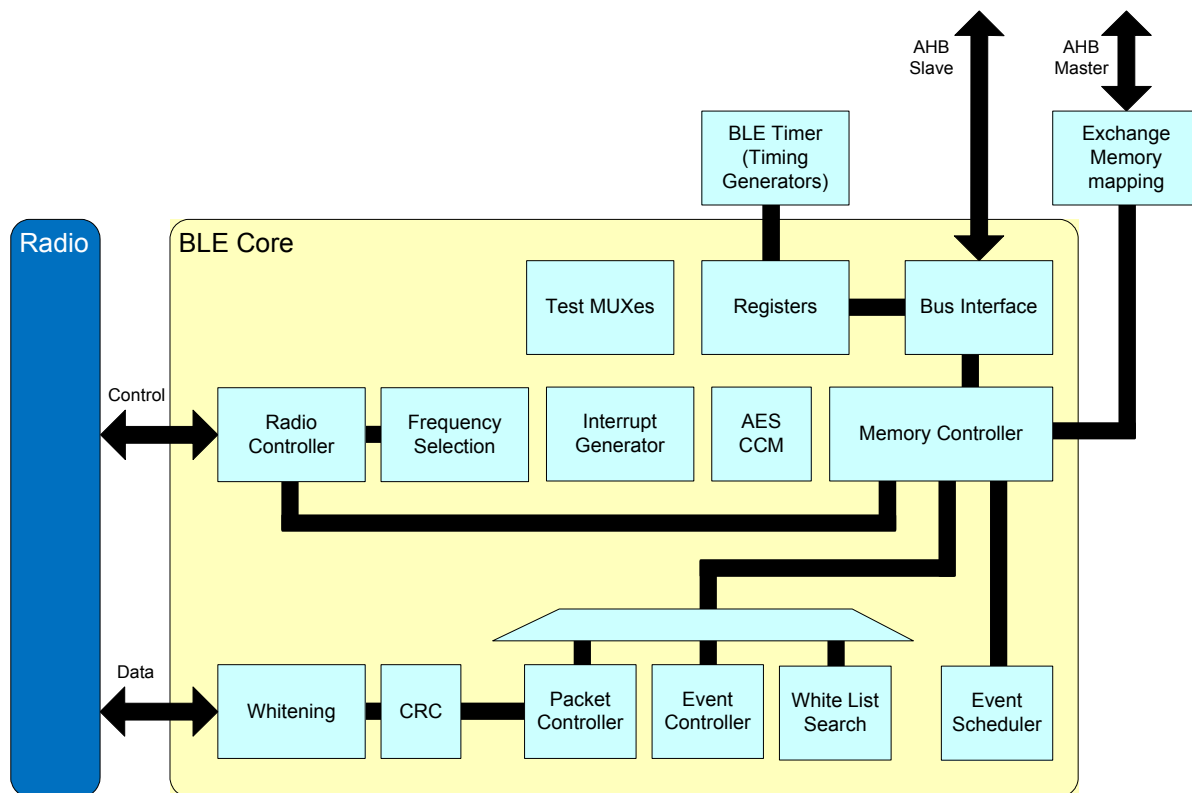


Figure 59: BLE Core Block Diagram

### 24.1 EXCHANGE MEMORY

The BLE Core requires access to a memory space named “Exchange Memory” to store control structures and frame buffers. The access to Exchange Memory is performed via the AHB Master interface. The mapping of the BLE Core address space to the System Bus address space is controlled via the register bit field `GP_CONTROL_REG[EM_MAP]`. [Figure 60](#) illustrates all the address mapping options.

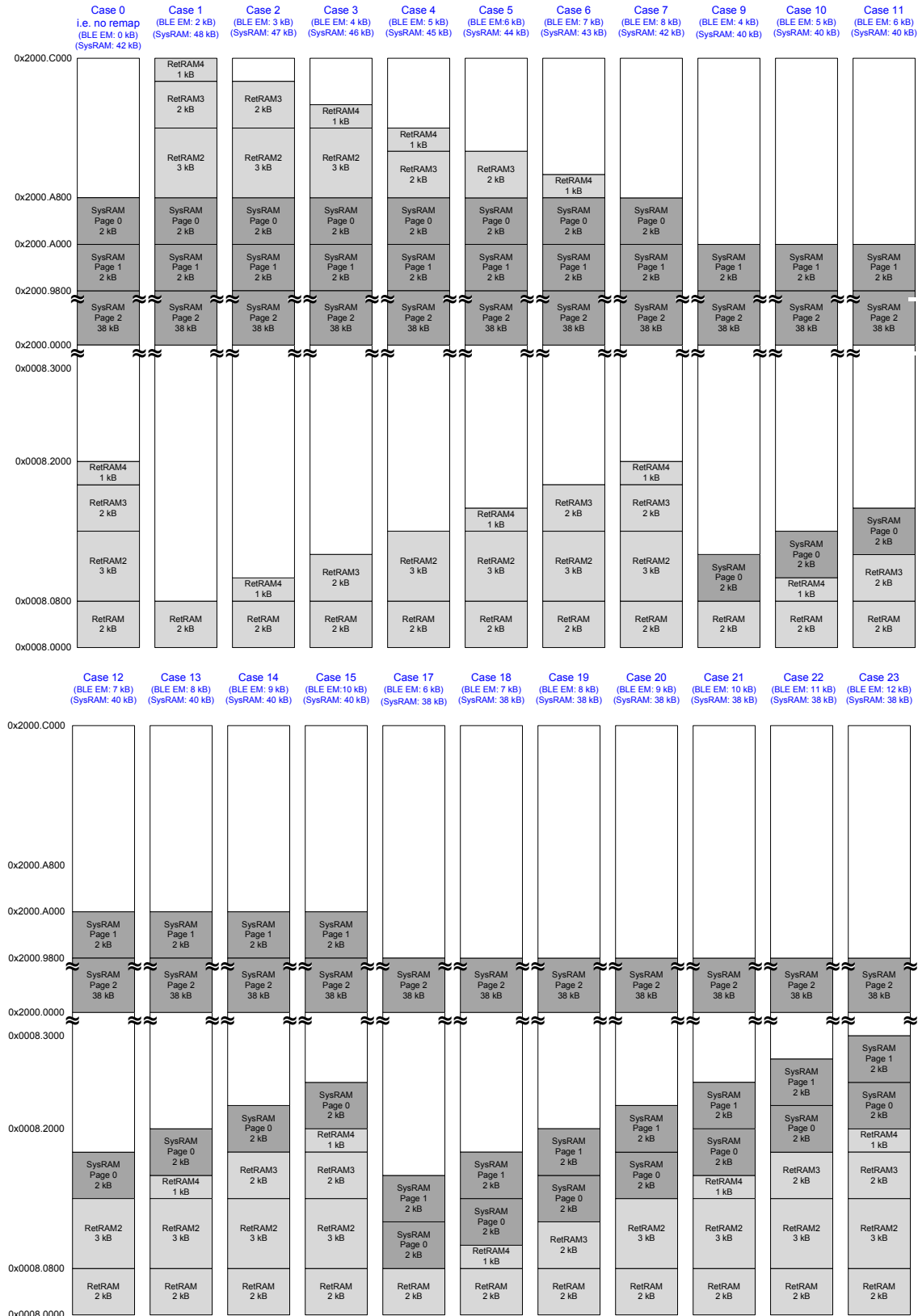


Figure 60: Exchange Memory Mapping Possibilities

There are 24 different cases of mapping the Exchange Memory onto the 5 physical memories (4 Retention RAMs and 1 SysRAM) in pages of 2 kB each. They should be selected according to the application needs regarding the amount of the Exchange Memory. So, for example, Case 15 provides 40 kB of SysRAM and 10 kB of Exchange Memory (8 kB using the Retention and another 2 kB page of the SysRAM cell). Hence, exchange memory requirements can be met by programming the respective case in the EM\_MAP field of the GP\_CONTROL\_REG.

If the BLE core access an Exchange Memory area that is out of the boundaries specified by the GP\_CONTROL\_REG[EM\_MAP], then EMACCERRSTAT bit field is asserted, causing BLE\_ERROR\_IRQ to be raised. The Interrupt Service Routine can detect the error condition by accessing the EMACCERRSTAT and can acknowledge by writing a "1" to EMACCERRACK. BLE\_ERROR\_IRQ is raised when either EMACCERRSTAT or ERRORINTSTAT are asserted.

#### 24.2 PROGRAMMING BLE WAKE UP IRQ

Once BLE core switches to "BLE Deep Sleep mode" the only way to correctly exit from this state is by initially generating the BLE\_WAKEUP\_LP\_IRQ and consecutively the BLE\_SLP\_IRQ. This sequence must be followed regardless of the cause of the termination of the "BLE Deep Sleep mode", i.e. regardless if the BLE Timer expired or BLE Timer has been stopped due to the assertion of BLE\_WAKEUP\_REQ.

The assertion and de-assertion of BLE\_WAKEUP\_LP\_IRQ is fully controlled via the BLE\_ENBPRESET\_REG bit fields. Detailed description is following:

**TWIRQ\_SET:** Number of "ble\_lp\_clk" cycles before the expiration of the BLE Timer, when the BLE\_WAKEUP\_LP\_IRQ must be asserted. It is recommended to select a TWIRQ\_SET value larger than the time required for the XTAL16\_TRIM\_READY\_DELAY event, plus the IRQ Handler execution time. If the programmed value of TWIRQ\_SET is less than the minimum recommended value, then the system will wake up but the actual BLE sleep duration (refer to BLE\_DEEPSLSTAT\_REG) will be larger than the programmed sleep duration (refer to BLE\_DEEPSLWKUP\_REG).

**TWIRQ\_RESET:** Number of "ble\_lp\_clk" cycles before the expiration of the sleep period, when the BLE\_WAKEUP\_LP\_IRQ will be de-asserted. It is recommended to always set to "1".

**TWEXT:** Determines the high period of BLE\_WAKEUP\_LP\_IRQ, in the case of an external wake up event (refer to GP\_CONTROL\_REG[BLE\_WAKEUP\_REQ]). Minimum value is "TWIRQ\_RESET + X", where X is the number of "ble\_lp\_clk" clock cycles that BLE\_WAKEUP\_LP\_IRQ will be held high. Recommended value is "TWIRQ\_RESET + 1". Note that as soon as GP\_CONTROL\_REG[BLE\_WAKEUP\_REQ] is set to "1" the BLE\_WAKEUP\_LP\_IRQ will be asserted.

**Minimum BLE Sleep Duration:** The minimum value of BLE\_DEEPSLWKUP\_REG[DEEPSLTIME] time, measured in "ble\_lp\_clk" cycles, is the maximum of (a) "TWIRQ\_SET + 1" and (b) the SW execution time from setting BLE\_DEEPSLCTRL\_REG[DEEP\_SLEEP\_ON] up to preparing CPU to accept the BLE\_WAKEUP\_LP\_IRQ (e.g. to call the ARM instruction WFI). If programmed DEEPSLTIME is less than the aforementioned minimum value, then BLE\_WAKEUP\_LP\_IRQ Handler may execute sooner than the call of ARM WFI instruction for example, causing SW instability.

#### 24.3 SWITCH FROM ACTIVE MODE TO DEEP SLEEP MODE

Software can set the BLE core into the "BLE Deep Sleep mode", by first programming the timing of BLE\_WAKEUP\_LP\_IRQ generation, then program the desired sleep duration at BLE\_DEEPSLWKUP\_REG and finally set the register bit BLE\_DEEPSLCTRL\_REG[DEEP\_SLEEP\_ON]. The BLE Core will switch to the "ble\_lp\_clk" (32.0 kHz or 32.768 kHz) in order to maintain its internal 625 μs timing reference. Software must poll the state of BLE\_CNTL2\_REG[RADIO\_PWRDN\_ALLOW] to detect the completion of this mode transition. Once the "ble\_lp\_clk" is used for base time reference, SW must disable the BLE clocks ("ble\_master1\_clk", "ble\_master2\_clk" and "ble\_crypt\_clk") by setting to "0" the CLK\_RADIO\_REG[BLE\_ENABLE] register bit. Finally, SW can optionally power down the Radio Subsystem by using the PMU\_CTRL\_REG[RADIO\_SLEEP] and the Peripheral and System power domains as well.

Figure 61 presents the waveforms while entering in BLE Deep Sleep mode. In this case, SW, as soon as it detects that RADIO\_PWRDOWN\_ALLOW is "1", it sets the PMU\_CTRL\_REG[RADIO\_SLEEP] to power down the Radio Subsystem. At the following figures, the corresponding BLE Core signals are marked with red while Radio Subsystem is in power down state.

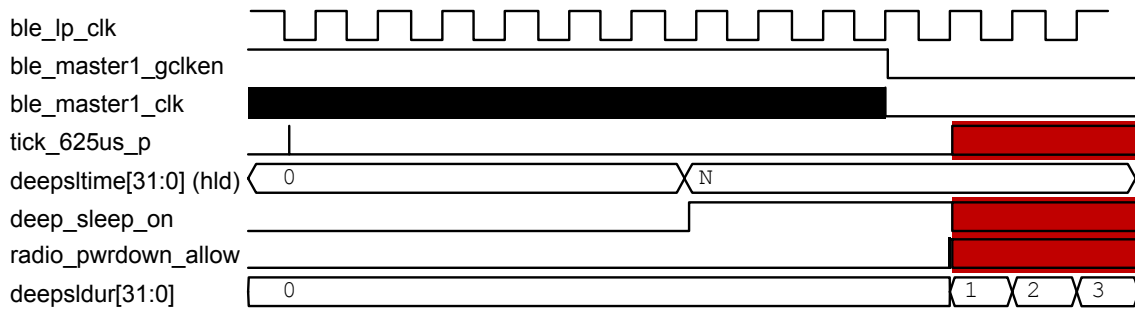


Figure 61 Entering into BLE Deep Sleep Mode

24.4 SWITCH FROM DEEP SLEEP MODE TO ACTIVE MODE

There are two possibilities for BLE Core to terminate the BLE Deep Sleep mode:

1. Termination at the end of a predetermined time.
2. Termination on software wake-up request, due to an external event.

24.4.1 Switching at Anchor Points

Figure 64 shows a typical deep sleep phase that is terminated at predetermined time. After a configurable time before the scheduled wake up time (configured via BLE\_ENBPRESET\_REG register bit fields), the BLE Timer asserts the BLE\_WAKEUP\_LP\_IRQ in order to wake-up the CPU (powering up the System Power Domain). The BLE\_WAKEUP\_LP\_IRQ Interrupt Handler will prepare the code environment and the XTAL16M oscillator stabilization (refer to SYS\_STAT\_REG[XTAL16\_SETTLED]) and will decide when the BLE Core will be ready to exit from the BLE Deep Sleep mode.

Once the SW decides that BLE Core can wake up, it must enable the BLE clocks (via CLK\_RADIO\_REG[BLE\_ENABLE]) and power up the Radio Power Domain (refer to PMU\_CTRL\_REG[RADIO\_SLEEP] and SYS\_STAT\_REG[RAD\_IS\_UP]).

After the expiration of the sleep period (as specified in BLE\_DEEPSLWKUP\_REG[DEEPSLTIME]) the BLE Timer will not exit the BLE Deep Sleep mode until it detect that BLE Core is powered up. That means that if the SW requires more time to power up the BLE Core, then the final sleep duration (provided by BLE\_DEEPSLSTAT\_REG) will be larger than the pre-programmed value.

When BLE Timer is expired, BLE clocks are enabled and BLE Core (Radio Subsystem) is powered up, the BLE Core exists the “BLE Core Deep Sleep mode” and asserts the BLE\_SLP\_IRQ.

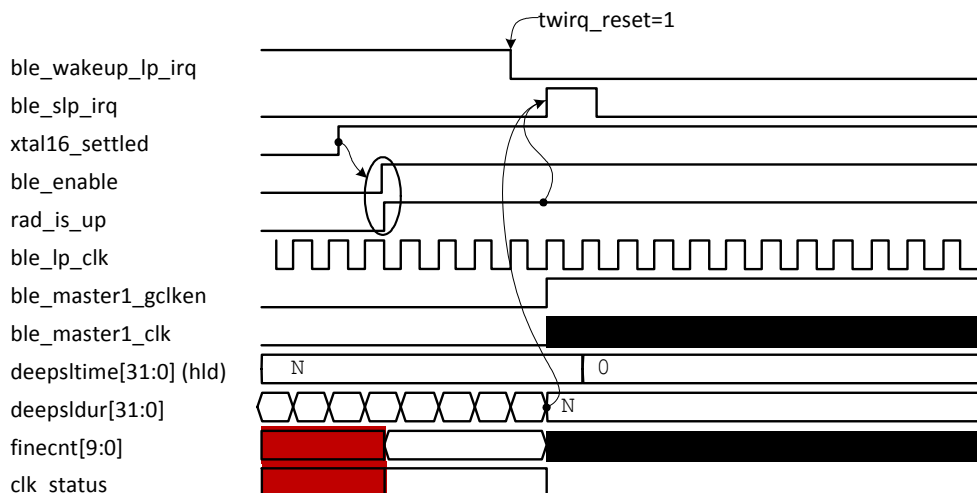


Figure 62 Exit BLE Deep Sleep Mode at Predetermined Time (Zoom In)

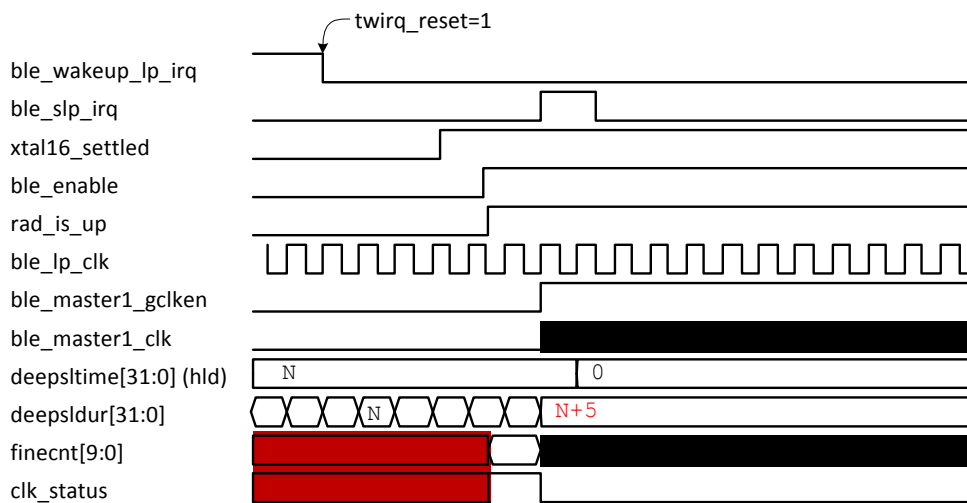


Figure 63 Exit BLE Deep Sleep Mode Later Than the Predetermined Time (Zoom In)



Figure 64 Exit BLE Deep Sleep Mode at Predetermined Time (Zoom Out)



24.4.2 Switching Due to an External Event

Figure 65 shows a wake up from a deep sleep period forced by the assertion of register bit GP\_CONTROL\_REG[BLE\_WAKEUP\_REQ].

Assume that the system is in Deep Sleep state, i.e. all Power Domains have been switched off, and both the Wake-up Timer and Wake-up Controller have been programmed appropriately. Then assume that an event is detected at one of the GPIOs, causing the System Power Domain to wake-up due to WKUP\_QUADDEC\_IRQ. In that case, the SW will decide to wake-up the BLE core, then it should set to

“1” the GP\_CONTROL\_REG[BLE\_WAKEUP\_REQ] in order to force the wake up sequence.

At Figure 65 the BLE\_WAKEUP\_REQ is by the software raised as soon as possible, causing BLE\_WAKEUP\_LP\_IRQ Handler to be executed as soon as possible. It is also possible to raise BLE\_WAKEUP\_REQ after the detection of XTAL16\_TRIM\_READY, causing both BLE\_WAKEUP\_LP\_IRQ and BLE\_SLP\_IRQ Handlers to execute sequentially. The decision depends on the software structure and the application.

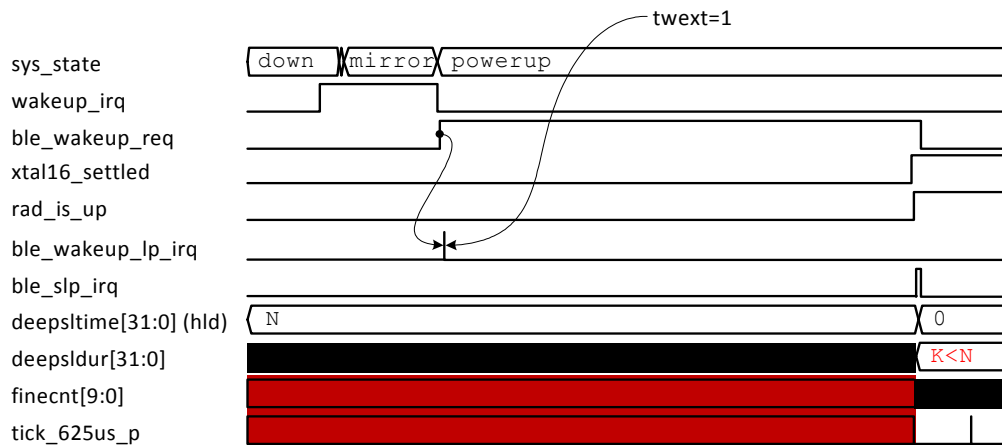


Figure 65 Exit BLE Deep Sleep Mode Due to External Event

As soon as bit field BLE\_WAKEUP\_REQ is set to “1” the BLE\_WAKEUP\_LP\_IRQ will be asserted. In that case, the high period of BLE\_WAKEUP\_LP\_IRQ is controlled via TWEXT. The recommended value of TWEXT is "TWIRQ\_RESET + 1", meaning that BLE\_WAKEUP\_LP\_IRQ will remain high for one “ble\_llp\_clk” period.

As long as the BLE\_WAKEUP\_REQ is high, entering the sleep mode is prohibited. Please note that BLE\_WAKEUP\_REQ event can be disabled by setting BLE\_DEEPSLCNTL\_REG[EXTWKUPDSB].

## 25 Radio

The Radio Transceiver implements the RF part of the Bluetooth low energy protocol. Together with the Bluetooth 4.2 PHY layer, this provides a 93 dB RF link budget for reliable wireless communication.

All RF blocks are supplied by on-chip low-drop out-regulators (LDOs). The bias scheme is programmable per block and optimized for minimum power consumption.

The Bluetooth LE radio block diagram is given in [Figure 66](#). It comprises the Receiver, Transmitter, Synthesizer, Rx/Tx combiner block, and Biasing LDOs.

### Features

- Single ended RFIO interface, 50  $\Omega$  matched
- Alignment free operation
- -93 dBm receiver sensitivity
- 0 dBm transmit output power
- Ultra low power consumption
- Fast frequency tuning minimizes overhead

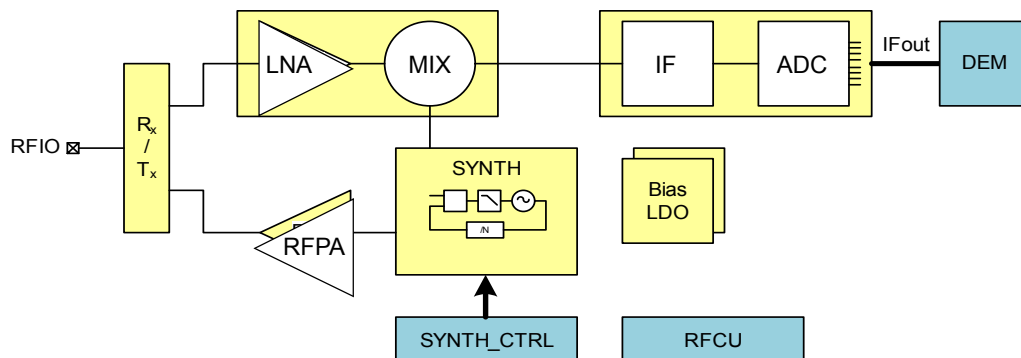


Figure 66: Bluetooth Radio Block Diagram

### 25.1 RECEIVER

The RX frontend consists of a selective matching network, a low noise amplifier (LNA) and an image rejection down conversion mixer. The LNA gain is controlled by the AGC.

The intermediate frequency (IF) part of the receiver comprises a complex filter and 2 variable gain amplifiers. This provides the necessary signal conditioning prior to digitalization. The digital demodulator block (DEM) provides a synchronous bit stream.

### 25.2 SYNTHESIZER

The RF Synthesizer generates the quadrature LO signal for the mixer, but also generates the modulated TX output signal. The VCO runs at twice the required frequency and a dedicated divide-by-2 circuit generates the 2.4 GHz signals in the required phase relations. Its frequency is controlled by a classic 3rd order type II PLL with a passive loop filter, operated in fractional-N mode. The reference frequency is the 16 MHz crystal clock. The multi-modulus divider has a nominal divide ratio of 153 which is varied by a  $\Sigma\Delta$  modulator. The modulation of the TX frequency is performed by 2-point modulation. The fractional divide ratio also contains the shaped TX data stream. A second modulation path feeds the TX data stream directly to the VCO. The latter path is automatically calibrated from time to time to align the low and high frequency parts of the 2-point modulation scheme.

### 25.3 TRANSMITTER

The RF power amplifier (RFPA) is an extremely efficient Class-D structure, providing typically 0 dBm to the antenna. It is fed by the VCO's divide-by-2 circuit and delivers its TX power to the antenna pin through the combined RX/TX matching circuit.

### 25.4 RFIO

The RX/TX combiner block is a unique feature of the DA14581. It makes sure that the received power is applied to the LNA with minimum losses towards the RFPA. In TX mode, the LNA poses a minimal load for the RFPA and its input pins are protected from the RFPA. In both modes, the single ended RFIO port is matched to 50  $\Omega$ , in order to provide the simplest possible interfacing to the antenna on the printed circuit board.

### 25.5 BIASING

All RF blocks are supplied by on-chip low-drop out-regulators (LDOs). The bias scheme is programmable per block and optimized for minimum power consumption.

### 25.6 CONTROL

The radio control unit (RFCU) controls the block timing and configuration registers. The BLE interfaces directly with the RFCU. The DA14581 can be put in test mode using a standard Bluetooth tester (e.g. Rohde & Schwarz CBT with K57 option) by connecting the antenna terminal for the RF link and the UART as described in [section 14.7](#).

## 26 Registers

This section contains a detailed view of the DA14581 registers. It is organized as follows: An overview table is presented initially, which depicts all register names, addresses and descriptions. A detailed bit level description of each register follows.

**Note:** The registers related to port P3 are not supported in the DA14581.

The register file of the ARM Cortex-M0 can be found in the following documents, available on the ARM website:

**Devices Generic User Guide:**

DUI0497A\_cortex\_m0\_r0p0\_generic\_ug.pdf

**Technical Reference Manual:**

DDI0432C\_cortex\_m0\_r0p0\_trm.pdf

These documents contain the register descriptions for the Nested Vectored Interrupt Controller (NVIC), the System Control Block (SCB) and the System Timer (SysTick).

Table 25: Register Map

Address	Port	Description
0x40000000	BLE_RWBTLCTRL_REG	BLE Control register
0x40000004	BLE_VERSION_REG	Version register
0x40000008	BLE_RWBTLCONF_REG	Configuration register
0x4000000C	BLE_INTCNTL_REG	Interrupt controller register
0x40000010	BLE_INTSTAT_REG	Interrupt status register
0x40000014	BLE_INTRAWSTAT_REG	Interrupt raw status register
0x40000018	BLE_INTACK_REG	Interrupt acknowledge register
0x4000001C	BLE_BASETIMECNT_REG	Base time reference counter
0x40000020	BLE_FINETIMECNT_REG	Fine time reference counter
0x40000024	BLE_BDADDR_L_REG	BLE device address LSB register
0x40000028	BLE_BDADDR_U_REG	BLE device address MSB register
0x4000002C	BLE_CURRENTRXDESCPTR_REG	Rx Descriptor Pointer for the Receive Buffer Chained List
0x40000030	BLE_DEEPSLCTRL_REG	Deep-Sleep control register
0x40000034	BLE_DEEPSLWUP_REG	Time (measured in Low Power clock cycles) in Deep Sleep Mode before waking-up the device
0x40000038	BLE_DEEPSLSTAT_REG	Duration of the last deep sleep phase register
0x4000003C	BLE_ENBPRESSET_REG	Time in low power oscillator cycles register
0x40000040	BLE_FINECNTCORR_REG	Phase correction value register
0x40000044	BLE_BASETIMECNTCORR_REG	Base Time Counter
0x40000050	BLE_DIAGCNTL_REG	Diagnostics Register
0x40000054	BLE_DIAGSTAT_REG	Debug use only
0x40000058	BLE_DEBUGADDMAX_REG	Upper limit for the memory zone
0x4000005C	BLE_DEBUGADDMIN_REG	Lower limit for the memory zone
0x40000060	BLE_ERRORYPESTAT_REG	Error Type Status registers
0x40000064	BLE_SWPROFILING_REG	Software Profiling register
0x40000070	BLE_RADIOCNTL0_REG	Radio interface control register
0x40000074	BLE_RADIOCNTL1_REG	Radio interface control register
0x40000080	BLE_RADIOPWUPDN_REG	RX/TX power up/down phase register
0x40000090	BLE_ADVCHMAP_REG	Advertising Channel Map
0x400000A0	BLE_ADVTIM_REG	Advertising Packet Interval
0x400000A4	BLE_ACTSCANSTAT_REG	Active scan register
0x400000B0	BLE_WLPUBADDPTR_REG	Start address of public devices list
0x400000B4	BLE_WLPRIVADDPTR_REG	Start address of private devices list
0x400000B8	BLE_WLNBDEV_REG	Devices in white list
0x400000C0	BLE_AESCNTL_REG	Start AES register
0x400000C4	BLE_AESKEY31_0_REG	AES encryption key
0x400000C8	BLE_AESKEY63_32_REG	AES encryption key
0x400000CC	BLE_AESKEY95_64_REG	AES encryption key
0x400000D0	BLE_AESKEY127_96_REG	AES encryption key
0x400000D4	BLE_AESPTR_REG	Pointer to the block to encrypt/decrypt
0x400000D8	BLE_TXMICVAL_REG	AES / CCM plain MIC value
0x400000DC	BLE_RXMICVAL_REG	AES / CCM plain MIC value
0x400000E0	BLE_RFTESTCNTL_REG	RF Testing Register

Table 25: Register Map

Address	Port	Description
0x40000F0	BLE_TIMGENCNTL_REG	Timing Generator Register
0x40000F4	BLE_GROSSTIMTGT_REG	Gross Timer Target value
0x40000F8	BLE_FINETIMTGT_REG	Fine Timer Target value
0x40000FC	BLE_SAMPLECLK_REG	Samples the Base Time Counter
0x4000200	BLE_CNTL2_REG	BLE Control Register 2
0x4000204	BLE_RF_DIAGIRQ_REG	BLE/RF Diagnostic IRQ Control Register
0x4000800	OTPC_MODE_REG	Mode register
0x4000804	OTPC_PCTRL_REG	Bit-programming control register
0x4000808	OTPC_STAT_REG	Status register
0x400080C	OTPC_AHBADR_REG	AHB master start address
0x4000810	OTPC_CELADR_REG	Macrocell start address
0x4000814	OTPC_NWORDS_REG	Number of words
0x4000818	OTPC_FFPRT_REG	Ports access to fifo logic
0x400081C	OTPC_FFRD_REG	Latest read data from the OTPC_FFPRT_REG
0x5000000	CLK_AMBA_REG	HCLK, PCLK, divider and clock gates
0x5000002	CLK_FREQ_TRIM_REG	Xtal frequency trimming register
0x5000004	CLK_PER_REG	Peripheral divider register
0x5000008	CLK_RADIO_REG	Radio PLL control register
0x500000A	CLK_CTRL_REG	Clock control register
0x5000010	PMU_CTRL_REG	Power Management Unit control register
0x5000012	SYS_CTRL_REG	System Control register
0x5000014	SYS_STAT_REG	System status register
0x5000016	TRIM_CTRL_REG	Control trimming of the XTAL16M
0x5000020	CLK_32K_REG	32 kHz oscillator register
0x5000022	CLK_16M_REG	16 MHz RC-oscillator register
0x5000024	CLK_RCX20K_REG	20 kHz RXC-oscillator control register
0x5000028	BANDGAP_REG	Bandgap trimming
0x500002A	ANA_STATUS_REG	Status bit of analog (power management) circuits
0x5000100	WKUP_CTRL_REG	Control register for the wakeup counter
0x5000102	WKUP_COMPARE_REG	Number of events before wakeup interrupt
0x5000104	WKUP_RESET_IRQ_REG	Reset wakeup interrupt
0x5000106	WKUP_COUNTER_REG	Actual number of events of the wakeup counter
0x5000108	WKUP_RESET_CNTR_REG	Reset the event counter
0x500010A	WKUP_SELECT_P0_REG	Select which inputs from P0 port can trigger wkup counter
0x500010C	WKUP_SELECT_P1_REG	Select which inputs from P1 port can trigger wkup counter
0x500010E	WKUP_SELECT_P2_REG	Select which inputs from P2 port can trigger wkup counter
0x5000110	WKUP_SELECT_P3_REG	Select which inputs from P3 port can trigger wkup counter
0x5000112	WKUP_POL_P0_REG	Select the sensitivity polarity for each P0 input
0x5000114	WKUP_POL_P1_REG	Select the sensitivity polarity for each P1 input
0x5000116	WKUP_POL_P2_REG	Select the sensitivity polarity for each P2 input
0x5000118	WKUP_POL_P3_REG	Select the sensitivity polarity for each P3 input

Table 25: Register Map

Address	Port	Description
0x5000200	QDEC_CTRL_REG	Quad Decoder control register
0x5000202	QDEC_XCNT_REG	Counter value of the X Axis
0x5000204	QDEC_YCNT_REG	Counter value of the Y Axis
0x5000206	QDEC_CLOCKDIV_REG	Clock divider register
0x5000208	QDEC_CTRL2_REG	Quad Decoder control register
0x500020A	QDEC_ZCNT_REG	Z_counter
0x50001000	UART_RBR_THR_DLL_REG	Receive Buffer Register
0x50001004	UART_IER_DLH_REG	Interrupt Enable Register
0x50001008	UART_IIR_FCR_REG	Interrupt Identification Register/FIFO Control Register
0x5000100C	UART_LCR_REG	Line Control Register
0x50001010	UART_MCR_REG	Modem Control Register
0x50001014	UART_LSR_REG	Line Status Register
0x50001018	UART_MSR_REG	Modem Status Register
0x5000101C	UART_SCR_REG	Scratchpad Register
0x50001020	UART_LPDLL_REG	Low Power Divisor Latch Low
0x50001024	UART_LPDH_REG	Low Power Divisor Latch High
0x50001030	UART_SRBR_STHR0_REG	Shadow Receive/Transmit Buffer Register
0x50001034	UART_SRBR_STHR1_REG	Shadow Receive/Transmit Buffer Register
0x50001038	UART_SRBR_STHR2_REG	Shadow Receive/Transmit Buffer Register
0x5000103C	UART_SRBR_STHR3_REG	Shadow Receive/Transmit Buffer Register
0x50001040	UART_SRBR_STHR4_REG	Shadow Receive/Transmit Buffer Register
0x50001044	UART_SRBR_STHR5_REG	Shadow Receive/Transmit Buffer Register
0x50001048	UART_SRBR_STHR6_REG	Shadow Receive/Transmit Buffer Register
0x5000104C	UART_SRBR_STHR7_REG	Shadow Receive/Transmit Buffer Register
0x50001050	UART_SRBR_STHR8_REG	Shadow Receive/Transmit Buffer Register
0x50001054	UART_SRBR_STHR9_REG	Shadow Receive/Transmit Buffer Register
0x50001058	UART_SRBR_STHR10_REG	Shadow Receive/Transmit Buffer Register
0x5000105C	UART_SRBR_STHR11_REG	Shadow Receive/Transmit Buffer Register
0x50001060	UART_SRBR_STHR12_REG	Shadow Receive/Transmit Buffer Register
0x50001064	UART_SRBR_STHR13_REG	Shadow Receive/Transmit Buffer Register
0x50001068	UART_SRBR_STHR14_REG	Shadow Receive/Transmit Buffer Register
0x5000106C	UART_SRBR_STHR15_REG	Shadow Receive/Transmit Buffer Register
0x5000107C	UART_USR_REG	UART Status register.
0x50001080	UART_TFL_REG	Transmit FIFO Level
0x50001084	UART_RFL_REG	Receive FIFO Level.
0x50001088	UART_SRR_REG	Software Reset Register.
0x5000108C	UART_SRTS_REG	Shadow Request to Send
0x50001090	UART_SBCR_REG	Shadow Break Control Register
0x50001094	UART_SDMAM_REG	Shadow DMA Mode
0x50001098	UART_SFE_REG	Shadow FIFO Enable
0x5000109C	UART_SRT_REG	Shadow RCVR Trigger
0x500010A0	UART_STET_REG	Shadow TX Empty Trigger
0x500010A4	UART_HTX_REG	Halt TX
0x500010F4	UART_CPR_REG	Component Parameter Register

Table 25: Register Map

Address	Port	Description
0x500010F8	UART_UCV_REG	Component Version
0x500010FC	UART_CTR_REG	Component Type Register
0x50001100	UART2_RBR_THR_DLL_REG	Receive Buffer Register
0x50001104	UART2_IER_DLH_REG	Interrupt Enable Register
0x50001108	UART2_IIR_FCR_REG	Interrupt Identification Register/FIFO Control Register
0x5000110C	UART2_LCR_REG	Line Control Register
0x50001110	UART2_MCR_REG	Modem Control Register
0x50001114	UART2_LSR_REG	Line Status Register
0x50001118	UART2_MSR_REG	Modem Status Register
0x5000111C	UART2_SCR_REG	Scratchpad Register
0x50001120	UART2_LPDLL_REG	Low Power Divisor Latch Low
0x50001124	UART2_LPDLH_REG	Low Power Divisor Latch High
0x50001130	UART2_SRBR_STHR0_REG	Shadow Receive/Transmit Buffer Register
0x50001134	UART2_SRBR_STHR1_REG	Shadow Receive/Transmit Buffer Register
0x50001138	UART2_SRBR_STHR2_REG	Shadow Receive/Transmit Buffer Register
0x5000113C	UART2_SRBR_STHR3_REG	Shadow Receive/Transmit Buffer Register
0x50001140	UART2_SRBR_STHR4_REG	Shadow Receive/Transmit Buffer Register
0x50001144	UART2_SRBR_STHR5_REG	Shadow Receive/Transmit Buffer Register
0x50001148	UART2_SRBR_STHR6_REG	Shadow Receive/Transmit Buffer Register
0x5000114C	UART2_SRBR_STHR7_REG	Shadow Receive/Transmit Buffer Register
0x50001150	UART2_SRBR_STHR8_REG	Shadow Receive/Transmit Buffer Register
0x50001154	UART2_SRBR_STHR9_REG	Shadow Receive/Transmit Buffer Register
0x50001158	UART2_SRBR_STHR10_REG	Shadow Receive/Transmit Buffer Register
0x5000115C	UART2_SRBR_STHR11_REG	Shadow Receive/Transmit Buffer Register
0x50001160	UART2_SRBR_STHR12_REG	Shadow Receive/Transmit Buffer Register
0x50001164	UART2_SRBR_STHR13_REG	Shadow Receive/Transmit Buffer Register
0x50001168	UART2_SRBR_STHR14_REG	Shadow Receive/Transmit Buffer Register
0x5000116C	UART2_SRBR_STHR15_REG	Shadow Receive/Transmit Buffer Register
0x5000117C	UART2_USR_REG	UART Status register.
0x50001180	UART2_TFL_REG	Transmit FIFO Level
0x50001184	UART2_RFL_REG	Receive FIFO Level.
0x50001188	UART2_SRR_REG	Software Reset Register.
0x5000118C	UART2_SRTS_REG	Shadow Request to Send
0x50001190	UART2_SBCR_REG	Shadow Break Control Register
0x50001194	UART2_SDMAM_REG	Shadow DMA Mode
0x50001198	UART2_SFE_REG	Shadow FIFO Enable
0x5000119C	UART2_SRT_REG	Shadow RCVR Trigger
0x500011A0	UART2_STET_REG	Shadow TX Empty Trigger
0x500011A4	UART2_HTX_REG	Halt TX
0x500011F4	UART2_CPR_REG	Component Parameter Register
0x500011F8	UART2_UCV_REG	Component Version
0x500011FC	UART2_CTR_REG	Component Type Register
0x50001200	SPI_CTRL_REG	SPI control register 0
0x50001202	SPI_RX_TX_REG0	SPI RX/TX register0



Table 25: Register Map

Address	Port	Description
0x50001204	SPI_RX_TX_REG1	SPI RX/TX register1
0x50001206	SPI_CLEAR_INT_REG	SPI clear interrupt register
0x50001208	SPI_CTRL_REG1	SPI control register 1
0x50001300	I2C_CON_REG	I2C Control Register
0x50001304	I2C_TAR_REG	I2C Target Address Register
0x50001308	I2C_SAR_REG	I2C Slave Address Register
0x50001310	I2C_DATA_CMD_REG	I2C Rx/Tx Data Buffer and Command Register
0x50001314	I2C_SS_SCL_HCNT_REG	Standard Speed I2C Clock SCL High Count Register
0x50001318	I2C_SS_SCL_LCNT_REG	Standard Speed I2C Clock SCL Low Count Register
0x5000131C	I2C_FS_SCL_HCNT_REG	Fast Speed I2C Clock SCL High Count Register
0x50001320	I2C_FS_SCL_LCNT_REG	Fast Speed I2C Clock SCL Low Count Register
0x5000132C	I2C_INTR_STAT_REG	I2C Interrupt Status Register
0x50001330	I2C_INTR_MASK_REG	I2C Interrupt Mask Register
0x50001334	I2C_RAW_INTR_STAT_REG	I2C Raw Interrupt Status Register
0x50001338	I2C_RX_TL_REG	I2C Receive FIFO Threshold Register
0x5000133C	I2C_TX_TL_REG	I2C Transmit FIFO Threshold Register
0x50001340	I2C_CLR_INTR_REG	Clear Combined and Individual Interrupt Register
0x50001344	I2C_CLR_RX_UNDER_REG	Clear RX_UNDER Interrupt Register
0x50001348	I2C_CLR_RX_OVER_REG	Clear RX_OVER Interrupt Register
0x5000134C	I2C_CLR_TX_OVER_REG	Clear TX_OVER Interrupt Register
0x50001350	I2C_CLR_RD_REQ_REG	Clear RD_REQ Interrupt Register
0x50001354	I2C_CLR_TX_ABRT_REG	Clear TX_ABRT Interrupt Register
0x50001358	I2C_CLR_RX_DONE_REG	Clear RX_DONE Interrupt Register
0x5000135C	I2C_CLR_ACTIVITY_REG	Clear ACTIVITY Interrupt Register
0x50001360	I2C_CLR_STOP_DET_REG	Clear STOP_DET Interrupt Register
0x50001364	I2C_CLR_START_DET_REG	Clear START_DET Interrupt Register
0x50001368	I2C_CLR_GEN_CALL_REG	Clear GEN_CALL Interrupt Register
0x5000136C	I2C_ENABLE_REG	I2C Enable Register
0x50001370	I2C_STATUS_REG	I2C Status Register
0x50001374	I2C_TXFLR_REG	I2C Transmit FIFO Level Register
0x50001378	I2C_RXFLR_REG	I2C Receive FIFO Level Register
0x5000137C	I2C_SDA_HOLD_REG	I2C SDA Hold Time Length Register
0x50001380	I2C_TX_ABRT_SOURCE_REG	I2C Transmit Abort Source Register
0x50001394	I2C_SDA_SETUP_REG	I2C SDA Setup Register
0x50001398	I2C_ACK_GENERAL_CALL_REG	I2C ACK General Call Register
0x5000139C	I2C_ENABLE_STATUS_REG	I2C Enable Status Register
0x500013A0	I2C_IC_FS_SPKLEN_REG	I2C SS and FS spike suppression limit Size
0x50001400	GPIO_IRQ0_IN_SEL_REG	GPIO interrupt selection for GPIO_IRQ0
0x50001402	GPIO_IRQ1_IN_SEL_REG	GPIO interrupt selection for GPIO_IRQ1
0x50001404	GPIO_IRQ2_IN_SEL_REG	GPIO interrupt selection for GPIO_IRQ2
0x50001406	GPIO_IRQ3_IN_SEL_REG	GPIO interrupt selection for GPIO_IRQ3
0x50001408	GPIO_IRQ4_IN_SEL_REG	GPIO interrupt selection for GPIO_IRQ4
0x5000140C	GPIO_DEBOUNCE_REG	debounce counter value for GPIO inputs
0x5000140E	GPIO_RESET_IRQ_REG	GPIO interrupt reset register

Table 25: Register Map

Address	Port	Description
0x50001410	GPIO_INT_LEVEL_CTRL_REG	high or low level select for GPIO interrupts
0x50001412	KBRD_IRQ_IN_SEL0_REG	GPIO interrupt selection for KBRD_IRQ for P0
0x50001414	KBRD_IRQ_IN_SEL1_REG	GPIO interrupt selection for KBRD_IRQ for P1 and P2
0x50001416	KBRD_IRQ_IN_SEL2_REG	GPIO interrupt selection for KBRD_IRQ for P3
0x50001500	GP_ADC_CTRL_REG	General Purpose ADC Control Register
0x50001502	GP_ADC_CTRL2_REG	General Purpose ADC Second Control Register
0x50001504	GP_ADC_OFFP_REG	General Purpose ADC Positive Offset Register
0x50001506	GP_ADC_OFFN_REG	General Purpose ADC Negative Offset Register
0x50001508	GP_ADC_CLEAR_INT_REG	General Purpose ADC Clear Interrupt Register
0x5000150A	GP_ADC_RESULT_REG	General Purpose ADC Result Register
0x5000150C	GP_ADC_DELAY_REG	General Purpose ADC Delay Register
0x5000150E	GP_ADC_DELAY2_REG	General Purpose ADC Second Delay Register
0x50001600	CLK_REF_SEL_REG	Select clock for oscillator calibration
0x50001602	CLK_REF_CNT_REG	Count value for oscillator calibration
0x50001604	CLK_REF_VAL_L_REG	XTAL16M reference cycles, lower 16 bits
0x50001606	CLK_REF_VAL_H_REG	XTAL16M reference cycles, upper 16 bits
0x50003000	P0_DATA_REG	P0 Data input / output register
0x50003002	P0_SET_DATA_REG	P0 Set port pins register
0x50003004	P0_RESET_DATA_REG	P0 Reset port pins register
0x50003006	P00_MODE_REG	P00 Mode Register
0x50003008	P01_MODE_REG	P01 Mode Register
0x5000300A	P02_MODE_REG	P02 Mode Register
0x5000300C	P03_MODE_REG	P03 Mode Register
0x5000300E	P04_MODE_REG	P04 Mode Register
0x50003010	P05_MODE_REG	P05 Mode Register
0x50003012	P06_MODE_REG	P06 Mode Register
0x50003014	P07_MODE_REG	P07 Mode Register
0x50003020	P1_DATA_REG	P1 Data input / output register
0x50003022	P1_SET_DATA_REG	P1 Set port pins register
0x50003024	P1_RESET_DATA_REG	P1 Reset port pins register
0x50003026	P10_MODE_REG	P10 Mode Register
0x50003028	P11_MODE_REG	P11 Mode Register
0x5000302A	P12_MODE_REG	P12 Mode Register
0x5000302C	P13_MODE_REG	P13 Mode Register
0x5000302E	P14_MODE_REG	P14 Mode Register
0x50003030	P15_MODE_REG	P15 Mode Register
0x50003040	P2_DATA_REG	P2 Data input / output register
0x50003042	P2_SET_DATA_REG	P2 Set port pins register
0x50003044	P2_RESET_DATA_REG	P2 Reset port pins register
0x50003046	P20_MODE_REG	P20 Mode Register
0x50003048	P21_MODE_REG	P21 Mode Register
0x5000304A	P22_MODE_REG	P22 Mode Register
0x5000304C	P23_MODE_REG	P23 Mode Register
0x5000304E	P24_MODE_REG	P24 Mode Register

Table 25: Register Map

Address	Port	Description
0x50003050	P25_MODE_REG	P25 Mode Register
0x50003052	P26_MODE_REG	P26 Mode Register
0x50003054	P27_MODE_REG	P27 Mode Register
0x50003056	P28_MODE_REG	P28 Mode Register
0x50003058	P29_MODE_REG	P29 Mode Register
0x50003070	P01_PADPWR_CTRL_REG	Ports 0 and 1 Output Power Control Register
0x50003072	P2_PADPWR_CTRL_REG	Port 2 Output Power Control Register
0x50003074	P3_PADPWR_CTRL_REG	Port 3 Output Power Control Register
0x50003080	P3_DATA_REG	P3 Data input / output register
0x50003082	P3_SET_DATA_REG	P3 Set port pins register
0x50003084	P3_RESET_DATA_REG	P3 Reset port pins register
0x50003086	P30_MODE_REG	P30 Mode Register
0x50003088	P31_MODE_REG	P31 Mode Register
0x5000308A	P32_MODE_REG	P32 Mode Register
0x5000308C	P33_MODE_REG	P33 Mode Register
0x5000308E	P34_MODE_REG	P34 Mode Register
0x50003090	P35_MODE_REG	P35 Mode Register
0x50003092	P36_MODE_REG	P36 Mode Register
0x50003094	P37_MODE_REG	P37 Mode Register
0x50003100	WATCHDOG_REG	Watchdog timer register.
0x50003102	WATCHDOG_CTRL_REG	Watchdog control register.
0x50003200	CHIP_ID1_REG	Chip identification register 1.
0x50003201	CHIP_ID2_REG	Chip identification register 2.
0x50003202	CHIP_ID3_REG	Chip identification register 3.
0x50003203	CHIP_SWC_REG	Software compatibility register.
0x50003204	CHIP_REVISION_REG	Chip revision register.
0x50003300	SET_FREEZE_REG	Controls freezing of various timers/counters.
0x50003302	RESET_FREEZE_REG	Controls unfreezing of various timers/counters.
0x50003304	DEBUG_REG	Various debug information register.
0x50003306	GP_STATUS_REG	General purpose system status register.
0x50003308	GP_CONTROL_REG	General purpose system control register.
0x50003400	TIMER0_CTRL_REG	Timer0 control register
0x50003402	TIMER0_ON_REG	Timer0 on control register
0x50003404	TIMER0_RELOAD_M_REG	16 bits reload value for Timer0
0x50003406	TIMER0_RELOAD_N_REG	16 bits reload value for Timer0
0x50003408	PWM2_DUTY_CYCLE	Duty Cycle for PWM2
0x5000340A	PWM3_DUTY_CYCLE	Duty Cycle for PWM3
0x5000340C	PWM4_DUTY_CYCLE	Duty Cycle for PWM4
0x5000340E	TRIPLE_PWM_FREQUENCY	Frequency for PWM 2,3 and 4
0x50003410	TRIPLE_PWM_CTRL_REG	PWM 2 3 4 Control

Table 26: BLE\_RWBTLCTRL\_REG (0x40000000)

Bit	Mode	Symbol	Description	Reset
31	r/w	MASTER_SOFT_RST	Reset the complete system except registers and timing generator, when written with a 1. Resets at 0 when action is performed. No action happens if it is written with 0.	0x0
30	r/w	MASTER_TGSOFT_RST	Reset the timing generator, when written with a 1. Resets at 0 when action is performed. No action happens if it is written with 0.	0x0
29	r/w	REG_SOFT_RST	Reset the complete register block, when written with a 1. Resets at 0 when action is performed. No action happens if it is written with 0.	0x0
28:27	-	-	Reserved	0x0
26	r/w	RFTEST_ABORT	Abort the current RF Testing defined as per CS-FORMAT when written with a 1. Resets at 0 when action is performed. No action happens if it is written with 0. Note that when RFTEST_ABORT is requested. 1) In case of infinite Tx, the Packet Controller FSM stops at the end of the current byte in process, and processes accordingly the packet CRC. 2) In case of Infinite Rx, the Packet Controller FSM either stops as the end of the current Packet reception (if Access address has been detected), or simply stop the processing switching off the RF.	0x0
25	r/w	ADVERT_ABORT	Abort the current Advertising event when written with a 1. Resets at 0 when action is performed. No action happens if it is written with 0.	0x0
24	r/w	SCAN_ABORT	Abort the current scan window when written with a 1. Resets at 0 when action is performed. No action happens if it is written with 0.	0x0
23	-	-	Reserved	0x0
22	r/w	MD_DSB	0: Normal operation of MD bits management 1: Allow a single Tx/Rx exchange whatever the MD bits are	0x0
21	r/w	SN_DSB	0: Normal operation of Sequence number 1: Sequence Number Management disabled: value forced by SW from Tx Descriptor value ignored in Rx, meaning that no SN error reported.	0x0
20	r/w	NESN_DSB	0: Normal operation of Sequence number 1: Sequence Number Management disabled: value forced by SW from Tx Descriptor value ignored in Rx, meaning that no SN error reported.	0x0
19	r/w	CRYPT_DSB	0: Normal operation. Encryption / Decryption enabled. 1: Encryption / Decryption disabled. Note that if CS-CRYPT_EN is set, then MIC is generated, and only data encryption is disabled, meaning data sent are plain data.	0x0
18	r/w	WHIT_DSB	0: Normal operation. Whitening enabled. 1: Whitening disabled.	0x0
17	r/w	CRC_DSB	0: Normal operation. CRC removed from data stream. 1: CRC stripping disabled on Rx packets, CRC replaced by 0x000 in Tx	0x0
16	r/w	HOP_REMAP_DSB	0: Normal operation. Frequency Hopping Remapping algorithm enabled. 1: Frequency Hopping Remapping algorithm disabled	0x0
15:13	-	-	Reserved	0x0

Table 26: BLE\_RWBTLCNTL\_REG (0x40000000)

Bit	Mode	Symbol	Description	Reset
12	r/w	TXWINDOFFSEL	Applicable only if device is in Initiator mode 0: Window Offset field in CONNECT_REQ comes from Tx Data Buffer 1: Window Offset field in CONNECT_REQ comes from Event Controller processing and is replaced in real time by Packet Controller	0x0
11	r/w	RXDESCPTRSEL	0: Selects Rx Descriptor Pointer value from Control Structure 1: Selects Rx Descriptor Pointer value from CURRENTRX-DESCPTR register	0x0
10	r/w	ADVERRFILT_EN	Advertising Channels Error Filtering Enable control 0: BLE Core reports all errors to BLE Software 1: BLE Core reports only correctly received packet, without error to BLE Software	0x0
9	r/w	WLSYNC_EN	0: WLAN synchronization pulse generation disabled 1: WLAN synchronization pulse generation enabled	0x0
8	r/w	RWBLE_EN	0: Disable BLE Core Exchange Table pre-fetch mechanism. 1: Enable BLE Core Exchange table pre-fetch mechanism.	0x0
7:4	r/w	RXWINSZDEF	Default Rx Window size in us. Used when device a) is master connected b) performs its second receipt. 0 is not a valid value. Recommended value is 10.	0x0
3	-	-	Reserved	0x0
2:0	r/w	SYNCERR	Indicates the maximum number of errors allowed to recognize the synchronization word.	0x0

Table 27: BLE\_VERSION\_REG (0x40000004)

Bit	Mode	Symbol	Description	Reset
31:24	r	TYP	BLE Core Type - 0x6 means BT4.0 (i.e correspond LL version assigned number)	0x0
23:16	r	REL	BLE Core version - Major release number.(Correspond to FS v1.11)	0x0
15:8	r	UPG	BLE Core upgrade - Upgrade number. (Correspond to FS v1.11)	0x0
7:0	r	BUILD	BLE Core Build - Build number	0x0

Table 28: BLE\_RWBTLCONF\_REG (0x40000008)

Bit	Mode	Symbol	Description	Reset
31:30	-	-	Reserved	0x0
29:24	r	ADD_WIDTH	Value of the BLE_ADDRESS_WIDTH parameter converted into binary.	0xE
23	-	-	Reserved	0x0
22:16	r	RFIF	Supported radio interfaces. 0001000: on-chip radio others: reserved	0x8
15:14	-	-	Reserved	0x0
13:8	r	CLK_SEL	Operating Frequency (in MHz). This field is a copy of the BLE_CNTL2_REG[BLE_CLK_SEL] value.	0x0
7:6	-	-	Reserved	0x0

Table 28: BLE\_RWBLECONF\_REG (0x40000008)

Bit	Mode	Symbol	Description	Reset
5	r	DMMODE	0: BLE Core is used as a standalone BLE device 1: BLE Core is used in a Dual Mode device	0x0
4	r	INTMODE	0: Interrupts are edge level generated, i.e pulse. 1: Interrupts are trigger level generated, i.e stays active at 1 till acknowledgement	0x1
3	r	WLAN	0: WLAN Coexistence mechanism not present 1: WLAN Coexistence mechanism present	0x0
2	r	USEDDBG	0: Diagnostic port not instantiated 1: Diagnostic port instantiated	0x1
1	r	USECRYPT	0: Encryption block not present 1: Encryption block present	0x1
0	r	BUSWIDTH	Processor bus width: 0: 16 bits 1: 32 bits	0x1

Table 29: BLE\_INTCNTL\_REG (0x4000000C)

Bit	Mode	Symbol	Description	Reset
31:16	r/w	INTCSCNTL	Selection of the CS counter that generates an interrupt. For example, if INTCNTL[3] is set, an interrupt is sent each time CS counter equals 3.	0xFF
15	r/w	CSCNTDEVMSK	CSCNT interrupt mask during event. This bit allows to enable CSCNT interrupt generation during events (i.e advertising, scanning, initiating, and connection) 0: CSCNT Interrupt not generated during events. 1: CSCNT Interrupt generated during events.	0x1
14:9	-	-	Reserved	0x0
8	r/w	RADIOCNTRLINTMSK	Radio Controller interrupt mask 0: Interrupt not generated 1: Interrupt generated	0x0
7	r/w	FINETGTIMINTMSK	Fine Target Timer Mask 0: Interrupt not generated 1: Interrupt generated	0x0
6	r/w	GROSSTGTIMINT-MSK	Gross Target Timer Mask 0: Interrupt not generated 1: Interrupt generated	0x0
5	r/w	ERRORINTMSK	Error Interrupt Mask 0: Interrupt not generated 1: Interrupt generated	0x0
4	r/w	CRYPTINTMSK	Encryption / Decryption Interrupt Mask 0: Interrupt not generated 1: Interrupt generated	0x1
3	r/w	EVENTINTMSK	End of event Interrupt Mask 0: Interrupt not generated 1: Interrupt generated	0x1
2	r/w	SLPINTMSK	Sleep Mode Interrupt Mask 0: Interrupt not generated 1: Interrupt generated	0x1
1	r/w	RXINTMSK	Rx Interrupt Mask 0: Interrupt not generated 1: Interrupt generated	0x1

Table 29: BLE\_INTCNTL\_REG (0x4000000C)

Bit	Mode	Symbol	Description	Reset
0	r/w	CSCNTINTMSK	625usec Base Time Interrupt Mask 0: Interrupt not generated 1: Interrupt generated	0x1

Table 30: BLE\_INTSTAT\_REG (0x40000010)

Bit	Mode	Symbol	Description	Reset
31:9	-	-	Reserved	0x0
8	r	RADIOCNTLINT-STAT	Radio Controller interrupt status 0: No Gross Target Timer interrupt. 1: A Gross Target Timer interrupt is pending.	0x0
7	r	FINETGTIMINTSTAT	Masked Fine Target Timer Error interrupt status 0: No Fine Target Timer interrupt. 1: A Fine Target Timer interrupt is pending.	0x0
6	r	GROSSTGTIMINT-STAT	Masked Gross Target Timer interrupt status 0: No Gross Target Timer interrupt. 1: A Gross Target Timer interrupt is pending.	0x0
5	r	ERRORINTSTAT	Masked Error interrupt status 0: No Error interrupt. 1: An Error interrupt is pending.	0x0
4	r	CRYPTINTSTAT	Masked Encryption/Decryption interrupt status 0: No Encryption / Decryption interrupt. 1: An Encryption / Decryption interrupt is pending.	0x0
3	r	EVENTINTSTAT	Masked End of Event interrupt status 0: No End of Advertising / Scanning / Connection interrupt. 1: An End of Advertising / Scanning / Connection interrupt is pending.	0x0
2	r	SLPINTSTAT	Masked Sleep interrupt status 0: No End of Sleep Mode interrupt. 1: An End of Sleep Mode interrupt is pending.	0x0
1	r	RXINTSTAT	Masked Packet Reception interrupt status 0: No Rx interrupt. 1: An Rx interrupt is pending.	0x0
0	r	CSCNTINTSTAT	Masked 625us base time reference interrupt status 0: No 625us Base Time interrupt. 1: A 625us Base Time interrupt is pending.	0x0

Table 31: BLE\_INTRAWSTAT\_REG (0x40000014)

Bit	Mode	Symbol	Description	Reset
31:9	-	-	Reserved	0x0
8	r	RADIOCNTLIN-TRAWSTAT	Radio Controller interrupt raw status 0: No Gross Target Timer interrupt. 1: A Gross Target Timer interrupt is pending.	0x0
7	r	FINETGTIMINTRAW-STAT	Fine Target Timer Error interrupt raw status 0: No Fine Target Timer interrupt. 1: A Fine Target Timer interrupt is pending.	0x0
6	r	GROSSTGTIMIN-TRAWSTAT	Gross Target Timer interrupt raw status 0: No Gross Target Timer interrupt. 1: A Gross Target Timer interrupt is pending.	0x0



Table 31: BLE\_INTRAWSTAT\_REG (0x40000014)

Bit	Mode	Symbol	Description	Reset
5	r	ERRORINTRAW-STAT	Error interrupt raw status 0: No Error interrupt. 1: An Error interrupt is pending.	0x0
4	r	CRYPTINTRAWSTAT	Encryption/Decryption interrupt raw status 0: No Encryption / Decryption interrupt. 1: An Encryption / Decryption interrupt is pending.	0x0
3	r	EVENTINTRAWSTAT	End of Event interrupt raw status 0: No End of Advertising / Scanning / Connection interrupt. 1: An End of Advertising / Scanning / Connection interrupt is pending.	0x0
2	r	SLPINTRAWSTAT	Sleep interrupt raw status 0: No End of Sleep Mode interrupt. 1: An End of Sleep Mode interrupt is pending.	0x0
1	r	RXINTRAWSTAT	Packet Reception interrupt raw status 0: No Rx interrupt. 1: An Rx interrupt is pending.	0x0
0	r	CSCNINTRAW-STAT	625us base time reference interrupt raw status 0: No 625us Base Time interrupt. 1: A 625us Base Time interrupt is pending.	0x0

Table 32: BLE\_INTACK\_REG (0x40000018)

Bit	Mode	Symbol	Description	Reset
31:9	-	-	Reserved	0x0
8	w	RADIOCNTRLINTACK	Radio Controller interrupt acknowledgement bit Software writing 1 acknowledges the Error interrupt. This bit resets RADIOCNTRLINTSTAT and RADIOCNTRLINTRAW-STAT flags.	0x0
7	w	FINETGTIMINTACK	Fine Target Timer interrupt acknowledgement bit Software writing 1 acknowledges the Error interrupt. This bit resets FINETGTIMINTSTAT and FINETGTIMINTRAWSTAT flags.	0x0
6	w	GROSSTGTIMIN-TACK	Gross Target Timer interrupt acknowledgement bit Software writing 1 acknowledges the Error interrupt. This bit resets GROSSTGTIMINTSTAT and GROSSTGTIMIN-TRAWSTAT flags.	0x0
5	w	ERRORINTACK	Error interrupt acknowledgement bit Software writing 1 acknowledges the Error interrupt. This bit resets ERRORINTSTAT and ERRORINTRAWSTAT flags.	0x0
4	w	CRYPTINTACK	Encryption/Decryption interrupt acknowledgement bit Software writing 1 acknowledges the Encryption / Decryption interrupt. This bit resets CRYPTINTSTAT and CRYPTIN-TRAWSTAT flags.	0x0
3	w	EVENTINTACK	End of Event interrupt acknowledgment bit Software writing 1 acknowledges the End of Advertising / Scanning / Connection interrupt. This bit resets SLPINT-STAT and SLPINTRAWSTAT flags.	0x0
2	w	SLPINTACK	End of Deep Sleep interrupt acknowledgment bit Software writing 1 acknowledges the End of Sleep Mode interrupt. This bit resets SLPINTSTAT and SLPINTRAW-STAT flags.	0x0
1	w	RXINTACK	Packet Reception interrupt acknowledgment bit Software writing 1 acknowledges the Rx interrupt. This bit resets RXINTSTAT and RXINTRAWSTAT flags.	0x0

Table 32: BLE\_INTACK\_REG (0x40000018)

Bit	Mode	Symbol	Description	Reset
0	w	CSCNTINTACK	625us base time reference interrupt acknowledgment bit Software writing 1 acknowledges the CLKN interrupt. This bit resets CLKINTSTAT and CLKINTRAWSTAT flags.	0x0

Table 33: BLE\_BASETIMECNT\_REG (0x4000001C)

Bit	Mode	Symbol	Description	Reset
31:27	-	-	Reserved	0x0
26:0	r	BASETIMECNT	Value of the 625us base time reference counter. Updated each time BLE_SAMPLECLK_REG[SAMP] is written. Used by the SW in order to synchronize with the HW.	0x0

Table 34: BLE\_FINETIMECNT\_REG (0x40000020)

Bit	Mode	Symbol	Description	Reset
31:10	-	-	Reserved	0x0
9:0	r	FINECNT	Value of the current usec fine time reference counter. Updated each usec. Used by the SW in order to synchronize with the HW, and obtain a more precise sleep duration	0x0

Table 35: BLE\_BDADDRL\_REG (0x40000024)

Bit	Mode	Symbol	Description	Reset
31:0	r/w	BDADDRL	Bluetooth Low Energy Device Address. LSB part.	0x0

Table 36: BLE\_BDADDRU\_REG (0x40000028)

Bit	Mode	Symbol	Description	Reset
31:17	-	-	Reserved	0x0
16	r/w	PRIV_NPUB	Bluetooth Low Energy Device Address privacy indicator 0: Public Bluetooth Device Address 1: Private Bluetooth Device Address	0x0
15:0	r/w	BDADDRU	Bluetooth Low Energy Device Address. MSB part.	0x0

Table 37: BLE\_CURRENTRXDESCPTR\_REG (0x4000002C)

Bit	Mode	Symbol	Description	Reset
31:14	-	-	Reserved	0x0
13:0	r/w	CURRENTRX-DESCPTR	Rx Descriptor Pointer that determines the starting point of the Receive Buffer Chained List.	0x0

Table 38: BLE\_DEEPSLCNTL\_REG (0x40000030)

Bit	Mode	Symbol	Description	Reset
31	r/w	EXTWKUPDSB	External Wake-Up disable 0: BLE Core can be woken by external wake-up 1: BLE Core cannot be woken up by external wake-up	0x0
30:16	-	-	Reserved	0x0

Table 38: BLE\_DEEPSLCNTL\_REG (0x40000030)

Bit	Mode	Symbol	Description	Reset
15	r	DEEP_SLEEP_STAT	Indicator of current Deep Sleep clock mux status: 0: BLE Core is not yet in Deep Sleep Mode 1: BLE Core is in Deep Sleep Mode (only Low Power Clock is running)	0x0
14:5	-	-	Reserved	0x0
4	r/w	SOFT_WAKEUP_REQ	Wake Up Request from BLE Software. Applies when system is in Deep Sleep Mode. It wakes up the BLE Core when written with a 1. Always read as 0. No action happens if it is written with 0.	0x0
3	r/w	DEEP_SLEEP_CORR_EN	625us base time reference integer and fractional part correction. Applies when system has been woken-up from Deep Sleep Mode. It enables Fine Counter and Base Time counter when written with a 1. Always read as 0. No action happens if it is written with 0.	0x0
2	r/w	DEEP_SLEEP_ON	0: BLE Core in normal active mode 1: Request BLE Core to switch in deep sleep mode. This bit is reset on DEEP_SLEEP_STAT falling edge.	0x0
1:0	r/w	DEEP_SLEEP_IRQ_EN	Always set to "3" when DEEP_SLEEP_ON is set to "1". It controls the generation of BLE_WAKEUP_LP_IRQ.	0x0

Table 39: BLE\_DEEPSLWKUP\_REG (0x40000034)

Bit	Mode	Symbol	Description	Reset
31:0	r/w	DEEPSLTIME	Determines the time in Low Power Clock cycles to spend in Deep Sleep Mode before waking-up the device. This ensures a maximum of 37 hours and 16mn sleep mode capabilities at 32kHz. This ensures a maximum of 36 hours and 16mn sleep mode capabilities at 32.768kHz. If DEEPSLTIME is set to zero, the Deep Sleep Time duration is considered as infinite, and only wake up requests can restore active behavior BLE Software must ensure DEEPSLTIME value to be greater than 2 in order to cope with control resynchronization requirements	0x0

Table 40: BLE\_DEEPSLSTAT\_REG (0x40000038)

Bit	Mode	Symbol	Description	Reset
31:0	r	DEEPSLDUR	Actual duration of the last deep sleep phase measured in Low Power Clock cycles. DEEPSLDUR is set to zero at the beginning of the deep sleep phase, and is incremented at each Low Power Clock cycle until the end of the deep sleep phase.	0x0

Table 41: BLE\_ENBPRESET\_REG (0x4000003C)

Bit	Mode	Symbol	Description	Reset
31:21	r/w	TWEXT	Minimum and recommended value is "TWIRQ_RESET + 1". In the case of wake-up due to an external wake-up request, TWEXT specifies the time delay in low power oscillator cycles to deassert BLE_WAKEUP_LP_IRQ. Refer also to GP_CONTROL_REG[BLE_WAKEUP_REQ]. Range is [0...64 ms] for 32kHz; [0...62.5 ms] for 32.768kHz	0x0

Table 41: BLE\_ENBPRESET\_REG (0x4000003C)

Bit	Mode	Symbol	Description	Reset
20:10	r/w	TWIRQ_SET	Minimum value is "TWIRQ_RESET + 1". Time in low power oscillator cycles to set BLE_WAKEUP_LP_IRQ before the BLE sleep timer expiration. Refer also to BLE_DEEPSLWKUP_REG[DEEPSLTIME]. Range is [0...64 ms] for 32kHz; [0...62.5 ms] for 32.768kHz	0x0
9:0	r/w	TWIRQ_RESET	Recommended value is 1. Time in low power oscillator cycles to reset BLE_WAKEUP_LP_IRQ before the BLE sleep timer expiration. Refer also to BLE_DEEPSLWKUP_REG[DEEPSLTIME]. Range is [0...32 ms] for 32kHz; [0...31.25 ms] for 32.768kHz.	0x0

Table 42: BLE\_FINECNTCORR\_REG (0x40000040)

Bit	Mode	Symbol	Description	Reset
31:10	-	-	Reserved	0x0
9:0	r/w	FINECNTCORR	Phase correction value for the 625usec reference counter (i.e Fine Counter) in us.	0x0

Table 43: BLE\_BASETIMECNTCORR\_REG (0x40000044)

Bit	Mode	Symbol	Description	Reset
31:27	-	-	Reserved	0x0
26:0	r/w	BASETIMECNT-CORR	Base Time Counter correction value.	0x0

Table 44: BLE\_DIAGCNTL\_REG (0x40000050)

Bit	Mode	Symbol	Description	Reset
31	r/w	DIAG3_EN	0: Disable diagnostic port 3 output. All outputs are set to 0. 1: Enable diagnostic port 3 output.	0x0
30	-	-	Reserved	0x0
29:24	r/w	DIAG3	Only relevant when DIAG3_EN = 1. Selection of the outputs that must be driven to the diagnostic port 3.	0x0
23	r/w	DIAG2_EN	0: Disable diagnostic port 2 output. All outputs are set to 0. 1: Enable diagnostic port 2 output.	0x0
22	-	-	Reserved	0x0
21:16	r/w	DIAG2	Only relevant when DIAG2_EN = 1. Selection of the outputs that must be driven to the diagnostic port 2.	0x0
15	r/w	DIAG1_EN	0: Disable diagnostic port 1 output. All outputs are set to 0. 1: Enable diagnostic port 1 output.	0x0
14	-	-	Reserved	0x0
13:8	r/w	DIAG1	Only relevant when DIAG1_EN = 1. Selection of the outputs that must be driven to the diagnostic port 1.	0x0
7	r/w	DIAG0_EN	0: Disable diagnostic port 0 output. All outputs are set to 0. 1: Enable diagnostic port 0 output.	0x0
6	-	-	Reserved	0x0

Table 44: BLE\_DIAGCNTL\_REG (0x40000050)

Bit	Mode	Symbol	Description	Reset
5:0	r/w	DIAG0	Only relevant when DIAG0_EN = 1. Selection of the outputs that must be driven to the diagnostic port 0.	0x0

Table 45: BLE\_DIAGSTAT\_REG (0x40000054)

Bit	Mode	Symbol	Description	Reset
31:24	r	DIAG3STAT	Directly connected to ble_dbg3[7:0] output. Debug use only.	0x0
23:16	r	DIAG2STAT	Directly connected to ble_dbg2[7:0] output. Debug use only.	0x0
15:8	r	DIAG1STAT	Directly connected to ble_dbg1[7:0] output. Debug use only.	0x0
7:0	r	DIAG0STAT	Directly connected to ble_dbg0[7:0] output. Debug use only.	0x0

Table 46: BLE\_DEBUGADDMAX\_REG (0x40000058)

Bit	Mode	Symbol	Description	Reset
31:16	-	-	Reserved	0x0
15:0	r/w	ADDMAX	Upper limit for the memory zone.	0x0

Table 47: BLE\_DEBUGADMIN\_REG (0x4000005C)

Bit	Mode	Symbol	Description	Reset
31:16	-	-	Reserved	0x0
15:0	r/w	ADMIN	Lower limit for the memory zone.	0x0

Table 48: BLE\_ERRORYPESTAT\_REG (0x40000060)

Bit	Mode	Symbol	Description	Reset
31:12	-	-	Reserved	0x0
11	r	CSFORMAT_ERROR	Indicates whether CS-FORMAT has been programmed with an invalid value: this is a major software programming failure. 0: No error 1: Error occurred	0x0
10	r	CSTXPTR_ERROR	Indicates whether CS-TXPTR is null, this is a major software programming failure. 0: No error 1: Error occurred	0x0
9	-	-	Reserved	0x0
8	r	RADIO_EMACC_ERROR	Radio Controller Exchange Memory access error, happens when Exchange Memory access are not served in time and data are corrupted. 0: No error 1: Error occurred	0x0
7	r	LLCHMAP_ERROR	Link Layer Channel Map error, happens when actual number of CS-LLCHMAP bit set to one is different from CS-NBCH-GOOD at the beginning of Frequency Hopping process 0: No error 1: Error occurred	0x0

Table 48: BLE\_ERRORTYPESTAT\_REG (0x40000060)

Bit	Mode	Symbol	Description	Reset
6	r	IFS_UNDERRUN	Inter Frame Space Under run, occurs if IFS time is not enough to update and read Control Structure/Descriptors, and/or White List parsing is not finished and/or Decryption time is too long to be finished on time 0: No error 1: Error occurred	0x0
5	r	RXCRYPT_ERROR	Real Time Decryption Error, happens when decryption is not finished before IFS time 0: No error 1: Error occurred	0x0
4	r	WHITELIST_ERROR	White List Timeout Error, occurs if White List parsing is not finished on time 0: No error 1: Error occurred	0x0
3	r	APFM_ERROR	Anticipated Pre-Fetch Mechanism error, happens when 3 consecutive Exchange Table entry have been programmed, 0: no error 1: Error occurred	0x0
2	r	TXDESC_ERROR	Tx Descriptor Error, happens when fetched Tx Descriptor has TXDONE bit not set 0: No error 1: Error occurred	0x0
1	r	PKTCNTL_EMACC_ERROR	Packet Controller Exchange Memory access error, happens when Exchange Memory access are not served in time and Tx/Rx data are corrupted 0: No error 1: Error occurred	0x0
0	r	TXCRYPT_ERROR	Real Time Encryption Error, happens when encryption is not finished before Tx Payload has to be sent 0: No error 1: Error occurred	0x0

Table 49: BLE\_SWPROFILING\_REG (0x40000064)

Bit	Mode	Symbol	Description	Reset
31:0	r/w	SWPROFVAL	Software Profiling register: used by BLE Software for profiling purpose: this value is copied on Diagnostic port	0x0

Table 50: BLE\_RADIOCNTL0\_REG (0x40000070)

Bit	Mode	Symbol	Description	Reset
31:23	-	-	Reserved	0x0
22	r/w	DPCORR_EN	Enable the use of delayed DC compensated data path in Radio Correlator block 1: Enable 0: Disable Must be set to "0".	0x0
21:0	-	-	Reserved	0x2102

Table 51: BLE\_RADIOCNTL1\_REG (0x40000074)

Bit	Mode	Symbol	Description	Reset
31:21	-	-	Reserved	0x0

Table 51: BLE\_RADIOCNTRL1\_REG (0x40000074)

Bit	Mode	Symbol	Description	Reset
20:16	r/w	XRFSEL	Extended radio selection field, Must be set to '00011'.	0x0
15:0	-	-	Reserved	0x0

Table 52: BLE\_RADIOPWUPDN\_REG (0x40000080)

Bit	Mode	Symbol	Description	Reset
31	-	-	Reserved	0x0
30:24	r/w	RTRIP_DELAY	Defines round trip delay value. This value correspond to the addition of data latency in Tx and data latency in Rx. Value is in us.	0x0
23:16	r/w	RXPWRUP	This register holds the length in us of the Rx power up phase for the current radio device. Default value is 210 us (reset value). Operating range depends of the selected radio.	0xD2
15:12	-	-	Reserved	0x0
11:8	r/w	TXPWRDN	This register extends the length in us of the Tx power down phase for the current radio device. Default value is 3us (reset value). Operating range depends of the selected radio.	0x3
7:0	r/w	TXPWRUP	This register holds the length in us of the Tx power up phase for the current radio device. Default value is 210 us (reset value). Operating range depends of the selected radio.	0xD2

Table 53: BLE\_ADVCHMAP\_REG (0x40000090)

Bit	Mode	Symbol	Description	Reset
31:3	-	-	Reserved	0x0
2:0	r/w	ADVCHMAP	Advertising Channel Map, defined as per the advertising connection settings. Contains advertising channels index 37 to 39. If ADVCHMAP[i] equals: 0: Do not use data channel i+37. 1: Use data channel i+37.	0x7

Table 54: BLE\_ADVTIM\_REG (0x400000A0)

Bit	Mode	Symbol	Description	Reset
31:14	-	-	Reserved	0x0
13:0	r/w	ADVINT	Advertising Packet Interval defines the time interval in between two ADV_XXX packet sent. Value is in usec. Value to program depends of the used Advertising Packet type and the device filtering policy. Please refer to Table 3-10 for details about ADVINT programming range.	0x0

Table 55: BLE\_ACTSCANSTAT\_REG (0x400000A4)

Bit	Mode	Symbol	Description	Reset
31:25	-	-	Reserved	0x0
24:16	r/w	BACKOFF	Active scan mode back-off counter initialization value.	0x0
15:9	-	-	Reserved	0x0
8:0	r/w	UPPERLIMIT	Active scan mode upper limit counter value.	0x0



Table 56: BLE\_WLPUBADDPTR\_REG (0x400000B0)

Bit	Mode	Symbol	Description	Reset
31:16	-	-	Reserved	0x0
15:0	r/w	WLPUBADDPTR	Start address pointer of the public devices white list.	0x0

Table 57: BLE\_WLPRIVADDPTR\_REG (0x400000B4)

Bit	Mode	Symbol	Description	Reset
31:16	-	-	Reserved	0x0
15:0	r/w	WLPRIVADDPTR	Start address pointer of the private devices white list.	0x0

Table 58: BLE\_WLNBDEV\_REG (0x400000B8)

Bit	Mode	Symbol	Description	Reset
31:16	-	-	Reserved	0x0
15:8	r/w	NBPRIVDEV	Number of private devices in the white list.	0x0
7:0	r/w	NBPUBDEV	Number of public devices in the white list.	0x0

Table 59: BLE\_AESCNTRL\_REG (0x400000C0)

Bit	Mode	Symbol	Description	Reset
31:30	-	-	Reserved	0x0
0	r/w	AES_START	Writing a 1 starts AES-128 ciphering process. This bit is reset once the process is finished (i.e BLE_CRYPT_IRQ interrupt occurs, even masked)	0x0

Table 60: BLE\_AESKEY31\_0\_REG (0x400000C4)

Bit	Mode	Symbol	Description	Reset
31:0	r/w	AESKEY31_0	AES encryption 128-bit key. Bit 31 down to 0	0x0

Table 61: BLE\_AESKEY63\_32\_REG (0x400000C8)

Bit	Mode	Symbol	Description	Reset
31:0	r/w	AESKEY63_32	AES encryption 128-bit key. Bit 63 down to 32	0x0

Table 62: BLE\_AESKEY95\_64\_REG (0x400000CC)

Bit	Mode	Symbol	Description	Reset
31:0	r/w	AESKEY95_64	AES encryption 128-bit key. Bit 95 down to 64	0x0

Table 63: BLE\_AESKEY127\_96\_REG (0x400000D0)

Bit	Mode	Symbol	Description	Reset
31:0	r/w	AESKEY127_96	AES encryption 128-bit key. Bit 127 down to 96	0x0

Table 64: BLE\_AESPTR\_REG (0x400000D4)

Bit	Mode	Symbol	Description	Reset
31:16	-	-	Reserved	0x0

Table 64: BLE\_AESPTR\_REG (0x400000D4)

Bit	Mode	Symbol	Description	Reset
15:0	r/w	AESPTR	Pointer to the memory zone where the block to encrypt/decrypt is stored.	0x0

Table 65: BLE\_TXMICVAL\_REG (0x400000D8)

Bit	Mode	Symbol	Description	Reset
31:0	r	TXMICVAL	AES / CCM plain MIC value. Valid on BLE_CRYPT_IRQ interrupt (even masked)	0x0

Table 66: BLE\_RXMICVAL\_REG (0x400000DC)

Bit	Mode	Symbol	Description	Reset
31:0	r	RXMICVAL	AES / CCM plain MIC value. Valid on BLE_CRYPT_IRQ interrupt (even masked)	0x0

Table 67: BLE\_RFTESTCNTL\_REG (0x400000E0)

Bit	Mode	Symbol	Description	Reset
31	r/w	INFINITERX	Applicable for all frame format 0: Normal mode of operation 1: Infinite Rx window	0x0
30:16	-	-	Reserved	0x0
15	r/w	INFINITETX	Applicable for all frame format 0: Normal mode of operation. 1: Infinite Tx packet / Normal start of a packet but endless payload In case of infinite Tx payload, and when PRBS source is not selected, then RFTESTCNTL-TXLENGTH field provides the length of the pattern to repeat in the payload.	0x0
14	r/w	TXLENGTHSRC	Applicable only in Tx/Rx RF Test mode 0: Normal mode of operation: TXDESC-TXADVLEN controls the Tx packet payload size 1: Uses RFTESTCNTL-TXLENGTH packet length (can support up to 512 bytes transmit)	0x0
13	r/w	PRBSTYPE	Applicable only in Tx/Rx RF Test mode 0: Tx Packet Payload are PRBS9 type 1: Tx Packet Payload are PRBS15 type PRBS9 is defined as $p(x)=1+x^5+x^9$ . The LFSR used for the PRBS9 generator must be initialized with 0x1FF value. PRBS15 is defined as $p(x)=1+x+x^2+x^{12}+x^{13}+x^{14}$ . The LFSR used for the PRBS15 generator must be initialized with 0x7FFF value.	0x0
12	r/w	TXPLDSRC	Applicable only in Tx/Rx RF Test mode 0: Tx Packet Payload source is the Control Structure 1: Tx Packet Payload are PRBS generator	0x0
11:9	-	-	Reserved	0x0
8:0	r/w	TXLENGTH	Applicable only in Tx/Rx RF Test mode Tx packet length in number of byte	0x0

Table 68: BLE\_TIMGENCTL\_REG (0x400000F0)

Bit	Mode	Symbol	Description	Reset
31:8	-	-	Reserved	0x0
7:0	r/w	PREFTECH_TIME	Defines Exchange Table pre-fetch instant in us	0x0

Table 69: BLE\_GROSSTIMTGT\_REG (0x400000F4)

Bit	Mode	Symbol	Description	Reset
31:16	-	-	Reserved	0x0
15:0	r/w	GROSSTARGET	Gross Timer Target value on which a BLE_GROSSTGTIM_IRQ must be generated. This timer has a precision of 10ms: interrupt is generated only when GROSSTARGET[15:0] = BASETIMECNT[19:4] and BASETIMECNT[3:0] = 0.	0x0

Table 70: BLE\_FINETIMTGT\_REG (0x400000F8)

Bit	Mode	Symbol	Description	Reset
31:27	-	-	Reserved	0x0
26:0	r/w	FINETARGET	Fine Timer Target value on which a BLE_FINETGTIM_IRQ must be generated. This timer has a precision of 625us: interrupt is generated only when FINETARGET = BASETIMECNT	0x0

Table 71: BLE\_SAMPLECLK\_REG (0x400000FC)

Bit	Mode	Symbol	Description	Reset
31:30	-	-	Reserved	0x0
0	r/w	SAMP	Writing a 1 samples the Base Time Counter value in BASETIMECNT register. Resets at 0 when action is performed.	0x0

Table 72: BLE\_CNTL2\_REG (0x40000200)

Bit	Mode	Symbol	Description	Reset
31:22	-	-	Reserved	0x0
21	r/w	BLE_RSSI_SEL	0: Select Peak-hold RSSI value (default). 1: Select current Average RSSI value.	0x0
20	r	WAKEUPLPSTAT	The status of the BLE_WAKEUP_LP_IRQ. The Interrupt Service Routine of BLE_WAKEUP_LP_IRQ should return only when the WAKEUPLPSTAT is cleared. Note that BLE_WAKEUP_LP_IRQ is automatically acknowledged after the power up of the Radio Subsystem, plus one Low Power Clock period.	0x0
19	r/w	SW_RPL_SPI	Keep to 0.	0x0
18	r/w	BB_ONLY	Keep to 0.	0x0
17	r/w	RADIO_ONLY	Keep to 0.	0x0
16:15	-	-	Reserved	0x0

Table 72: BLE\_CNTL2\_REG (0x40000200)

Bit	Mode	Symbol	Description	Reset
14:9	r/w	BLE_CLK_SEL	<p>BLE Clock Select.</p> <p>Specifies the BLE master clock absolute frequency in MHz. Typical values are 16 and 8.</p> <p>Value depends on the selected XTAL frequency and the value of CLK_RADIO_REG[BLE_DIV] bitfield. For example, if XTAL oscillates at 16MHz and CLK_RADIO_REG[BLE_DIV] = 1 (divide by 2), then BLE master clock frequency is 8MHz and BLE_CLK_SEL should be set to value 8.</p> <p>The selected BLE master clock frequency (affected by BLE_DIV and BLE_CLK_SEL) must be modified and set only during the initialization time, i.e. before setting BLE_RWBTL2_CNTL2_REG[RWBLE_EN] to 1.</p> <p>Refer also to BLE_RWBTL2_CONF_REG[CLK_SEL].</p>	0x0
8	r	RADIO_PWRDN_ALLOW	<p>This active high signal indicates when it is allowed for the BLE core (embedded in the Radio sub-System power domain) to be powered down.</p> <p>After the assertion of the BLE_DEEPSLCNTL2_REG[DEEP_SLEEP_ON] a hardware sequence based on the Low Power clock will cause the assertion of RADIO_PWRDN_ALLOW. The RADIO_PWRDN_ALLOW will be cleared to "0" when the BLE core exits from the sleep state, i.e. when the BLE_SLP_IRQ will be asserted.</p>	0x0
7	r/w	MON_LP_CLK	<p>The SW can only write a "0" to this bit.</p> <p>Whenever a positive edge of the low power clock used by the BLE Timers is detected, then the HW will automatically set this bit to "1". This functionality will not work if BLE Timer is in reset state (refer to CLK_RADIO_REG[BLE_LP_RESET]).</p> <p>This bit can be used for SW synchronization, to debug the low power clock, etc.</p>	0x0
6	r	BLE_CLK_STAT	<p>0: BLE uses low power clock</p> <p>1: BLE uses master clock</p>	0x0
5	r/w	DIAGPORT_REVERSE	<p>BLE/RADIO Diagnostic Port Reverse order.</p> <p>When this bit is "1", the mapping of the diagnostic bus DIAGPORT[7:0] (controlled by DIAGPORT_SEL) to GPIOs (controlled by Pxy_MODE_REG[PID]) is reversed. The mapping is:</p> <p>If "0" then DIAGPORT[7] is mapped to P0[7], etc. DIAGPORT[4] is mapped to P0[4], DIAGPORT[3] is mapped to P0[3] and P1[3], etc. and DIAGPORT[0] is mapped to P0[0] and P1[0].</p> <p>If "1" then DIAGPORT[7] is mapped to P0[0] and P1[0], etc. DIAGPORT[4] is mapped to P0[3] and P1[3], DIAGPORT[3] is mapped to P0[4], etc. and DIAGPORT[0] is mapped to P0[7].</p>	0

Table 72: BLE\_CNTL2\_REG (0x40000200)

Bit	Mode	Symbol	Description	Reset
4:3	r/w	DIAGPORT_SEL	<p>BLE/RADIO Diagnostic Port Selection.</p> <p>Controls the multiplexing of the internal diagnostic signals towards the 8-bit diagnostic bus DIAGPORT[7:0]. The DIAGPORT[7:0] bit order may or may not be reversed by using the DIAGPORT_REVERSE bitfield and then it will be directed to the GPIOs P0[7:0] and P1[3:0]. (Note that the P1[3:0] diagnostic signals are the same with P0[3:0] signals.)</p> <p>The DIAGPORT[7:0] value, depending on the DIAGPORT_SEL value, is:            00: {BLE_DIAG2[7:5], BLE_DIAG1[4:3], BLE_DIAG0[2:0]}            01: {BLE_DIAG2[7:5], BLE_DIAG1[4:3], BLE_DIAG0[2], wakeup_lp_irq, deep_sleep_stat_32k}            10: RADIO_DIAG0[7:0]            11: RADIO_DIAG1[7:0]</p>	0x0
2	r/w	EMACCERRMSK	<p>Exchange Memory Access Error Mask:            When cleared to "0" the EM_ACC_ERR will not cause an BLE_ERROR_IRQ interrupt.            When set to "1" an BLE_ERROR_IRQ will be generated as long as EM_ACC_ERR is "1".</p>	0x1
1	w	EMACCERRACK	<p>Exchange Memory Access Error Acknowledge.            When the SW writes a "1" to this bit then the EMACCERRSTAT bit will be cleared.            When the SW writes "0" it will have no affect.            The read value is always "0".</p>	0x0
0	r	EMACCERRSTAT	<p>Exchange Memory Access Error Status:            The bit is read-only and can be cleared only by writing a "1" at EMACCERRACK bitfield.            This bit will be set to "1" by the hardware when the controller will access an EM page that is not mapped according to the EM_MAPPING value.            When this bit is "1" then the BLE_ERROR_IRQ will be asserted as long as EMACCERRMSK is "1".</p>	0x0

Table 73: BLE\_RF\_DIAGIRQ\_REG (0x40000204)

Bit	Mode	Symbol	Description	Reset
31	r	DIAGIRQ_STAT_3	Same as DIAGIRQ_STAT_0.	0
30	r/w	DIAGIRQ_EDGE_3	Same as DIAGIRQ_EDGE_0.	0
29:27	r/w	DIAGIRQ_BSEL_3	Same as DIAGIRQ_BSEL_0.	0
26:25	r/w	DIAGIRQ_WSEL_3	Same as DIAGIRQ_WSEL_0.	0
24	r/w	DIAGIRQ_MASK_3	Same as DIAGIRQ_MASK_0.	0
23	r	DIAGIRQ_STAT_2	Same as DIAGIRQ_STAT_0.	0
22	r/w	DIAGIRQ_EDGE_2	Same as DIAGIRQ_EDGE_0.	0
21:19	r/w	DIAGIRQ_BSEL_2	Same as DIAGIRQ_BSEL_0.	0
18:17	r/w	DIAGIRQ_WSEL_2	Same as DIAGIRQ_WSEL_0.	0
16	r/w	DIAGIRQ_MASK_2	Same as DIAGIRQ_MASK_0.	0
15	r	DIAGIRQ_STAT_1	Same as DIAGIRQ_STAT_0.	0
14	r/w	DIAGIRQ_EDGE_1	Same as DIAGIRQ_EDGE_0.	0
13:11	r/w	DIAGIRQ_BSEL_1	Same as DIAGIRQ_BSEL_0.	0
10:9	r/w	DIAGIRQ_WSEL_1	Same as DIAGIRQ_WSEL_0.	0
8	r/w	DIAGIRQ_MASK_1	Same as DIAGIRQ_MASK_0.	0

Table 73: BLE\_RF\_DIAGIRQ\_REG (0x40000204)

Bit	Mode	Symbol	Description	Reset
7	r	DIAGIRQ_STAT_0	Diagnostic IRQ Status 0  This bit is read only. It is automatically cleared to "0" on each read of the BLE_RF_DIAGIRQ_REG register. It is automatically asserted to "1" on each detection of the selected edge, of the selected bit, of the selected word.	0
6	r/w	DIAGIRQ_EDGE_0	Diagnostic IRQ Edge 0  Selects the edge of the selected bit (refer to DIAGIRQ_BSEL_0) that will trigger the assertion of DIAGIRQ_STAT_0.  If '0' then the positive edge is selected, when "1" the negative edge is selected.	0
5:3	r/w	DIAGIRQ_BSEL_0	Diagnostic IRQ Bit Select 0  Selects the bit of the 8-bit bus (as selected by the DIAGIRQ_WSEL_0) that will be used for the IRQ generation.	0
2:1	r/w	DIAGIRQ_WSEL_0	Diagnostic IRQ Word Select 0  Selects the 8-bit diagnostic bus that will be used for the IRQ generation.  00: Selects the BLE_DIAG0 01: Selects the BLE_DIAG1 10: Selects the RADIO_DIAG0 11: Selects the RADIO_DIAG1	0
0	r/w	DIAGIRQ_MASK_0	Diagnostic IRQ Mask 0  When set to "1" a BLE_RF_DIAG_IRQ will be generated on each rise of the DIAGIRQ_STAT_0 bit.  When cleared to "0" no IRQ will be generated.	0

Table 74: OTPC\_MODE\_REG (0x40008000)

Bit	Mode	Symbol	Description	Reset
31:30	-	-	Reserved	0x0
29:28	r/w	OTPC_MODE_PRG_PORT_MUX	Selects the source that is connected to the prg_port port of the controller. 00 - {16'd0, BANDGAP_REG[15:0]} 01 - {RF_RSSI_COMP_CTRL_REG[15:0], 8'd0, RFIO_CTRL1_REG[7:0]} 10 - {3'd0, RF_LNA_CTRL3_REG[4:0], RF_LNA_CTRL2_REG[11:0], RF_LNA_CTRL1_REG[11:0]} 11 - {28'd0, RF_VCO_CTRL_REG[3:0]}  See OTPC_MODE_PRG_PORT_SEL about the use of the prg_port	0x0
27:9	-	-	Reserved	0x0
8	r/w	OTPC_MODE_PRG_FAST	Defines the timing that will be used for all the programming activities (APROG, MPROG and TWR) 0 - Selects the normal timing 1 - Selects the fast timing	0

Table 74: OTPC\_MODE\_REG (0x40008000)

Bit	Mode	Symbol	Description	Reset
7	r/w	OTPC_MODE_PRG_PORT_SEL	Selects an alternative data source for the programming of the OTP macrocells, when the controller is configured in APROG mode. 0 - The fifo will be used as the data source. The fifo will be filled with a way defined by the register OTPC_MODE_USE_DMA. The number of words that will be programmed is defined by OTPC_NWORDS. 1 - Only one word will programmed. The value of the word is contained in the prg_port port of the controller. The values of the registers OTPC_MODE_USE_DMA, OTPC_NWORDS and the contents of the FIFO will not be used.	0x0
6	r/w	OTPC_MODE_TWO_CC_ACC	Defines the duration of each read from the OTP macrocells. 0 - Reads 16 bits of data every one clock cycle. 1 - Reads 16 bits of data every two clock cycles.	0x0
5	r/w	OTPC_MODE_FIFO_FLUSH	Writing 1, removes any content from the FIFO. This bit returns automatically to 0.	0x0
4	r/w	OTPC_MODE_USE_DMA	Selects the use of the dma, when the controller is configured in one of the modes: AREAD or APROG. 0 - DMA is not used. The data should be transferred from/to controller through OTPC_FFPRT_REG 1 - DMA is used. Data transfers from/to controller are performed automatically. The AHB base address should be configured in OTPC_AHBADR_REG before the selection of the mode. If programming of the OTPC_MODE_REG is performed through the serial interface, the OTPC_MODE_USE_DMA will be set to 0 automatically. If the controller is in APROG mode and the OTPC_MODE_PRG_PORT_SEL is enabled, the dma will stay inactive.	0x0
3	-	-	Reserved	0x0
2:0	r/w	OTPC_MODE_MODE	Defines the mode of operation of the OTPC controller. The encoding of the modes is as follows: 000 - STBY mode 001 - MREAD mode 010 - MPROG mode 011 - AREAD mode 100 - APROG mode 101 - Test mode. Reserved 110 - Test mode. Reserved 111 - Test mode. Reserved To manually move between modes, always return to STBY mode first.	0x0

Table 75: OTPC\_PCTRL\_REG (0x40008004)

Bit	Mode	Symbol	Description	Reset
31:28	-	-	Reserved	0x0
27	r/w	OTPC_PCTRL_ENU	Enables the programming in the upper bank of the OTP. 0 - Programming sequence is not applied in the upper bank. 1 - Programming sequence is applied in the upper bank.	0x0
26	r/w	OTPC_PCTRL_BITU	Defines the value of the selected bit in the upper bank, after the programming sequence.	0x0



Table 75: OTPC\_PCTRL\_REG (0x40008004)

Bit	Mode	Symbol	Description	Reset
25	r/w	OTPC_PCTRL_ENL	Enables the programming in the lower bank. 0 - The programming sequence is not applied in the lower bank. 1 - The programming sequence is applied in the lower bank.	0x0
24	r/w	OTPC_PCTRL_BITL	Defines the value of the selected bit in the lower bank, after the programming sequence.	0x0
23	r/w	OTPC_PCTRL_BSE LU	Selects between the U1 and U0 byte for the programming sequence in the upper bank. 0 - Program the U0 byte 1 - Program the U1 byte	0x0
22:20	r/w	OTPC_PCTRL_BAD RU	Selects the bit inside the Ux (x=0,1) byte, which will be programmed in the upper bank.	0x0
19	r/w	OTPC_PCTRL_BSE LL	Selects between the L1 and L0 byte for the programming sequence in the lower bank. 0 - Program the L0 byte 1 - Program the L1 byte	0x0
18:16	r/w	OTPC_PCTRL_BAD RL	Selects the bit inside the Lx (x=0,1) byte, which will be programmed in the lower bank.	0x0
15:13	-	-	Reserved	0x0
12:0	r/w	OTPC_PCTRL_WADDR	Defines the address of a 32 bits word {U1,L1,U0,L0} in the macrocells, where one or two bits will be programmed. There are two macrocell banks, with 8 bits each. Each bank contribute with two memory positions for each 32 bits word. The Ux, Lx represent the bytes of the upper and lower bank respectively.	0x0

Table 76: OTPC\_STAT\_REG (0x40008008)

Bit	Mode	Symbol	Description	Reset
31:29	-	-	Reserved	0x0
28:16	r	OTPC_STAT_NWORDS	Contains the current value of the words to be processed.	0
15	r	OTPC_STAT_TERR_U	Indicates the upper bank as the source of a test error. This value is valid when OTPC_STAT_TERROR is valid. 0 - There is no test error in the upper bank 1 - A test error has occurred in the upper bank	0x0
14	r	OTPC_STAT_TERR_L	Indicates the lower bank as the source of a test error. The value is valid when OTPC_STAT_TERROR is valid. 0 - There is no test error in the lower bank 1 - A test error has occurred in the lower bank	0x0
13	r	OTPC_STAT_PERR_U	Indicates the upper bank as the source of a programming error. The value is valid when OTPC_STAT_PERROR is valid. 0 - There is no programming error in the upper bank 1 - A programming error has occurred in the upper bank	0x0
12	r	OTPC_STAT_PERR_L	Indicates the lower bank as the source of a programming error. The value is valid when OTPC_STAT_PERROR is valid. 0 - There is no programming error in the lower bank 1 - A programming error has occurred in the lower bank	0x0
11:8	r	OTPC_STAT_FWORDS	Indicates the number of words which contained in the fifo of the controller.	0x0
7:5	-	-	Reserved	0x0

Table 76: OTPC\_STAT\_REG (0x40008008)

Bit	Mode	Symbol	Description	Reset
4	r	OTPC_STAT_ARDY	Monitors the progress of read or programming operations while in the AREAD or APROG modes. 0 - The controller is busy while reading or programming (AREAD or APROG modes). 1 - The controller is not busy in AREAD or APROG mode.	0x1
3	r	OTPC_STAT_TERR OR	Indicates the result of a test sequence. Should be checked after the end of a TBLANK, TDEC and TWR mode (OTPC_STAT_TRDY= 1). 0 - The test sequence ends with no error. 1 - The test sequence has failed.	0x0
2	r	OTPC_STAT_TRDY	Indicates the state of a test mode. Should be used to monitor the progress of the TBLANK, TDEC and TWR modes. 0 - The controller is busy. A test mode is in progress. 1 - There is no active test mode.	0x1
1	r	OTPC_STAT_PERR OR	Indicates that an error has occurred during the bit-programming process. 0 - No error during the bit-programming process. 1 - The process of bit-programming failed. When the controller is in MPROG mode, this bit should be checked after the end of the programming process (OTPC_STAT_PRDY= 1). During APROG mode, the value of this field is normal to change periodically. Upon finishing the operation in the APROG mode (OTPC_STAT_ARDY= 1), this field indicates if the programming has failed or ended successfully.	0x0
0	r	OTPC_STAT_PRDY	Indicates the state of a bit-programming process. 0 - The controller is busy. A bit-programming is in progress 1 - The logic which performs bit-programming is idle. When the controller is in MPROG mode, this bit should be used to monitor the progress of a programming request. During APROG mode, the value of this field it is normal to changing periodically.	0x1

Table 77: OTPC\_AHBADR\_REG (0x4000800C)

Bit	Mode	Symbol	Description	Reset
31:2	r/w	OTPC_AHBADR	The AHB address used by the AHB master interface of the controller ( bits [31:2]).	0x0
1:0	-	-	Reserved	0x0

Table 78: OTPC\_CELADR\_REG (0x40008010)

Bit	Mode	Symbol	Description	Reset
31:13	-	-	Reserved	0x0
12:0	r/w	OTPC_CELADR	Defines a word address inside the macrocell. Used in modes AREAD and APROG and is automatically updated.	0x0

Table 79: OTPC\_NWORDS\_REG (0x40008014)

Bit	Mode	Symbol	Description	Reset
31:13	-	-	Reserved	0x0

Table 79: OTPC\_NWORDS\_REG (0x40008014)

Bit	Mode	Symbol	Description	Reset
12:0	r/w	OTPC_NWORDS	The number of words (minus one) for reading/programming during the AREAD/APROG mode. If in APROG mode, and the OTPC_MODE_PRG_PORT_SEL is enabled (=1), this register will not be used and will stay unchanged. During mirroring, this register reflects the current amount of data that will be copied. It keeps its value until be written by the software with a new value. The number of the words that remaining to be processed by the controller is contained in the field OTPC_STAT_NWORDS.	0x0

Table 80: OTPC\_FFPRT\_REG (0x40008018)

Bit	Mode	Symbol	Description	Reset
31:0	r/w	OTPC_FFPRT	Provides access to the fifo through an access port. Write this register with the corresponding data, when the APROG mode is selected and the DMA is disabled. Read from this register the corresponding data, when the AREAD mode is selected and the DMA is disabled. Check OTPC_STAT_FWORDS register for data/space availability, before accessing the fifo.	0x0

Table 81: OTPC\_FFRD\_REG (0x4000801C)

Bit	Mode	Symbol	Description	Reset
31:0	r	OTPC_FFRD	Contains the value read from the fifo, after a read of the OTPC_FFPRT_REG register.	0x0

Table 82: CLK\_AMBA\_REG (0x50000000)

Bit	Mode	Symbol	Description	Reset
15:8	-	-	Reserved	0x0
7	r/w	OTP_ENABLE	Clock enable for OTP controller	0x0
6	-	-	Reserved	0x0
5:4	r/w	PCLK_DIV	APB interface clock (PCLK). Divider is cascaded with HCLK_DIV. PCLK is HCLK divided by: 0x0: divide by 1 0x1: divide by 2 0x2: divide by 4 0x3: divide by 8	0x2
3:2	-	-	Reserved	0x0
1:0	r/w	HCLK_DIV	AHB interface and microprocessor clock (HCLK). HCLK is source clock divided by: 0x0: divide by 1 0x1: divide by 2 0x2: divide by 4 0x3: divide by 8	0x2

Table 83: CLK\_FREQ\_TRIM\_REG (0x50000002)

Bit	Mode	Symbol	Description	Reset
15:11	-	-	Reserved	0x0

Table 83: CLK\_FREQ\_TRIM\_REG (0x50000002)

Bit	Mode	Symbol	Description	Reset
10:8	r/w	COARSE_ADJ	Xtal frequency course trimming register. 0x0: lowest frequency 0x7: highest frequency Increment or decrement the binary value with 1. Wait approximately 200 us to allow the adjustment to settle.	0x0
7:0	r/w	FINE_ADJ	Xtal frequency fine trimming register. 0x00: lowest frequency 0xFF: highest frequency	0x0

Table 84: CLK\_PER\_REG (0x50000004)

Bit	Mode	Symbol	Description	Reset
15	r/w	QUAD_ENABLE	Enable the Quadrature clock	0x0
14:12	-	-	Reserved	0x0
11	r/w	SPI_ENABLE	Enable SPI clock	0x0
10	-	-	Reserved	0x0
9:8	r/w	SPI_DIV	Division factor for SPI 0x0: divide by 1 0x1: divide by 2 0x2: divide by 4 0x3: divide by 8	0x0
7	r/w	UART1_ENABLE	Enable UART1 clock	0x0
6	r/w	UART2_ENABLE	Enable UART2 clock	0x0
5	r/w	I2C_ENABLE	Enable I2C clock	0x0
4	r/w	WAKEUPCT_ENABLE	Enable Wakeup CaptureTimer clock	0x0
3	r/w	TMR_ENABLE	Enable TIMER0 and TIMER2 clock	0x0
2	-	-	Reserved	0x0
1:0	r/w	TMR_DIV	Division factor for TIMER0 0x0: divide by 1 0x1: divide by 2 0x2: divide by 4 0x3: divide by 8	0x0

Table 85: CLK\_RADIO\_REG (0x50000008)

Bit	Mode	Symbol	Description	Reset
15:8	-	-	Reserved	0x0
7	r/w	BLE_ENABLE	Enable the BLE core clocks	0x0
6	r/w	BLE_LP_RESET	Reset for the BLE LP timer	0x1
5:4	r/w	BLE_DIV	Division factor for BLE core blocks 0x0: divide by 1 0x1: divide by 2 0x2: divide by 4 0x3: divide by 8 The programmed frequency should not be lower than 8 MHz and not faster than the programmed CPU clock frequency. Refer also to BLE_CNTL2_REG[BLE_CLK_SEL].	0x0
3	r/w	RFCU_ENABLE	Enable the RF control Unit clock	0x0
2	-	-	Reserved	0x0

Table 85: CLK\_RADIO\_REG (0x50000008)

Bit	Mode	Symbol	Description	Reset
1:0	r/w	RFCU_DIV	Division factor for RF Control Unit 0x0: divide by 1 0x1: divide by 2 0x2: divide by 4 0x3: divide by 8 The programmed frequency must be exactly 8 MHz.	0x0

Table 86: CLK\_CTRL\_REG (0x5000000A)

Bit	Mode	Symbol	Description	Reset
15:8	-	-	Reserved	0x0
7	r	RUNNING_AT_XTAL16M	Indicates that the XTAL16M clock is used as clock, and may not be switched off	0x1
6	r	RUNNING_AT_RC16M	Indicates that the RC16M clock is used as clock	0x0
5	r	RUNNING_AT_32K	Indicates that either the RC32k or XTAL32k is being used as clock	0x0
4	-	-	Reserved	0x0
3	r/w	XTAL16M_SPIKE_FLT_DISABLE	Disable spikefilter in digital clock	0x0
2	r/w	XTAL16M_DISABLE	Setting this bit instantaneously disables the 16 MHz crystal oscillator. Also, after sleep/wakeup cycle, the oscillator will not be enabled. This bit may not be set to '1' when "RUNNING_AT_XTAL16M is '1' to prevent deadlock. After resetting this bit, wait for XTAL16_SETTLED or XTAL16_TRIM_READY to become '1' before switching to XTAL16 clock source.	0x0
1:0	r/w	SYS_CLK_SEL	Selects the clock source. 0x0: XTAL16M (check the XTAL16_SETTLED and XTAL16_TRIM_READY bits!!) 0x1: RC16M 0x2/0x3: either RC32k or XTAL32k is used	0x0

Table 87: PMU\_CTRL\_REG (0x50000010)

Bit	Mode	Symbol	Description	Reset
15:12	-	-	Reserved	0x0
11:8	r/w	RETENTION_MODE	Select the retainability of the 4 retention RAM macros. '1' is retainable, '0' is power gated. (3) is RETRAM4 (2) is RETRAM3 (1) is RETRAM2 (0) is RETRAM1	0x0
7	r/w	FORCE_BOOST	Force the DC-DC into boost mode at next wakeup. Setting this bit reduces the deepsleep current. FORCE_BOOST has highest priority. When either FORCE_BOOST or FORCE_BUCK have been written, these bits cannot be changed.	0x0
6	r/w	FORCE_BUCK	Force the DC-DC into buck mode at next wakeup. Setting this bit reduces the deepsleep current. FORCE_BOOST has highest priority. When either FORCE_BOOST or FORCE_BUCK have been written, these bits cannot be changed.	0x0

Table 87: PMU\_CTRL\_REG (0x50000010)

Bit	Mode	Symbol	Description	Reset
5:4	r/w	OTP_COPY_DIV	Sets the HCLK division during OTP mirroring	0x0
2	r/w	RADIO_SLEEP	Put the digital part of the radio in powerdown	0x1
1	r/w	PERIPH_SLEEP	Put all peripherals (I2C, UART, SPI, ADC) in powerdown	0x1
0	r/w	RESET_ON_WAKEUP	Perform a Hardware Reset after waking up. Booter will be started.	0x0

Table 88: SYS\_CTRL\_REG (0x50000012)

Bit	Mode	Symbol	Description	Reset
15	w	SW_RESET	Writing a '1' to this bit will reset the device, except for: SYS_CTRL_REG CLK_FREQ_TRIM_REG ...	0x0
9	r/w	TIMEOUT_DISABLE	Disables timeout in Power statemachine. By default, the statemachine continues if after 2 ms the blocks are not started up. This can be read back from ANA_STATUS_REG.	0x0
8	-	-	Reserved	0x0
7	r/w	DEBUGGER_ENABLE	Enable the debugger. This bit is set by the booter according to the OTP header. If not set, the SWDIO and SW_CLK can be used as gpio ports.	0x0
6	r/w	OTPC_RESET_REQ	Reset request for the OTP controller.	0x0
5	r/w	PAD_LATCH_EN	Latches the control signals of the pads for state retention in powerdown mode. 0: Control signals are retained 1: Latch is transparent, pad can be recontrolled	0x1
4	r/w	OTP_COPY	Enables OTP to SysRAM copy action after waking up PD_SYS	0x0
3	r/w	CLK32_SOURCE	Sets the clock source of the 32 kHz clock 0 = RC-oscillator 1 = 32 kHz crystal oscillator	0x0
2	r/w	RET_SYSRAM	Sets the development phase mode. The PD_SYS is not actually power gated (SysRAM is retained). No copy action to SysRAM is done when the system wakes up. For emulating startup time, the OTP_COPY bit still needs to be set.	0x0
1:0	r/w	REMAP_ADR0	Controls which memory is located at address 0x0000 for execution. 0x0: ROM 0x1: OTP 0x2: SysRAM 0x3: RetRAM	0x0

Table 89: SYS\_STAT\_REG (0x50000014)

Bit	Mode	Symbol	Description	Reset
15:8	-	-	Reserved	0x0
7	r	XTAL16_SETTLED	Indicates that XTAL16 has had > 2 ms of settle time	0x0
6	r	XTAL16_TRIM_READY	Indicates that XTAL trimming mechanism is ready, i.e. the trimming equals CLK_FREQ_TRIM_REG.	0x1

Table 89: SYS\_STAT\_REG (0x50000014)

Bit	Mode	Symbol	Description	Reset
5	r	DBG_IS_UP	Indicates that PD_DBG is functional	0x0
4	r	DBG_IS_DOWN	Indicates that PD_DBG is in power down	0x1
3	r	PER_IS_UP	Indicates that PD_PER is functional	0x0
2	r	PER_IS_DOWN	Indicates that PD_PER is in power down	0x1
1	r	RAD_IS_UP	Indicates that PD_RAD is functional	0x0
0	r	RAD_IS_DOWN	Indicates that PD_RAD is in power down	0x1

Table 90: TRIM\_CTRL\_REG (0x50000016)

Bit	Mode	Symbol	Description	Reset
7:4	r/w	TRIM_TIME	Defines the delay between XTAL16M enable and applying the CLK_FREQ_TRIM_REG in steps of 250 us. 0x0: apply directly 0x1: wait between 0 and 250 us 0x2: wait between 250 us and 500 us etc. <b>(Note 17)</b>	0xA
3:0	r/w	SETTLE_TIME	Defines the delay between applying CLK_FREQ_TRIM_REG and XTAL16_SETTLED in steps of 250 us. 0x0: XTAL16_SETTLED is set directly 0x1: wait between 0 and 250 us 0x2: wait between 250 us and 500 us etc.	0x2

**Note 17:** The period duration of 250 us is derived by dividing the RC16M clock signal by 4000. Consequently, the period duration may vary over temperature.

Table 91: CLK\_32K\_REG (0x50000020)

Bit	Mode	Symbol	Description	Reset
15:13	-	-	Reserved	0x0
12	r/w	XTAL32K_DISABLE_AMPREG	Setting this bit disables the amplitude regulation of the XTAL32kHz oscillator. Set this bit to '1' for an external clock applied at XTAL32Kp. Keep this bit '0' with a crystal between XTAL32Kp and XTAL32Km.	0x0
11:8	r/w	RC32K_TRIM	Controls the frequency of the RC32K oscillator. 0x0: lowest frequency 0x7: default 0xF: highest frequency	0x7
7	r/w	RC32K_ENABLE	Enables the 32 kHz RC oscillator	0x1
6:3	r/w	XTAL32K_CUR	Bias current for the 32kHz XTAL oscillator. 0x0: minimum 0x3: default 0xF: maximum For each application there is an optimal setting for which the startup behavior is optimal.	0x3
2:1	r/w	XTAL32K_RBIAS	Setting for the bias resistor of the 32 kHz XTAL oscillator. 0x0: maximum 0x3: minimum Preferred setting will be provided by Dialog.	0x2
0	r/w	XTAL32K_ENABLE	Enables the 32 kHz XTAL oscillator	0x0



Table 92: CLK\_16M\_REG (0x50000022)

Bit	Mode	Symbol	Description	Reset
15:10	-	-	Reserved	0x0
9	r/w	XTAL16_NOISE_FILTER_ENABLE	Enables noise filter in 16 MHz crystal oscillator	0x0
8	r/w	XTAL16_BIAS_SAMPLE_HOLD_ENABLE	Enables Ibias sample/hold function in 16 MHz crystal oscillator. This bit should be set when the system wake up and reset before entering deep or extended sleep mode.	0x0
7:5	r/w	XTAL16_CUR_SET	Bias current for the 16 MHz XTAL oscillator. 0x0: minimum 0x7: maximum	0x5
4:1	r/w	RC16M_TRIM	Controls the frequency of the RC16M oscillator. 0x0: lowest frequency 0xF: highest frequency	0x0
0	r/w	RC16M_ENABLE	Enables the 16 MHz RC oscillator	0x0

Table 93: CLK\_RCX20K\_REG (0x50000024)

Bit	Mode	Symbol	Description	Reset
12	r/w	RCX20K_SELECT	Selects RCX oscillator. 0 : RC32K oscillator 1: RCX oscillator	0
11	r/w	RCX20K_ENABLE	Enable the RCX oscillator	0
10	r/w	RCX20K_LOWF	Extra low frequency	0
9:8	r/w	RCX20K_BIAS	Bias control	1
7:4	r/w	RCX20K_NTC	Temperature control	7
3:0	r/w	RCX20K_TRIM	Controls the frequency of the RCX oscillator. 0x0: lowest frequency 0x7: default 0xF: highest frequency	8

Table 94: BANDGAP\_REG (0x50000028)

Bit	Mode	Symbol	Description	Reset
15	-	-	Reserved	0x0
14	r/w	BGR_LOWPOWER	Test-mode, do not use. It disables the bandgap core (voltages will continue for some time, but will slowly drift away)	0x0
13:10	r/w	LDO_RET_TRIM	<a href="#">(Note 18)</a>	0x0
9:5	r/w	BGR_ITRIM	Current trimming for bias	0x0
4:0	r/w	BGR_TRIM	Trim register for bandgap	0x0

**Note 18:** 0xF is the lowest voltage, but is too low for reliable startup at high temperature in combination with extended sleep. 0xA is 100 mV higher and considered to be the lowest value which is safe to use. 0x0 or 0x1 is again 100 mV higher and 0x0 is the reset value. 0x4 is the maximum voltage.

Table 95: ANA\_STATUS\_REG (0x5000002A)

Bit	Mode	Symbol	Description	Reset
15:10	-	-	Reserved	0x0
9	r	BOOST_SELECTED	Indicates that DC-DC is in boost mode	0x0
8	-	-	Reserved	0x0

Table 95: ANA\_STATUS\_REG (0x5000002A)

Bit	Mode	Symbol	Description	Reset
7	r	BANDGAP_OK	Indicates that BANDGAP is OK	0x1
6	r	BOOST_VBAT_OK	Indicates that VBAT is above threshold while in BOOST converter mode.	0x0
5	r	LDO_ANA_OK	Indicates that LDO_ANA is in regulation. This LDO is used for the general-purpose ADC only	0x0
4	r	LDO_VDD_OK	Indicates that LDO_VDD is in regulation	0x1
3	r	LDO_OTP_OK	Indicates that LDO_OTP is in regulation	0x0
2	r	VDCDC_OK	Indicates that VDCDC is above threshold.	0x0
1	r	VBAT1V_OK	Indicates that VBAT1V is above threshold.	0x0
0	r	VBAT1V_AVAILABLE	Indicates that VBAT1V is available.	0x0

Table 96: WKUP\_CTRL\_REG (0x50000100)

Bit	Mode	Symbol	Description	Reset
15:14	-	-	Reserved	0x0
7	r/w	WKUP_ENABLE_IRQ	0: no interrupt will be enabled 1: if the event counter reaches the value set by WKUP_COMPARE_REG an IRQ will be generated	0x0
6	r/w	WKUP_SFT_KEYHIT	0: no effect 1: emulate key hit. The event counter will increment by 1 (after debouncing if enabled). First make this bit 0 before any new key hit can be sensed.	0x0
5:0	r/w	WKUP_DEB_VALUE	Keyboard debounce time (N*1 ms with N = 1 to 63). 0x0: no debouncing 0x1 to 0x3F: 1 ms to 63 ms debounce time	0x0

Table 97: WKUP\_COMPARE\_REG (0x50000102)

Bit	Mode	Symbol	Description	Reset
15:8	-	-	Reserved	0x0
7:0	r/w	COMPARE	The number of events that have to be counted before the wakeup interrupt will be given	0x0

Table 98: WKUP\_RESET\_IRQ\_REG (0x50000104)

Bit	Mode	Symbol	Description	Reset
15:0	w	WKUP_IRQ_RST	writing any value to this register will reset the interrupt. reading always returns 0.	0x0

Table 99: WKUP\_COUNTER\_REG (0x50000106)

Bit	Mode	Symbol	Description	Reset
15:8	-	-	Reserved	0x0
7:0	r	EVENT_VALUE	This value represents the number of events that have been counted so far. It will be reset by resetting the interrupt.	0x0

Table 100: WKUP\_RESET\_CNTR\_REG (0x50000108)

Bit	Mode	Symbol	Description	Reset
15:0	w	WKUP_CNTR_RST	writing any value to this register will reset the event counter	0x0

Table 101: WKUP\_SELECT\_P0\_REG (0x5000010A)

Bit	Mode	Symbol	Description	Reset
7:0	r/w	WKUP_SELECT_P0	0: input P0x is not enabled for wakeup event counter 1: input P0x is enabled for wakeup event counter	0x0

Table 102: WKUP\_SELECT\_P1\_REG (0x5000010C)

Bit	Mode	Symbol	Description	Reset
5:0	r/w	WKUP_SELECT_P1	0: input P1x is not enabled for wakeup event counter 1: input P1x is enabled for wakeup event counter	0x0

Table 103: WKUP\_SELECT\_P2\_REG (0x5000010E)

Bit	Mode	Symbol	Description	Reset
9:0	r/w	WKUP_SELECT_P2	0: input P2x is not enabled for wakeup event counter 1: input P2x is enabled for wakeup event counter	0x0

Table 104: WKUP\_SELECT\_P3\_REG (0x50000110)

Bit	Mode	Symbol	Description	Reset
7:0	r/w	WKUP_SELECT_P3	0: input P3x is not enabled for wakeup event counter 1: input P3x is enabled for wakeup event counter	0x0

Table 105: WKUP\_POL\_P0\_REG (0x50000112)

Bit	Mode	Symbol	Description	Reset
7:0	r/w	WKUP_POL_P0	0: enabled input P0x will increment the event counter if that input goes high 1: enabled input P0x will increment the event counter if that input goes low	0x0

Table 106: WKUP\_POL\_P1\_REG (0x50000114)

Bit	Mode	Symbol	Description	Reset
5:0	r/w	WKUP_POL_P1	0: enabled input P1x will increment the event counter if that input goes high 1: enabled input P1x will increment the event counter if that input goes low	0x0

Table 107: WKUP\_POL\_P2\_REG (0x50000116)

Bit	Mode	Symbol	Description	Reset
9:0	r/w	WKUP_POL_P2	0: enabled input P2x will increment the event counter if that input goes high 1: enabled input P2x will increment the event counter if that input goes low	0x0

Table 108: WKUP\_POL\_P3\_REG (0x50000118)

Bit	Mode	Symbol	Description	Reset
7:0	r/w	WKUP_POL_P3	0: enabled input P3x will increment the event counter if that input goes high 1: enabled input P3x will increment the event counter if that input goes low	0x0

Table 109: QDEC\_CTRL\_REG (0x50000200)

Bit	Mode	Symbol	Description	Reset
15:10	-	-	Reserved	0x0
9:3	r/w	QD_IRQ_THRES	The number of events on either counter (X or Y) that need to be reached before an interrupt is generated. If 0 is written, then threshold is considered to be 1.	0x2
2	r	QD_IRQ_STATUS	Interrupt Status. If 1 an interrupt has occurred.	0x0
1	r/w	QD_IRQ_CLR	Writing 1 to this bit clears the interrupt. This bit is auto-cleared	0x0
0	r/w	QD_IRQ_MASK	0: interrupt is masked 1: interrupt is enabled	0x0

Table 110: QDEC\_XCNT\_REG (0x50000202)

Bit	Mode	Symbol	Description	Reset
15:0	r	X_COUNTER	Contains a signed value of the events. Zero when channel is disabled	0x0

Table 111: QDEC\_YCNT\_REG (0x50000204)

Bit	Mode	Symbol	Description	Reset
15:0	r	Y_COUNTER	Contains a signed value of the events. Zero when channel is disabled	0x0

Table 112: QDEC\_CLOCKDIV\_REG (0x50000206)

Bit	Mode	Symbol	Description	Reset
9:0	r/w	CLOCK_DIVIDER	Contains the number of the input clock cycles minus one, that are required to generate one logic clock cycle.	0x0

Table 113: QDEC\_CTRL2\_REG (0x50000208)

Bit	Mode	Symbol	Description	Reset
15:12	-	-	Reserved	0

Table 113: QDEC\_CTRL2\_REG (0x50000208)

Bit	Mode	Symbol	Description	Reset
11:8	r/w	CHZ_PORT_SEL	Defines which GPIOs are mapped on Channel Z 0: none 1: P0[0] -> CHZ_A, P0[1] -> CHZ_B 2: P0[2] -> CHZ_A, P0[3] -> CHZ_B 3: P0[4] -> CHZ_A, P0[5] -> CHZ_B 4: P0[6] -> CHZ_A, P0[7] -> CHZ_B 5: P1[0] -> CHZ_A, P1[1] -> CHZ_B 6: P1[2] -> CHZ_A, P1[3] -> CHZ_B 7: P2[3] -> CHZ_A, P2[4] -> CHZ_B 8: P2[5] -> CHZ_A, P2[6] -> CHZ_B 9: P2[7] -> CHZ_A, P2[8] -> CHZ_B 10: P2[9] -> CHZ_A, P2[0] -> CHZ_B 11..15: None	0
7:4	r/w	CHY_PORT_SEL	Defines which GPIOs are mapped on Channel Y 0: none 1: P0[0] -> CHY_A, P0[1] -> CHY_B 2: P0[2] -> CHY_A, P0[3] -> CHY_B 3: P0[4] -> CHY_A, P0[5] -> CHY_B 4: P0[6] -> CHY_A, P0[7] -> CHY_B 5: P1[0] -> CHY_A, P1[1] -> CHY_B 6: P1[2] -> CHY_A, P1[3] -> CHY_B 7: P2[3] -> CHY_A, P2[4] -> CHY_B 8: P2[5] -> CHY_A, P2[6] -> CHY_B 9: P2[7] -> CHY_A, P2[8] -> CHY_B 10: P2[9] -> CHY_A, P2[0] -> CHY_B 11..15: None	0
3:0	r/w	CHX_PORT_SEL	Defines which GPIOs are mapped on Channel X 0: none 1: P0[0] -> CHX_A, P0[1] -> CHX_B 2: P0[2] -> CHX_A, P0[3] -> CHX_B 3: P0[4] -> CHX_A, P0[5] -> CHX_B 4: P0[6] -> CHX_A, P0[7] -> CHX_B 5: P1[0] -> CHX_A, P1[1] -> CHX_B 6: P1[2] -> CHX_A, P1[3] -> CHX_B 7: P2[3] -> CHX_A, P2[4] -> CHX_B 8: P2[5] -> CHX_A, P2[6] -> CHX_B 9: P2[7] -> CHX_A, P2[8] -> CHX_B 10: P2[9] -> CHX_A, P2[0] -> CHX_B 11..15: None	0

Table 114: QDEC\_ZCNT\_REG (0x5000020A)

Bit	Mode	Symbol	Description	Reset
15:0	r	Z_COUNTER	Contains a signed value of the events. Zero when channel is disabled	0

Table 115: UART\_RBR\_THR\_DLL\_REG (0x50001000)

Bit	Mode	Symbol	Description	Reset
15:8	-	-	Reserved	0x0

Table 115: UART\_RBR\_THR\_DLL\_REG (0x50001000)

Bit	Mode	Symbol	Description	Reset
7:0	r/w	RBR_THR_DLL	<p>Receive Buffer Register: This register contains the data byte received on the serial input port (sin) in UART mode or the serial infrared input (sir_in) in infrared mode. The data in this register is valid only if the Data Ready (DR) bit in the Line Status Register (LSR) is set. If FIFOs are disabled (FCR[0] set to zero), the data in the RBR must be read before the next data arrives, otherwise it will be overwritten, resulting in an overrun error. If FIFOs are enabled (FCR[0] set to one), this register accesses the head of the receive FIFO. If the receive FIFO is full and this register is not read before the next data character arrives, then the data already in the FIFO will be preserved but any incoming data will be lost. An overrun error will also occur. Transmit Holding Register: This register contains data to be transmitted on the serial output port (sout) in UART mode or the serial infrared output (sir_out_n) in infrared mode. Data should only be written to the THR when the THR Empty (THRE) bit (LSR[5]) is set. If FIFO's are disabled (FCR[0] set to zero) and THRE is set, writing a single character to the THR clears the THRE. Any additional writes to the THR before the THRE is set again causes the THR data to be overwritten. If FIFO's are enabled (FCR[0] set to one) and THRE is set, x number of characters of data may be written to the THR before the FIFO is full. The number x (default=16) is determined by the value of FIFO Depth that you set during configuration. Any attempt to write data when the FIFO is full results in the write data being lost. Divisor Latch (Low): This register makes up the lower 8-bits of a 16-bit, read/write, Divisor Latch register that contains the baud rate divisor for the UART. This register may only be accessed when the DLAB bit (LCR[7]) is set. The output baud rate is equal to the serial clock (sclk) frequency divided by sixteen times the value of the baud rate divisor, as follows: <math>\text{baud rate} = (\text{serial clock freq}) / (16 * \text{divisor})</math> Note that with the Divisor Latch Registers (DLL and DLH) set to zero, the baud clock is disabled and no serial communications will occur. Also, once the DLL is set, at least 8 clock cycles of the slowest DW_apb_uart clock should be allowed to pass before transmitting or receiving data.</p>	0x0

Table 116: UART\_IER\_DLH\_REG (0x50001004)

Bit	Mode	Symbol	Description	Reset
15:8	-	-	Reserved	0x0
7	r/w	PTIME_DLH7	Interrupt Enable Register: PTIME, Programmable THRE Interrupt Mode Enable. This is used to enable/disable the generation of THRE Interrupt. 0 = disabled 1 = enabled Divisor Latch (High): Bit[7] of the 8 bit DLH register.	0x0
6:4	-	-	Reserved	0x0
3	r/w	EDSSI_DLH3	Interrupt Enable Register: EDSSI, Enable Modem Status Interrupt. This is used to enable/disable the generation of Modem Status Interrupt. This is the fourth highest priority interrupt. 0 = disabled 1 = enabled Divisor Latch (High): Bit[3] of the 8 bit DLH register	0x0

Table 116: UART\_IER\_DLH\_REG (0x50001004)

Bit	Mode	Symbol	Description	Reset
2	r/w	ELSI_DHL2	Interrupt Enable Register: ELSI, Enable Receiver Line Status Interrupt. This is used to enable/disable the generation of Receiver Line Status Interrupt. This is the highest priority interrupt. 0 = disabled 1 = enabled Divisor Latch (High): Bit[2] of the 8 bit DLH register.	0x0
1	r/w	ETBEI_DLH1	Interrupt Enable Register: ETBEI, Enable Transmit Holding Register Empty Interrupt. This is used to enable/disable the generation of Transmitter Holding Register Empty Interrupt. This is the third highest priority interrupt. 0 = disabled 1 = enabled Divisor Latch (High): Bit[1] of the 8 bit DLH register.	0x0
0	r/w	ERBFI_DLH0	Interrupt Enable Register: ERBFI, Enable Received Data Available Interrupt. This is used to enable/disable the generation of Received Data Available Interrupt and the Character Timeout Interrupt (if in FIFO mode and FIFO's enabled). These are the second highest priority interrupts. 0 = disabled 1 = enabled Divisor Latch (High): Bit[0] of the 8 bit DLH register.	0x0



Table 117: UART\_IIR\_FCR\_REG (0x50001008)

Bit	Mode	Symbol	Description	Reset
15:0	r/w	IIR_FCR	<p>Interrupt Identification Register, reading this register; FIFO Control Register, writing to this register. Interrupt Identification Register: Bits[7:6], FIFO's Enabled (or FIFOSE): This is used to indicate whether the FIFO's are enabled or disabled. 00 = disabled. 11 = enabled. Bits[3:0], Interrupt ID (or IID): This indicates the highest priority pending interrupt which can be one of the following types: 0000 = modem status. 0001 = no interrupt pending. 0010 = THR empty. 0100 = received data available. 0110 = receiver line status. 0111 = busy detect. 1100 = character timeout. Bits[7:6], RCVR Trigger (or RT): This is used to select the trigger level in the receiver FIFO at which the Received Data Available Interrupt will be generated. In auto flow control mode it is used to determine when the rts_n signal will be de-asserted. It also determines when the dma_rx_req_n signal will be asserted when in certain modes of operation. The following trigger levels are supported: 00 = 1 character in the FIFO 01 = FIFO 1/4 full 10 = FIFO 1/2 full 11 = FIFO 2 less than full Bits[5:4], TX Empty Trigger (or TET): This is used to select the empty threshold level at which the THRE Interrupts will be generated when the mode is active. It also determines when the dma_tx_req_n signal will be asserted when in certain modes of operation. The following trigger levels are supported: 00 = FIFO empty 01 = 2 characters in the FIFO 10 = FIFO 1/4 full 11 = FIFO 1/2 full Bit[3], DMA Mode (or DMAM): This determines the DMA signalling mode used for the dma_tx_req_n and dma_rx_req_n output signals. 0 = mode 0 1 = mode 1 Bit[2], XMIT FIFO Reset (or XFIFOR): This resets the control portion of the transmit FIFO and treats the FIFO as empty. Note that this bit is 'self-clearing' and it is not necessary to clear this bit. Bit[1], RCVR FIFO Reset (or RFIFOR): This resets the control portion of the receive FIFO and treats the FIFO as empty. Note that this bit is 'self-clearing' and it is not necessary to clear this bit. Bit[0], FIFO Enable (or FIFOE): This enables/disables the transmit (XMIT) and receive (RCVR) FIFO's. Whenever the value of this bit is changed both the XMIT and RCVR controller portion of FIFO's will be reset.</p>	0x0

Table 118: UART\_LCR\_REG (0x5000100C)

Bit	Mode	Symbol	Description	Reset
15:8	-	-	Reserved	0x0
7	r/w	UART_DLAB	<p>Divisor Latch Access Bit. This bit is used to enable reading and writing of the Divisor Latch register (DLL and DLH) to set the baud rate of the UART. This bit must be cleared after initial baud rate setup in order to access other registers.</p>	0x0

Table 118: UART\_LCR\_REG (0x5000100C)

Bit	Mode	Symbol	Description	Reset
6	r/w	UART_BC	Break Control Bit. This is used to cause a break condition to be transmitted to the receiving device. If set to one the serial output is forced to the spacing (logic 0) state. When not in Loopback Mode, as determined by MCR[4], the serial line is forced low until the Break bit is cleared. If active (MCR[6] set to one) the sir_out_n line is continuously pulsed. When in Loopback Mode, the break condition is internally looped back to the receiver and the sir_out_n line is forced low.	0x0
5	-	-	Reserved	0x0
4	r/w	UART_EPS	Even Parity Select. This is used to select between even and odd parity, when parity is enabled (PEN set to one). If set to one, an even number of logic 1s is transmitted or checked. If set to zero, an odd number of logic 1s is transmitted or checked.	0x0
3	r/w	UART_PEN	Parity Enable. This bit is used to enable and disable parity generation and detection in transmitted and received serial character respectively. 0 = parity disabled 1 = parity enabled	0x0
2	r/w	UART_STOP	Number of stop bits. This is used to select the number of stop bits per character that the peripheral transmits and receives. If set to zero, one stop bit is transmitted in the serial data. If set to one and the data bits are set to 5 (LCR[1:0] set to zero) one and a half stop bits is transmitted. Otherwise, two stop bits are transmitted. Note that regardless of the number of stop bits selected, the receiver checks only the first stop bit. 0 = 1 stop bit 1 = 1.5 stop bits when DLS (LCR[1:0]) is zero, else 2 stop bit	0x0
1:0	r/w	UART_DLS	Data Length Select. This is used to select the number of data bits per character that the peripheral transmits and receives. The number of bit that may be selected areas follows: 00 = 5 bits 01 = 6 bits 10 = 7 bits 11 = 8 bits	0x0

Table 119: UART\_MCR\_REG (0x50001010)

Bit	Mode	Symbol	Description	Reset
15:7	-	-	Reserved	0x0
6	r/w	UART_SIRE	SIR Mode Enable. This is used to enable/disable the IrDA SIR Mode features as described in "IrDA 1.0 SIR Protocol" on page 53. 0 = IrDA SIR Mode disabled 1 = IrDA SIR Mode enabled	0x0
5	r/w	UART_AFCE	Auto Flow Control Enable. When FIFOs are enabled and the Auto Flow Control Enable (AFCE) bit is set, hardware Auto Flow Control is enabled via CTS and RTS. 0 = Auto Flow Control Mode disabled 1 = Auto Flow Control Mode enabled	0x0

Table 119: UART\_MCR\_REG (0x50001010)

Bit	Mode	Symbol	Description	Reset
4	r/w	UART_LB	<p>LoopBack Bit.</p> <p>This is used to put the UART into a diagnostic mode for test purposes.</p> <p>If operating in UART mode (SIR_MODE not active, MCR[6] set to zero), data on the sout line is held high, while serial data output is looped back to the sin line, internally. In this mode all the interrupts are fully functional. Also, in loopback mode, the modem control inputs (dsr_n, cts_n, ri_n, dcd_n) are disconnected and the modem control outputs (dtr_n, rts_n, out1_n, out2_n) are looped back to the inputs, internally.</p> <p>If operating in infrared mode (SIR_MODE active, MCR[6] set to one), data on the sir_out_n line is held low, while serial data output is inverted and looped back to the sir_in line.</p>	0x0
3	r/w	UART_OUT2	<p>OUT2.</p> <p>This is used to directly control the user-designated Output2 (out2_n) output. The value written to this location is inverted and driven out on out2_n, that is:</p> <p>0 = out2_n de-asserted (logic 1)</p> <p>1 = out2_n asserted (logic 0)</p> <p>Note that in Loopback mode (MCR[4] set to one), the out2_n output is held inactive high while the value of this location is internally looped back to an input.</p>	0x0
2	r/w	UART_OUT1	<p>OUT1.</p> <p>This is used to directly control the user-designated Output1 (out1_n) output. The value written to this location is inverted and driven out on out1_n, that is:</p> <p>0 = out1_n de-asserted (logic 1)</p> <p>1 = out1_n asserted (logic 0)</p> <p>Note that in Loopback mode (MCR[4] set to one), the out1_n output is held inactive high while the value of this location is internally looped back to an input.</p>	0x0
1	r/w	UART_RTS	<p>Request to Send.</p> <p>This is used to directly control the Request to Send (rts_n) output. The Request To Send (rts_n) output is used to inform the modem or data set that the UART is ready to exchange data.</p> <p>When Auto Flow Control is disabled (MCR[5] set to zero), the rts_n signal is set low by programming MCR[1] (RTS) to a high. When Auto Flow Control is enabled (MCR[5] set to one) and FIFOs are enabled (FCR[0] set to one), the rts_n output is controlled in the same way, but is also gated with the receiver FIFO threshold trigger (rts_n is inactive high when above the threshold). The rts_n signal is de-asserted when MCR[1] is set low.</p> <p>Note that in Loopback mode (MCR[4] set to one), the rts_n output is held inactive (high) while the value of this location is internally looped back to an input.</p>	0x0
0	-	-	Reserved	0x0

Table 120: UART\_LSR\_REG (0x50001014)

Bit	Mode	Symbol	Description	Reset
15:8	-	-	Reserved	0x0

Table 120: UART\_LSR\_REG (0x50001014)

Bit	Mode	Symbol	Description	Reset
7	r	UART_RFE	Receiver FIFO Error bit. This bit is only relevant when FIFOs are enabled (FCR[0] set to one). This is used to indicate if there is at least one parity error, framing error, or break indication in the FIFO. 0 = no error in RX FIFO 1 = error in RX FIFO This bit is cleared when the LSR is read and the character with the error is at the top of the receiver FIFO and there are no subsequent errors in the FIFO.	0x0
6	r	UART_TEMT	Transmitter Empty bit. If FIFOs enabled (FCR[0] set to one), this bit is set whenever the Transmitter Shift Register and the FIFO are both empty. If FIFOs are disabled, this bit is set whenever the Transmitter Holding Register and the Transmitter Shift Register are both empty.	0x1
5	r	UART_THRE	Transmit Holding Register Empty bit. If THRE mode is disabled (IER[7] set to zero) and regardless of FIFO's being implemented/enabled or not, this bit indicates that the THR or TX FIFO is empty. This bit is set whenever data is transferred from the THR or TX FIFO to the transmitter shift register and no new data has been written to the THR or TX FIFO. This also causes a THRE Interrupt to occur, if the THRE Interrupt is enabled. If both modes are active (IER[7] set to one and FCR[0] set to one respectively), the functionality is switched to indicate the transmitter FIFO is full, and no longer controls THRE interrupts, which are then controlled by the FCR[5:4] threshold setting.	0x1
4	r	UART_B1	Break Interrupt bit. This is used to indicate the detection of a break sequence on the serial input data. If in UART mode (SIR_MODE == Disabled), it is set whenever the serial input, sin, is held in a logic '0' state for longer than the sum of start time + data bits + parity + stop bits. If in infrared mode (SIR_MODE == Enabled), it is set whenever the serial input, sir_in, is continuously pulsed to logic '0' for longer than the sum of start time + data bits + parity + stop bits. A break condition on serial input causes one and only one character, consisting of all zeros, to be received by the UART. In the FIFO mode, the character associated with the break condition is carried through the FIFO and is revealed when the character is at the top of the FIFO. Reading the LSR clears the BI bit. In the non-FIFO mode, the BI indication occurs immediately and persists until the LSR is read.	0x0

Table 120: UART\_LSR\_REG (0x50001014)

Bit	Mode	Symbol	Description	Reset
3	r	UART_FE	<p>Framing Error bit.</p> <p>This is used to indicate the occurrence of a framing error in the receiver. A framing error occurs when the receiver does not detect a valid STOP bit in the received data.</p> <p>In the FIFO mode, since the framing error is associated with a character received, it is revealed when the character with the framing error is at the top of the FIFO.</p> <p>When a framing error occurs, the UART tries to resynchronize. It does this by assuming that the error was due to the start bit of the next character and then continues receiving the other bit i.e. data, and/or parity and stop. It should be noted that the Framing Error (FE) bit (LSR[3]) is set if a break interrupt has occurred, as indicated by Break Interrupt (BI) bit (LSR[4]).</p> <p>0 = no framing error 1 = framing error</p> <p>Reading the LSR clears the FE bit.</p>	0x0
2	r	UART_PE	<p>Parity Error bit.</p> <p>This is used to indicate the occurrence of a parity error in the receiver if the Parity Enable (PEN) bit (LCR[3]) is set.</p> <p>In the FIFO mode, since the parity error is associated with a character received, it is revealed when the character with the parity error arrives at the top of the FIFO.</p> <p>It should be noted that the Parity Error (PE) bit (LSR[2]) is set if a break interrupt has occurred, as indicated by Break Interrupt (BI) bit (LSR[4]).</p> <p>0 = no parity error 1 = parity error</p> <p>Reading the LSR clears the PE bit.</p>	0x0
1	r	UART_OE	<p>Overrun error bit.</p> <p>This is used to indicate the occurrence of an overrun error. This occurs if a new data character was received before the previous data was read.</p> <p>In the non-FIFO mode, the OE bit is set when a new character arrives in the receiver before the previous character was read from the RBR. When this happens, the data in the RBR is overwritten. In the FIFO mode, an overrun error occurs when the FIFO is full and a new character arrives at the receiver. The data in the FIFO is retained and the data in the receive shift register is lost.</p> <p>0 = no overrun error 1 = overrun error</p> <p>Reading the LSR clears the OE bit.</p>	0x0
0	r	UART_DR	<p>Data Ready bit.</p> <p>This is used to indicate that the receiver contains at least one character in the RBR or the receiver FIFO.</p> <p>0 = no data ready 1 = data ready</p> <p>This bit is cleared when the RBR is read in non-FIFO mode, or when the receiver FIFO is empty, in FIFO mode.</p>	0x0

Table 121: UART\_MSR\_REG (0x50001018)

Bit	Mode	Symbol	Description	Reset
15:8	-	-	Reserved	0x0

Table 121: UART\_MSR\_REG (0x50001018)

Bit	Mode	Symbol	Description	Reset
7	r	UART_DCD	<p>Data Carrier Detect.</p> <p>This is used to indicate the current state of the modem control line dcd_n. This bit is the complement of dcd_n. When the Data Carrier Detect input (dcd_n) is asserted it is an indication that the carrier has been detected by the modem or data set.</p> <p>0 = dcd_n input is de-asserted (logic 1) 1 = dcd_n input is asserted (logic 0)</p> <p>In Loopback Mode (MCR[4] set to one), DCD is the same as MCR[3] (Out2).</p>	0x0
6	r	UART_R1	<p>Ring Indicator.</p> <p>This is used to indicate the current state of the modem control line ri_n. This bit is the complement of ri_n. When the Ring Indicator input (ri_n) is asserted it is an indication that a telephone ringing signal has been received by the modem or data set.</p> <p>0 = ri_n input is de-asserted (logic 1) 1 = ri_n input is asserted (logic 0)</p> <p>In Loopback Mode (MCR[4] set to one), RI is the same as MCR[2] (Out1).</p>	0x0
5	-	-	Reserved	0x0
4	r	UART_CTS	<p>Clear to Send.</p> <p>This is used to indicate the current state of the modem control line cts_n. This bit is the complement of cts_n. When the Clear to Send input (cts_n) is asserted it is an indication that the modem or data set is ready to exchange data with the UART Ctrl.</p> <p>0 = cts_n input is de-asserted (logic 1) 1 = cts_n input is asserted (logic 0)</p> <p>In Loopback Mode (MCR[4] = 1), CTS is the same as MCR[1] (RTS).</p>	0x0
3	r	UART_DDCD	<p>Delta Data Carrier Detect.</p> <p>This is used to indicate that the modem control line dcd_n has changed since the last time the MSR was read.</p> <p>0 = no change on dcd_n since last read of MSR 1 = change on dcd_n since last read of MSR</p> <p>Reading the MSR clears the DDCD bit. In Loopback Mode (MCR[4] = 1), DDCD reflects changes on MCR[3] (Out2). Note, if the DDCD bit is not set and the dcd_n signal is asserted (low) and a reset occurs (software or otherwise), then the DDCD bit is set when the reset is removed if the dcd_n signal remains asserted.</p>	0x0
2	r	UART_TERI	<p>Trailing Edge of Ring Indicator.</p> <p>This is used to indicate that a change on the input ri_n (from an active-low to an inactive-high state) has occurred since the last time the MSR was read.</p> <p>0 = no change on ri_n since last read of MSR 1 = change on ri_n since last read of MSR</p> <p>Reading the MSR clears the TERI bit. In Loopback Mode (MCR[4] = 1), TERI reflects when MCR[2] (Out1) has changed state from a high to a low.</p>	0x0
1	-	-	Reserved	0x0

Table 121: UART\_MSR\_REG (0x50001018)

Bit	Mode	Symbol	Description	Reset
0	r	UART_DCTS	Delta Clear to Send. This is used to indicate that the modem control line cts_n has changed since the last time the MSR was read. 0 = no change on cts_n since last read of MSR 1 = change on cts_n since last read of MSR Reading the MSR clears the DCTS bit. In Loopback Mode (MCR[4] = 1), DCTS reflects changes on MCR[1] (RTS). Note, if the DCTS bit is not set and the cts_n signal is asserted (low) and a reset occurs (software or otherwise), then the DCTS bit is set when the reset is removed if the cts_n signal remains asserted.	0x0

Table 122: UART\_SCR\_REG (0x5000101C)

Bit	Mode	Symbol	Description	Reset
15:8	-	-	Reserved	0x0
7:0	r/w	UART_SCRATCH_P AD	This register is for programmers to use as a temporary storage space. It has no defined purpose in the UART Ctrl.	0x0

Table 123: UART\_LPDLL\_REG (0x50001020)

Bit	Mode	Symbol	Description	Reset
15:8	-	-	Reserved	0x0
7:0	r/w	UART_LPDLL	This register makes up the lower 8-bits of a 16-bit, read/write, Low Power Divisor Latch register that contains the baud rate divisor for the UART, which must give a baud rate of 115.2K. This is required for SIR Low Power (minimum pulse width) detection at the receiver. This register may be accessed only when the DLAB bit (LCR[7]) is set. The output low-power baud rate is equal to the serial clock (sclk) frequency divided by sixteen times the value of the baud rate divisor, as follows: Low power baud rate = (serial clock frequency)/(16* divisor) Therefore, a divisor must be selected to give a baud rate of 115.2K. NOTE: When the Low Power Divisor Latch registers (LPDLL and LPDLH) are set to 0, the low-power baud clock is disabled and no low-power pulse detection (or any pulse detection) occurs at the receiver. Also, once the LPDLL is set, at least eight clock cycles of the slowest UART Ctrl clock should be allowed to pass before transmitting or receiving data.	0x0

Table 124: UART\_LPDH\_REG (0x50001024)

Bit	Mode	Symbol	Description	Reset
15:8	-	-	Reserved	0x0



Table 124: UART\_LPDH\_REG (0x50001024)

Bit	Mode	Symbol	Description	Reset
7:0	r/w	UART_LPDH	<p>This register makes up the upper 8-bits of a 16-bit, read/write, Low Power Divisor Latch register that contains the baud rate divisor for the UART, which must give a baud rate of 115.2K. This is required for SIR Low Power (minimum pulse width) detection at the receiver. This register may be accessed only when the DLAB bit (LCR[7]) is set.</p> <p>The output low-power baud rate is equal to the serial clock (sclk) frequency divided by sixteen times the value of the baud rate divisor, as follows:</p> $\text{Low power baud rate} = (\text{serial clock frequency}) / (16 * \text{divisor})$ <p>Therefore, a divisor must be selected to give a baud rate of 115.2K.</p> <p>NOTE: When the Low Power Divisor Latch registers (LPDLL and LPDLH) are set to 0, the low-power baud clock is disabled and no low-power pulse detection (or any pulse detection) occurs at the receiver. Also, once the LPDLH is set, at least eight clock cycles of the slowest UART Ctrl clock should be allowed to pass before transmitting or receiving data.</p>	0x0

Table 125: UART\_SRBR\_STHR0\_REG (0x50001030)

Bit	Mode	Symbol	Description	Reset
15:8	-	-	Reserved	0x0
7:0	r/w	SRBR_STHRX	<p>Shadow Receive Buffer Register x: This is a shadow register for the RBR and has been allocated sixteen 32-bit locations so as to accommodate burst accesses from the master. This register contains the data byte received on the serial input port (sin) in UART mode or the serial infrared input (sir_in) in infrared mode. The data in this register is valid only if the Data Ready (DR) bit in the Line status Register (LSR) is set. If FIFOs are disabled (FCR[0] set to zero), the data in the RBR must be read before the next data arrives, otherwise it will be overwritten, resulting in an overrun error. If FIFOs are enabled (FCR[0] set to one), this register accesses the head of the receive FIFO. If the receive FIFO is full and this register is not read before the next data character arrives, then the data already in the FIFO will be preserved but any incoming data will be lost. An overrun error will also occur.</p> <p>Shadow Transmit Holding Register 0: This is a shadow register for the THR and has been allocated sixteen 32-bit locations so as to accommodate burst accesses from the master. This register contains data to be transmitted on the serial output port (sout) in UART mode or the serial infrared output (sir_out_n) in infrared mode. Data should only be written to the THR when the THR Empty (THRE) bit (LSR[5]) is set. If FIFO's are disabled (FCR[0] set to zero) and THRE is set, writing a single character to the THR clears the THRE. Any additional writes to the THR before the THRE is set again causes the THR data to be overwritten. If FIFO's are enabled (FCR[0] set to one) and THRE is set, x number of characters of data may be written to the THR before the FIFO is full. The number x (default=16) is determined by the value of FIFO Depth that you set during configuration. Any attempt to write data when the FIFO is full results in the write data being lost.</p>	0x0

Table 126: UART\_SRBR\_STHR1\_REG (0x50001034)

Bit	Mode	Symbol	Description	Reset
15:8	-	-	Reserved	0x0
7:0	r/w	SRBR_STHRX	<p>Shadow Receive Buffer Register x: This is a shadow register for the RBR and has been allocated sixteen 32-bit locations so as to accommodate burst accesses from the master. This register contains the data byte received on the serial input port (sin) in UART mode or the serial infrared input (sir_in) in infrared mode. The data in this register is valid only if the Data Ready (DR) bit in the Line status Register (LSR) is set. If FIFOs are disabled (FCR[0] set to zero), the data in the RBR must be read before the next data arrives, otherwise it will be overwritten, resulting in an overrun error. If FIFOs are enabled (FCR[0] set to one), this register accesses the head of the receive FIFO. If the receive FIFO is full and this register is not read before the next data character arrives, then the data already in the FIFO will be preserved but any incoming data will be lost. An overrun error will also occur.</p> <p>Shadow Transmit Holding Register 0: This is a shadow register for the THR and has been allocated sixteen 32-bit locations so as to accommodate burst accesses from the master. This register contains data to be transmitted on the serial output port (sout) in UART mode or the serial infrared output (sir_out_n) in infrared mode. Data should only be written to the THR when the THR Empty (THRE) bit (LSR[5]) is set. If FIFO's are disabled (FCR[0] set to zero) and THRE is set, writing a single character to the THR clears the THRE. Any additional writes to the THR before the THRE is set again causes the THR data to be overwritten. If FIFO's are enabled (FCR[0] set to one) and THRE is set, x number of characters of data may be written to the THR before the FIFO is full. The number x (default=16) is determined by the value of FIFO Depth that you set during configuration. Any attempt to write data when the FIFO is full results in the write data being lost.</p>	0x0

Table 127: UART\_SRBR\_STHR2\_REG (0x50001038)

Bit	Mode	Symbol	Description	Reset
15:8	-	-	Reserved	0x0

Table 127: UART\_SRBR\_STHR2\_REG (0x50001038)

Bit	Mode	Symbol	Description	Reset
7:0	r/w	SRBR_STHRX	<p>Shadow Receive Buffer Register x: This is a shadow register for the RBR and has been allocated sixteen 32-bit locations so as to accommodate burst accesses from the master. This register contains the data byte received on the serial input port (sin) in UART mode or the serial infrared input (sir_in) in infrared mode. The data in this register is valid only if the Data Ready (DR) bit in the Line status Register (LSR) is set. If FIFOs are disabled (FCR[0] set to zero), the data in the RBR must be read before the next data arrives, otherwise it will be overwritten, resulting in an overrun error. If FIFOs are enabled (FCR[0] set to one), this register accesses the head of the receive FIFO. If the receive FIFO is full and this register is not read before the next data character arrives, then the data already in the FIFO will be preserved but any incoming data will be lost. An overrun error will also occur.</p> <p>Shadow Transmit Holding Register 0: This is a shadow register for the THR and has been allocated sixteen 32-bit locations so as to accommodate burst accesses from the master. This register contains data to be transmitted on the serial output port (sout) in UART mode or the serial infrared output (sir_out_n) in infrared mode. Data should only be written to the THR when the THR Empty (THRE) bit (LSR[5]) is set. If FIFO's are disabled (FCR[0] set to zero) and THRE is set, writing a single character to the THR clears the THRE. Any additional writes to the THR before the THRE is set again causes the THR data to be overwritten. If FIFO's are enabled (FCR[0] set to one) and THRE is set, x number of characters of data may be written to the THR before the FIFO is full. The number x (default=16) is determined by the value of FIFO Depth that you set during configuration. Any attempt to write data when the FIFO is full results in the write data being lost.</p>	0x0

Table 128: UART\_SRBR\_STHR3\_REG (0x5000103C)

Bit	Mode	Symbol	Description	Reset
15:8	-	-	Reserved	0x0

Table 128: UART\_SRBR\_STHR3\_REG (0x5000103C)

Bit	Mode	Symbol	Description	Reset
7:0	r/w	SRBR_STHRX	<p>Shadow Receive Buffer Register x: This is a shadow register for the RBR and has been allocated sixteen 32-bit locations so as to accommodate burst accesses from the master. This register contains the data byte received on the serial input port (sin) in UART mode or the serial infrared input (sir_in) in infrared mode. The data in this register is valid only if the Data Ready (DR) bit in the Line status Register (LSR) is set. If FIFOs are disabled (FCR[0] set to zero), the data in the RBR must be read before the next data arrives, otherwise it will be overwritten, resulting in an overrun error. If FIFOs are enabled (FCR[0] set to one), this register accesses the head of the receive FIFO. If the receive FIFO is full and this register is not read before the next data character arrives, then the data already in the FIFO will be preserved but any incoming data will be lost. An overrun error will also occur.</p> <p>Shadow Transmit Holding Register 0: This is a shadow register for the THR and has been allocated sixteen 32-bit locations so as to accommodate burst accesses from the master. This register contains data to be transmitted on the serial output port (sout) in UART mode or the serial infrared output (sir_out_n) in infrared mode. Data should only be written to the THR when the THR Empty (THRE) bit (LSR[5]) is set. If FIFO's are disabled (FCR[0] set to zero) and THRE is set, writing a single character to the THR clears the THRE. Any additional writes to the THR before the THRE is set again causes the THR data to be overwritten. If FIFO's are enabled (FCR[0] set to one) and THRE is set, x number of characters of data may be written to the THR before the FIFO is full. The number x (default=16) is determined by the value of FIFO Depth that you set during configuration. Any attempt to write data when the FIFO is full results in the write data being lost.</p>	0x0

Table 129: UART\_SRBR\_STHR4\_REG (0x50001040)

Bit	Mode	Symbol	Description	Reset
15:8	-	-	Reserved	0x0

Table 129: UART\_SRBR\_STHR4\_REG (0x50001040)

Bit	Mode	Symbol	Description	Reset
7:0	r/w	SRBR_STHRX	<p>Shadow Receive Buffer Register x: This is a shadow register for the RBR and has been allocated sixteen 32-bit locations so as to accommodate burst accesses from the master. This register contains the data byte received on the serial input port (sin) in UART mode or the serial infrared input (sir_in) in infrared mode. The data in this register is valid only if the Data Ready (DR) bit in the Line status Register (LSR) is set. If FIFOs are disabled (FCR[0] set to zero), the data in the RBR must be read before the next data arrives, otherwise it will be overwritten, resulting in an overrun error. If FIFOs are enabled (FCR[0] set to one), this register accesses the head of the receive FIFO. If the receive FIFO is full and this register is not read before the next data character arrives, then the data already in the FIFO will be preserved but any incoming data will be lost. An overrun error will also occur.</p> <p>Shadow Transmit Holding Register 0: This is a shadow register for the THR and has been allocated sixteen 32-bit locations so as to accommodate burst accesses from the master. This register contains data to be transmitted on the serial output port (sout) in UART mode or the serial infrared output (sir_out_n) in infrared mode. Data should only be written to the THR when the THR Empty (THRE) bit (LSR[5]) is set. If FIFO's are disabled (FCR[0] set to zero) and THRE is set, writing a single character to the THR clears the THRE. Any additional writes to the THR before the THRE is set again causes the THR data to be overwritten. If FIFO's are enabled (FCR[0] set to one) and THRE is set, x number of characters of data may be written to the THR before the FIFO is full. The number x (default=16) is determined by the value of FIFO Depth that you set during configuration. Any attempt to write data when the FIFO is full results in the write data being lost.</p>	0x0

Table 130: UART\_SRBR\_STHR5\_REG (0x50001044)

Bit	Mode	Symbol	Description	Reset
15:8	-	-	Reserved	0x0

Table 130: UART\_SRBR\_STHR5\_REG (0x50001044)

Bit	Mode	Symbol	Description	Reset
7:0	r/w	SRBR_STHRX	<p>Shadow Receive Buffer Register x: This is a shadow register for the RBR and has been allocated sixteen 32-bit locations so as to accommodate burst accesses from the master. This register contains the data byte received on the serial input port (sin) in UART mode or the serial infrared input (sir_in) in infrared mode. The data in this register is valid only if the Data Ready (DR) bit in the Line status Register (LSR) is set. If FIFOs are disabled (FCR[0] set to zero), the data in the RBR must be read before the next data arrives, otherwise it will be overwritten, resulting in an overrun error. If FIFOs are enabled (FCR[0] set to one), this register accesses the head of the receive FIFO. If the receive FIFO is full and this register is not read before the next data character arrives, then the data already in the FIFO will be preserved but any incoming data will be lost. An overrun error will also occur.</p> <p>Shadow Transmit Holding Register 0: This is a shadow register for the THR and has been allocated sixteen 32-bit locations so as to accommodate burst accesses from the master. This register contains data to be transmitted on the serial output port (sout) in UART mode or the serial infrared output (sir_out_n) in infrared mode. Data should only be written to the THR when the THR Empty (THRE) bit (LSR[5]) is set. If FIFO's are disabled (FCR[0] set to zero) and THRE is set, writing a single character to the THR clears the THRE. Any additional writes to the THR before the THRE is set again causes the THR data to be overwritten. If FIFO's are enabled (FCR[0] set to one) and THRE is set, x number of characters of data may be written to the THR before the FIFO is full. The number x (default=16) is determined by the value of FIFO Depth that you set during configuration. Any attempt to write data when the FIFO is full results in the write data being lost.</p>	0x0

Table 131: UART\_SRBR\_STHR6\_REG (0x50001048)

Bit	Mode	Symbol	Description	Reset
15:8	-	-	Reserved	0x0

Table 131: UART\_SRBR\_STHR6\_REG (0x50001048)

Bit	Mode	Symbol	Description	Reset
7:0	r/w	SRBR_STHRX	<p>Shadow Receive Buffer Register x: This is a shadow register for the RBR and has been allocated sixteen 32-bit locations so as to accommodate burst accesses from the master. This register contains the data byte received on the serial input port (sin) in UART mode or the serial infrared input (sir_in) in infrared mode. The data in this register is valid only if the Data Ready (DR) bit in the Line status Register (LSR) is set. If FIFOs are disabled (FCR[0] set to zero), the data in the RBR must be read before the next data arrives, otherwise it will be overwritten, resulting in an overrun error. If FIFOs are enabled (FCR[0] set to one), this register accesses the head of the receive FIFO. If the receive FIFO is full and this register is not read before the next data character arrives, then the data already in the FIFO will be preserved but any incoming data will be lost. An overrun error will also occur.</p> <p>Shadow Transmit Holding Register 0: This is a shadow register for the THR and has been allocated sixteen 32-bit locations so as to accommodate burst accesses from the master. This register contains data to be transmitted on the serial output port (sout) in UART mode or the serial infrared output (sir_out_n) in infrared mode. Data should only be written to the THR when the THR Empty (THRE) bit (LSR[5]) is set. If FIFO's are disabled (FCR[0] set to zero) and THRE is set, writing a single character to the THR clears the THRE. Any additional writes to the THR before the THRE is set again causes the THR data to be overwritten. If FIFO's are enabled (FCR[0] set to one) and THRE is set, x number of characters of data may be written to the THR before the FIFO is full. The number x (default=16) is determined by the value of FIFO Depth that you set during configuration. Any attempt to write data when the FIFO is full results in the write data being lost.</p>	0x0

Table 132: UART\_SRBR\_STHR7\_REG (0x5000104C)

Bit	Mode	Symbol	Description	Reset
15:8	-	-	Reserved	0x0



Table 132: UART\_SRBR\_STHR7\_REG (0x5000104C)

Bit	Mode	Symbol	Description	Reset
7:0	r/w	SRBR_STHRX	<p>Shadow Receive Buffer Register x: This is a shadow register for the RBR and has been allocated sixteen 32-bit locations so as to accommodate burst accesses from the master. This register contains the data byte received on the serial input port (sin) in UART mode or the serial infrared input (sir_in) in infrared mode. The data in this register is valid only if the Data Ready (DR) bit in the Line status Register (LSR) is set. If FIFOs are disabled (FCR[0] set to zero), the data in the RBR must be read before the next data arrives, otherwise it will be overwritten, resulting in an overrun error. If FIFOs are enabled (FCR[0] set to one), this register accesses the head of the receive FIFO. If the receive FIFO is full and this register is not read before the next data character arrives, then the data already in the FIFO will be preserved but any incoming data will be lost. An overrun error will also occur.</p> <p>Shadow Transmit Holding Register 0: This is a shadow register for the THR and has been allocated sixteen 32-bit locations so as to accommodate burst accesses from the master. This register contains data to be transmitted on the serial output port (sout) in UART mode or the serial infrared output (sir_out_n) in infrared mode. Data should only be written to the THR when the THR Empty (THRE) bit (LSR[5]) is set. If FIFO's are disabled (FCR[0] set to zero) and THRE is set, writing a single character to the THR clears the THRE. Any additional writes to the THR before the THRE is set again causes the THR data to be overwritten. If FIFO's are enabled (FCR[0] set to one) and THRE is set, x number of characters of data may be written to the THR before the FIFO is full. The number x (default=16) is determined by the value of FIFO Depth that you set during configuration. Any attempt to write data when the FIFO is full results in the write data being lost.</p>	0x0

Table 133: UART\_SRBR\_STHR8\_REG (0x50001050)

Bit	Mode	Symbol	Description	Reset
15:8	-	-	Reserved	0x0

Table 133: UART\_SRBR\_STHR8\_REG (0x50001050)

Bit	Mode	Symbol	Description	Reset
7:0	r/w	SRBR_STHRX	<p>Shadow Receive Buffer Register x: This is a shadow register for the RBR and has been allocated sixteen 32-bit locations so as to accommodate burst accesses from the master. This register contains the data byte received on the serial input port (sin) in UART mode or the serial infrared input (sir_in) in infrared mode. The data in this register is valid only if the Data Ready (DR) bit in the Line status Register (LSR) is set. If FIFOs are disabled (FCR[0] set to zero), the data in the RBR must be read before the next data arrives, otherwise it will be overwritten, resulting in an overrun error. If FIFOs are enabled (FCR[0] set to one), this register accesses the head of the receive FIFO. If the receive FIFO is full and this register is not read before the next data character arrives, then the data already in the FIFO will be preserved but any incoming data will be lost. An overrun error will also occur.</p> <p>Shadow Transmit Holding Register 0: This is a shadow register for the THR and has been allocated sixteen 32-bit locations so as to accommodate burst accesses from the master. This register contains data to be transmitted on the serial output port (sout) in UART mode or the serial infrared output (sir_out_n) in infrared mode. Data should only be written to the THR when the THR Empty (THRE) bit (LSR[5]) is set. If FIFO's are disabled (FCR[0] set to zero) and THRE is set, writing a single character to the THR clears the THRE. Any additional writes to the THR before the THRE is set again causes the THR data to be overwritten. If FIFO's are enabled (FCR[0] set to one) and THRE is set, x number of characters of data may be written to the THR before the FIFO is full. The number x (default=16) is determined by the value of FIFO Depth that you set during configuration. Any attempt to write data when the FIFO is full results in the write data being lost.</p>	0x0

Table 134: UART\_SRBR\_STHR9\_REG (0x50001054)

Bit	Mode	Symbol	Description	Reset
15:8	-	-	Reserved	0x0

Table 134: UART\_SRBR\_STHR9\_REG (0x50001054)

Bit	Mode	Symbol	Description	Reset
7:0	r/w	SRBR_STHRX	<p>Shadow Receive Buffer Register x: This is a shadow register for the RBR and has been allocated sixteen 32-bit locations so as to accommodate burst accesses from the master. This register contains the data byte received on the serial input port (sin) in UART mode or the serial infrared input (sir_in) in infrared mode. The data in this register is valid only if the Data Ready (DR) bit in the Line status Register (LSR) is set. If FIFOs are disabled (FCR[0] set to zero), the data in the RBR must be read before the next data arrives, otherwise it will be overwritten, resulting in an overrun error. If FIFOs are enabled (FCR[0] set to one), this register accesses the head of the receive FIFO. If the receive FIFO is full and this register is not read before the next data character arrives, then the data already in the FIFO will be preserved but any incoming data will be lost. An overrun error will also occur.</p> <p>Shadow Transmit Holding Register 0: This is a shadow register for the THR and has been allocated sixteen 32-bit locations so as to accommodate burst accesses from the master. This register contains data to be transmitted on the serial output port (sout) in UART mode or the serial infrared output (sir_out_n) in infrared mode. Data should only be written to the THR when the THR Empty (THRE) bit (LSR[5]) is set. If FIFO's are disabled (FCR[0] set to zero) and THRE is set, writing a single character to the THR clears the THRE. Any additional writes to the THR before the THRE is set again causes the THR data to be overwritten. If FIFO's are enabled (FCR[0] set to one) and THRE is set, x number of characters of data may be written to the THR before the FIFO is full. The number x (default=16) is determined by the value of FIFO Depth that you set during configuration. Any attempt to write data when the FIFO is full results in the write data being lost.</p>	0x0

Table 135: UART\_SRBR\_STHR10\_REG (0x50001058)

Bit	Mode	Symbol	Description	Reset
15:8	-	-	Reserved	0x0

Table 135: UART\_SRBR\_STHR10\_REG (0x50001058)

Bit	Mode	Symbol	Description	Reset
7:0	r/w	SRBR_STHRX	<p>Shadow Receive Buffer Register x: This is a shadow register for the RBR and has been allocated sixteen 32-bit locations so as to accommodate burst accesses from the master. This register contains the data byte received on the serial input port (sin) in UART mode or the serial infrared input (sir_in) in infrared mode. The data in this register is valid only if the Data Ready (DR) bit in the Line status Register (LSR) is set. If FIFOs are disabled (FCR[0] set to zero), the data in the RBR must be read before the next data arrives, otherwise it will be overwritten, resulting in an overrun error. If FIFOs are enabled (FCR[0] set to one), this register accesses the head of the receive FIFO. If the receive FIFO is full and this register is not read before the next data character arrives, then the data already in the FIFO will be preserved but any incoming data will be lost. An overrun error will also occur.</p> <p>Shadow Transmit Holding Register 0: This is a shadow register for the THR and has been allocated sixteen 32-bit locations so as to accommodate burst accesses from the master. This register contains data to be transmitted on the serial output port (sout) in UART mode or the serial infrared output (sir_out_n) in infrared mode. Data should only be written to the THR when the THR Empty (THRE) bit (LSR[5]) is set. If FIFO's are disabled (FCR[0] set to zero) and THRE is set, writing a single character to the THR clears the THRE. Any additional writes to the THR before the THRE is set again causes the THR data to be overwritten. If FIFO's are enabled (FCR[0] set to one) and THRE is set, x number of characters of data may be written to the THR before the FIFO is full. The number x (default=16) is determined by the value of FIFO Depth that you set during configuration. Any attempt to write data when the FIFO is full results in the write data being lost.</p>	0x0

Table 136: UART\_SRBR\_STHR11\_REG (0x5000105C)

Bit	Mode	Symbol	Description	Reset
15:8	-	-	Reserved	0x0

Table 136: UART\_SRBR\_STHR11\_REG (0x5000105C)

Bit	Mode	Symbol	Description	Reset
7:0	r/w	SRBR_STHRX	<p>Shadow Receive Buffer Register x: This is a shadow register for the RBR and has been allocated sixteen 32-bit locations so as to accommodate burst accesses from the master. This register contains the data byte received on the serial input port (sin) in UART mode or the serial infrared input (sir_in) in infrared mode. The data in this register is valid only if the Data Ready (DR) bit in the Line status Register (LSR) is set. If FIFOs are disabled (FCR[0] set to zero), the data in the RBR must be read before the next data arrives, otherwise it will be overwritten, resulting in an overrun error. If FIFOs are enabled (FCR[0] set to one), this register accesses the head of the receive FIFO. If the receive FIFO is full and this register is not read before the next data character arrives, then the data already in the FIFO will be preserved but any incoming data will be lost. An overrun error will also occur.</p> <p>Shadow Transmit Holding Register 0: This is a shadow register for the THR and has been allocated sixteen 32-bit locations so as to accommodate burst accesses from the master. This register contains data to be transmitted on the serial output port (sout) in UART mode or the serial infrared output (sir_out_n) in infrared mode. Data should only be written to the THR when the THR Empty (THRE) bit (LSR[5]) is set. If FIFO's are disabled (FCR[0] set to zero) and THRE is set, writing a single character to the THR clears the THRE. Any additional writes to the THR before the THRE is set again causes the THR data to be overwritten. If FIFO's are enabled (FCR[0] set to one) and THRE is set, x number of characters of data may be written to the THR before the FIFO is full. The number x (default=16) is determined by the value of FIFO Depth that you set during configuration. Any attempt to write data when the FIFO is full results in the write data being lost.</p>	0x0

Table 137: UART\_SRBR\_STHR12\_REG (0x50001060)

Bit	Mode	Symbol	Description	Reset
15:8	-	-	Reserved	0x0

Table 137: UART\_SRBR\_STHR12\_REG (0x50001060)

Bit	Mode	Symbol	Description	Reset
7:0	r/w	SRBR_STHRX	<p>Shadow Receive Buffer Register x: This is a shadow register for the RBR and has been allocated sixteen 32-bit locations so as to accommodate burst accesses from the master. This register contains the data byte received on the serial input port (sin) in UART mode or the serial infrared input (sir_in) in infrared mode. The data in this register is valid only if the Data Ready (DR) bit in the Line status Register (LSR) is set. If FIFOs are disabled (FCR[0] set to zero), the data in the RBR must be read before the next data arrives, otherwise it will be overwritten, resulting in an overrun error. If FIFOs are enabled (FCR[0] set to one), this register accesses the head of the receive FIFO. If the receive FIFO is full and this register is not read before the next data character arrives, then the data already in the FIFO will be preserved but any incoming data will be lost. An overrun error will also occur.</p> <p>Shadow Transmit Holding Register 0: This is a shadow register for the THR and has been allocated sixteen 32-bit locations so as to accommodate burst accesses from the master. This register contains data to be transmitted on the serial output port (sout) in UART mode or the serial infrared output (sir_out_n) in infrared mode. Data should only be written to the THR when the THR Empty (THRE) bit (LSR[5]) is set. If FIFO's are disabled (FCR[0] set to zero) and THRE is set, writing a single character to the THR clears the THRE. Any additional writes to the THR before the THRE is set again causes the THR data to be overwritten. If FIFO's are enabled (FCR[0] set to one) and THRE is set, x number of characters of data may be written to the THR before the FIFO is full. The number x (default=16) is determined by the value of FIFO Depth that you set during configuration. Any attempt to write data when the FIFO is full results in the write data being lost.</p>	0x0

Table 138: UART\_SRBR\_STHR13\_REG (0x50001064)

Bit	Mode	Symbol	Description	Reset
15:8	-	-	Reserved	0x0

Table 138: UART\_SRBR\_STHR13\_REG (0x50001064)

Bit	Mode	Symbol	Description	Reset
7:0	r/w	SRBR_STHRX	<p>Shadow Receive Buffer Register x: This is a shadow register for the RBR and has been allocated sixteen 32-bit locations so as to accommodate burst accesses from the master. This register contains the data byte received on the serial input port (sin) in UART mode or the serial infrared input (sir_in) in infrared mode. The data in this register is valid only if the Data Ready (DR) bit in the Line status Register (LSR) is set. If FIFOs are disabled (FCR[0] set to zero), the data in the RBR must be read before the next data arrives, otherwise it will be overwritten, resulting in an overrun error. If FIFOs are enabled (FCR[0] set to one), this register accesses the head of the receive FIFO. If the receive FIFO is full and this register is not read before the next data character arrives, then the data already in the FIFO will be preserved but any incoming data will be lost. An overrun error will also occur.</p> <p>Shadow Transmit Holding Register 0: This is a shadow register for the THR and has been allocated sixteen 32-bit locations so as to accommodate burst accesses from the master. This register contains data to be transmitted on the serial output port (sout) in UART mode or the serial infrared output (sir_out_n) in infrared mode. Data should only be written to the THR when the THR Empty (THRE) bit (LSR[5]) is set. If FIFO's are disabled (FCR[0] set to zero) and THRE is set, writing a single character to the THR clears the THRE. Any additional writes to the THR before the THRE is set again causes the THR data to be overwritten. If FIFO's are enabled (FCR[0] set to one) and THRE is set, x number of characters of data may be written to the THR before the FIFO is full. The number x (default=16) is determined by the value of FIFO Depth that you set during configuration. Any attempt to write data when the FIFO is full results in the write data being lost.</p>	0x0

Table 139: UART\_SRBR\_STHR14\_REG (0x50001068)

Bit	Mode	Symbol	Description	Reset
15:8	-	-	Reserved	0x0



Table 139: UART\_SRBR\_STHR14\_REG (0x50001068)

Bit	Mode	Symbol	Description	Reset
7:0	r/w	SRBR_STHRX	<p>Shadow Receive Buffer Register x: This is a shadow register for the RBR and has been allocated sixteen 32-bit locations so as to accommodate burst accesses from the master. This register contains the data byte received on the serial input port (sin) in UART mode or the serial infrared input (sir_in) in infrared mode. The data in this register is valid only if the Data Ready (DR) bit in the Line status Register (LSR) is set. If FIFOs are disabled (FCR[0] set to zero), the data in the RBR must be read before the next data arrives, otherwise it will be overwritten, resulting in an overrun error. If FIFOs are enabled (FCR[0] set to one), this register accesses the head of the receive FIFO. If the receive FIFO is full and this register is not read before the next data character arrives, then the data already in the FIFO will be preserved but any incoming data will be lost. An overrun error will also occur.</p> <p>Shadow Transmit Holding Register 0: This is a shadow register for the THR and has been allocated sixteen 32-bit locations so as to accommodate burst accesses from the master. This register contains data to be transmitted on the serial output port (sout) in UART mode or the serial infrared output (sir_out_n) in infrared mode. Data should only be written to the THR when the THR Empty (THRE) bit (LSR[5]) is set. If FIFO's are disabled (FCR[0] set to zero) and THRE is set, writing a single character to the THR clears the THRE. Any additional writes to the THR before the THRE is set again causes the THR data to be overwritten. If FIFO's are enabled (FCR[0] set to one) and THRE is set, x number of characters of data may be written to the THR before the FIFO is full. The number x (default=16) is determined by the value of FIFO Depth that you set during configuration. Any attempt to write data when the FIFO is full results in the write data being lost.</p>	0x0

Table 140: UART\_SRBR\_STHR15\_REG (0x5000106C)

Bit	Mode	Symbol	Description	Reset
15:8	-	-	Reserved	0x0

Table 140: UART\_SRBR\_STHR15\_REG (0x5000106C)

Bit	Mode	Symbol	Description	Reset
7:0	r/w	SRBR_STHRX	<p>Shadow Receive Buffer Register x: This is a shadow register for the RBR and has been allocated sixteen 32-bit locations so as to accommodate burst accesses from the master. This register contains the data byte received on the serial input port (sin) in UART mode or the serial infrared input (sir_in) in infrared mode. The data in this register is valid only if the Data Ready (DR) bit in the Line status Register (LSR) is set. If FIFOs are disabled (FCR[0] set to zero), the data in the RBR must be read before the next data arrives, otherwise it will be overwritten, resulting in an overrun error. If FIFOs are enabled (FCR[0] set to one), this register accesses the head of the receive FIFO. If the receive FIFO is full and this register is not read before the next data character arrives, then the data already in the FIFO will be preserved but any incoming data will be lost. An overrun error will also occur.</p> <p>Shadow Transmit Holding Register 0: This is a shadow register for the THR and has been allocated sixteen 32-bit locations so as to accommodate burst accesses from the master. This register contains data to be transmitted on the serial output port (sout) in UART mode or the serial infrared output (sir_out_n) in infrared mode. Data should only be written to the THR when the THR Empty (THRE) bit (LSR[5]) is set. If FIFO's are disabled (FCR[0] set to zero) and THRE is set, writing a single character to the THR clears the THRE. Any additional writes to the THR before the THRE is set again causes the THR data to be overwritten. If FIFO's are enabled (FCR[0] set to one) and THRE is set, x number of characters of data may be written to the THR before the FIFO is full. The number x (default=16) is determined by the value of FIFO Depth that you set during configuration. Any attempt to write data when the FIFO is full results in the write data being lost.</p>	0x0

Table 141: UART\_USR\_REG (0x5000107C)

Bit	Mode	Symbol	Description	Reset
15:5	-	-	Reserved	0x0
4	r	UART_RFF	<p>Receive FIFO Full. This is used to indicate that the receive FIFO is completely full. 0 = Receive FIFO not full 1 = Receive FIFO Full This bit is cleared when the RX FIFO is no longer full.</p>	0x0
3	r	UART_RFNE	<p>Receive FIFO Not Empty. This is used to indicate that the receive FIFO contains one or more entries. 0 = Receive FIFO is empty 1 = Receive FIFO is not empty This bit is cleared when the RX FIFO is empty.</p>	0x0
2	r	UART_TFE	<p>Transmit FIFO Empty. This is used to indicate that the transmit FIFO is completely empty. 0 = Transmit FIFO is not empty 1 = Transmit FIFO is empty This bit is cleared when the TX FIFO is no longer empty.</p>	0x1

Table 141: UART\_USR\_REG (0x5000107C)

Bit	Mode	Symbol	Description	Reset
1	r	UART_TFNF	Transmit FIFO Not Full. This is used to indicate that the transmit FIFO is not full. 0 = Transmit FIFO is full 1 = Transmit FIFO is not full This bit is cleared when the TX FIFO is full.	0x1
0	-	-	Reserved	0x0

Table 142: UART\_TFL\_REG (0x50001080)

Bit	Mode	Symbol	Description	Reset
15:0	r	UART_TRANSMIT_FIFO_LEVEL	Transmit FIFO Level. This indicates the number of data entries in the transmit FIFO.	0x0

Table 143: UART\_RFL\_REG (0x50001084)

Bit	Mode	Symbol	Description	Reset
15:0	r	UART_RECEIVE_FIFO_LEVEL	Receive FIFO Level. This indicates the number of data entries in the receive FIFO.	0x0

Table 144: UART\_SRR\_REG (0x50001088)

Bit	Mode	Symbol	Description	Reset
15:3	-	-	Reserved	0x0
2	w	UART_XFR	XMIT FIFO Reset. This is a shadow register for the XMIT FIFO Reset bit (FCR[2]). This can be used to remove the burden on software having to store previously written FCR values (which are pretty static) just to reset the transmit FIFO. This resets the control portion of the transmit FIFO and treats the FIFO as empty. Note that this bit is 'self-clearing'. It is not necessary to clear this bit.	0x0
1	w	UART_RFR	RCVR FIFO Reset. This is a shadow register for the RCVR FIFO Reset bit (FCR[1]). This can be used to remove the burden on software having to store previously written FCR values (which are pretty static) just to reset the receive FIFO. This resets the control portion of the receive FIFO and treats the FIFO as empty. Note that this bit is 'self-clearing'. It is not necessary to clear this bit.	0x0
0	w	UART_UR	UART Reset. This asynchronously resets the UART Ctrl and synchronously removes the reset assertion. For a two clock implementation both pclk and sclk domains are reset.	0x0

Table 145: UART\_SRTS\_REG (0x5000108C)

Bit	Mode	Symbol	Description	Reset
15:1	-	-	Reserved	0x0

Table 145: UART\_SRTS\_REG (0x5000108C)

Bit	Mode	Symbol	Description	Reset
0	r/w	UART_SHADOW_REQUEST_TO_SEND	<p>Shadow Request to Send.</p> <p>This is a shadow register for the RTS bit (MCR[1]), this can be used to remove the burden of having to perform a read-modify-write on the MCR. This is used to directly control the Request to Send (rts_n) output. The Request To Send (rts_n) output is used to inform the modem or data set that the UART Ctrl is ready to exchange data.</p> <p>When Auto Flow Control is disabled (MCR[5] = 0), the rts_n signal is set low by programming MCR[1] (RTS) to a high.</p> <p>When Auto Flow Control is enabled (MCR[5] = 1) and FIFOs are enabled (FCR[0] = 1), the rts_n output is controlled in the same way, but is also gated with the receiver FIFO threshold trigger (rts_n is inactive high when above the threshold).</p> <p>Note that in Loopback mode (MCR[4] = 1), the rts_n output is held inactive-high while the value of this location is internally looped back to an input.</p>	0x0

Table 146: UART\_SBCR\_REG (0x50001090)

Bit	Mode	Symbol	Description	Reset
15:1	-	-	Reserved	0x0
0	r/w	UART_SHADOW_BREAK_CONTROL	<p>Shadow Break Control Bit.</p> <p>This is a shadow register for the Break bit (LCR[6]), this can be used to remove the burden of having to performing a read modify write on the LCR. This is used to cause a break condition to be transmitted to the receiving device.</p> <p>If set to one the serial output is forced to the spacing (logic 0) state. When not in Loopback Mode, as determined by MCR[4], the sout line is forced low until the Break bit is cleared.</p> <p>If SIR_MODE active (MCR[6] = 1) the sir_out_n line is continuously pulsed. When in Loopback Mode, the break condition is internally looped back to the receiver.</p>	0x0

Table 147: UART\_SDMAM\_REG (0x50001094)

Bit	Mode	Symbol	Description	Reset
15:1	-	-	Reserved	0x0
0	r/w	UART_SHADOW_DMA_MODE	<p>Shadow DMA Mode.</p> <p>This is a shadow register for the DMA mode bit (FCR[3]). This can be used to remove the burden of having to store the previously written value to the FCR in memory and having to mask this value so that only the DMA Mode bit gets updated. This determines the DMA signalling mode used for the dma_tx_req_n and dma_rx_req_n output signals.</p> <p>0 = mode 0 1 = mode 1</p>	0x0

Table 148: UART\_SFE\_REG (0x50001098)

Bit	Mode	Symbol	Description	Reset
15:1	-	-	Reserved	0x0

Table 148: UART\_SFE\_REG (0x50001098)

Bit	Mode	Symbol	Description	Reset
0	r/w	UART_SHADOW_FIFO_ENABLE	Shadow FIFO Enable. This is a shadow register for the FIFO enable bit (FCR[0]). This can be used to remove the burden of having to store the previously written value to the FCR in memory and having to mask this value so that only the FIFO enable bit gets updated. This enables/disables the transmit (XMIT) and receive (RCVR) FIFOs. If this bit is set to zero (disabled) after being enabled then both the XMIT and RCVR controller portion of FIFOs are reset.	0x0

Table 149: UART\_SRT\_REG (0x5000109C)

Bit	Mode	Symbol	Description	Reset
15:2	-	-	Reserved	0x0
1:0	r/w	UART_SHADOW_RCVR_TRIGGER	Shadow RCVR Trigger. This is a shadow register for the RCVR trigger bits (FCR[7:6]). This can be used to remove the burden of having to store the previously written value to the FCR in memory and having to mask this value so that only the RCVR trigger bit gets updated. This is used to select the trigger level in the receiver FIFO at which the Received Data Available Interrupt is generated. It also determines when the dma_rx_req_n signal is asserted when DMA Mode (FCR[3]) = 1. The following trigger levels are supported: 00 = 1 character in the FIFO 01 = FIFO $\hat{A}$ ¼ full 10 = FIFO $\hat{A}$ ½ full 11 = FIFO 2 less than full	0x0

Table 150: UART\_STET\_REG (0x500010A0)

Bit	Mode	Symbol	Description	Reset
15:2	-	-	Reserved	0x0
1:0	r/w	UART_SHADOW_TX_EMPTY_TRIGGER	Shadow TX Empty Trigger. This is a shadow register for the TX empty trigger bits (FCR[5:4]). This can be used to remove the burden of having to store the previously written value to the FCR in memory and having to mask this value so that only the TX empty trigger bit gets updated. This is used to select the empty threshold level at which the THRE Interrupts are generated when the mode is active. The following trigger levels are supported: 00 = FIFO empty 01 = 2 characters in the FIFO 10 = FIFO $\hat{A}$ ¼ full 11 = FIFO $\hat{A}$ ½ full	0x0

Table 151: UART\_HTX\_REG (0x500010A4)

Bit	Mode	Symbol	Description	Reset
15:1	-	-	Reserved	0x0

Table 151: UART\_HTX\_REG (0x500010A4)

Bit	Mode	Symbol	Description	Reset
0	r/w	UART_HALT_TX	This register is use to halt transmissions for testing, so that the transmit FIFO can be filled by the master when FIFOs are implemented and enabled. 0 = Halt TX disabled 1 = Halt TX enabled Note, if FIFOs are implemented and not enabled, the setting of the halt TX register has no effect on operation.	0x0

Table 152: UART\_CPR\_REG (0x500010F4)

Bit	Mode	Symbol	Description	Reset
15:0	r	CPR	Component Parameter Register	0x0

Table 153: UART\_UCV\_REG (0x500010F8)

Bit	Mode	Symbol	Description	Reset
15:0	r	UCV	Component Version	0x33303 82A

Table 154: UART\_CTR\_REG (0x500010FC)

Bit	Mode	Symbol	Description	Reset
15:0	r	CTR	Component Type Register	0x44570 110

Table 155: UART2\_RBR\_THR\_DLL\_REG (0x50001100)

Bit	Mode	Symbol	Description	Reset
15:8	-	-	Reserved	0x0

Table 155: UART2\_RBR\_THR\_DLL\_REG (0x50001100)

Bit	Mode	Symbol	Description	Reset
7:0	r/w	RBR_THR_DLL	<p>Receive Buffer Register: This register contains the data byte received on the serial input port (sin) in UART mode or the serial infrared input (sir_in) in infrared mode. The data in this register is valid only if the Data Ready (DR) bit in the Line Status Register (LSR) is set. If FIFOs are disabled (FCR[0] set to zero), the data in the RBR must be read before the next data arrives, otherwise it will be overwritten, resulting in an overrun error. If FIFOs are enabled (FCR[0] set to one), this register accesses the head of the receive FIFO. If the receive FIFO is full and this register is not read before the next data character arrives, then the data already in the FIFO will be preserved but any incoming data will be lost. An overrun error will also occur. Transmit Holding Register: This register contains data to be transmitted on the serial output port (sout) in UART mode or the serial infrared output (sir_out_n) in infrared mode. Data should only be written to the THR when the THR Empty (THRE) bit (LSR[5]) is set. If FIFO's are disabled (FCR[0] set to zero) and THRE is set, writing a single character to the THR clears the THRE. Any additional writes to the THR before the THRE is set again causes the THR data to be overwritten. If FIFO's are enabled (FCR[0] set to one) and THRE is set, x number of characters of data may be written to the THR before the FIFO is full. The number x (default=16) is determined by the value of FIFO Depth that you set during configuration. Any attempt to write data when the FIFO is full results in the write data being lost. Divisor Latch (Low): This register makes up the lower 8-bits of a 16-bit, read/write, Divisor Latch register that contains the baud rate divisor for the UART. This register may only be accessed when the DLAB bit (LCR[7]) is set. The output baud rate is equal to the serial clock (sclk) frequency divided by sixteen times the value of the baud rate divisor, as follows: <math>\text{baud rate} = (\text{serial clock freq}) / (16 * \text{divisor})</math> Note that with the Divisor Latch Registers (DLL and DLH) set to zero, the baud clock is disabled and no serial communications will occur. Also, once the DLL is set, at least 8 clock cycles of the slowest DW_apb_uart clock should be allowed to pass before transmitting or receiving data.</p>	0x0

Table 156: UART2\_IER\_DLH\_REG (0x50001104)

Bit	Mode	Symbol	Description	Reset
15:8	-	-	Reserved	0x0
7	r/w	PTIME_DLH7	Interrupt Enable Register: PTIME, Programmable THRE Interrupt Mode Enable. This is used to enable/disable the generation of THRE Interrupt. 0 = disabled 1 = enabled Divisor Latch (High): Bit[7] of the 8 bit DLH register.	0x0
6:4	-	-	Reserved	0x0
3	r/w	EDSSI_DLH3	Interrupt Enable Register: EDSSI, Enable Modem Status Interrupt. This is used to enable/disable the generation of Modem Status Interrupt. This is the fourth highest priority interrupt. 0 = disabled 1 = enabled Divisor Latch (High): Bit[3] of the 8 bit DLH register	0x0



Table 156: UART2\_IER\_DLH\_REG (0x50001104)

Bit	Mode	Symbol	Description	Reset
2	r/w	ELSI_DHL2	Interrupt Enable Register: ELSI, Enable Receiver Line Status Interrupt. This is used to enable/disable the generation of Receiver Line Status Interrupt. This is the highest priority interrupt. 0 = disabled 1 = enabled Divisor Latch (High): Bit[2] of the 8 bit DLH register.	0x0
1	r/w	ETBEI_DLH1	Interrupt Enable Register: ETBEI, Enable Transmit Holding Register Empty Interrupt. This is used to enable/disable the generation of Transmitter Holding Register Empty Interrupt. This is the third highest priority interrupt. 0 = disabled 1 = enabled Divisor Latch (High): Bit[1] of the 8 bit DLH register.	0x0
0	r/w	ERBFI_DLH0	Interrupt Enable Register: ERBFI, Enable Received Data Available Interrupt. This is used to enable/disable the generation of Received Data Available Interrupt and the Character Timeout Interrupt (if in FIFO mode and FIFO's enabled). These are the second highest priority interrupts. 0 = disabled 1 = enabled Divisor Latch (High): Bit[0] of the 8 bit DLH register.	0x0

Table 157: UART2\_IIR\_FCR\_REG (0x50001108)

Bit	Mode	Symbol	Description	Reset
15:0	r/w	IIR_FCR	<p>Interrupt Identification Register, reading this register; FIFO Control Register, writing to this register. Interrupt Identification Register: Bits[7:6], FIFO's Enabled (or FIFOSE): This is used to indicate whether the FIFO's are enabled or disabled. 00 = disabled. 11 = enabled. Bits[3:0], Interrupt ID (or IID): This indicates the highest priority pending interrupt which can be one of the following types: 0000 = modem status. 0001 = no interrupt pending. 0010 = THR empty. 0100 = received data available. 0110 = receiver line status. 0111 = busy detect. 1100 = character timeout. Bits[7:6], RCVR Trigger (or RT): This is used to select the trigger level in the receiver FIFO at which the Received Data Available Interrupt will be generated. In auto flow control mode it is used to determine when the rts_n signal will be de-asserted. It also determines when the dma_rx_req_n signal will be asserted when in certain modes of operation. The following trigger levels are supported: 00 = 1 character in the FIFO 01 = FIFO 1/4 full 10 = FIFO 1/2 full 11 = FIFO 2 less than full Bits[5:4], TX Empty Trigger (or TET): This is used to select the empty threshold level at which the THRE Interrupts will be generated when the mode is active. It also determines when the dma_tx_req_n signal will be asserted when in certain modes of operation. The following trigger levels are supported: 00 = FIFO empty 01 = 2 characters in the FIFO 10 = FIFO 1/4 full 11 = FIFO 1/2 full Bit[3], DMA Mode (or DMAM): This determines the DMA signalling mode used for the dma_tx_req_n and dma_rx_req_n output signals. 0 = mode 0 1 = mode 1 Bit[2], XMIT FIFO Reset (or XFIFOR): This resets the control portion of the transmit FIFO and treats the FIFO as empty. Note that this bit is 'self-clearing' and it is not necessary to clear this bit. Bit[1], RCVR FIFO Reset (or RFIFOR): This resets the control portion of the receive FIFO and treats the FIFO as empty. Note that this bit is 'self-clearing' and it is not necessary to clear this bit. Bit[0], FIFO Enable (or FIFOE): This enables/disables the transmit (XMIT) and receive (RCVR) FIFO's. Whenever the value of this bit is changed both the XMIT and RCVR controller portion of FIFO's will be reset.</p>	0x0

Table 158: UART2\_LCR\_REG (0x5000110C)

Bit	Mode	Symbol	Description	Reset
15:8	-	-	Reserved	0x0
7	r/w	UART_DLAB	<p>Divisor Latch Access Bit. This bit is used to enable reading and writing of the Divisor Latch register (DLL and DLH) to set the baud rate of the UART. This bit must be cleared after initial baud rate setup in order to access other registers.</p>	0x0

Table 158: UART2\_LCR\_REG (0x5000110C)

Bit	Mode	Symbol	Description	Reset
6	r/w	UART_BC	Break Control Bit. This is used to cause a break condition to be transmitted to the receiving device. If set to one the serial output is forced to the spacing (logic 0) state. When not in Loopback Mode, as determined by MCR[4], the serial line is forced low until the Break bit is cleared. If active (MCR[6] set to one) the sir_out_n line is continuously pulsed. When in Loopback Mode, the break condition is internally looped back to the receiver and the sir_out_n line is forced low.	0x0
5	-	-	Reserved	0x0
4	r/w	UART_EPS	Even Parity Select. This is used to select between even and odd parity, when parity is enabled (PEN set to one). If set to one, an even number of logic 1s is transmitted or checked. If set to zero, an odd number of logic 1s is transmitted or checked.	0x0
3	r/w	UART_PEN	Parity Enable. This bit is used to enable and disable parity generation and detection in transmitted and received serial character respectively. 0 = parity disabled 1 = parity enabled	0x0
2	r/w	UART_STOP	Number of stop bits. This is used to select the number of stop bits per character that the peripheral transmits and receives. If set to zero, one stop bit is transmitted in the serial data. If set to one and the data bits are set to 5 (LCR[1:0] set to zero) one and a half stop bits is transmitted. Otherwise, two stop bits are transmitted. Note that regardless of the number of stop bits selected, the receiver checks only the first stop bit. 0 = 1 stop bit 1 = 1.5 stop bits when DLS (LCR[1:0]) is zero, else 2 stop bit	0x0
1:0	r/w	UART_DLS	Data Length Select. This is used to select the number of data bits per character that the peripheral transmits and receives. The number of bit that may be selected areas follows: 00 = 5 bits 01 = 6 bits 10 = 7 bits 11 = 8 bits	0x0

Table 159: UART2\_MCR\_REG (0x50001110)

Bit	Mode	Symbol	Description	Reset
15:7	-	-	Reserved	0x0
6	r/w	UART_SIRE	SIR Mode Enable. This is used to enable/disable the IrDA SIR Mode features as described in "IrDA 1.0 SIR Protocol" on page 53. 0 = IrDA SIR Mode disabled 1 = IrDA SIR Mode enabled	0x0
5	r/w	UART_AFCE	Auto Flow Control Enable. When FIFOs are enabled and the Auto Flow Control Enable (AFCE) bit is set, hardware Auto Flow Control is enabled via CTS and RTS. 0 = Auto Flow Control Mode disabled 1 = Auto Flow Control Mode enabled	0x0

Table 159: UART2\_MCR\_REG (0x50001110)

Bit	Mode	Symbol	Description	Reset
4	r/w	UART_LB	<p>LoopBack Bit.</p> <p>This is used to put the UART into a diagnostic mode for test purposes.</p> <p>If operating in UART mode (SIR_MODE not active, MCR[6] set to zero), data on the sout line is held high, while serial data output is looped back to the sin line, internally. In this mode all the interrupts are fully functional. Also, in loopback mode, the modem control inputs (dsr_n, cts_n, ri_n, dcd_n) are disconnected and the modem control outputs (dtr_n, rts_n, out1_n, out2_n) are looped back to the inputs, internally.</p> <p>If operating in infrared mode (SIR_MODE active, MCR[6] set to one), data on the sir_out_n line is held low, while serial data output is inverted and looped back to the sir_in line.</p>	0x0
3	r/w	UART_OUT2	<p>OUT2.</p> <p>This is used to directly control the user-designated Output2 (out2_n) output. The value written to this location is inverted and driven out on out2_n, that is:</p> <p>0 = out2_n de-asserted (logic 1)</p> <p>1 = out2_n asserted (logic 0)</p> <p>Note that in Loopback mode (MCR[4] set to one), the out2_n output is held inactive high while the value of this location is internally looped back to an input.</p>	0x0
2	r/w	UART_OUT1	<p>OUT1.</p> <p>This is used to directly control the user-designated Output1 (out1_n) output. The value written to this location is inverted and driven out on out1_n, that is:</p> <p>0 = out1_n de-asserted (logic 1)</p> <p>1 = out1_n asserted (logic 0)</p> <p>Note that in Loopback mode (MCR[4] set to one), the out1_n output is held inactive high while the value of this location is internally looped back to an input.</p>	0x0
1	r/w	UART_RTS	<p>Request to Send.</p> <p>This is used to directly control the Request to Send (rts_n) output. The Request To Send (rts_n) output is used to inform the modem or data set that the UART is ready to exchange data.</p> <p>When Auto Flow Control is disabled (MCR[5] set to zero), the rts_n signal is set low by programming MCR[1] (RTS) to a high. When Auto Flow Control is enabled (MCR[5] set to one) and FIFOs are enabled (FCR[0] set to one), the rts_n output is controlled in the same way, but is also gated with the receiver FIFO threshold trigger (rts_n is inactive high when above the threshold). The rts_n signal is de-asserted when MCR[1] is set low.</p> <p>Note that in Loopback mode (MCR[4] set to one), the rts_n output is held inactive (high) while the value of this location is internally looped back to an input.</p>	0x0
0	-	-	Reserved	0x0

Table 160: UART2\_LSR\_REG (0x50001114)

Bit	Mode	Symbol	Description	Reset
15:8	-	-	Reserved	0x0

Table 160: UART2\_LSR\_REG (0x50001114)

Bit	Mode	Symbol	Description	Reset
7	r	UART_RFE	Receiver FIFO Error bit. This bit is only relevant when FIFOs are enabled (FCR[0] set to one). This is used to indicate if there is at least one parity error, framing error, or break indication in the FIFO. 0 = no error in RX FIFO 1 = error in RX FIFO This bit is cleared when the LSR is read and the character with the error is at the top of the receiver FIFO and there are no subsequent errors in the FIFO.	0x0
6	r	UART_TEMT	Transmitter Empty bit. If FIFOs enabled (FCR[0] set to one), this bit is set whenever the Transmitter Shift Register and the FIFO are both empty. If FIFOs are disabled, this bit is set whenever the Transmitter Holding Register and the Transmitter Shift Register are both empty.	0x1
5	r	UART_THRE	Transmit Holding Register Empty bit. If THRE mode is disabled (IER[7] set to zero) and regardless of FIFO's being implemented/enabled or not, this bit indicates that the THR or TX FIFO is empty. This bit is set whenever data is transferred from the THR or TX FIFO to the transmitter shift register and no new data has been written to the THR or TX FIFO. This also causes a THRE Interrupt to occur, if the THRE Interrupt is enabled. If both modes are active (IER[7] set to one and FCR[0] set to one respectively), the functionality is switched to indicate the transmitter FIFO is full, and no longer controls THRE interrupts, which are then controlled by the FCR[5:4] threshold setting.	0x1
4	r	UART_B1	Break Interrupt bit. This is used to indicate the detection of a break sequence on the serial input data. If in UART mode (SIR_MODE == Disabled), it is set whenever the serial input, sin, is held in a logic '0' state for longer than the sum of start time + data bits + parity + stop bits. If in infrared mode (SIR_MODE == Enabled), it is set whenever the serial input, sir_in, is continuously pulsed to logic '0' for longer than the sum of start time + data bits + parity + stop bits. A break condition on serial input causes one and only one character, consisting of all zeros, to be received by the UART. In the FIFO mode, the character associated with the break condition is carried through the FIFO and is revealed when the character is at the top of the FIFO. Reading the LSR clears the BI bit. In the non-FIFO mode, the BI indication occurs immediately and persists until the LSR is read.	0x0

Table 160: UART2\_LSR\_REG (0x50001114)

Bit	Mode	Symbol	Description	Reset
3	r	UART_FE	<p>Framing Error bit.</p> <p>This is used to indicate the occurrence of a framing error in the receiver. A framing error occurs when the receiver does not detect a valid STOP bit in the received data.</p> <p>In the FIFO mode, since the framing error is associated with a character received, it is revealed when the character with the framing error is at the top of the FIFO.</p> <p>When a framing error occurs, the UART tries to resynchronize. It does this by assuming that the error was due to the start bit of the next character and then continues receiving the other bit i.e. data, and/or parity and stop. It should be noted that the Framing Error (FE) bit (LSR[3]) is set if a break interrupt has occurred, as indicated by Break Interrupt (BI) bit (LSR[4]).</p> <p>0 = no framing error 1 = framing error</p> <p>Reading the LSR clears the FE bit.</p>	0x0
2	r	UART_PE	<p>Parity Error bit.</p> <p>This is used to indicate the occurrence of a parity error in the receiver if the Parity Enable (PEN) bit (LCR[3]) is set.</p> <p>In the FIFO mode, since the parity error is associated with a character received, it is revealed when the character with the parity error arrives at the top of the FIFO.</p> <p>It should be noted that the Parity Error (PE) bit (LSR[2]) is set if a break interrupt has occurred, as indicated by Break Interrupt (BI) bit (LSR[4]).</p> <p>0 = no parity error 1 = parity error</p> <p>Reading the LSR clears the PE bit.</p>	0x0
1	r	UART_OE	<p>Overrun error bit.</p> <p>This is used to indicate the occurrence of an overrun error. This occurs if a new data character was received before the previous data was read.</p> <p>In the non-FIFO mode, the OE bit is set when a new character arrives in the receiver before the previous character was read from the RBR. When this happens, the data in the RBR is overwritten. In the FIFO mode, an overrun error occurs when the FIFO is full and a new character arrives at the receiver. The data in the FIFO is retained and the data in the receive shift register is lost.</p> <p>0 = no overrun error 1 = overrun error</p> <p>Reading the LSR clears the OE bit.</p>	0x0
0	r	UART_DR	<p>Data Ready bit.</p> <p>This is used to indicate that the receiver contains at least one character in the RBR or the receiver FIFO.</p> <p>0 = no data ready 1 = data ready</p> <p>This bit is cleared when the RBR is read in non-FIFO mode, or when the receiver FIFO is empty, in FIFO mode.</p>	0x0

Table 161: UART2\_MSR\_REG (0x50001118)

Bit	Mode	Symbol	Description	Reset
15:8	-	-	Reserved	0x0

Table 161: UART2\_MSR\_REG (0x50001118)

Bit	Mode	Symbol	Description	Reset
7	r	UART_DCD	<p>Data Carrier Detect.</p> <p>This is used to indicate the current state of the modem control line dcd_n. This bit is the complement of dcd_n. When the Data Carrier Detect input (dcd_n) is asserted it is an indication that the carrier has been detected by the modem or data set.</p> <p>0 = dcd_n input is de-asserted (logic 1) 1 = dcd_n input is asserted (logic 0)</p> <p>In Loopback Mode (MCR[4] set to one), DCD is the same as MCR[3] (Out2).</p>	0x0
6	r	UART_R1	<p>Ring Indicator.</p> <p>This is used to indicate the current state of the modem control line ri_n. This bit is the complement of ri_n. When the Ring Indicator input (ri_n) is asserted it is an indication that a telephone ringing signal has been received by the modem or data set.</p> <p>0 = ri_n input is de-asserted (logic 1) 1 = ri_n input is asserted (logic 0)</p> <p>In Loopback Mode (MCR[4] set to one), RI is the same as MCR[2] (Out1).</p>	0x0
5	-	-	Reserved	0x0
4	r	UART_CTS	<p>Clear to Send.</p> <p>This is used to indicate the current state of the modem control line cts_n. This bit is the complement of cts_n. When the Clear to Send input (cts_n) is asserted it is an indication that the modem or data set is ready to exchange data with the UART Ctrl.</p> <p>0 = cts_n input is de-asserted (logic 1) 1 = cts_n input is asserted (logic 0)</p> <p>In Loopback Mode (MCR[4] = 1), CTS is the same as MCR[1] (RTS).</p>	0x0
3	r	UART_DDCD	<p>Delta Data Carrier Detect.</p> <p>This is used to indicate that the modem control line dcd_n has changed since the last time the MSR was read.</p> <p>0 = no change on dcd_n since last read of MSR 1 = change on dcd_n since last read of MSR</p> <p>Reading the MSR clears the DDCD bit. In Loopback Mode (MCR[4] = 1), DDCD reflects changes on MCR[3] (Out2). Note, if the DDCD bit is not set and the dcd_n signal is asserted (low) and a reset occurs (software or otherwise), then the DDCD bit is set when the reset is removed if the dcd_n signal remains asserted.</p>	0x0
2	r	UART_TERI	<p>Trailing Edge of Ring Indicator.</p> <p>This is used to indicate that a change on the input ri_n (from an active-low to an inactive-high state) has occurred since the last time the MSR was read.</p> <p>0 = no change on ri_n since last read of MSR 1 = change on ri_n since last read of MSR</p> <p>Reading the MSR clears the TERI bit. In Loopback Mode (MCR[4] = 1), TERI reflects when MCR[2] (Out1) has changed state from a high to a low.</p>	0x0
1	-	-	Reserved	0x0



Table 161: UART2\_MSR\_REG (0x50001118)

Bit	Mode	Symbol	Description	Reset
0	r	UART_DCTS	Delta Clear to Send. This is used to indicate that the modem control line cts_n has changed since the last time the MSR was read. 0 = no change on cts_n since last read of MSR 1 = change on cts_n since last read of MSR Reading the MSR clears the DCTS bit. In Loopback Mode (MCR[4] = 1), DCTS reflects changes on MCR[1] (RTS). Note, if the DCTS bit is not set and the cts_n signal is asserted (low) and a reset occurs (software or otherwise), then the DCTS bit is set when the reset is removed if the cts_n signal remains asserted.	0x0

Table 162: UART2\_SCR\_REG (0x5000111C)

Bit	Mode	Symbol	Description	Reset
15:8	-	-	Reserved	0x0
7:0	r/w	UART_SCRATCH_P AD	This register is for programmers to use as a temporary storage space. It has no defined purpose in the UART Ctrl.	0x0

Table 163: UART2\_LPDLL\_REG (0x50001120)

Bit	Mode	Symbol	Description	Reset
15:8	-	-	Reserved	0x0
7:0	r/w	UART_LPDLL	This register makes up the lower 8-bits of a 16-bit, read/write, Low Power Divisor Latch register that contains the baud rate divisor for the UART, which must give a baud rate of 115.2K. This is required for SIR Low Power (minimum pulse width) detection at the receiver. This register may be accessed only when the DLAB bit (LCR[7]) is set. The output low-power baud rate is equal to the serial clock (sclk) frequency divided by sixteen times the value of the baud rate divisor, as follows: Low power baud rate = (serial clock frequency)/(16* divisor) Therefore, a divisor must be selected to give a baud rate of 115.2K. NOTE: When the Low Power Divisor Latch registers (LPDLL and LPDLH) are set to 0, the low-power baud clock is disabled and no low-power pulse detection (or any pulse detection) occurs at the receiver. Also, once the LPDLL is set, at least eight clock cycles of the slowest UART Ctrl clock should be allowed to pass before transmitting or receiving data.	0x0

Table 164: UART2\_LPDLH\_REG (0x50001124)

Bit	Mode	Symbol	Description	Reset
15:8	-	-	Reserved	0x0

Table 164: UART2\_LPDH\_REG (0x50001124)

Bit	Mode	Symbol	Description	Reset
7:0	r/w	UART_LPDH	<p>This register makes up the upper 8-bits of a 16-bit, read/write, Low Power Divisor Latch register that contains the baud rate divisor for the UART, which must give a baud rate of 115.2K. This is required for SIR Low Power (minimum pulse width) detection at the receiver. This register may be accessed only when the DLAB bit (LCR[7]) is set.</p> <p>The output low-power baud rate is equal to the serial clock (sclk) frequency divided by sixteen times the value of the baud rate divisor, as follows:</p> $\text{Low power baud rate} = (\text{serial clock frequency}) / (16 * \text{divisor})$ <p>Therefore, a divisor must be selected to give a baud rate of 115.2K.</p> <p>NOTE: When the Low Power Divisor Latch registers (LPDLL and LPDLH) are set to 0, the low-power baud clock is disabled and no low-power pulse detection (or any pulse detection) occurs at the receiver. Also, once the LPDLH is set, at least eight clock cycles of the slowest UART Ctrl clock should be allowed to pass before transmitting or receiving data.</p>	0x0

Table 165: UART2\_SRBR\_STHR0\_REG (0x50001130)

Bit	Mode	Symbol	Description	Reset
15:8	-	-	Reserved	0x0
7:0	r/w	SRBR_STHRX	<p>Shadow Receive Buffer Register x: This is a shadow register for the RBR and has been allocated sixteen 32-bit locations so as to accommodate burst accesses from the master. This register contains the data byte received on the serial input port (sin) in UART mode or the serial infrared input (sir_in) in infrared mode. The data in this register is valid only if the Data Ready (DR) bit in the Line status Register (LSR) is set. If FIFOs are disabled (FCR[0] set to zero), the data in the RBR must be read before the next data arrives, otherwise it will be overwritten, resulting in an overrun error. If FIFOs are enabled (FCR[0] set to one), this register accesses the head of the receive FIFO. If the receive FIFO is full and this register is not read before the next data character arrives, then the data already in the FIFO will be preserved but any incoming data will be lost. An overrun error will also occur.</p> <p>Shadow Transmit Holding Register 0: This is a shadow register for the THR and has been allocated sixteen 32-bit locations so as to accommodate burst accesses from the master. This register contains data to be transmitted on the serial output port (sout) in UART mode or the serial infrared output (sir_out_n) in infrared mode. Data should only be written to the THR when the THR Empty (THRE) bit (LSR[5]) is set. If FIFO's are disabled (FCR[0] set to zero) and THRE is set, writing a single character to the THR clears the THRE. Any additional writes to the THR before the THRE is set again causes the THR data to be overwritten. If FIFO's are enabled (FCR[0] set to one) and THRE is set, x number of characters of data may be written to the THR before the FIFO is full. The number x (default=16) is determined by the value of FIFO Depth that you set during configuration. Any attempt to write data when the FIFO is full results in the write data being lost.</p>	0x0

Table 166: UART2\_SRBR\_STHR1\_REG (0x50001134)

Bit	Mode	Symbol	Description	Reset
15:8	-	-	Reserved	0x0
7:0	r/w	SRBR_STHRX	<p>Shadow Receive Buffer Register x: This is a shadow register for the RBR and has been allocated sixteen 32-bit locations so as to accommodate burst accesses from the master. This register contains the data byte received on the serial input port (sin) in UART mode or the serial infrared input (sir_in) in infrared mode. The data in this register is valid only if the Data Ready (DR) bit in the Line status Register (LSR) is set. If FIFOs are disabled (FCR[0] set to zero), the data in the RBR must be read before the next data arrives, otherwise it will be overwritten, resulting in an overrun error. If FIFOs are enabled (FCR[0] set to one), this register accesses the head of the receive FIFO. If the receive FIFO is full and this register is not read before the next data character arrives, then the data already in the FIFO will be preserved but any incoming data will be lost. An overrun error will also occur.</p> <p>Shadow Transmit Holding Register 0: This is a shadow register for the THR and has been allocated sixteen 32-bit locations so as to accommodate burst accesses from the master. This register contains data to be transmitted on the serial output port (sout) in UART mode or the serial infrared output (sir_out_n) in infrared mode. Data should only be written to the THR when the THR Empty (THRE) bit (LSR[5]) is set. If FIFO's are disabled (FCR[0] set to zero) and THRE is set, writing a single character to the THR clears the THRE. Any additional writes to the THR before the THRE is set again causes the THR data to be overwritten. If FIFO's are enabled (FCR[0] set to one) and THRE is set, x number of characters of data may be written to the THR before the FIFO is full. The number x (default=16) is determined by the value of FIFO Depth that you set during configuration. Any attempt to write data when the FIFO is full results in the write data being lost.</p>	0x0

Table 167: UART2\_SRBR\_STHR2\_REG (0x50001138)

Bit	Mode	Symbol	Description	Reset
15:8	-	-	Reserved	0x0

Table 167: UART2\_SRBR\_STHR2\_REG (0x50001138)

Bit	Mode	Symbol	Description	Reset
7:0	r/w	SRBR_STHRX	<p>Shadow Receive Buffer Register x: This is a shadow register for the RBR and has been allocated sixteen 32-bit locations so as to accommodate burst accesses from the master. This register contains the data byte received on the serial input port (sin) in UART mode or the serial infrared input (sir_in) in infrared mode. The data in this register is valid only if the Data Ready (DR) bit in the Line status Register (LSR) is set. If FIFOs are disabled (FCR[0] set to zero), the data in the RBR must be read before the next data arrives, otherwise it will be overwritten, resulting in an overrun error. If FIFOs are enabled (FCR[0] set to one), this register accesses the head of the receive FIFO. If the receive FIFO is full and this register is not read before the next data character arrives, then the data already in the FIFO will be preserved but any incoming data will be lost. An overrun error will also occur.</p> <p>Shadow Transmit Holding Register 0: This is a shadow register for the THR and has been allocated sixteen 32-bit locations so as to accommodate burst accesses from the master. This register contains data to be transmitted on the serial output port (sout) in UART mode or the serial infrared output (sir_out_n) in infrared mode. Data should only be written to the THR when the THR Empty (THRE) bit (LSR[5]) is set. If FIFO's are disabled (FCR[0] set to zero) and THRE is set, writing a single character to the THR clears the THRE. Any additional writes to the THR before the THRE is set again causes the THR data to be overwritten. If FIFO's are enabled (FCR[0] set to one) and THRE is set, x number of characters of data may be written to the THR before the FIFO is full. The number x (default=16) is determined by the value of FIFO Depth that you set during configuration. Any attempt to write data when the FIFO is full results in the write data being lost.</p>	0x0

Table 168: UART2\_SRBR\_STHR3\_REG (0x5000113C)

Bit	Mode	Symbol	Description	Reset
15:8	-	-	Reserved	0x0

Table 168: UART2\_SRBR\_STHR3\_REG (0x5000113C)

Bit	Mode	Symbol	Description	Reset
7:0	r/w	SRBR_STHRX	<p>Shadow Receive Buffer Register x: This is a shadow register for the RBR and has been allocated sixteen 32-bit locations so as to accommodate burst accesses from the master. This register contains the data byte received on the serial input port (sin) in UART mode or the serial infrared input (sir_in) in infrared mode. The data in this register is valid only if the Data Ready (DR) bit in the Line status Register (LSR) is set. If FIFOs are disabled (FCR[0] set to zero), the data in the RBR must be read before the next data arrives, otherwise it will be overwritten, resulting in an overrun error. If FIFOs are enabled (FCR[0] set to one), this register accesses the head of the receive FIFO. If the receive FIFO is full and this register is not read before the next data character arrives, then the data already in the FIFO will be preserved but any incoming data will be lost. An overrun error will also occur.</p> <p>Shadow Transmit Holding Register 0: This is a shadow register for the THR and has been allocated sixteen 32-bit locations so as to accommodate burst accesses from the master. This register contains data to be transmitted on the serial output port (sout) in UART mode or the serial infrared output (sir_out_n) in infrared mode. Data should only be written to the THR when the THR Empty (THRE) bit (LSR[5]) is set. If FIFO's are disabled (FCR[0] set to zero) and THRE is set, writing a single character to the THR clears the THRE. Any additional writes to the THR before the THRE is set again causes the THR data to be overwritten. If FIFO's are enabled (FCR[0] set to one) and THRE is set, x number of characters of data may be written to the THR before the FIFO is full. The number x (default=16) is determined by the value of FIFO Depth that you set during configuration. Any attempt to write data when the FIFO is full results in the write data being lost.</p>	0x0

Table 169: UART2\_SRBR\_STHR4\_REG (0x50001140)

Bit	Mode	Symbol	Description	Reset
15:8	-	-	Reserved	0x0

Table 169: UART2\_SRBR\_STHR4\_REG (0x50001140)

Bit	Mode	Symbol	Description	Reset
7:0	r/w	SRBR_STHRX	<p>Shadow Receive Buffer Register x: This is a shadow register for the RBR and has been allocated sixteen 32-bit locations so as to accommodate burst accesses from the master. This register contains the data byte received on the serial input port (sin) in UART mode or the serial infrared input (sir_in) in infrared mode. The data in this register is valid only if the Data Ready (DR) bit in the Line status Register (LSR) is set. If FIFOs are disabled (FCR[0] set to zero), the data in the RBR must be read before the next data arrives, otherwise it will be overwritten, resulting in an overrun error. If FIFOs are enabled (FCR[0] set to one), this register accesses the head of the receive FIFO. If the receive FIFO is full and this register is not read before the next data character arrives, then the data already in the FIFO will be preserved but any incoming data will be lost. An overrun error will also occur.</p> <p>Shadow Transmit Holding Register 0: This is a shadow register for the THR and has been allocated sixteen 32-bit locations so as to accommodate burst accesses from the master. This register contains data to be transmitted on the serial output port (sout) in UART mode or the serial infrared output (sir_out_n) in infrared mode. Data should only be written to the THR when the THR Empty (THRE) bit (LSR[5]) is set. If FIFO's are disabled (FCR[0] set to zero) and THRE is set, writing a single character to the THR clears the THRE. Any additional writes to the THR before the THRE is set again causes the THR data to be overwritten. If FIFO's are enabled (FCR[0] set to one) and THRE is set, x number of characters of data may be written to the THR before the FIFO is full. The number x (default=16) is determined by the value of FIFO Depth that you set during configuration. Any attempt to write data when the FIFO is full results in the write data being lost.</p>	0x0

Table 170: UART2\_SRBR\_STHR5\_REG (0x50001144)

Bit	Mode	Symbol	Description	Reset
15:8	-	-	Reserved	0x0

Table 170: UART2\_SRBR\_STHR5\_REG (0x50001144)

Bit	Mode	Symbol	Description	Reset
7:0	r/w	SRBR_STHRX	<p>Shadow Receive Buffer Register x: This is a shadow register for the RBR and has been allocated sixteen 32-bit locations so as to accommodate burst accesses from the master. This register contains the data byte received on the serial input port (sin) in UART mode or the serial infrared input (sir_in) in infrared mode. The data in this register is valid only if the Data Ready (DR) bit in the Line status Register (LSR) is set. If FIFOs are disabled (FCR[0] set to zero), the data in the RBR must be read before the next data arrives, otherwise it will be overwritten, resulting in an overrun error. If FIFOs are enabled (FCR[0] set to one), this register accesses the head of the receive FIFO. If the receive FIFO is full and this register is not read before the next data character arrives, then the data already in the FIFO will be preserved but any incoming data will be lost. An overrun error will also occur.</p> <p>Shadow Transmit Holding Register 0: This is a shadow register for the THR and has been allocated sixteen 32-bit locations so as to accommodate burst accesses from the master. This register contains data to be transmitted on the serial output port (sout) in UART mode or the serial infrared output (sir_out_n) in infrared mode. Data should only be written to the THR when the THR Empty (THRE) bit (LSR[5]) is set. If FIFO's are disabled (FCR[0] set to zero) and THRE is set, writing a single character to the THR clears the THRE. Any additional writes to the THR before the THRE is set again causes the THR data to be overwritten. If FIFO's are enabled (FCR[0] set to one) and THRE is set, x number of characters of data may be written to the THR before the FIFO is full. The number x (default=16) is determined by the value of FIFO Depth that you set during configuration. Any attempt to write data when the FIFO is full results in the write data being lost.</p>	0x0

Table 171: UART2\_SRBR\_STHR6\_REG (0x50001148)

Bit	Mode	Symbol	Description	Reset
15:8	-	-	Reserved	0x0



Table 171: UART2\_SRBR\_STHR6\_REG (0x50001148)

Bit	Mode	Symbol	Description	Reset
7:0	r/w	SRBR_STHRX	<p>Shadow Receive Buffer Register x: This is a shadow register for the RBR and has been allocated sixteen 32-bit locations so as to accommodate burst accesses from the master. This register contains the data byte received on the serial input port (sin) in UART mode or the serial infrared input (sir_in) in infrared mode. The data in this register is valid only if the Data Ready (DR) bit in the Line status Register (LSR) is set. If FIFOs are disabled (FCR[0] set to zero), the data in the RBR must be read before the next data arrives, otherwise it will be overwritten, resulting in an overrun error. If FIFOs are enabled (FCR[0] set to one), this register accesses the head of the receive FIFO. If the receive FIFO is full and this register is not read before the next data character arrives, then the data already in the FIFO will be preserved but any incoming data will be lost. An overrun error will also occur.</p> <p>Shadow Transmit Holding Register 0: This is a shadow register for the THR and has been allocated sixteen 32-bit locations so as to accommodate burst accesses from the master. This register contains data to be transmitted on the serial output port (sout) in UART mode or the serial infrared output (sir_out_n) in infrared mode. Data should only be written to the THR when the THR Empty (THRE) bit (LSR[5]) is set. If FIFO's are disabled (FCR[0] set to zero) and THRE is set, writing a single character to the THR clears the THRE. Any additional writes to the THR before the THRE is set again causes the THR data to be overwritten. If FIFO's are enabled (FCR[0] set to one) and THRE is set, x number of characters of data may be written to the THR before the FIFO is full. The number x (default=16) is determined by the value of FIFO Depth that you set during configuration. Any attempt to write data when the FIFO is full results in the write data being lost.</p>	0x0

Table 172: UART2\_SRBR\_STHR7\_REG (0x5000114C)

Bit	Mode	Symbol	Description	Reset
15:8	-	-	Reserved	0x0

Table 172: UART2\_SRBR\_STHR7\_REG (0x5000114C)

Bit	Mode	Symbol	Description	Reset
7:0	r/w	SRBR_STHRX	<p>Shadow Receive Buffer Register x: This is a shadow register for the RBR and has been allocated sixteen 32-bit locations so as to accommodate burst accesses from the master. This register contains the data byte received on the serial input port (sin) in UART mode or the serial infrared input (sir_in) in infrared mode. The data in this register is valid only if the Data Ready (DR) bit in the Line status Register (LSR) is set. If FIFOs are disabled (FCR[0] set to zero), the data in the RBR must be read before the next data arrives, otherwise it will be overwritten, resulting in an overrun error. If FIFOs are enabled (FCR[0] set to one), this register accesses the head of the receive FIFO. If the receive FIFO is full and this register is not read before the next data character arrives, then the data already in the FIFO will be preserved but any incoming data will be lost. An overrun error will also occur.</p> <p>Shadow Transmit Holding Register 0: This is a shadow register for the THR and has been allocated sixteen 32-bit locations so as to accommodate burst accesses from the master. This register contains data to be transmitted on the serial output port (sout) in UART mode or the serial infrared output (sir_out_n) in infrared mode. Data should only be written to the THR when the THR Empty (THRE) bit (LSR[5]) is set. If FIFO's are disabled (FCR[0] set to zero) and THRE is set, writing a single character to the THR clears the THRE. Any additional writes to the THR before the THRE is set again causes the THR data to be overwritten. If FIFO's are enabled (FCR[0] set to one) and THRE is set, x number of characters of data may be written to the THR before the FIFO is full. The number x (default=16) is determined by the value of FIFO Depth that you set during configuration. Any attempt to write data when the FIFO is full results in the write data being lost.</p>	0x0

Table 173: UART2\_SRBR\_STHR8\_REG (0x50001150)

Bit	Mode	Symbol	Description	Reset
15:8	-	-	Reserved	0x0

Table 173: UART2\_SRBR\_STHR8\_REG (0x50001150)

Bit	Mode	Symbol	Description	Reset
7:0	r/w	SRBR_STHRX	<p>Shadow Receive Buffer Register x: This is a shadow register for the RBR and has been allocated sixteen 32-bit locations so as to accommodate burst accesses from the master. This register contains the data byte received on the serial input port (sin) in UART mode or the serial infrared input (sir_in) in infrared mode. The data in this register is valid only if the Data Ready (DR) bit in the Line status Register (LSR) is set. If FIFOs are disabled (FCR[0] set to zero), the data in the RBR must be read before the next data arrives, otherwise it will be overwritten, resulting in an overrun error. If FIFOs are enabled (FCR[0] set to one), this register accesses the head of the receive FIFO. If the receive FIFO is full and this register is not read before the next data character arrives, then the data already in the FIFO will be preserved but any incoming data will be lost. An overrun error will also occur.</p> <p>Shadow Transmit Holding Register 0: This is a shadow register for the THR and has been allocated sixteen 32-bit locations so as to accommodate burst accesses from the master. This register contains data to be transmitted on the serial output port (sout) in UART mode or the serial infrared output (sir_out_n) in infrared mode. Data should only be written to the THR when the THR Empty (THRE) bit (LSR[5]) is set. If FIFO's are disabled (FCR[0] set to zero) and THRE is set, writing a single character to the THR clears the THRE. Any additional writes to the THR before the THRE is set again causes the THR data to be overwritten. If FIFO's are enabled (FCR[0] set to one) and THRE is set, x number of characters of data may be written to the THR before the FIFO is full. The number x (default=16) is determined by the value of FIFO Depth that you set during configuration. Any attempt to write data when the FIFO is full results in the write data being lost.</p>	0x0

Table 174: UART2\_SRBR\_STHR9\_REG (0x50001154)

Bit	Mode	Symbol	Description	Reset
15:8	-	-	Reserved	0x0

Table 174: UART2\_SRBR\_STHR9\_REG (0x50001154)

Bit	Mode	Symbol	Description	Reset
7:0	r/w	SRBR_STHRX	<p>Shadow Receive Buffer Register x: This is a shadow register for the RBR and has been allocated sixteen 32-bit locations so as to accommodate burst accesses from the master. This register contains the data byte received on the serial input port (sin) in UART mode or the serial infrared input (sir_in) in infrared mode. The data in this register is valid only if the Data Ready (DR) bit in the Line status Register (LSR) is set. If FIFOs are disabled (FCR[0] set to zero), the data in the RBR must be read before the next data arrives, otherwise it will be overwritten, resulting in an overrun error. If FIFOs are enabled (FCR[0] set to one), this register accesses the head of the receive FIFO. If the receive FIFO is full and this register is not read before the next data character arrives, then the data already in the FIFO will be preserved but any incoming data will be lost. An overrun error will also occur.</p> <p>Shadow Transmit Holding Register 0: This is a shadow register for the THR and has been allocated sixteen 32-bit locations so as to accommodate burst accesses from the master. This register contains data to be transmitted on the serial output port (sout) in UART mode or the serial infrared output (sir_out_n) in infrared mode. Data should only be written to the THR when the THR Empty (THRE) bit (LSR[5]) is set. If FIFO's are disabled (FCR[0] set to zero) and THRE is set, writing a single character to the THR clears the THRE. Any additional writes to the THR before the THRE is set again causes the THR data to be overwritten. If FIFO's are enabled (FCR[0] set to one) and THRE is set, x number of characters of data may be written to the THR before the FIFO is full. The number x (default=16) is determined by the value of FIFO Depth that you set during configuration. Any attempt to write data when the FIFO is full results in the write data being lost.</p>	0x0

Table 175: UART2\_SRBR\_STHR10\_REG (0x50001158)

Bit	Mode	Symbol	Description	Reset
15:8	-	-	Reserved	0x0

Table 175: UART2\_SRBR\_STHR10\_REG (0x50001158)

Bit	Mode	Symbol	Description	Reset
7:0	r/w	SRBR_STHRX	<p>Shadow Receive Buffer Register x: This is a shadow register for the RBR and has been allocated sixteen 32-bit locations so as to accommodate burst accesses from the master. This register contains the data byte received on the serial input port (sin) in UART mode or the serial infrared input (sir_in) in infrared mode. The data in this register is valid only if the Data Ready (DR) bit in the Line status Register (LSR) is set. If FIFOs are disabled (FCR[0] set to zero), the data in the RBR must be read before the next data arrives, otherwise it will be overwritten, resulting in an overrun error. If FIFOs are enabled (FCR[0] set to one), this register accesses the head of the receive FIFO. If the receive FIFO is full and this register is not read before the next data character arrives, then the data already in the FIFO will be preserved but any incoming data will be lost. An overrun error will also occur.</p> <p>Shadow Transmit Holding Register 0: This is a shadow register for the THR and has been allocated sixteen 32-bit locations so as to accommodate burst accesses from the master. This register contains data to be transmitted on the serial output port (sout) in UART mode or the serial infrared output (sir_out_n) in infrared mode. Data should only be written to the THR when the THR Empty (THRE) bit (LSR[5]) is set. If FIFO's are disabled (FCR[0] set to zero) and THRE is set, writing a single character to the THR clears the THRE. Any additional writes to the THR before the THRE is set again causes the THR data to be overwritten. If FIFO's are enabled (FCR[0] set to one) and THRE is set, x number of characters of data may be written to the THR before the FIFO is full. The number x (default=16) is determined by the value of FIFO Depth that you set during configuration. Any attempt to write data when the FIFO is full results in the write data being lost.</p>	0x0

Table 176: UART2\_SRBR\_STHR11\_REG (0x5000115C)

Bit	Mode	Symbol	Description	Reset
15:8	-	-	Reserved	0x0

Table 176: UART2\_SRBR\_STHR11\_REG (0x5000115C)

Bit	Mode	Symbol	Description	Reset
7:0	r/w	SRBR_STHRX	<p>Shadow Receive Buffer Register x: This is a shadow register for the RBR and has been allocated sixteen 32-bit locations so as to accommodate burst accesses from the master. This register contains the data byte received on the serial input port (sin) in UART mode or the serial infrared input (sir_in) in infrared mode. The data in this register is valid only if the Data Ready (DR) bit in the Line status Register (LSR) is set. If FIFOs are disabled (FCR[0] set to zero), the data in the RBR must be read before the next data arrives, otherwise it will be overwritten, resulting in an overrun error. If FIFOs are enabled (FCR[0] set to one), this register accesses the head of the receive FIFO. If the receive FIFO is full and this register is not read before the next data character arrives, then the data already in the FIFO will be preserved but any incoming data will be lost. An overrun error will also occur.</p> <p>Shadow Transmit Holding Register 0: This is a shadow register for the THR and has been allocated sixteen 32-bit locations so as to accommodate burst accesses from the master. This register contains data to be transmitted on the serial output port (sout) in UART mode or the serial infrared output (sir_out_n) in infrared mode. Data should only be written to the THR when the THR Empty (THRE) bit (LSR[5]) is set. If FIFO's are disabled (FCR[0] set to zero) and THRE is set, writing a single character to the THR clears the THRE. Any additional writes to the THR before the THRE is set again causes the THR data to be overwritten. If FIFO's are enabled (FCR[0] set to one) and THRE is set, x number of characters of data may be written to the THR before the FIFO is full. The number x (default=16) is determined by the value of FIFO Depth that you set during configuration. Any attempt to write data when the FIFO is full results in the write data being lost.</p>	0x0

Table 177: UART2\_SRBR\_STHR12\_REG (0x50001160)

Bit	Mode	Symbol	Description	Reset
15:8	-	-	Reserved	0x0

Table 177: UART2\_SRBR\_STHR12\_REG (0x50001160)

Bit	Mode	Symbol	Description	Reset
7:0	r/w	SRBR_STHRX	<p>Shadow Receive Buffer Register x: This is a shadow register for the RBR and has been allocated sixteen 32-bit locations so as to accommodate burst accesses from the master. This register contains the data byte received on the serial input port (sin) in UART mode or the serial infrared input (sir_in) in infrared mode. The data in this register is valid only if the Data Ready (DR) bit in the Line status Register (LSR) is set. If FIFOs are disabled (FCR[0] set to zero), the data in the RBR must be read before the next data arrives, otherwise it will be overwritten, resulting in an overrun error. If FIFOs are enabled (FCR[0] set to one), this register accesses the head of the receive FIFO. If the receive FIFO is full and this register is not read before the next data character arrives, then the data already in the FIFO will be preserved but any incoming data will be lost. An overrun error will also occur.</p> <p>Shadow Transmit Holding Register 0: This is a shadow register for the THR and has been allocated sixteen 32-bit locations so as to accommodate burst accesses from the master. This register contains data to be transmitted on the serial output port (sout) in UART mode or the serial infrared output (sir_out_n) in infrared mode. Data should only be written to the THR when the THR Empty (THRE) bit (LSR[5]) is set. If FIFO's are disabled (FCR[0] set to zero) and THRE is set, writing a single character to the THR clears the THRE. Any additional writes to the THR before the THRE is set again causes the THR data to be overwritten. If FIFO's are enabled (FCR[0] set to one) and THRE is set, x number of characters of data may be written to the THR before the FIFO is full. The number x (default=16) is determined by the value of FIFO Depth that you set during configuration. Any attempt to write data when the FIFO is full results in the write data being lost.</p>	0x0

Table 178: UART2\_SRBR\_STHR13\_REG (0x50001164)

Bit	Mode	Symbol	Description	Reset
15:8	-	-	Reserved	0x0



Table 178: UART2\_SRBR\_STHR13\_REG (0x50001164)

Bit	Mode	Symbol	Description	Reset
7:0	r/w	SRBR_STHRX	<p>Shadow Receive Buffer Register x: This is a shadow register for the RBR and has been allocated sixteen 32-bit locations so as to accommodate burst accesses from the master. This register contains the data byte received on the serial input port (sin) in UART mode or the serial infrared input (sir_in) in infrared mode. The data in this register is valid only if the Data Ready (DR) bit in the Line status Register (LSR) is set. If FIFOs are disabled (FCR[0] set to zero), the data in the RBR must be read before the next data arrives, otherwise it will be overwritten, resulting in an overrun error. If FIFOs are enabled (FCR[0] set to one), this register accesses the head of the receive FIFO. If the receive FIFO is full and this register is not read before the next data character arrives, then the data already in the FIFO will be preserved but any incoming data will be lost. An overrun error will also occur.</p> <p>Shadow Transmit Holding Register 0: This is a shadow register for the THR and has been allocated sixteen 32-bit locations so as to accommodate burst accesses from the master. This register contains data to be transmitted on the serial output port (sout) in UART mode or the serial infrared output (sir_out_n) in infrared mode. Data should only be written to the THR when the THR Empty (THRE) bit (LSR[5]) is set. If FIFO's are disabled (FCR[0] set to zero) and THRE is set, writing a single character to the THR clears the THRE. Any additional writes to the THR before the THRE is set again causes the THR data to be overwritten. If FIFO's are enabled (FCR[0] set to one) and THRE is set, x number of characters of data may be written to the THR before the FIFO is full. The number x (default=16) is determined by the value of FIFO Depth that you set during configuration. Any attempt to write data when the FIFO is full results in the write data being lost.</p>	0x0

Table 179: UART2\_SRBR\_STHR14\_REG (0x50001168)

Bit	Mode	Symbol	Description	Reset
15:8	-	-	Reserved	0x0

Table 179: UART2\_SRBR\_STHR14\_REG (0x50001168)

Bit	Mode	Symbol	Description	Reset
7:0	r/w	SRBR_STHRX	<p>Shadow Receive Buffer Register x: This is a shadow register for the RBR and has been allocated sixteen 32-bit locations so as to accommodate burst accesses from the master. This register contains the data byte received on the serial input port (sin) in UART mode or the serial infrared input (sir_in) in infrared mode. The data in this register is valid only if the Data Ready (DR) bit in the Line status Register (LSR) is set. If FIFOs are disabled (FCR[0] set to zero), the data in the RBR must be read before the next data arrives, otherwise it will be overwritten, resulting in an overrun error. If FIFOs are enabled (FCR[0] set to one), this register accesses the head of the receive FIFO. If the receive FIFO is full and this register is not read before the next data character arrives, then the data already in the FIFO will be preserved but any incoming data will be lost. An overrun error will also occur.</p> <p>Shadow Transmit Holding Register 0: This is a shadow register for the THR and has been allocated sixteen 32-bit locations so as to accommodate burst accesses from the master. This register contains data to be transmitted on the serial output port (sout) in UART mode or the serial infrared output (sir_out_n) in infrared mode. Data should only be written to the THR when the THR Empty (THRE) bit (LSR[5]) is set. If FIFO's are disabled (FCR[0] set to zero) and THRE is set, writing a single character to the THR clears the THRE. Any additional writes to the THR before the THRE is set again causes the THR data to be overwritten. If FIFO's are enabled (FCR[0] set to one) and THRE is set, x number of characters of data may be written to the THR before the FIFO is full. The number x (default=16) is determined by the value of FIFO Depth that you set during configuration. Any attempt to write data when the FIFO is full results in the write data being lost.</p>	0x0

Table 180: UART2\_SRBR\_STHR15\_REG (0x5000116C)

Bit	Mode	Symbol	Description	Reset
15:8	-	-	Reserved	0x0

Table 180: UART2\_SRBR\_STHR15\_REG (0x5000116C)

Bit	Mode	Symbol	Description	Reset
7:0	r/w	SRBR_STHRX	<p>Shadow Receive Buffer Register x: This is a shadow register for the RBR and has been allocated sixteen 32-bit locations so as to accommodate burst accesses from the master. This register contains the data byte received on the serial input port (sin) in UART mode or the serial infrared input (sir_in) in infrared mode. The data in this register is valid only if the Data Ready (DR) bit in the Line status Register (LSR) is set. If FIFOs are disabled (FCR[0] set to zero), the data in the RBR must be read before the next data arrives, otherwise it will be overwritten, resulting in an overrun error. If FIFOs are enabled (FCR[0] set to one), this register accesses the head of the receive FIFO. If the receive FIFO is full and this register is not read before the next data character arrives, then the data already in the FIFO will be preserved but any incoming data will be lost. An overrun error will also occur.</p> <p>Shadow Transmit Holding Register 0: This is a shadow register for the THR and has been allocated sixteen 32-bit locations so as to accommodate burst accesses from the master. This register contains data to be transmitted on the serial output port (sout) in UART mode or the serial infrared output (sir_out_n) in infrared mode. Data should only be written to the THR when the THR Empty (THRE) bit (LSR[5]) is set. If FIFO's are disabled (FCR[0] set to zero) and THRE is set, writing a single character to the THR clears the THRE. Any additional writes to the THR before the THRE is set again causes the THR data to be overwritten. If FIFO's are enabled (FCR[0] set to one) and THRE is set, x number of characters of data may be written to the THR before the FIFO is full. The number x (default=16) is determined by the value of FIFO Depth that you set during configuration. Any attempt to write data when the FIFO is full results in the write data being lost.</p>	0x0

Table 181: UART2\_USR\_REG (0x5000117C)

Bit	Mode	Symbol	Description	Reset
15:5	-	-	Reserved	0x0
4	r	UART_RFF	<p>Receive FIFO Full. This is used to indicate that the receive FIFO is completely full. 0 = Receive FIFO not full 1 = Receive FIFO Full This bit is cleared when the RX FIFO is no longer full.</p>	0x0
3	r	UART_RFNE	<p>Receive FIFO Not Empty. This is used to indicate that the receive FIFO contains one or more entries. 0 = Receive FIFO is empty 1 = Receive FIFO is not empty This bit is cleared when the RX FIFO is empty.</p>	0x0
2	r	UART_TFE	<p>Transmit FIFO Empty. This is used to indicate that the transmit FIFO is completely empty. 0 = Transmit FIFO is not empty 1 = Transmit FIFO is empty This bit is cleared when the TX FIFO is no longer empty.</p>	0x1

Table 181: UART2\_USR\_REG (0x5000117C)

Bit	Mode	Symbol	Description	Reset
1	r	UART_TFNF	Transmit FIFO Not Full. This is used to indicate that the transmit FIFO is not full. 0 = Transmit FIFO is full 1 = Transmit FIFO is not full This bit is cleared when the TX FIFO is full.	0x1
0	-	-	Reserved	0x0

Table 182: UART2\_TFL\_REG (0x50001180)

Bit	Mode	Symbol	Description	Reset
15:0	r	UART_TRANSMIT_FIFO_LEVEL	Transmit FIFO Level. This indicates the number of data entries in the transmit FIFO.	0x0

Table 183: UART2\_RFL\_REG (0x50001184)

Bit	Mode	Symbol	Description	Reset
15:0	r	UART_RECEIVE_FIFO_LEVEL	Receive FIFO Level. This indicates the number of data entries in the receive FIFO.	0x0

Table 184: UART2\_SRR\_REG (0x50001188)

Bit	Mode	Symbol	Description	Reset
15:3	-	-	Reserved	0x0
2	w	UART_XFR	XMIT FIFO Reset. This is a shadow register for the XMIT FIFO Reset bit (FCR[2]). This can be used to remove the burden on software having to store previously written FCR values (which are pretty static) just to reset the transmit FIFO. This resets the control portion of the transmit FIFO and treats the FIFO as empty. Note that this bit is 'self-clearing'. It is not necessary to clear this bit.	0x0
1	w	UART_RFR	RCVR FIFO Reset. This is a shadow register for the RCVR FIFO Reset bit (FCR[1]). This can be used to remove the burden on software having to store previously written FCR values (which are pretty static) just to reset the receive FIFO. This resets the control portion of the receive FIFO and treats the FIFO as empty. Note that this bit is 'self-clearing'. It is not necessary to clear this bit.	0x0
0	w	UART_UR	UART Reset. This asynchronously resets the UART Ctrl and synchronously removes the reset assertion. For a two clock implementation both pclk and sclk domains are reset.	0x0

Table 185: UART2\_SRTS\_REG (0x5000118C)

Bit	Mode	Symbol	Description	Reset
15:1	-	-	Reserved	0x0

Table 185: UART2\_SRTS\_REG (0x5000118C)

Bit	Mode	Symbol	Description	Reset
0	r/w	UART_SHADOW_REQUEST_TO_SEND	<p>Shadow Request to Send.</p> <p>This is a shadow register for the RTS bit (MCR[1]), this can be used to remove the burden of having to perform a read-modify-write on the MCR. This is used to directly control the Request to Send (rts_n) output. The Request To Send (rts_n) output is used to inform the modem or data set that the UART Ctrl is ready to exchange data.</p> <p>When Auto Flow Control is disabled (MCR[5] = 0), the rts_n signal is set low by programming MCR[1] (RTS) to a high.</p> <p>When Auto Flow Control is enabled (MCR[5] = 1) and FIFOs are enabled (FCR[0] = 1), the rts_n output is controlled in the same way, but is also gated with the receiver FIFO threshold trigger (rts_n is inactive high when above the threshold).</p> <p>Note that in Loopback mode (MCR[4] = 1), the rts_n output is held inactive-high while the value of this location is internally looped back to an input.</p>	0x0

Table 186: UART2\_SBCR\_REG (0x50001190)

Bit	Mode	Symbol	Description	Reset
15:1	-	-	Reserved	0x0
0	r/w	UART_SHADOW_BREAK_CONTROL	<p>Shadow Break Control Bit.</p> <p>This is a shadow register for the Break bit (LCR[6]), this can be used to remove the burden of having to performing a read modify write on the LCR. This is used to cause a break condition to be transmitted to the receiving device.</p> <p>If set to one the serial output is forced to the spacing (logic 0) state. When not in Loopback Mode, as determined by MCR[4], the sout line is forced low until the Break bit is cleared.</p> <p>If SIR_MODE active (MCR[6] = 1) the sir_out_n line is continuously pulsed. When in Loopback Mode, the break condition is internally looped back to the receiver.</p>	0x0

Table 187: UART2\_SDMAM\_REG (0x50001194)

Bit	Mode	Symbol	Description	Reset
15:1	-	-	Reserved	0x0
0	r/w	UART_SHADOW_DMA_MODE	<p>Shadow DMA Mode.</p> <p>This is a shadow register for the DMA mode bit (FCR[3]). This can be used to remove the burden of having to store the previously written value to the FCR in memory and having to mask this value so that only the DMA Mode bit gets updated. This determines the DMA signalling mode used for the dma_tx_req_n and dma_rx_req_n output signals.</p> <p>0 = mode 0 1 = mode 1</p>	0x0

Table 188: UART2\_SFE\_REG (0x50001198)

Bit	Mode	Symbol	Description	Reset
15:1	-	-	Reserved	0x0

Table 188: UART2\_SFE\_REG (0x50001198)

Bit	Mode	Symbol	Description	Reset
0	r/w	UART_SHADOW_FIFO_ENABLE	Shadow FIFO Enable. This is a shadow register for the FIFO enable bit (FCR[0]). This can be used to remove the burden of having to store the previously written value to the FCR in memory and having to mask this value so that only the FIFO enable bit gets updated. This enables/disables the transmit (XMIT) and receive (RCVR) FIFOs. If this bit is set to zero (disabled) after being enabled then both the XMIT and RCVR controller portion of FIFOs are reset.	0x0

Table 189: UART2\_SRT\_REG (0x5000119C)

Bit	Mode	Symbol	Description	Reset
15:2	-	-	Reserved	0x0
1:0	r/w	UART_SHADOW_RCVR_TRIGGER	Shadow RCVR Trigger. This is a shadow register for the RCVR trigger bits (FCR[7:6]). This can be used to remove the burden of having to store the previously written value to the FCR in memory and having to mask this value so that only the RCVR trigger bit gets updated. This is used to select the trigger level in the receiver FIFO at which the Received Data Available Interrupt is generated. It also determines when the dma_rx_req_n signal is asserted when DMA Mode (FCR[3]) = 1. The following trigger levels are supported: 00 = 1 character in the FIFO 01 = FIFO $\hat{A}$ ¼ full 10 = FIFO $\hat{A}$ ½ full 11 = FIFO 2 less than full	0x0

Table 190: UART2\_STET\_REG (0x500011A0)

Bit	Mode	Symbol	Description	Reset
15:2	-	-	Reserved	0x0
1:0	r/w	UART_SHADOW_TX_EMPTY_TRIGGER	Shadow TX Empty Trigger. This is a shadow register for the TX empty trigger bits (FCR[5:4]). This can be used to remove the burden of having to store the previously written value to the FCR in memory and having to mask this value so that only the TX empty trigger bit gets updated. This is used to select the empty threshold level at which the THRE Interrupts are generated when the mode is active. The following trigger levels are supported: 00 = FIFO empty 01 = 2 characters in the FIFO 10 = FIFO $\hat{A}$ ¼ full 11 = FIFO $\hat{A}$ ½ full	0x0

Table 191: UART2\_HTX\_REG (0x500011A4)

Bit	Mode	Symbol	Description	Reset
15:1	-	-	Reserved	0x0

Table 191: UART2\_HTX\_REG (0x500011A4)

Bit	Mode	Symbol	Description	Reset
0	r/w	UART_HALT_TX	This register is use to halt transmissions for testing, so that the transmit FIFO can be filled by the master when FIFOs are implemented and enabled. 0 = Halt TX disabled 1 = Halt TX enabled Note, if FIFOs are implemented and not enabled, the setting of the halt TX register has no effect on operation.	0x0

Table 192: UART2\_CPR\_REG (0x500011F4)

Bit	Mode	Symbol	Description	Reset
15:0	r	CPR	Component Parameter Register	0x0

Table 193: UART2\_UCV\_REG (0x500011F8)

Bit	Mode	Symbol	Description	Reset
15:0	r	UCV	Component Version	0x3330382A

Table 194: UART2\_CTR\_REG (0x500011FC)

Bit	Mode	Symbol	Description	Reset
15:0	r	CTR	Component Type Register	0x44570110

Table 195: SPI\_CTRL\_REG (0x50001200)

Bit	Mode	Symbol	Description	Reset
15	r/w	SPI_EN_CTRL	0 = SPI_EN pin disabled in slave mode. Pin SPI_EN is don't care. 1 = SPI_EN pin enabled in slave mode.	0x0
14	r/w	SPI_MINT	0 = Disable SPI_INT_BIT to the Interrupt Controller 1 = Enable SPI_INT_BIT to the Interrupt Controller	0x0
13	r	SPI_INT_BIT	0 = RX Register or FIFO is empty. 1 = SPI interrupt. Data has been transmitted and received-Must be reset by SW by writing to SPI_CLEAR_INT_REG.	0x0
12	r	SPI_DI	Returns the actual value of pin SPI_DIN (delayed with two internal SPI clock cycles)	0x0
11	r	SPI_TXH	0 = TX-FIFO is not full, data can be written. 1 = TX-FIFO is full, data can not be written.	0x0
10	r/w	SPI_FORCE_DO	0 = normal operation 1 = Force SPIDO output level to value of SPI_DO.	0x0
9	r/w	SPI_RST	0 = normal operation 1 = Reset SPI. Same function as SPI_ON except that internal clock remain active.	0x0
8:7	r/w	SPI_WORD	00 = 8 bits mode, only SPI_RX_TX_REG0 used 01 = 16 bit mode, only SPI_RX_TX_REG0 used 10 = 32 bits mode, SPI_RX_TX_REG0 & SPI_RX_TX_REG1 used 11 = 9 bits mode. Only valid in master mode.	0x0



Table 195: SPI\_CTRL\_REG (0x50001200)

Bit	Mode	Symbol	Description	Reset
6	r/w	SPI_SMN	Master/slave mode 0 = Master, 1 = Slave(SPI1 only)	0x0
5	r/w	SPI_DO	Pin SPI_DO output level when SPI is idle or when SPI_FORCE_DO=1	0x0
4:3	r/w	SPI_CLK	Select SPI_CLK clock frequency in master mode:00 = (XTAL) / (CLK_PER_REG *8) 01 = (XTAL) / (CLK_PER_REG *4) 10 = (XTAL) / (CLK_PER_REG *2) 11 = (XTAL) / (CLK_PER_REG *14)	0x0
2	r/w	SPI_POL	Select SPI_CLK polarity. 0 = SPI_CLK is initially low. 1 = SPI_CLK is initially high.	0x0
1	r/w	SPI_PHA	Select SPI_CLK phase. See functional timing diagrams in SPI chapter	0x0
0	r/w	SPI_ON	0 = SPI Module switched off (power saving). Everything is reset except SPI_CTRL_REG0 and SPI_CTRL_REG1. When this bit is cleared the SPI will remain active in master mode until the shift register and holding register are both empty. 1 = SPI Module switched on. Should only be set after all control bits have their desired values. So two writes are needed!	0x0

Table 196: SPI\_RX\_TX\_REG0 (0x50001202)

Bit	Mode	Symbol	Description	Reset
15:0	r0/w	SPI_DATA0	Write: SPI_TX_REG0 output register 0 (TX-FIFO) Read: SPI_RX_REG0 input register 0 (RX-FIFO) In 8 or 9 bits mode bits 15 to 8 are not used, they contain old data.	0x0

Table 197: SPI\_RX\_TX\_REG1 (0x50001204)

Bit	Mode	Symbol	Description	Reset
15:0	r0/w	SPI_DATA1	Write: SPI_TX_REG1 output register 1 (MSB's of TX-FIFO) Read: SPI_RX_REG1 input register 1 (MSB's of RX-FIFO) In 8 or 9 or 16 bits mode bits this register is not used.	0x0

Table 198: SPI\_CLEAR\_INT\_REG (0x50001206)

Bit	Mode	Symbol	Description	Reset
15:0	r0/w	SPI_CLEAR_INT	Writing any value to this register will clear the SPI_CTRL_REG[SPI_INT_BIT] Reading returns 0.	0x0

Table 199: SPI\_CTRL\_REG1 (0x50001208)

Bit	Mode	Symbol	Description	Reset
15:5	-	-	Reserved	0x0
4	r/w	SPI_9BIT_VAL	Determines the value of the first bit in 9 bits SPI mode.	0x0

Table 199: SPI\_CTRL\_REG1 (0x50001208)

Bit	Mode	Symbol	Description	Reset
3	r	SPI_BUSY	0 = The SPI is not busy with a transfer. This means that either no TX-data is available or that the transfers have been suspended due to a full RX-FIFO. The SPIx_CTRL_REG0[SPI_INT_BIT] can be used to distinguish between these situations. 1 = The SPI is busy with a transfer.	0x0
2	r/w	SPI_PRIORITY	0 = The SPI has low priority, the DMA request signals are reset after the corresponding acknowledge. 1 = The SPI has high priority, DMA request signals remain active until the FIFOs are filled/emptied, so the DMA holds the AHB bus.	0x0
1:0	r/w	SPI_FIFO_MODE	0: TX-FIFO and RX-FIFO used (Bidirectional mode). 1: RX-FIFO used (Read Only Mode) TX-FIFO single depth, no flow control 2: TX-FIFO used (Write Only Mode), RX-FIFO single depth, no flow control 3: No FIFOs used (backwards compatible mode)	0x3

Table 200: I2C\_CON\_REG (0x50001300)

Bit	Mode	Symbol	Description	Reset
15:7	-	-	Reserved	0x0
6	r/w	I2C_SLAVE_DISABLE	Slave enabled or disabled after reset is applied, which means software does not have to configure the slave. 0=slave is enabled 1=slave is disabled Software should ensure that if this bit is written with '0', then bit 0 should also be written with a '0'.	0x1
5	r/w	I2C_RESTART_EN	Determines whether RESTART conditions may be sent when acting as a master 0= disable 1=enable	0x1
4	r/w	I2C_10BITADDR_MASTER	Controls whether the controller starts its transfers in 7- or 10-bit addressing mode when acting as a master. 0= 7-bit addressing 1= 10-bit addressing	0x1
3	r/w	I2C_10BITADDR_SLAVE	When acting as a slave, this bit controls whether the controller responds to 7- or 10-bit addresses. 0= 7-bit addressing 1= 10-bit addressing	0x1
2:1	r/w	I2C_SPEED	These bits control at which speed the controller operates. 1= standard mode (100 kbit/s) 2= fast mode (400 kbit/s)	0x2
0	r/w	I2C_MASTER_MODE	This bit controls whether the controller master is enabled. 0= master disabled 1= master enabled Software should ensure that if this bit is written with '1' then bit 6 should also be written with a '1'.	0x1

Table 201: I2C\_TAR\_REG (0x50001304)

Bit	Mode	Symbol	Description	Reset
15:12	-	-	Reserved	0x0

Table 201: I2C\_TAR\_REG (0x50001304)

Bit	Mode	Symbol	Description	Reset
11	r/w	SPECIAL	This bit indicates whether software performs a General Call or START BYTE command. 0: ignore bit 10 GC_OR_START and use IC_TAR normally 1: perform special I2C command as specified in GC_OR_START bit	0x0
10	r/w	GC_OR_START	If bit 11 (SPECIAL) is set to 1, then this bit indicates whether a General Call or START byte command is to be performed by the controller. 0: General Call Address - after issuing a General Call, only writes may be performed. Attempting to issue a read command results in setting bit 6 (TX_ABRT) of the IC_RAW_INTR_STAT register. The controller remains in General Call mode until the SPECIAL bit value (bit 11) is cleared. 1: START BYTE	0x0
9:0	r/w	IC_TAR	This is the target address for any master transaction. When transmitting a General Call, these bits are ignored. To generate a START BYTE, the CPU needs to write only once into these bits. Note: If the IC_TAR and IC_SAR are the same, loopback exists but the FIFOs are shared between master and slave, so full loopback is not feasible. Only one direction loopback mode is supported (simplex), not duplex. A master cannot transmit to itself; it can transmit to only a slave	0x55

Table 202: I2C\_SAR\_REG (0x50001308)

Bit	Mode	Symbol	Description	Reset
15:10	-	-	Reserved	0x0
9:0	r/w	IC_SAR	The IC_SAR holds the slave address when the I2C is operating as a slave. For 7-bit addressing, only IC_SAR[6:0] is used. This register can be written only when the I2C interface is disabled, which corresponds to the IC_ENABLE register being set to 0. Writes at other times have no effect.	0x55

Table 203: I2C\_DATA\_CMD\_REG (0x50001310)

Bit	Mode	Symbol	Description	Reset
15:9	-	-	Reserved	0x0

Table 203: I2C\_DATA\_CMD\_REG (0x50001310)

Bit	Mode	Symbol	Description	Reset
8	r/w	CMD	<p>This bit controls whether a read or a write is performed. This bit does not control the direction when the I2C Ctrl acts as a slave. It controls only the direction when it acts as a master.</p> <p>1 = Read 0 = Write</p> <p>When a command is entered in the TX FIFO, this bit distinguishes the write and read commands. In slave-receiver mode, this bit is a "don't care" because writes to this register are not required. In slave-transmitter mode, a "0" indicates that CPU data is to be transmitted and as DAT or IC_DATA_CMD[7:0]. When programming this bit, you should remember the following: attempting to perform a read operation after a General Call command has been sent results in a TX_ABRT interrupt (bit 6 of the I2C_RAW_INTR_STAT_REG), unless bit 11 (SPECIAL) in the I2C_TAR register has been cleared.</p> <p>If a "1" is written to this bit after receiving a RD_REQ interrupt, then a TX_ABRT interrupt occurs.</p> <p>NOTE: It is possible that while attempting a master I2C read transfer on the controller, a RD_REQ interrupt may have occurred simultaneously due to a remote I2C master addressing the controller. In this type of scenario, it ignores the I2C_DATA_CMD write, generates a TX_ABRT interrupt, and waits to service the RD_REQ interrupt</p>	0x0
7:0	r/w	DAT	<p>This register contains the data to be transmitted or received on the I2C bus. If you are writing to this register and want to perform a read, bits 7:0 (DAT) are ignored by the controller. However, when you read this register, these bits return the value of data received on the controller's interface.</p>	0x0

Table 204: I2C\_SS\_SCL\_HCNT\_REG (0x50001314)

Bit	Mode	Symbol	Description	Reset
15:0	r/w	IC_SS_SCL_HCNT	<p>This register must be set before any I2C bus transaction can take place to ensure proper I/O timing. This register sets the SCL clock high-period count for standard speed. This register can be written only when the I2C interface is disabled which corresponds to the IC_ENABLE register being set to 0. Writes at other times have no effect.</p> <p>The minimum valid value is 6; hardware prevents values less than this being written, and if attempted results in 6 being set.</p> <p>NOTE: This register must not be programmed to a value higher than 65525, because the controller uses a 16-bit counter to flag an I2C bus idle condition when this counter reaches a value of IC_SS_SCL_HCNT + 10.</p>	0x48

Table 205: I2C\_SS\_SCL\_LCNT\_REG (0x50001318)

Bit	Mode	Symbol	Description	Reset
15:0	r/w	IC_SS_SCL_LCNT	This register must be set before any I2C bus transaction can take place to ensure proper I/O timing. This register sets the SCL clock low period count for standard speed. This register can be written only when the I2C interface is disabled which corresponds to the I2C_ENABLE register being set to 0. Writes at other times have no effect. The minimum valid value is 8; hardware prevents values less than this being written, and if attempted, results in 8 being set.	0x4F

Table 206: I2C\_FS\_SCL\_HCNT\_REG (0x5000131C)

Bit	Mode	Symbol	Description	Reset
15:0	r/w	IC_FS_SCL_HCNT	This register must be set before any I2C bus transaction can take place to ensure proper I/O timing. This register sets the SCL clock high-period count for fast speed. It is used in high-speed mode to send the Master Code and START BYTE or General CALL. This register can be written only when the I2C interface is disabled, which corresponds to the I2C_ENABLE register being set to 0. Writes at other times have no effect. The minimum valid value is 6; hardware prevents values less than this being written, and if attempted results in 6 being set.	0x8

Table 207: I2C\_FS\_SCL\_LCNT\_REG (0x50001320)

Bit	Mode	Symbol	Description	Reset
15:0	r/w	IC_FS_SCL_LCNT	This register must be set before any I2C bus transaction can take place to ensure proper I/O timing. This register sets the SCL clock low-period count for fast speed. It is used in high-speed mode to send the Master Code and START BYTE or General CALL. This register can be written only when the I2C interface is disabled, which corresponds to the I2C_ENABLE register being set to 0. Writes at other times have no effect. The minimum valid value is 8; hardware prevents values less than this being written, and if attempted results in 8 being set. For designs with APB_DATA_WIDTH = 8 the order of programming is important to ensure the correct operation of the controller. The lower byte must be programmed first. Then the upper byte is programmed.	0x17

Table 208: I2C\_INTR\_STAT\_REG (0x5000132C)

Bit	Mode	Symbol	Description	Reset
15:12	-	-	Reserved	0x0
11	r	R_GEN_CALL	Set only when a General Call address is received and it is acknowledged. It stays set until it is cleared either by disabling controller or when the CPU reads bit 0 of the I2C_CLR_GEN_CALL register. The controller stores the received data in the Rx buffer.	0x0

Table 208: I2C\_INTR\_STAT\_REG (0x5000132C)

Bit	Mode	Symbol	Description	Reset
10	r	R_START_DET	Indicates whether a START or RESTART condition has occurred on the I2C interface regardless of whether controller is operating in slave or master mode.	0x0
9	r	R_STOP_DET	Indicates whether a STOP condition has occurred on the I2C interface regardless of whether controller is operating in slave or master mode.	0x0
8	r	R_ACTIVITY	This bit captures I2C Ctrl activity and stays set until it is cleared. There are four ways to clear it: => Disabling the I2C Ctrl => Reading the IC_CLR_ACTIVITY register => Reading the IC_CLR_INTR register => System reset Once this bit is set, it stays set unless one of the four methods is used to clear it. Even if the controller module is idle, this bit remains set until cleared, indicating that there was activity on the bus.	0x0
7	r	R_RX_DONE	When the controller is acting as a slave-transmitter, this bit is set to 1 if the master does not acknowledge a transmitted byte. This occurs on the last byte of the transmission, indicating that the transmission is done.	0x0
6	r	R_TX_ABORT	This bit indicates if the controller, as an I2C transmitter, is unable to complete the intended actions on the contents of the transmit FIFO. This situation can occur both as an I2C master or an I2C slave, and is referred to as a "transmit abort". When this bit is set to 1, the I2C_TX_ABORT_SOURCE register indicates the reason why the transmit abort takes places. NOTE: The controller flushes/resets/empties the TX FIFO whenever this bit is set. The TX FIFO remains in this flushed state until the register I2C_CLR_TX_ABORT is read. Once this read is performed, the TX FIFO is then ready to accept more data bytes from the APB interface.	0x0
5	r	R_RD_REQ	This bit is set to 1 when the controller is acting as a slave and another I2C master is attempting to read data from the controller. The controller holds the I2C bus in a wait state (SCL=0) until this interrupt is serviced, which means that the slave has been addressed by a remote master that is asking for data to be transferred. The processor must respond to this interrupt and then write the requested data to the I2C_DATA_CMD register. This bit is set to 0 just after the processor reads the I2C_CLR_RD_REQ register	0x0
4	r	R_TX_EMPTY	This bit is set to 1 when the transmit buffer is at or below the threshold value set in the I2C_TX_TL register. It is automatically cleared by hardware when the buffer level goes above the threshold. When the IC_ENABLE bit 0 is 0, the TX FIFO is flushed and held in reset. There the TX FIFO looks like it has no data within it, so this bit is set to 1, provided there is activity in the master or slave state machines. When there is no longer activity, then with ic_en=0, this bit is set to 0.	0x0
3	r	R_TX_OVER	Set during transmit if the transmit buffer is filled to 32 and the processor attempts to issue another I2C command by writing to the IC_DATA_CMD register. When the module is disabled, this bit keeps its level until the master or slave state machines go into idle, and when ic_en goes to 0, this interrupt is cleared	0x0

Table 208: I2C\_INTR\_STAT\_REG (0x5000132C)

Bit	Mode	Symbol	Description	Reset
2	r	R_RX_FULL	Set when the receive buffer reaches or goes above the RX_TL threshold in the I2C_RX_TL register. It is automatically cleared by hardware when buffer level goes below the threshold. If the module is disabled (I2C_ENABLE[0]=0), the RX FIFO is flushed and held in reset; therefore the RX FIFO is not full. So this bit is cleared once the I2C_ENABLE bit 0 is programmed with a 0, regardless of the activity that continues.	0x0
1	r	R_RX_OVER	Set if the receive buffer is completely filled to 32 and an additional byte is received from an external I2C device. The controller acknowledges this, but any data bytes received after the FIFO is full are lost. If the module is disabled (I2C_ENABLE[0]=0), this bit keeps its level until the master or slave state machines go into idle, and when ic_en goes to 0, this interrupt is cleared.	0x0
0	r	R_RX_UNDER	Set if the processor attempts to read the receive buffer when it is empty by reading from the IC_DATA_CMD register. If the module is disabled (I2C_ENABLE[0]=0), this bit keeps its level until the master or slave state machines go into idle, and when ic_en goes to 0, this interrupt is cleared.	0x0

Table 209: I2C\_INTR\_MASK\_REG (0x50001330)

Bit	Mode	Symbol	Description	Reset
15:12	-	-	Reserved	0x0
11	r/w	M_GEN_CALL	These bits mask their corresponding interrupt status bits in the I2C_INTR_STAT register.	0x1
10	r/w	M_START_DET	These bits mask their corresponding interrupt status bits in the I2C_INTR_STAT register.	0x0
9	r/w	M_STOP_DET	These bits mask their corresponding interrupt status bits in the I2C_INTR_STAT register.	0x0
8	r/w	M_ACTIVITY	These bits mask their corresponding interrupt status bits in the I2C_INTR_STAT register.	0x0
7	r/w	M_RX_DONE	These bits mask their corresponding interrupt status bits in the I2C_INTR_STAT register.	0x1
6	r/w	M_TX_ABRT	These bits mask their corresponding interrupt status bits in the I2C_INTR_STAT register.	0x1
5	r/w	M_RD_REQ	These bits mask their corresponding interrupt status bits in the I2C_INTR_STAT register.	0x1
4	r/w	M_TX_EMPTY	These bits mask their corresponding interrupt status bits in the I2C_INTR_STAT register.	0x1
3	r/w	M_TX_OVER	These bits mask their corresponding interrupt status bits in the I2C_INTR_STAT register.	0x1
2	r/w	M_RX_FULL	These bits mask their corresponding interrupt status bits in the I2C_INTR_STAT register.	0x1
1	r/w	M_RX_OVER	These bits mask their corresponding interrupt status bits in the I2C_INTR_STAT register.	0x1
0	r/w	M_RX_UNDER	These bits mask their corresponding interrupt status bits in the I2C_INTR_STAT register.	0x1



Table 210: I2C\_RAW\_INTR\_STAT\_REG (0x50001334)

Bit	Mode	Symbol	Description	Reset
15:12	-	-	Reserved	0x0
11	r	GEN_CALL	Set only when a General Call address is received and it is acknowledged. It stays set until it is cleared either by disabling controller or when the CPU reads bit 0 of the I2C_CLR_GEN_CALL register. I2C Ctrl stores the received data in the Rx buffer.	0x0
10	r	START_DET	Indicates whether a START or RESTART condition has occurred on the I2C interface regardless of whether controller is operating in slave or master mode.	0x0
9	r	STOP_DET	Indicates whether a STOP condition has occurred on the I2C interface regardless of whether controller is operating in slave or master mode.	0x0
8	r	ACTIVITY	This bit captures I2C Ctrl activity and stays set until it is cleared. There are four ways to clear it: => Disabling the I2C Ctrl => Reading the IC_CLR_ACTIVITY register => Reading the IC_CLR_INTR register => System reset Once this bit is set, it stays set unless one of the four methods is used to clear it. Even if the controller module is idle, this bit remains set until cleared, indicating that there was activity on the bus.	0x0
7	r	RX_DONE	When the controller is acting as a slave-transmitter, this bit is set to 1 if the master does not acknowledge a transmitted byte. This occurs on the last byte of the transmission, indicating that the transmission is done.	0x0
6	r	TX_ABRT	This bit indicates if the controller, as an I2C transmitter, is unable to complete the intended actions on the contents of the transmit FIFO. This situation can occur both as an I2C master or an I2C slave, and is referred to as a "transmit abort". When this bit is set to 1, the I2C_TX_ABRT_SOURCE register indicates the reason why the transmit abort takes places. NOTE: The controller flushes/resets/empties the TX FIFO whenever this bit is set. The TX FIFO remains in this flushed state until the register I2C_CLR_TX_ABRT is read. Once this read is performed, the TX FIFO is then ready to accept more data bytes from the APB interface.	0x0
5	r	RD_REQ	This bit is set to 1 when I2C Ctrl is acting as a slave and another I2C master is attempting to read data from the controller. The controller holds the I2C bus in a wait state (SCL=0) until this interrupt is serviced, which means that the slave has been addressed by a remote master that is asking for data to be transferred. The processor must respond to this interrupt and then write the requested data to the I2C_DATA_CMD register. This bit is set to 0 just after the processor reads the I2C_CLR_RD_REQ register	0x0
4	r	TX_EMPTY	This bit is set to 1 when the transmit buffer is at or below the threshold value set in the I2C_TX_TL register. It is automatically cleared by hardware when the buffer level goes above the threshold. When the IC_ENABLE bit 0 is 0, the TX FIFO is flushed and held in reset. There the TX FIFO looks like it has no data within it, so this bit is set to 1, provided there is activity in the master or slave state machines. When there is no longer activity, then with ic_en=0, this bit is set to 0.	0x0

Table 210: I2C\_RAW\_INTR\_STAT\_REG (0x50001334)

Bit	Mode	Symbol	Description	Reset
3	r	TX_OVER	Set during transmit if the transmit buffer is filled to 32 and the processor attempts to issue another I2C command by writing to the IC_DATA_CMD register. When the module is disabled, this bit keeps its level until the master or slave state machines go into idle, and when ic_en goes to 0, this interrupt is cleared	0x0
2	r	RX_FULL	Set when the receive buffer reaches or goes above the RX_TL threshold in the I2C_RX_TL register. It is automatically cleared by hardware when buffer level goes below the threshold. If the module is disabled (I2C_ENABLE[0]=0), the RX FIFO is flushed and held in reset; therefore the RX FIFO is not full. So this bit is cleared once the I2C_ENABLE bit 0 is programmed with a 0, regardless of the activity that continues.	0x0
1	r	RX_OVER	Set if the receive buffer is completely filled to 32 and an additional byte is received from an external I2C device. The controller acknowledges this, but any data bytes received after the FIFO is full are lost. If the module is disabled (I2C_ENABLE[0]=0), this bit keeps its level until the master or slave state machines go into idle, and when ic_en goes to 0, this interrupt is cleared.	0x0
0	r	RX_UNDER	Set if the processor attempts to read the receive buffer when it is empty by reading from the IC_DATA_CMD register. If the module is disabled (I2C_ENABLE[0]=0), this bit keeps its level until the master or slave state machines go into idle, and when ic_en goes to 0, this interrupt is cleared.	0x0

Table 211: I2C\_RX\_TL\_REG (0x50001338)

Bit	Mode	Symbol	Description	Reset
15:5	-	-	Reserved	0x0
4:0	r/w	RX_TL	Receive FIFO Threshold Level Controls the level of entries (or above) that triggers the RX_FULL interrupt (bit 2 in I2C_RAW_INTR_STAT register). The valid range is 0-31, with the additional restriction that hardware does not allow this value to be set to a value larger than the depth of the buffer. If an attempt is made to do that, the actual value set will be the maximum depth of the buffer. A value of 0 sets the threshold for 1 entry, and a value of 31 sets the threshold for 32 entries.	0x0

Table 212: I2C\_TX\_TL\_REG (0x5000133C)

Bit	Mode	Symbol	Description	Reset
15:5	-	-	Reserved	0x0
4:0	r/w	RX_TL	Transmit FIFO Threshold Level Controls the level of entries (or below) that trigger the TX_EMPTY interrupt (bit 4 in I2C_RAW_INTR_STAT register). The valid range is 0-31, with the additional restriction that it may not be set to value larger than the depth of the buffer. If an attempt is made to do that, the actual value set will be the maximum depth of the buffer. A value of 0 sets the threshold for 0 entries, and a value of 31 sets the threshold for 32 entries..	0x0

Table 213: I2C\_CLR\_INTR\_REG (0x50001340)

Bit	Mode	Symbol	Description	Reset
15:1	-	-	Reserved	0x0
0	r	CLR_INTR	Read this register to clear the combined interrupt, all individual interrupts, and the I2C_TX_ABRT_SOURCE register. This bit does not clear hardware clearable interrupts but software clearable interrupts. Refer to Bit 9 of the I2C_TX_ABRT_SOURCE register for an exception to clearing I2C_TX_ABRT_SOURCE	0x0

Table 214: I2C\_CLR\_RX\_UNDER\_REG (0x50001344)

Bit	Mode	Symbol	Description	Reset
15:1	-	-	Reserved	0x0
0	r	CLR_RX_UNDER	Read this register to clear the RX_UNDER interrupt (bit 0) of the I2C_RAW_INTR_STAT register.	0x0

Table 215: I2C\_CLR\_RX\_OVER\_REG (0x50001348)

Bit	Mode	Symbol	Description	Reset
15:1	-	-	Reserved	0x0
0	r	CLR_RX_OVER	Read this register to clear the RX_OVER interrupt (bit 1) of the I2C_RAW_INTR_STAT register.	0x0

Table 216: I2C\_CLR\_TX\_OVER\_REG (0x5000134C)

Bit	Mode	Symbol	Description	Reset
15:1	-	-	Reserved	0x0
0	r	CLR_TX_OVER	Read this register to clear the TX_OVER interrupt (bit 3) of the I2C_RAW_INTR_STAT register.	0x0

Table 217: I2C\_CLR\_RD\_REQ\_REG (0x50001350)

Bit	Mode	Symbol	Description	Reset
15:1	-	-	Reserved	0x0
0	r	CLR_RD_REQ	Read this register to clear the RD_REQ interrupt (bit 5) of the I2C_RAW_INTR_STAT register.	0x0

Table 218: I2C\_CLR\_TX\_ABRT\_REG (0x50001354)

Bit	Mode	Symbol	Description	Reset
15:1	-	-	Reserved	0x0
0	r	CLR_TX_ABRT	Read this register to clear the TX_ABRT interrupt (bit 6) of the IC_RAW_INTR_STAT register, and the I2C_TX_ABRT_SOURCE register. This also releases the TX FIFO from the flushed/reset state, allowing more writes to the TX FIFO. Refer to Bit 9 of the I2C_TX_ABRT_SOURCE register for an exception to clearing IC_TX_ABRT_SOURCE.	0x0

Table 219: I2C\_CLR\_RX\_DONE\_REG (0x50001358)

Bit	Mode	Symbol	Description	Reset
15:1	-	-	Reserved	0x0
0	r	CLR_RX_DONE	Read this register to clear the RX_DONE interrupt (bit 7) of the I2C_RAW_INTR_STAT register.	0x0

Table 220: I2C\_CLR\_ACTIVITY\_REG (0x5000135C)

Bit	Mode	Symbol	Description	Reset
15:1	-	-	Reserved	0x0
0	r	CLR_ACTIVITY	Reading this register clears the ACTIVITY interrupt if the I2C is not active anymore. If the I2C module is still active on the bus, the ACTIVITY interrupt bit continues to be set. It is automatically cleared by hardware if the module is disabled and if there is no further activity on the bus. The value read from this register to get status of the ACTIVITY interrupt (bit 8) of the IC_RAW_INTR_STAT register	0x0

Table 221: I2C\_CLR\_STOP\_DET\_REG (0x50001360)

Bit	Mode	Symbol	Description	Reset
15:1	-	-	Reserved	0x0
0	r	CLR_ACTIVITY	Reading this register clears the ACTIVITY interrupt if the I2C is not active anymore. If the I2C module is still active on the bus, the ACTIVITY interrupt bit continues to be set. It is automatically cleared by hardware if the module is disabled and if there is no further activity on the bus. The value read from this register to get status of the ACTIVITY interrupt (bit 8) of the IC_RAW_INTR_STAT register.	0x0

Table 222: I2C\_CLR\_START\_DET\_REG (0x50001364)

Bit	Mode	Symbol	Description	Reset
15:1	-	-	Reserved	0x0
0	r	CLR_START_DET	Read this register to clear the START_DET interrupt (bit 10) of the IC_RAW_INTR_STAT register.	0x0

Table 223: I2C\_CLR\_GEN\_CALL\_REG (0x50001368)

Bit	Mode	Symbol	Description	Reset
15:1	-	-	Reserved	0x0
0	r	CLR_GEN_CALL	Read this register to clear the GEN_CALL interrupt (bit 11) of I2C_RAW_INTR_STAT register.	0x0

Table 224: I2C\_ENABLE\_REG (0x5000136C)

Bit	Mode	Symbol	Description	Reset
15:1	-	-	Reserved	0x0

Table 224: I2C\_ENABLE\_REG (0x5000136C)

Bit	Mode	Symbol	Description	Reset
0	r/w	CTRL_ENABLE	<p>Controls whether the controller is enabled.</p> <p>0: Disables the controller (TX and RX FIFOs are held in an erased state)</p> <p>1: Enables the controller</p> <p>Software can disable the controller while it is active. However, it is important that care be taken to ensure that the controller is disabled properly. When the controller is disabled, the following occurs:</p> <ul style="list-style-type: none"> <li>* The TX FIFO and RX FIFO get flushed.</li> <li>* Status bits in the IC_INTR_STAT register are still active until the controller goes into IDLE state.</li> </ul> <p>If the module is transmitting, it stops as well as deletes the contents of the transmit buffer after the current transfer is complete. If the module is receiving, the controller stops the current transfer at the end of the current byte and does not acknowledge the transfer.</p> <p>There is a two ic_clk delay when enabling or disabling the controller</p>	0x0

Table 225: I2C\_STATUS\_REG (0x50001370)

Bit	Mode	Symbol	Description	Reset
15:7	-	-	Reserved	0x0
6	r	SLV_ACTIVITY	<p>Slave FSM Activity Status. When the Slave Finite State Machine (FSM) is not in the IDLE state, this bit is set.</p> <p>0: Slave FSM is in IDLE state so the Slave part of the controller is not Active</p> <p>1: Slave FSM is not in IDLE state so the Slave part of the controller is Active</p>	0x0
5	r	MST_ACTIVITY	<p>Master FSM Activity Status. When the Master Finite State Machine (FSM) is not in the IDLE state, this bit is set.</p> <p>0: Master FSM is in IDLE state so the Master part of the controller is not Active</p> <p>1: Master FSM is not in IDLE state so the Master part of the controller is Active</p>	0x0
4	r	RFF	<p>Receive FIFO Completely Full. When the receive FIFO is completely full, this bit is set. When the receive FIFO contains one or more empty location, this bit is cleared.</p> <p>0: Receive FIFO is not full</p> <p>1: Receive FIFO is full</p>	0x0
3	r	RFNE	<p>Receive FIFO Not Empty. This bit is set when the receive FIFO contains one or more entries; it is cleared when the receive FIFO is empty.</p> <p>0: Receive FIFO is empty</p> <p>1: Receive FIFO is not empty</p>	0x0
2	r	TFE	<p>Transmit FIFO Completely Empty. When the transmit FIFO is completely empty, this bit is set. When it contains one or more valid entries, this bit is cleared. This bit field does not request an interrupt.</p> <p>0: Transmit FIFO is not empty</p> <p>1: Transmit FIFO is empty</p>	0x1
1	r	TFNF	<p>Transmit FIFO Not Full. Set when the transmit FIFO contains one or more empty locations, and is cleared when the FIFO is full.</p> <p>0: Transmit FIFO is full</p> <p>1: Transmit FIFO is not full</p>	0x1

Table 225: I2C\_STATUS\_REG (0x50001370)

Bit	Mode	Symbol	Description	Reset
0	r	I2C_ACTIVITY	I2C Activity Status.	0x0

Table 226: I2C\_TXFLR\_REG (0x50001374)

Bit	Mode	Symbol	Description	Reset
15:6	-	-	Reserved	0x0
5:0	r	TXFLR	Transmit FIFO Level. Contains the number of valid data entries in the transmit FIFO. Size is constrained by the TXFLR value	0x0

Table 227: I2C\_RXFLR\_REG (0x50001378)

Bit	Mode	Symbol	Description	Reset
15:6	-	-	Reserved	0x0
5:0	r	RXFLR	Receive FIFO Level. Contains the number of valid data entries in the receive FIFO. Size is constrained by the RXFLR value	0x0

Table 228: I2C\_SDA\_HOLD\_REG (0x5000137C)

Bit	Mode	Symbol	Description	Reset
15:0	r/w	IC_SDA_HOLD	SDA Hold time	0x1

Table 229: I2C\_TX\_ABRT\_SOURCE\_REG (0x50001380)

Bit	Mode	Symbol	Description	Reset
15	r	ABRT_SLVRD_INTX	1: When the processor side responds to a slave mode request for data to be transmitted to a remote master and user writes a 1 in CMD (bit 8) of I2C_DATA_CMD register	0x0
14	r	ABRT_SLV_ARBLOST	1: Slave lost the bus while transmitting data to a remote master. I2C_TX_ABRT_SOURCE[12] is set at the same time. Note: Even though the slave never "owns" the bus, something could go wrong on the bus. This is a fail safe check. For instance, during a data transmission at the low-to-high transition of SCL, if what is on the data bus is not what is supposed to be transmitted, then the controller no longer own the bus.	0x0
13	r	ABRT_SLVFLUSH_TXFIFO	1: Slave has received a read command and some data exists in the TX FIFO so the slave issues a TX_ABRT interrupt to flush old data in TX FIFO.	0x0
12	r	ARB_LOST	1: Master has lost arbitration, or if I2C_TX_ABRT_SOURCE[14] is also set, then the slave transmitter has lost arbitration. Note: I2C can be both master and slave at the same time.	0x0
11	r	ABRT_MASTER_DIS	1: User tries to initiate a Master operation with the Master mode disabled.	0x0
10	r	ABRT_10B_RD_NORSTR	1: The restart is disabled (IC_RESTART_EN bit (I2C_CON[5]) = 0) and the master sends a read command in 10-bit addressing mode.	0x0

Table 229: I2C\_TX\_ABRT\_SOURCE\_REG (0x50001380)

Bit	Mode	Symbol	Description	Reset
9	r	ABRT_SBYTE_NORSTRT	To clear Bit 9, the source of the ABRT_SBYTE_NORSTRT must be fixed first; restart must be enabled (I2C_CON[5]=1), the SPECIAL bit must be cleared (I2C_TAR[11]), or the GC_OR_START bit must be cleared (I2C_TAR[10]). Once the source of the ABRT_SBYTE_NORSTRT is fixed, then this bit can be cleared in the same manner as other bits in this register. If the source of the ABRT_SBYTE_NORSTRT is not fixed before attempting to clear this bit, bit 9 clears for one cycle and then gets re-asserted. 1: The restart is disabled (IC_RESTART_EN bit (I2C_CON[5]) = 0) and the user is trying to send a START Byte.	0x0
8	r	ABRT_HS_NORSTR T	1: The restart is disabled (IC_RESTART_EN bit (I2C_CON[5]) = 0) and the user is trying to use the master to transfer data in High Speed mode	0x0
7	r	ABRT_SBYTE_ACK DET	1: Master has sent a START Byte and the START Byte was acknowledged (wrong behavior).	0x0
6	r	ABRT_HS_ACKDET	1: Master is in High Speed mode and the High Speed Master code was acknowledged (wrong behavior).	0x0
5	r	ABRT_GCALL_REA D	1: the controller in master mode sent a General Call but the user programmed the byte following the General Call to be a read from the bus (IC_DATA_CMD[9] is set to 1).	0x0
4	r	ABRT_GCALL_NOA CK	1: the controller in master mode sent a General Call and no slave on the bus acknowledged the General Call.	0x0
3	r	ABRT_TXDATA_NO ACK	1: This is a master-mode only bit. Master has received an acknowledgement for the address, but when it sent data byte(s) following the address, it did not receive an acknowledgement from the remote slave(s).	0x0
2	r	ABRT_10ADDR2_N OACK	1: Master is in 10-bit address mode and the second address byte of the 10-bit address was not acknowledged by any slave.	0x0
1	r	ABRT_10ADDR1_N OACK	1: Master is in 10-bit address mode and the first 10-bit address byte was not acknowledged by any slave.	0x0
0	r	ABRT_7B_ADDR_N OACK	1: Master is in 7-bit addressing mode and the address sent was not acknowledged by any slave.	0x0

Table 230: I2C\_SDA\_SETUP\_REG (0x50001394)

Bit	Mode	Symbol	Description	Reset
15:8	-	-	Reserved	0x0
7:0	r/w	SDA_SETUP	SDA Setup. This register controls the amount of time delay (number of I2C clock periods) between the rising edge of SCL and SDA changing by holding SCL low when I2C block services a read request while operating as a slave-transmitter. The relevant I2C requirement is tSU:DAT (note 4) as detailed in the I2C Bus Specification. This register must be programmed with a value equal to or greater than 2. It is recommended that if the required delay is 1000ns, then for an I2C frequency of 10 MHz, IC_SDA_SETUP should be programmed to a value of 11. Writes to this register succeed only when IC_ENABLE[0] = 0.	0x64



Table 231: I2C\_ACK\_GENERAL\_CALL\_REG (0x50001398)

Bit	Mode	Symbol	Description	Reset
15:1	-	-	Reserved	0x0
0	r/w	ACK_GEN_CALL	ACK General Call. When set to 1, I2C Ctrl responds with a ACK (by asserting ic_data_oe) when it receives a General Call. When set to 0, the controller does not generate General Call interrupts.	0x0

Table 232: I2C\_ENABLE\_STATUS\_REG (0x5000139C)

Bit	Mode	Symbol	Description	Reset
15:3	-	-	Reserved	0x0
2	r	SLV_RX_DATA_LOST	Slave Received Data Lost. This bit indicates if a Slave-Receiver operation has been aborted with at least one data byte received from an I2C transfer due to the setting of IC_ENABLE from 1 to 0. When read as 1, the controller is deemed to have been actively engaged in an aborted I2C transfer (with matching address) and the data phase of the I2C transfer has been entered, even though a data byte has been responded with a NACK. NOTE: If the remote I2C master terminates the transfer with a STOP condition before the controller has a chance to NACK a transfer, and IC_ENABLE has been set to 0, then this bit is also set to 1. When read as 0, the controller is deemed to have been disabled without being actively involved in the data phase of a Slave-Receiver transfer. NOTE: The CPU can safely read this bit when IC_EN (bit 0) is read as 0.	0x0
1	r	SLV_DISABLED_WHILE_BUSY	Slave Disabled While Busy (Transmit, Receive). This bit indicates if a potential or active Slave operation has been aborted due to the setting of the IC_ENABLE register from 1 to 0. This bit is set when the CPU writes a 0 to the IC_ENABLE register while: (a) I2C Ctrl is receiving the address byte of the Slave-Transmitter operation from a remote master; OR, (b) address and data bytes of the Slave-Receiver operation from a remote master. When read as 1, the controller is deemed to have forced a NACK during any part of an I2C transfer, irrespective of whether the I2C address matches the slave address set in I2C Ctrl (IC_SAR register) OR if the transfer is completed before IC_ENABLE is set to 0 but has not taken effect. NOTE: If the remote I2C master terminates the transfer with a STOP condition before the the controller has a chance to NACK a transfer, and IC_ENABLE has been set to 0, then this bit will also be set to 1. When read as 0, the controller is deemed to have been disabled when there is master activity, or when the I2C bus is idle. NOTE: The CPU can safely read this bit when IC_EN (bit 0) is read as 0.	0x0

Table 232: I2C\_ENABLE\_STATUS\_REG (0x5000139C)

Bit	Mode	Symbol	Description	Reset
0	r	IC_EN	ic_en Status. This bit always reflects the value driven on the output port ic_en. When read as 1, the controller is deemed to be in an enabled state. When read as 0, the controller is deemed completely inactive. NOTE: The CPU can safely read this bit anytime. When this bit is read as 0, the CPU can safely read SLV_RX_DATA_LOST (bit 2) and SLV_DISABLED_WHILE_BUSY (bit 1).	0x0

Table 233: I2C\_IC\_FS\_SPKLEN\_REG (0x500013A0)

Bit	Mode	Symbol	Description	Reset
15:8	-	-	Reserved	0x0
7:0	r/w	IC_FS_SPKLEN	This register must be set before any I2C bus transaction can take place to ensure stable operation. This register sets the duration, measured in ic_clk cycles, of the longest spike in the SCL or SDA lines that will be filtered out by the spike suppression logic. This register can be written only when the I2C interface is disabled which corresponds to the IC_ENABLE register being set to 0. Writes at other times have no effect. The minimum valid value is 2; hardware prevents values less than this being written, and if attempted results in 2 being set.	0x1

Table 234: GPIO\_IRQ0\_IN\_SEL\_REG (0x50001400)

Bit	Mode	Symbol	Description	Reset
15:6	-	-	Reserved	0x0

Table 234: GPIO\_IRQ0\_IN\_SEL\_REG (0x50001400)

Bit	Mode	Symbol	Description	Reset
5:0	r/w	KBRD_IRQ0_SEL	input selection that can generate a GPIO interrupt 0: no input selected 1: P0[0] is selected 2: P0[1] is selected 3: P0[2] is selected 4: P0[3] is selected 5: P0[4] is selected 6: P0[5] is selected 7: P0[6] is selected 8: P0[7] is selected 9: P1[0] is selected 10: P1[1] is selected 11: P1[2] is selected 12: P1[3] is selected 13: P1[4] is selected 14: P1[5] is selected 15: P2[0] is selected 16: P2[1] is selected 17: P2[2] is selected 18: P2[3] is selected 19: P2[4] is selected 20: P2[5] is selected 21: P2[6] is selected 22: P2[7] is selected 23: P2[8] is selected 24: P2[9] is selected 25: P3[0] is selected 26: P3[1] is selected 27: P3[2] is selected 28: P3[3] is selected 29: P3[4] is selected 30: P3[5] is selected 31: P3[6] is selected 32: P3[7] is selected all others: no input selected	0x0

Table 235: GPIO\_IRQ1\_IN\_SEL\_REG (0x50001402)

Bit	Mode	Symbol	Description	Reset
15:6	-	-	Reserved	0x0
5:0	r/w	KBRD_IRQ1_SEL	see KBRD_IRQ0_SEL	0x0

Table 236: GPIO\_IRQ2\_IN\_SEL\_REG (0x50001404)

Bit	Mode	Symbol	Description	Reset
15:6	-	-	Reserved	0x0
5:0	r/w	KBRD_IRQ2_SEL	see KBRD_IRQ0_SEL	0x0

Table 237: GPIO\_IRQ3\_IN\_SEL\_REG (0x50001406)

Bit	Mode	Symbol	Description	Reset
15:6	-	-	Reserved	0x0
5:0	r/w	KBRD_IRQ3_SEL	see KBRD_IRQ0_SEL	0x0

Table 238: GPIO\_IRQ4\_IN\_SEL\_REG (0x50001408)

Bit	Mode	Symbol	Description	Reset
15:6	-	-	Reserved	0x0
5:0	r/w	KBRD_IRQ4_SEL	see KBRD_IRQ0_SEL	0x0

Table 239: GPIO\_DEBOUNCE\_REG (0x5000140C)

Bit	Mode	Symbol	Description	Reset
15:14	-	-	Reserved	0x0
13	r/w	DEB_ENABLE_KBRD	enables the debounce counter for the KBRD interface	0x0
12	r/w	DEB_ENABLE4	enables the debounce counter for GPIO IRQ4	0x0
11	r/w	DEB_ENABLE3	enables the debounce counter for GPIO IRQ3	0x0
10	r/w	DEB_ENABLE2	enables the debounce counter for GPIO IRQ2	0x0
9	r/w	DEB_ENABLE1	enables the debounce counter for GPIO IRQ1	0x0
8	r/w	DEB_ENABLE0	enables the debounce counter for GPIO IRQ0	0x0
7:6	-	-	Reserved	0x0
5:0	r/w	DEB_VALUE	Keyboard debounce time if enabled. Generate KEYB_INT after specified time. Debounce time: $N * 1 \text{ ms}$ . $N = 0..63$	0x0

Table 240: GPIO\_RESET\_IRQ\_REG (0x5000140E)

Bit	Mode	Symbol	Description	Reset
15:6	-	-	Reserved	0x0
5	r0/w	RESET_KBRD_IRQ	writing a 1 to this bit will reset the KBRD IRQ. Reading returns 0.	0x0
4	r0/w	RESET_GPIO4_IRQ	writing a 1 to this bit will reset the GPIO4 IRQ. Reading returns 0.	0x0
3	r0/w	RESET_GPIO3_IRQ	writing a 1 to this bit will reset the GPIO3 IRQ. Reading returns 0.	0x0
2	r0/w	RESET_GPIO2_IRQ	writing a 1 to this bit will reset the GPIO2 IRQ. Reading returns 0.	0x0
1	r0/w	RESET_GPIO1_IRQ	writing a 1 to this bit will reset the GPIO1 IRQ. Reading returns 0.	0x0
0	r0/w	RESET_GPIO0_IRQ	writing a 1 to this bit will reset the GPIO0 IRQ. Reading returns 0.	0x0

Table 241: GPIO\_INT\_LEVEL\_CTRL\_REG (0x50001410)

Bit	Mode	Symbol	Description	Reset
15:14	-	-	Reserved	0x0
12	r/w	EDGE_LEVELN4	see EDGE_LEVELN0, but for GPIO IRQ4	0x0
11	r/w	EDGE_LEVELN3	see EDGE_LEVELN0, but for GPIO IRQ3	0x0
10	r/w	EDGE_LEVELN2	see EDGE_LEVELN0, but for GPIO IRQ2	0x0
9	r/w	EDGE_LEVELN1	see EDGE_LEVELN0, but for GPIO IRQ1	0x0
8	r/w	EDGE_LEVELN0	0: do not wait for key release after interrupt was reset for GPIO IRQ0, so a new interrupt can be initiated immediately 1: wait for key release after interrupt was reset for IRQ0	0x0
7:6	-	-	Reserved	0x0

Table 241: GPIO\_INT\_LEVEL\_CTRL\_REG (0x50001410)

Bit	Mode	Symbol	Description	Reset
4	r/w	INPUT_LEVEL4	see INPUT_LEVEL0, but for GPIO IRQ4	0x0
3	r/w	INPUT_LEVEL3	see INPUT_LEVEL0, but for GPIO IRQ3	0x0
2	r/w	INPUT_LEVEL2	see INPUT_LEVEL0, but for GPIO IRQ2	0x0
1	r/w	INPUT_LEVEL1	see INPUT_LEVEL0, but for GPIO IRQ1	0x0
0	r/w	INPUT_LEVEL0	0 = selected input will generate GPIO IRQ0 if that input is high. 1 = selected input will generate GPIO IRQ0 if that input is low.	0x0

Table 242: KBRD\_IRQ\_IN\_SEL0\_REG (0x50001412)

Bit	Mode	Symbol	Description	Reset
15	r/w	KBRD_REL	0 = No interrupt on key release 1 = Interrupt also on key release (also debouncing if enabled)	0x0
14	r/w	KBRD_LEVEL	0 = enabled input will generate KBRD IRQ if that input is high. 1 = enabled input will generate KBRD IRQ if that input is low.	0x0
13:8	r/w	KEY_REPEAT	While key is pressed, automatically generate repeating KEYB_INT after specified time unequal to 0. Repeat time: N*1 ms. N = 1..63, N=0 disables the timer.	0x0
7	r/w	KBRD_P07_EN	enable P0[7] for the keyboard interrupt	0x0
6	r/w	KBRD_P06_EN	enable P0[6] for the keyboard interrupt	0x0
5	r/w	KBRD_P05_EN	enable P0[5] for the keyboard interrupt	0x0
4	r/w	KBRD_P04_EN	enable P0[4] for the keyboard interrupt	0x0
3	r/w	KBRD_P03_EN	enable P0[3] for the keyboard interrupt	0x0
2	r/w	KBRD_P02_EN	enable P0[2] for the keyboard interrupt	0x0
1	r/w	KBRD_P01_EN	enable P0[1] for the keyboard interrupt	0x0
0	r/w	KBRD_P00_EN	enable P0[0] for the keyboard interrupt	0x0

Table 243: KBRD\_IRQ\_IN\_SEL1\_REG (0x50001414)

Bit	Mode	Symbol	Description	Reset
15	r/w	KBRD_P15_EN	enable P1[5] for the keyboard interrupt	0x0
14	r/w	KBRD_P14_EN	enable P1[4] for the keyboard interrupt	0x0
13	r/w	KBRD_P13_EN	enable P1[3] for the keyboard interrupt	0x0
12	r/w	KBRD_P12_EN	enable P1[2] for the keyboard interrupt	0x0
11	r/w	KBRD_P11_EN	enable P1[1] for the keyboard interrupt	0x0
10	r/w	KBRD_P10_EN	enable P1[0] for the keyboard interrupt	0x0
9	r/w	KBRD_P29_EN	enable P2[9] for the keyboard interrupt	0x0
8	r/w	KBRD_P28_EN	enable P2[8] for the keyboard interrupt	0x0
7	r/w	KBRD_P27_EN	enable P2[7] for the keyboard interrupt	0x0
6	r/w	KBRD_P26_EN	enable P2[6] for the keyboard interrupt	0x0
5	r/w	KBRD_P25_EN	enable P2[5] for the keyboard interrupt	0x0
4	r/w	KBRD_P24_EN	enable P2[4] for the keyboard interrupt	0x0
3	r/w	KBRD_P23_EN	enable P2[3] for the keyboard interrupt	0x0
2	r/w	KBRD_P22_EN	enable P2[2] for the keyboard interrupt	0x0

Table 243: KBRD\_IRQ\_IN\_SEL1\_REG (0x50001414)

Bit	Mode	Symbol	Description	Reset
1	r/w	KBRD_P21_EN	enable P2[1] for the keyboard interrupt	0x0
0	r/w	KBRD_P20_EN	enable P2[0] for the keyboard interrupt	0x0

Table 244: KBRD\_IRQ\_IN\_SEL2\_REG (0x50001416)

Bit	Mode	Symbol	Description	Reset
7	r/w	KBRD_P37_EN	enable P3[7] for the keyboard interrupt	0x0
6	r/w	KBRD_P36_EN	enable P3[6] for the keyboard interrupt	0x0
5	r/w	KBRD_P35_EN	enable P3[5] for the keyboard interrupt	0x0
4	r/w	KBRD_P34_EN	enable P3[4] for the keyboard interrupt	0x0
3	r/w	KBRD_P33_EN	enable P3[3] for the keyboard interrupt	0x0
2	r/w	KBRD_P32_EN	enable P3[2] for the keyboard interrupt	0x0
1	r/w	KBRD_P31_EN	enable P3[1] for the keyboard interrupt	0x0
0	r/w	KBRD_P30_EN	enable P3[0] for the keyboard interrupt	0x0

Table 245: GP\_ADC\_CTRL\_REG (0x50001500)

Bit	Mode	Symbol	Description	Reset
15	r/w	GP_ADC_LDO_ZERO	Forces LDO-output to 0V.	0x0
14	r/w	GP_ADC_LDO_EN	Turns on LDO.	0x0
13	r/w	GP_ADC_CHOP	Takes two samples with opposite GP_ADC_SIGN to cancel the internal offset voltage of the ADC; Highly recommended for DC-measurements.	0x0
12	r/w	GP_ADC_MUTE	Takes sample at mid-scale (to determine the internal offset and/or noise of the ADC with regards to VDD_REF which is also sampled by the ADC).	0x0
11	r/w	GP_ADC_SE	0 = Differential mode 1 = Single ended mode	0x0
10	r/w	GP_ADC_SIGN	0 = Default 1 = Conversion with opposite sign at input and output to cancel out the internal offset of the ADC and low-frequency	0x0
9:6	r/w	GP_ADC_SEL	ADC input selection which must be set before the GP_ADC_START bit is enabled. If GP_ADC_SE = 1 (single ended mode): 0000 = P0[0] 0001 = P0[1] 0010 = P0[2] 0011 = P0[3] 0100 = AVS 0101 = VDD_REF 0110 = VDD_RTT 0111 = VBAT3V 1000 = VDCDC 1001 = VBAT1V All other combinations are reserved. If GP_ADC_SE = 0 (differential mode): 0000 = P0[0] vs P0[1] All other combinations are P0[2] vs P0[3].	0x0
5	r/w	GP_ADC_MINT	0 = Disable (mask) GP_ADC_INT. 1 = Enable GP_ADC_INT to ICU.	0x0

Table 245: GP\_ADC\_CTRL\_REG (0x50001500)

Bit	Mode	Symbol	Description	Reset
4	r	GP_ADC_INT	1 = AD conversion ready and has generated an interrupt. Must be cleared by writing any value to GP_ADC_CLEAR_INT_REG.	0x0
3	r/w	GP_ADC_CLK_SEL	0 = Internal high-speed ADC clock used. 1 = Digital clock used.	0x0
2	rsvd	GP_ADC_TEST	Reserved, keep 0.	0x0
1	r/w	GP_ADC_START	0 = ADC conversion ready. 1 = If a 1 is written, the ADC starts a conversion. After the conversion this bit will be set to 0 and the GP_ADC_INT bit will be set.	0x0
0	r/w	GP_ADC_EN	0 = ADC is disabled and in reset. 1 = ADC is enabled and sampling of input is started.	0x0

Table 246: GP\_ADC\_CTRL2\_REG (0x50001502)

Bit	Mode	Symbol	Description	Reset
15:4	-	-	Reserved	0x0
3	r/w	GP_ADC_I20U	Adds 20uA constant load current at the ADC LDO to minimize ripple on the reference voltage of the ADC.	0x0
2	r/w	GP_ADC_IDYN	Enables dynamic load current at the ADC LDO to minimize ripple on the reference voltage of the ADC.	0x0
1	r/w	GP_ADC_ATTN3X	0 = Input voltages up to 1.2V allowed. 1 = Input voltages up to 3.6V allowed by enabling 3x attenuator.	0x0
0	r/w	GP_ADC_DELAY_EN	Enables delay function for several signals. This is not auto-cleared. Toggle this bit before every sampling to enable successive conversions.	0x0

Table 247: GP\_ADC\_OFFP\_REG (0x50001504)

Bit	Mode	Symbol	Description	Reset
15:10	-	-	Reserved	0x0
9:0	r/w	GP_ADC_OFFP	Offset adjust of 'positive' array of ADC-network (effective if "GP_ADC_SE=0", or "GP_ADC_SE=1 AND GP_ADC_SIGN=0")	0x200

Table 248: GP\_ADC\_OFFN\_REG (0x50001506)

Bit	Mode	Symbol	Description	Reset
15:10	-	-	Reserved	0x0
9:0	r/w	GP_ADC_OFFN	Offset adjust of 'negative' array of ADC-network (effective if "GP_ADC_SE=0", or "GP_ADC_SE=1 AND GP_ADC_SIGN=1")	0x200

Table 249: GP\_ADC\_CLEAR\_INT\_REG (0x50001508)

Bit	Mode	Symbol	Description	Reset
15:0	r0/w	GP_ADC_CLR_INT	Writing any value to this register will clear the ADC_INT interrupt. Reading returns 0.	0x0



Table 250: GP\_ADC\_RESULT\_REG (0x5000150A)

Bit	Mode	Symbol	Description	Reset
15:10	-	-	Reserved	0x0
9:0	r	GP_ADC_VAL	Returns the 10 bits linear value of the last AD conversion.	0x0

Table 251: GP\_ADC\_DELAY\_REG (0x5000150C)

Bit	Mode	Symbol	Description	Reset
15:8	-	-	Reserved	0x0
7:0	r/w	DEL_LDO_EN	Defines the delay before the LDO enable (GP_ADC_LDO_EN). Reset value is 0 $\mu$ s since the LDO enable should be the first thing to be programmed in the sequence of bringing the GP ADC up.	0x0

Table 252: GP\_ADC\_DELAY2\_REG (0x5000150E)

Bit	Mode	Symbol	Description	Reset
15:8	r/w	DEL_ADC_START	Defines the delay for the GP_ADC_START bit. Reset value is 17 $\mu$ s which is the recommended value to wait before starting the GP ADC. This is the third and last step of bringing up the GP ADC	0x88
7:0	r/w	DEL_ADC_EN	Defines the delay for the GP_ADC_EN bit. Reset value is 16 $\mu$ s which is the recommended value to wait after enabling the LDO. This is the second step in bringing up the GP ADC.	0x80

Table 253: CLK\_REF\_SEL\_REG (0x50001600)

Bit	Mode	Symbol	Description	Reset
15:3	-	-	Reserved	0x0
2	r/w	REF_CAL_START	Writing a '1' starts a calibration. This bit is cleared when calibration is finished, and CLK_REF_VAL is ready.	0x0
1:0	r/w	REF_CLK_SEL	Select clock input for calibration: 0x0 : RC32KHz oscillator  0x1 : RC16MHz oscillator  0x2 : XTAL32KHz oscillator  0x3 : RCX32KHz oscillator	0x0

Table 254: CLK\_REF\_CNT\_REG (0x50001602)

Bit	Mode	Symbol	Description	Reset
15:0	r/w	REF_CNT_VAL	Indicates the calibration time, with a decrement counter to 1.	0x0

Table 255: CLK\_REF\_VAL\_L\_REG (0x50001604)

Bit	Mode	Symbol	Description	Reset
15:0	r	XTAL_CNT_VAL	Returns the lower 16 bits of XTAL16 clock cycles during the calibration time, defined with REF_CNT_VAL	0x0

Table 256: CLK\_REF\_VAL\_H\_REG (0x50001606)

Bit	Mode	Symbol	Description	Reset
15:0	r	XTAL_CNT_VAL	Returns the upper 16 bits of XTAL16 clock cycles during the calibration time, defined with REF_CNT_VAL	0x0

Table 257: P0\_DATA\_REG (0x50003000)

Bit	Mode	Symbol	Description	Reset
15:8	-	-	Reserved	0x0
7:0	r/w	P0_DATA	Set P0 output register when written; Returns the value of P0 port when read	0x0

Table 258: P0\_SET\_DATA\_REG (0x50003002)

Bit	Mode	Symbol	Description	Reset
15:8	-	-	Reserved	0x0
7:0	r/w	P0_SET	Writing a 1 to P0[y] sets P0[y] to 1. Writing 0 is discarded; Reading returns 0	0x0

Table 259: P0\_RESET\_DATA\_REG (0x50003004)

Bit	Mode	Symbol	Description	Reset
15:8	-	-	Reserved	0x0
7:0	r/w	P0_RESET	Writing a 1 to P0[y] sets P0[y] to 0. Writing 0 is discarded; Reading returns 0	0x0

Table 260: P00\_MODE\_REG (0x50003006)

Bit	Mode	Symbol	Description	Reset
15:10	-	-	Reserved	0x0
9:8	r/w	PUPD	00 = Input, no resistors selected 01 = Input, pull-up selected 10 = Input, Pull-down selected 11 = Output, no resistors selected In ADC mode, these bits are don't care	0x2
7:5	-	-	Reserved	0x0

Table 260: P00\_MODE\_REG (0x50003006)

Bit	Mode	Symbol	Description	Reset
4:0	r/w	PID	Function of port 0 = Port function, PUPD as set above 1 = UART1_RX 2 = UART1_TX 3 = UART2_RX 4 = UART2_TX 5 = SPI_DI 6 = SPI_DO 7 = SPI_CLK 8 = SPI_EN 9 = I2C_SCL 10 = I2C_SDA 11 = UART1_IRDA_RX 12 = UART1_IRDA_TX 13 = UART2_IRDA_RX 14 = UART2_IRDA_TX 15 = ADC (only for P0[3:0]) 16 = PWM0 17 = PWM1 18 = BLE_DIAG (only for P0[7:0]) 19 = UART1_CTSN 20 = UART1_RTSN 21 = UART2_CTSN 22 = UART2_RTSN 23 = PWM2 24 = PWM3 25 = PWM4 Note: when a certain input function (like SPI_DI) is selected on more than 1 port pin, the port with the lowest index has the highest priority and P0 has higher priority than P1.	0x0

Table 261: P01\_MODE\_REG (0x50003008)

Bit	Mode	Symbol	Description	Reset
15:10	-	-	Reserved	0x0
9:8	r/w	PUPD	00 = Input, no resistors selected 01 = Input, pull-up selected 10 = Input, Pull-down selected 11 = Output, no resistors selected In ADC mode, these bits are don't care	0x2
7:5	-	-	Reserved	0x0

Table 261: P01\_MODE\_REG (0x50003008)

Bit	Mode	Symbol	Description	Reset
4:0	r/w	PID	Function of port 0 = Port function, PUPD as set above 1 = UART1_RX 2 = UART1_TX 3 = UART2_RX 4 = UART2_TX 5 = SPI_DI 6 = SPI_DO 7 = SPI_CLK 8 = SPI_EN 9 = I2C_SCL 10 = I2C_SDA 11 = UART1_IRDA_RX 12 = UART1_IRDA_TX 13 = UART2_IRDA_RX 14 = UART2_IRDA_TX 15 = ADC (only for P0[3:0]) 16 = PWM0 17 = PWM1 18 = BLE_DIAG (only for P0[7:0]) 19 = UART1_CTSN 20 = UART1_RTSN 21 = UART2_CTSN 22 = UART2_RTSN 23 = PWM2 24 = PWM3 25 = PWM4 Note: when a certain input function (like SPI_DI) is selected on more than 1 port pin, the port with the lowest index has the highest priority and P0 has higher priority than P1.	0x0

Table 262: P02\_MODE\_REG (0x5000300A)

Bit	Mode	Symbol	Description	Reset
15:10	-	-	Reserved	0x0
9:8	r/w	PUPD	00 = Input, no resistors selected 01 = Input, pull-up selected 10 = Input, Pull-down selected 11 = Output, no resistors selected In ADC mode, these bits are don't care	0x2
7:5	-	-	Reserved	0x0

Table 262: P02\_MODE\_REG (0x5000300A)

Bit	Mode	Symbol	Description	Reset
4:0	r/w	PID	Function of port 0 = Port function, PUPD as set above 1 = UART1_RX 2 = UART1_TX 3 = UART2_RX 4 = UART2_TX 5 = SPI_DI 6 = SPI_DO 7 = SPI_CLK 8 = SPI_EN 9 = I2C_SCL 10 = I2C_SDA 11 = UART1_IRDA_RX 12 = UART1_IRDA_TX 13 = UART2_IRDA_RX 14 = UART2_IRDA_TX 15 = ADC (only for P0[3:0]) 16 = PWM0 17 = PWM1 18 = BLE_DIAG (only for P0[7:0]) 19 = UART1_CTSN 20 = UART1_RTSN 21 = UART2_CTSN 22 = UART2_RTSN 23 = PWM2 24 = PWM3 25 = PWM4 Note: when a certain input function (like SPI_DI) is selected on more than 1 port pin, the port with the lowest index has the highest priority and P0 has higher priority than P1.	0x0

Table 263: P03\_MODE\_REG (0x5000300C)

Bit	Mode	Symbol	Description	Reset
15:10	-	-	Reserved	0x0
9:8	r/w	PUPD	00 = Input, no resistors selected 01 = Input, pull-up selected 10 = Input, Pull-down selected 11 = Output, no resistors selected In ADC mode, these bits are don't care	0x2
7:5	-	-	Reserved	0x0

Table 263: P03\_MODE\_REG (0x5000300C)

Bit	Mode	Symbol	Description	Reset
4:0	r/w	PID	Function of port 0 = Port function, PUPD as set above 1 = UART1_RX 2 = UART1_TX 3 = UART2_RX 4 = UART2_TX 5 = SPI_DI 6 = SPI_DO 7 = SPI_CLK 8 = SPI_EN 9 = I2C_SCL 10 = I2C_SDA 11 = UART1_IRDA_RX 12 = UART1_IRDA_TX 13 = UART2_IRDA_RX 14 = UART2_IRDA_TX 15 = ADC (only for P0[3:0]) 16 = PWM0 17 = PWM1 18 = BLE_DIAG (only for P0[7:0]) 19 = UART1_CTSN 20 = UART1_RTSN 21 = UART2_CTSN 22 = UART2_RTSN 23 = PWM2 24 = PWM3 25 = PWM4 Note: when a certain input function (like SPI_DI) is selected on more than 1 port pin, the port with the lowest index has the highest priority and P0 has higher priority than P1.	0x0

Table 264: P04\_MODE\_REG (0x5000300E)

Bit	Mode	Symbol	Description	Reset
15:10	-	-	Reserved	0x0
9:8	r/w	PUPD	00 = Input, no resistors selected 01 = Input, pull-up selected 10 = Input, Pull-down selected 11 = Output, no resistors selected In ADC mode, these bits are don't care	0x2
7:5	-	-	Reserved	0x0

Table 264: P04\_MODE\_REG (0x5000300E)

Bit	Mode	Symbol	Description	Reset
4:0	r/w	PID	Function of port 0 = Port function, PUPD as set above 1 = UART1_RX 2 = UART1_TX 3 = UART2_RX 4 = UART2_TX 5 = SPI_DI 6 = SPI_DO 7 = SPI_CLK 8 = SPI_EN 9 = I2C_SCL 10 = I2C_SDA 11 = UART1_IRDA_RX 12 = UART1_IRDA_TX 13 = UART2_IRDA_RX 14 = UART2_IRDA_TX 15 = ADC (only for P0[3:0]) 16 = PWM0 17 = PWM1 18 = BLE_DIAG (only for P0[7:0]) 19 = UART1_CTSN 20 = UART1_RTSN 21 = UART2_CTSN 22 = UART2_RTSN 23 = PWM2 24 = PWM3 25 = PWM4 Note: when a certain input function (like SPI_DI) is selected on more than 1 port pin, the port with the lowest index has the highest priority and P0 has higher priority than P1.	0x0

Table 265: P05\_MODE\_REG (0x50003010)

Bit	Mode	Symbol	Description	Reset
15:10	-	-	Reserved	0x0
9:8	r/w	PUPD	00 = Input, no resistors selected 01 = Input, pull-up selected 10 = Input, Pull-down selected 11 = Output, no resistors selected In ADC mode, these bits are don't care	0x2
7:5	-	-	Reserved	0x0



Table 265: P05\_MODE\_REG (0x50003010)

Bit	Mode	Symbol	Description	Reset
4:0	r/w	PID	Function of port 0 = Port function, PUPD as set above 1 = UART1_RX 2 = UART1_TX 3 = UART2_RX 4 = UART2_TX 5 = SPI_DI 6 = SPI_DO 7 = SPI_CLK 8 = SPI_EN 9 = I2C_SCL 10 = I2C_SDA 11 = UART1_IRDA_RX 12 = UART1_IRDA_TX 13 = UART2_IRDA_RX 14 = UART2_IRDA_TX 15 = ADC (only for P0[3:0]) 16 = PWM0 17 = PWM1 18 = BLE_DIAG (only for P0[7:0]) 19 = UART1_CTSN 20 = UART1_RTSN 21 = UART2_CTSN 22 = UART2_RTSN 23 = PWM2 24 = PWM3 25 = PWM4 Note: when a certain input function (like SPI_DI) is selected on more than 1 port pin, the port with the lowest index has the highest priority and P0 has higher priority than P1.	0x0

Table 266: P06\_MODE\_REG (0x50003012)

Bit	Mode	Symbol	Description	Reset
15:10	-	-	Reserved	0x0
9:8	r/w	PUPD	00 = Input, no resistors selected 01 = Input, pull-up selected 10 = Input, Pull-down selected 11 = Output, no resistors selected In ADC mode, these bits are don't care	0x2
7:5	-	-	Reserved	0x0

Table 266: P06\_MODE\_REG (0x50003012)

Bit	Mode	Symbol	Description	Reset
4:0	r/w	PID	Function of port 0 = Port function, PUPD as set above 1 = UART1_RX 2 = UART1_TX 3 = UART2_RX 4 = UART2_TX 5 = SPI_DI 6 = SPI_DO 7 = SPI_CLK 8 = SPI_EN 9 = I2C_SCL 10 = I2C_SDA 11 = UART1_IRDA_RX 12 = UART1_IRDA_TX 13 = UART2_IRDA_RX 14 = UART2_IRDA_TX 15 = ADC (only for P0[3:0]) 16 = PWM0 17 = PWM1 18 = BLE_DIAG (only for P0[7:0]) 19 = UART1_CTSN 20 = UART1_RTSN 21 = UART2_CTSN 22 = UART2_RTSN 23 = PWM2 24 = PWM3 25 = PWM4 Note: when a certain input function (like SPI_DI) is selected on more than 1 port pin, the port with the lowest index has the highest priority and P0 has higher priority than P1.	0x0

Table 267: P07\_MODE\_REG (0x50003014)

Bit	Mode	Symbol	Description	Reset
15:10	-	-	Reserved	0x0
9:8	r/w	PUPD	00 = Input, no resistors selected 01 = Input, pull-up selected 10 = Input, Pull-down selected 11 = Output, no resistors selected In ADC mode, these bits are don't care	0x2
7:5	-	-	Reserved	0x0

Table 267: P07\_MODE\_REG (0x50003014)

Bit	Mode	Symbol	Description	Reset
4:0	r/w	PID	Function of port 0 = Port function, PUPD as set above 1 = UART1_RX 2 = UART1_TX 3 = UART2_RX 4 = UART2_TX 5 = SPI_DI 6 = SPI_DO 7 = SPI_CLK 8 = SPI_EN 9 = I2C_SCL 10 = I2C_SDA 11 = UART1_IRDA_RX 12 = UART1_IRDA_TX 13 = UART2_IRDA_RX 14 = UART2_IRDA_TX 15 = ADC (only for P0[3:0]) 16 = PWM0 17 = PWM1 18 = BLE_DIAG (only for P0[7:0]) 19 = UART1_CTSN 20 = UART1_RTSEN 21 = UART2_CTSN 22 = UART2_RTSEN 23 = PWM2 24 = PWM3 25 = PWM4 Note: when a certain input function (like SPI_DI) is selected on more than 1 port pin, the port with the lowest index has the highest priority and P0 has higher priority than P1.	0x0

Table 268: P1\_DATA\_REG (0x50003020)

Bit	Mode	Symbol	Description	Reset
15:8	-	-	Reserved	0x0
7:0	r/w	P1_DATA	Set P1 output register when written; Returns the value of P1 port when read	0x0

Table 269: P1\_SET\_DATA\_REG (0x50003022)

Bit	Mode	Symbol	Description	Reset
15:8	-	-	Reserved	0x0
7:0	r/w	P1_SET	Writing a 1 to P1[y] sets P1[y] to 1. Writing 0 is discarded; Reading returns 0	0x0

Table 270: P1\_RESET\_DATA\_REG (0x50003024)

Bit	Mode	Symbol	Description	Reset
15:8	-	-	Reserved	0x0
7:0	r/w	P1_RESET	Writing a 1 to P1[y] sets P1[y] to 0. Writing 0 is discarded; Reading returns 0	0x0

Table 271: P10\_MODE\_REG (0x50003026)

Bit	Mode	Symbol	Description	Reset
15:10	-	-	Reserved	0x0
9:8	r/w	PUPD	00 = Input, no resistors selected 01 = Input, pull-up selected 10 = Input, Pull-down selected 11 = Output, no resistors selected In analog mode, these bits are don't care P14_MODE_REG and P15_MODE_REG reset value is 1 (i.e. pulled up)	0x2
7:5	-	-	Reserved	0x0
4:0	r/w	PID	See P0x_MODE_REG[PID]	0x0

Table 272: P11\_MODE\_REG (0x50003028)

Bit	Mode	Symbol	Description	Reset
15:10	-	-	Reserved	0x0
9:8	r/w	PUPD	00 = Input, no resistors selected 01 = Input, pull-up selected 10 = Input, Pull-down selected 11 = Output, no resistors selected In analog mode, these bits are don't care P14_MODE_REG and P15_MODE_REG reset value is 1 (i.e. pulled up)	0x2
7:5	-	-	Reserved	0x0
4:0	r/w	PID	See P0x_MODE_REG[PID]	0x0

Table 273: P12\_MODE\_REG (0x5000302A)

Bit	Mode	Symbol	Description	Reset
15:10	-	-	Reserved	0x0
9:8	r/w	PUPD	00 = Input, no resistors selected 01 = Input, pull-up selected 10 = Input, Pull-down selected 11 = Output, no resistors selected In analog mode, these bits are don't care P14_MODE_REG and P15_MODE_REG reset value is 1 (i.e. pulled up)	0x2
7:5	-	-	Reserved	0x0
4:0	r/w	PID	See P0x_MODE_REG[PID]	0x0

Table 274: P13\_MODE\_REG (0x5000302C)

Bit	Mode	Symbol	Description	Reset
15:10	-	-	Reserved	0x0
9:8	r/w	PUPD	00 = Input, no resistors selected 01 = Input, pull-up selected 10 = Input, Pull-down selected 11 = Output, no resistors selected In analog mode, these bits are don't care P14_MODE_REG and P15_MODE_REG reset value is 1 (i.e. pulled up)	0x2
7:5	-	-	Reserved	0x0

Table 274: P13\_MODE\_REG (0x5000302C)

Bit	Mode	Symbol	Description	Reset
4:0	r/w	PID	See P0x_MODE_REG[PID]	0x0

Table 275: P14\_MODE\_REG (0x5000302E)

Bit	Mode	Symbol	Description	Reset
15:10	-	-	Reserved	0x0
9:8	r/w	PUPD	00 = Input, no resistors selected 01 = Input, pull-up selected 10 = Input, Pull-down selected 11 = Output, no resistors selected In analog mode, these bits are don't care P14_MODE_REG and P15_MODE_REG reset value is 1 (i.e. pulled up)	0x2
7:5	-	-	Reserved	0x0
4:0	r/w	PID	See P0x_MODE_REG[PID]	0x0

Table 276: P15\_MODE\_REG (0x50003030)

Bit	Mode	Symbol	Description	Reset
15:10	-	-	Reserved	0x0
9:8	r/w	PUPD	00 = Input, no resistors selected 01 = Input, pull-up selected 10 = Input, Pull-down selected 11 = Output, no resistors selected In analog mode, these bits are don't care P14_MODE_REG and P15_MODE_REG reset value is 1 (i.e. pulled up)	0x1
7:5	-	-	Reserved	0x0
4:0	r/w	PID	See P0x_MODE_REG[PID]	0x0

Table 277: P2\_DATA\_REG (0x50003040)

Bit	Mode	Symbol	Description	Reset
15:10	-	-	Reserved	0x0
9:0	r/w	P2_DATA	Set P2 output register when written; Returns the value of P2 port when read	0x0

Table 278: P2\_SET\_DATA\_REG (0x50003042)

Bit	Mode	Symbol	Description	Reset
15:10	-	-	Reserved	0x0
9:0	r/w	P2_SET	Writing a 1 to P2[y] sets P2[y] to 1. Writing 0 is discarded; Reading returns 0	0x0

Table 279: P2\_RESET\_DATA\_REG (0x50003044)

Bit	Mode	Symbol	Description	Reset
15:10	-	-	Reserved	0x0
9:0	r/w	P2_RESET	Writing a 1 to P2[y] sets P2[y] to 0. Writing 0 is discarded; Reading returns 0	0x0

Table 280: P20\_MODE\_REG (0x50003046)

Bit	Mode	Symbol	Description	Reset
15:10	-	-	Reserved	0x0
9:8	r/w	PUPD	00 = Input, no resistors selected 01 = Input, pull-up selected 10 = Input, Pull-down selected 11 = Output, no resistors selected In analog mode, these bits are don't care	0x2
7:5	-	-	Reserved	0x0
4:0	r/w	PID	See P0x_MODE_REG[PID]	0x0

Table 281: P21\_MODE\_REG (0x50003048)

Bit	Mode	Symbol	Description	Reset
15:10	-	-	Reserved	0x0
9:8	r/w	PUPD	00 = Input, no resistors selected 01 = Input, pull-up selected 10 = Input, Pull-down selected 11 = Output, no resistors selected In analog mode, these bits are don't care	0x2
7:5	-	-	Reserved	0x0
4:0	r/w	PID	See P0x_MODE_REG[PID]	0x0

Table 282: P22\_MODE\_REG (0x5000304A)

Bit	Mode	Symbol	Description	Reset
15:10	-	-	Reserved	0x0
9:8	r/w	PUPD	00 = Input, no resistors selected 01 = Input, pull-up selected 10 = Input, Pull-down selected 11 = Output, no resistors selected In analog mode, these bits are don't care	0x2
7:5	-	-	Reserved	0x0
4:0	r/w	PID	See P0x_MODE_REG[PID]	0x0

Table 283: P23\_MODE\_REG (0x5000304C)

Bit	Mode	Symbol	Description	Reset
15:10	-	-	Reserved	0x0
9:8	r/w	PUPD	00 = Input, no resistors selected 01 = Input, pull-up selected 10 = Input, Pull-down selected 11 = Output, no resistors selected In analog mode, these bits are don't care	0x2
7:5	-	-	Reserved	0x0
4:0	r/w	PID	See P0x_MODE_REG[PID]	0x0

Table 284: P24\_MODE\_REG (0x5000304E)

Bit	Mode	Symbol	Description	Reset
15:10	-	-	Reserved	0x0

Table 284: P24\_MODE\_REG (0x5000304E)

Bit	Mode	Symbol	Description	Reset
9:8	r/w	PUPD	00 = Input, no resistors selected 01 = Input, pull-up selected 10 = Input, Pull-down selected 11 = Output, no resistors selected In analog mode, these bits are don't care	0x2
7:5	-	-	Reserved	0x0
4:0	r/w	PID	See P0x_MODE_REG[PID]	0x0

Table 285: P25\_MODE\_REG (0x50003050)

Bit	Mode	Symbol	Description	Reset
15:10	-	-	Reserved	0x0
9:8	r/w	PUPD	00 = Input, no resistors selected 01 = Input, pull-up selected 10 = Input, Pull-down selected 11 = Output, no resistors selected In analog mode, these bits are don't care	0x2
7:5	-	-	Reserved	0x0
4:0	r/w	PID	See P0x_MODE_REG[PID]	0x0

Table 286: P26\_MODE\_REG (0x50003052)

Bit	Mode	Symbol	Description	Reset
15:10	-	-	Reserved	0x0
9:8	r/w	PUPD	00 = Input, no resistors selected 01 = Input, pull-up selected 10 = Input, Pull-down selected 11 = Output, no resistors selected In analog mode, these bits are don't care	0x2
7:5	-	-	Reserved	0x0
4:0	r/w	PID	See P0x_MODE_REG[PID]	0x0

Table 287: P27\_MODE\_REG (0x50003054)

Bit	Mode	Symbol	Description	Reset
15:10	-	-	Reserved	0x0
9:8	r/w	PUPD	00 = Input, no resistors selected 01 = Input, pull-up selected 10 = Input, Pull-down selected 11 = Output, no resistors selected In analog mode, these bits are don't care	0x2
7:5	-	-	Reserved	0x0
4:0	r/w	PID	See P0x_MODE_REG[PID]	0x0

Table 288: P28\_MODE\_REG (0x50003056)

Bit	Mode	Symbol	Description	Reset
15:10	-	-	Reserved	0x0



Table 288: P28\_MODE\_REG (0x50003056)

Bit	Mode	Symbol	Description	Reset
9:8	r/w	PUPD	00 = Input, no resistors selected 01 = Input, pull-up selected 10 = Input, Pull-down selected 11 = Output, no resistors selected In analog mode, these bits are don't care	0x2
7:5	-	-	Reserved	0x0
4:0	r/w	PID	See P0x_MODE_REG[PID]	0x0

Table 289: P29\_MODE\_REG (0x50003058)

Bit	Mode	Symbol	Description	Reset
15:10	-	-	Reserved	0x0
9:8	r/w	PUPD	00 = Input, no resistors selected 01 = Input, pull-up selected 10 = Input, Pull-down selected 11 = Output, no resistors selected In analog mode, these bits are don't care	0x2
7:5	-	-	Reserved	0x0
4:0	r/w	PID	See P0x_MODE_REG[PID]	0x0

Table 290: P01\_PADPWR\_CTRL\_REG (0x50003070)

Bit	Mode	Symbol	Description	Reset
15:14	-	-	Reserved	0x0
13:8	r/w	P1_OUT_CTRL	1 = P1_x port output is powered by the 1 V rail 0 = P1_x port output is powered by the 3 V rail bit 8 controls the power of P1[0], bit 13 controls the power of P1[5] (Note 19)	0x0
7:0	r/w	P0_OUT_CTRL	1 = P0_x port output is powered by the 1 V rail 0 = P0_x port output is powered by the 3 V rail bit 0 controls the power of P0[0], bit 7 controls the power of P0[7] (Note 20)	0x0

**Note 19:** In Buck mode the output must be powered by the 3 V rail. In Boost mode the outputs can be powered by the 1 V rail or by the 3 V rail. In Boost mode the 3 V rail can only supply a limited current, e.g. for switching a high-impedance input of an external device. See table 'Digital input/output characteristics'.

**Note 20:** In Buck mode the output must be powered by the 3 V rail. In Boost mode the outputs can be powered by the 1 V rail or by the 3 V rail. In Boost mode the 3 V rail can only supply a limited current, e.g. for switching a high-impedance input of an external device. See table 'Digital input/output characteristics'.

Table 291: P2\_PADPWR\_CTRL\_REG (0x50003072)

Bit	Mode	Symbol	Description	Reset
15:10	-	-	Reserved	0x0
9:0	r/w	P2_OUT_CTRL	1 = P2_x port output is powered by the 1 V rail 0 = P2_x port output is powered by the 3 V rail bit 0 controls the power of P2[0], bit 9 controls the power of P2[9], (Note 21)	0x0

**Note 21:** In Buck mode the output must be powered by the 3 V rail. In Boost mode the outputs can be powered by the 1 V rail or by the 3 V rail. In Boost mode the 3 V rail can only supply a limited current, e.g. for switching a high-impedance input of an external device. See table 'Digital input/output characteristics'.

input/output characteristics'.

**Table 292: P3\_PADPWR\_CTRL\_REG (0x50003074)**

Bit	Mode	Symbol	Description	Reset
15:8	-	-	Reserved	0
7:0	r/w	P3_OUT_CTRL	1 = P3_x port output is powered by the 1 V rail 0 = P3_x port output is powered by the 3 V rail bit 0 controls the power of P3[0], bit 7 controls the power of P3[7], (Note 22)	0

**Note 22:** In Buck mode the output must be powered by the 3 V rail. In Boost mode the outputs can be powered by the 1 V rail or by the 3 V rail. In Boost mode the 3 V rail can only supply a limited current, e.g. for switching a high-impedance input of an external device. See table 'Digital input/output characteristics'.

**Table 293: P3\_DATA\_REG (0x50003080)**

Bit	Mode	Symbol	Description	Reset
15:8	-	-	Reserved	0
7:0	r/w	P3_DATA	Set P3 output register when written; Returns the value of P3 port when read	0

**Table 294: P3\_SET\_DATA\_REG (0x50003082)**

Bit	Mode	Symbol	Description	Reset
15:8	-	-	Reserved	0
7:0	r0/w	P3_SET	Writing a 1 to P3[y] sets P3[y] to 1. Writing 0 is discarded; Reading returns 0	0

**Table 295: P3\_RESET\_DATA\_REG (0x50003084)**

Bit	Mode	Symbol	Description	Reset
15:8	-	-	Reserved	0
7:0	r0/w	P3_RESET	Writing a 1 to P0[y] sets P0[y] to 0. Writing 0 is discarded; Reading returns 0	0

**Table 296: P30\_MODE\_REG (0x50003086)**

Bit	Mode	Symbol	Description	Reset
15:10	-	-	Reserved	0
9:8	r/w	PUPD	00 = Input, no resistors selected 01 = Input, pull-up selected 10 = Input, Pull-down selected 11 = Output, no resistors selected In ADC mode, these bits are don't care	2
7:5	-	-	Reserved	0
4:0	r/w	PID	See P0x_MODE_REG[PID]	0

**Table 297: P31\_MODE\_REG (0x50003088)**

Bit	Mode	Symbol	Description	Reset
15:10	-	-	Reserved	0

Table 297: P31\_MODE\_REG (0x50003088)

Bit	Mode	Symbol	Description	Reset
9:8	r/w	PUPD	00 = Input, no resistors selected 01 = Input, pull-up selected 10 = Input, Pull-down selected 11 = Output, no resistors selected In ADC mode, these bits are don't care	2
7:5	-	-	Reserved	0
4:0	r/w	PID	See P0x_MODE_REG[PID]	0

Table 298: P32\_MODE\_REG (0x5000308A)

Bit	Mode	Symbol	Description	Reset
15:10	-	-	Reserved	0
9:8	r/w	PUPD	00 = Input, no resistors selected 01 = Input, pull-up selected 10 = Input, Pull-down selected 11 = Output, no resistors selected In ADC mode, these bits are don't care	2
7:5	-	-	Reserved	0
4:0	r/w	PID	See P0x_MODE_REG[PID]	0

Table 299: P33\_MODE\_REG (0x5000308C)

Bit	Mode	Symbol	Description	Reset
15:10	-	-	Reserved	0
9:8	r/w	PUPD	00 = Input, no resistors selected 01 = Input, pull-up selected 10 = Input, Pull-down selected 11 = Output, no resistors selected In ADC mode, these bits are don't care	2
7:5	-	-	Reserved	0
4:0	r/w	PID	See P0x_MODE_REG[PID]	0

Table 300: P34\_MODE\_REG (0x5000308E)

Bit	Mode	Symbol	Description	Reset
15:10	-	-	Reserved	0
9:8	r/w	PUPD	00 = Input, no resistors selected 01 = Input, pull-up selected 10 = Input, Pull-down selected 11 = Output, no resistors selected In ADC mode, these bits are don't care	2
7:5	-	-	Reserved	0
4:0	r/w	PID	See P0x_MODE_REG[PID]	0

Table 301: P35\_MODE\_REG (0x50003090)

Bit	Mode	Symbol	Description	Reset
15:10	-	-	Reserved	0

Table 301: P35\_MODE\_REG (0x50003090)

Bit	Mode	Symbol	Description	Reset
9:8	r/w	PUPD	00 = Input, no resistors selected 01 = Input, pull-up selected 10 = Input, Pull-down selected 11 = Output, no resistors selected In ADC mode, these bits are don't care	2
7:5	-	-	Reserved	0
4:0	r/w	PID	See P0x_MODE_REG[PID]	0

Table 302: P36\_MODE\_REG (0x50003092)

Bit	Mode	Symbol	Description	Reset
15:10	-	-	Reserved	0
9:8	r/w	PUPD	00 = Input, no resistors selected 01 = Input, pull-up selected 10 = Input, Pull-down selected 11 = Output, no resistors selected In ADC mode, these bits are don't care	2
7:5	-	-	Reserved	0
4:0	r/w	PID	See P0x_MODE_REG[PID]	0

Table 303: P37\_MODE\_REG (0x50003094)

Bit	Mode	Symbol	Description	Reset
15:10	-	-	Reserved	0
9:8	r/w	PUPD	00 = Input, no resistors selected 01 = Input, pull-up selected 10 = Input, Pull-down selected 11 = Output, no resistors selected In ADC mode, these bits are don't care	2
7:5	-	-	Reserved	0
4:0	r/w	PID	See P0x_MODE_REG[PID]	0

Table 304: WATCHDOG\_REG (0x50003100)

Bit	Mode	Symbol	Description	Reset
15:9	r0/w	WDOG_WEN	0000.000 = Write enable for Watchdog timer else Write disable. This filter prevents unintentional presetting the watchdog with a SW run-away.	0x0
8	r/w	WDOG_VAL_NEG	0 = Watchdog timer value is positive. 1 = Watchdog timer value is negative.	0x0
7:0	r/w	WDOG_VAL	<u>Write</u> : Watchdog timer reload value. Note that all bits 15-9 must be 0 to reload this register. <u>Read</u> : Actual Watchdog timer value. Decrement by 1 every 10.24 msec. Bit 8 indicates a negative counter value. 2, 1, 0, 1FF <sub>16</sub> , 1FE <sub>16</sub> etc. An NMI or WDOG (SYS) reset is generated under the following conditions: If WATCHDOG_CTRL_REG[NMI_RST] = 0 then if WDOG_VAL = 0 -> NMI (Non Maskable Interrupt) if WDOG_VAL = 1F0 <sub>16</sub> -> WDOG reset -> reload FF <sub>16</sub> If WATCHDOG_CTRL_REG[NMI_RST] = 1 then if WDOG_VAL <= 0 -> WDOG reset -> reload FF <sub>16</sub>	0xFF

Table 305: WATCHDOG\_CTRL\_REG (0x50003102)

Bit	Mode	Symbol	Description	Reset
15:2	-	-	Reserved	0x0
1	-	-	Reserved	0x0
0	r/w	NMI_RST	<p>0 = Watchdog timer generates NMI at value 0, and WDOG (SYS) reset at &lt;math&gt;\leq -16&lt;/math&gt;. Timer can be frozen /resumed using SET_FREEZE_REG[FRZ_WDOG]/ RESET_FREEZE_REG[FRZ_WDOG].</p> <p>1 = Watchdog timer generates a WDOG (SYS) reset at value 0 and can not be frozen by Software. Note that this bit can only be set to 1 by SW and only be reset with a WDOG (SYS) reset or SW reset.</p> <p>The watchdog is always frozen when the Cortex-M0 is halted in DEBUG State.</p>	0x0

Table 306: CHIP\_ID1\_REG (0x50003200)

Bit	Mode	Symbol	Description	Reset
7:0	r	CHIP_ID1	First character of device type "580" in ASCII.	0x35

Table 307: CHIP\_ID2\_REG (0x50003201)

Bit	Mode	Symbol	Description	Reset
7:0	r	CHIP_ID2	Second character of device type "580" in ASCII.	0x38

Table 308: CHIP\_ID3\_REG (0x50003202)

Bit	Mode	Symbol	Description	Reset
7:0	r	CHIP_ID3	Third character of device type "580" in ASCII.	0x30

Table 309: CHIP\_SWC\_REG (0x50003203)

Bit	Mode	Symbol	Description	Reset
7:4	-	-	Reserved	0x0
3:0	r	CHIP_SWC	<p><b>SoftWare Compatibility code.</b> Integer (default = 0) which is incremented if a silicon change has impact on the CPU Firmware. Can be used by software developers to write silicon revision dependent code.</p>	0x0

Table 310: CHIP\_REVISION\_REG (0x50003204)

Bit	Mode	Symbol	Description	Reset
7:0	r	REVISION_ID	Chip version, corresponds with type number in ASCII. 0x41 = 'A', 0x42 = 'B'	0x41

Table 311: SET\_FREEZE\_REG (0x50003300)

Bit	Mode	Symbol	Description	Reset
15:4	-	-	Reserved	0x0

Table 311: SET\_FREEZE\_REG (0x50003300)

Bit	Mode	Symbol	Description	Reset
3	r/w	FRZ_WDOG	If '1', the watchdog timer is frozen, '0' is discarded. WATCHDOG_CTRL_REG[NMI_RST] must be '0' to allow the freeze function.	0x0
2	r/w	FRZ_BLETIM	If '1', the BLE master clock is frozen, '0' is discarded.	0x0
1	r/w	FRZ_SWTIM	If '1', the SW Timer (TIMER0) is frozen, '0' is discarded.	0x0
0	r/w	FRZ_WKUPTIM	If '1', the Wake Up Timer is frozen, '0' is discarded.	0x0

Table 312: RESET\_FREEZE\_REG (0x50003302)

Bit	Mode	Symbol	Description	Reset
15:4	-	-	Reserved	0x0
3	r/w	FRZ_WDOG	If '1', the watchdog timer continues, '0' is discarded.	0x0
2	r/w	FRZ_BLETIM	If '1', the the BLE master clock continues, '0' is discarded.	0x0
1	r/w	FRZ_SWTIM	If '1', the SW Timer (TIMER0) continues, '0' is discarded.	0x0
0	r/w	FRZ_WKUPTIM	If '1', the Wake Up Timer continues, '0' is discarded.	0x0

Table 313: DEBUG\_REG (0x50003304)

Bit	Mode	Symbol	Description	Reset
15:1	-	-	Reserved	0x0
0	r/w	DEBUGS_FREEZE_EN	Default '1', freezing of the on-chip timers is enabled when the Cortex-M0 is halted in DEBUG State. If '0', freezing of the on-chip timers is depending on FREEZE_REG when the Cortex-M0 is halted in DEBUG State <u>except</u> the watchdog timer. The watchdog timer is always frozen when the Cortex-M0 is halted in DEBUG State.	0x1

Table 314: GP\_STATUS\_REG (0x50003306)

Bit	Mode	Symbol	Description	Reset
15:1	-	-	Reserved	0x0
0	r/w	CAL_PHASE	If '1', it designates that the chip is in Calibration Phase i.e. the OTP has been initially programmed but no Calibration has occurred.	0x0

Table 315: GP\_CONTROL\_REG (0x50003308)

Bit	Mode	Symbol	Description	Reset
15:6	-	-	Reserved	0

Table 315: GP\_CONTROL\_REG (0x50003308)

Bit	Mode	Symbol	Description	Reset
5:1	r/w	EM_MAP	Select the mapping of the Exchange memory pages. 0: EM size 0 kB, SysRAM size 42 kB 1: EM size 2 kB, SysRAM size 48 kB 2: EM size 3 kB, SysRAM size 47 kB 3: EM size 4 kB, SysRAM size 46 kB 4: EM size 5 kB, SysRAM size 45 kB 5: EM size 6 kB, SysRAM size 44 kB 6: EM size 7 kB, SysRAM size 43 kB 7: EM size 8 kB, SysRAM size 42 kB 8: Reserved 9: EM size 4 kB, SysRAM size 40 kB 10: EM size 5 kB, SysRAM size 40 kB 11: EM size 6 kB, SysRAM size 40 kB 12: EM size 7 kB, SysRAM size 40 kB 13: EM size 8 kB, SysRAM size 40 kB 14: EM size 9 kB, SysRAM size 40 kB 15: EM size 10 kB, SysRAM size 40 kB 16: Reserved 17: EM size 6 kB, SysRAM size 38 kB 18: EM size 7 kB, SysRAM size 38 kB 19: EM size 8 kB, SysRAM size 38 kB 20: EM size 9 kB, SysRAM size 38 kB 21: EM size 10 kB, SysRAM size 38 kB 22: EM size 11 kB, SysRAM size 38 kB 23: EM size 12 kB, SysRAM size 38 kB other: Reserved.	0x1
0	r/w	BLE_WAKEUP_REQ	If '1', the BLE wakes up. Must be kept high at least for 1 low power clock period. If the BLE is in deep sleep state, then by setting this bit it will cause the wakeup LP IRQ to be asserted with a delay of 3 to 4 low power cycles.	0x0

Table 316: TIMER0\_CTRL\_REG (0x50003400)

Bit	Mode	Symbol	Description	Reset
15:4	-	-	Reserved	0x0
3	r/w	PWM_MODE	0 = PWM signals are '1' during high time. 1 = PWM signals send out the (fast) clock divided by 2 during high time. So it will be in the range of 1 to 8 MHz.	0x0
2	r/w	TIM0_CLK_DIV	1 = Timer0 uses selected clock frequency as is. 0 = Timer0 uses selected clock frequency divided by 10. Note that this applies only to the ON-counter.	0x0
1	r/w	TIM0_CLK_SEL	1 = Timer0 uses 16, 8, 4 or 2 MHz (fast) clock frequency. 0 = Timer0 uses 32 kHz (slow) clock frequency.	0x0
0	r/w	TIM0_CTRL	0 = Timer0 is off and in reset state. 1 = Timer0 is running.	0x0

Table 317: TIMER0\_ON\_REG (0x50003402)

Bit	Mode	Symbol	Description	Reset
15:0	r0/w	TIM0_ON	Timer0 On reload value: If read the actual counter value ON_CNTER is returned	0x0

Table 318: TIMER0\_RELOAD\_M\_REG (0x50003404)

Bit	Mode	Symbol	Description	Reset
15:0	r0/w	TIM0_M	Timer0 'high' reload value If read the actual counter value T0_CNTER is returned	0x0

Table 319: TIMER0\_RELOAD\_N\_REG (0x50003406)

Bit	Mode	Symbol	Description	Reset
15:0	r0/w	TIM0_N	Timer0 'low' reload value: If read the actual counter value T0_CNTER is returned	0x0

Table 320: PWM2\_DUTY\_CYCLE (0x50003408)

Bit	Mode	Symbol	Description	Reset
13:0	r/w	DUTY_CYCLE	duty cycle for PWM	0x0

Table 321: PWM3\_DUTY\_CYCLE (0x5000340A)

Bit	Mode	Symbol	Description	Reset
13:0	r/w	DUTY_CYCLE	duty cycle for PWM	0x0

Table 322: PWM4\_DUTY\_CYCLE (0x5000340C)

Bit	Mode	Symbol	Description	Reset
13:0	r/w	DUTY_CYCLE	duty cycle for PWM	0x0

Table 323: TRIPLE\_PWM\_FREQUENCY (0x5000340E)

Bit	Mode	Symbol	Description	Reset
13:0	r/w	FREQ	Freq for PWM 2 3 4	0x0

Table 324: TRIPLE\_PWM\_CTRL\_REG (0x50003410)

Bit	Mode	Symbol	Description	Reset
2	r/w	HW_PAUSE_EN	'1' = HW can pause PWM 2,3,4	0x1
1	r/w	SW_PAUSE_EN	'1' = PWM 2 3 4 is paused	0x0
0	r/w	TRIPLE_PWM_ENA BLE	'1' = PWM 2 3 4 is enabled	0x0



### 27 Specifications

All MIN/MAX specification limits are guaranteed by design, production testing and/or statistical characterization. Typical values are based on characterization results at default measurement conditions and are informative only.

Default measurement conditions (unless otherwise specified):  $V_{BAT}(VBAT3V) = 3.0\text{ V}$  (buck mode),  $V_{BAT}(VBAT1V) = 1.2\text{ V}$  (boost mode),  $T_A = 25\text{ }^\circ\text{C}$ . All radio measurements are performed with standard RF measurement equipment providing a source/load impedance of  $50\ \Omega$ .

The specifications in the following tables are valid for the reference circuits shown in [Figure 67](#) (Boost mode) and [Figure 68](#) (Buck mode).

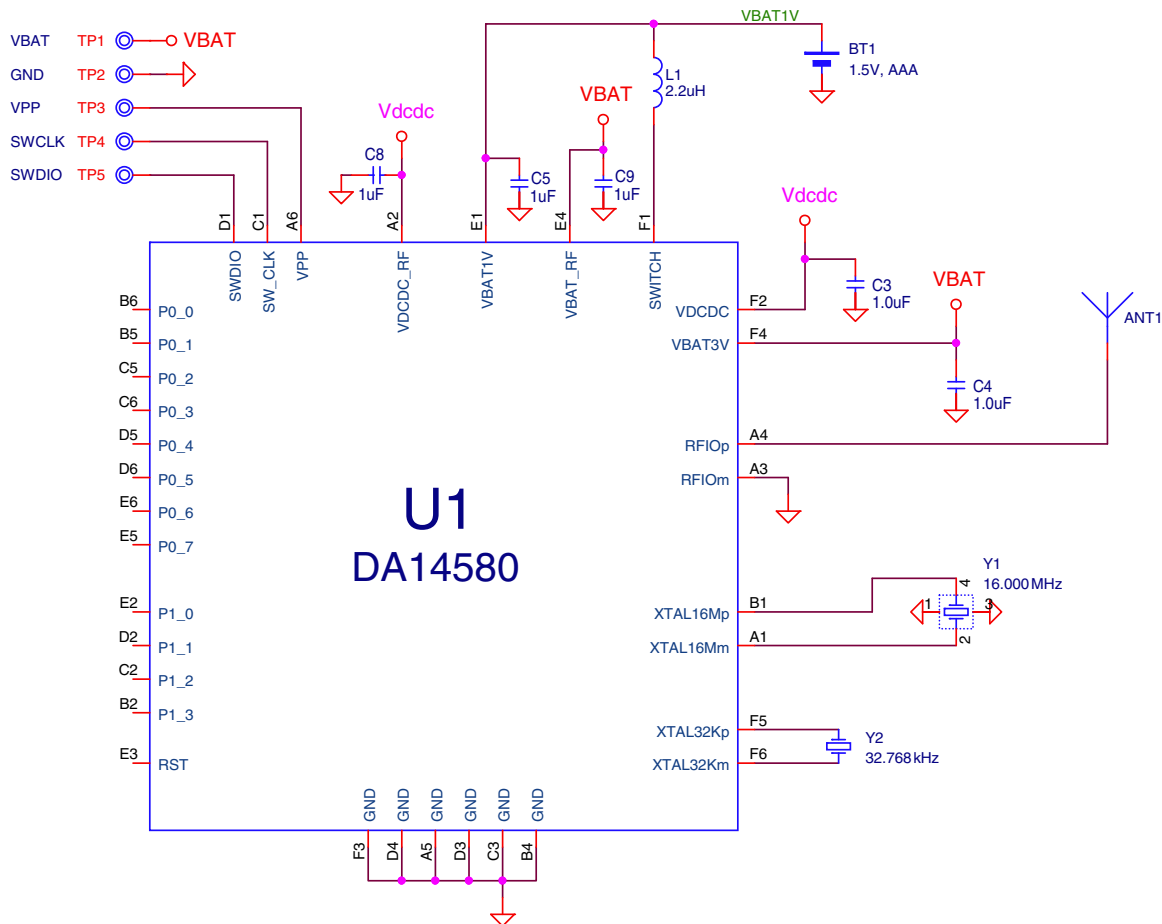


Figure 67: Alkaline Battery Cell Powered System Diagram (Boost Mode)

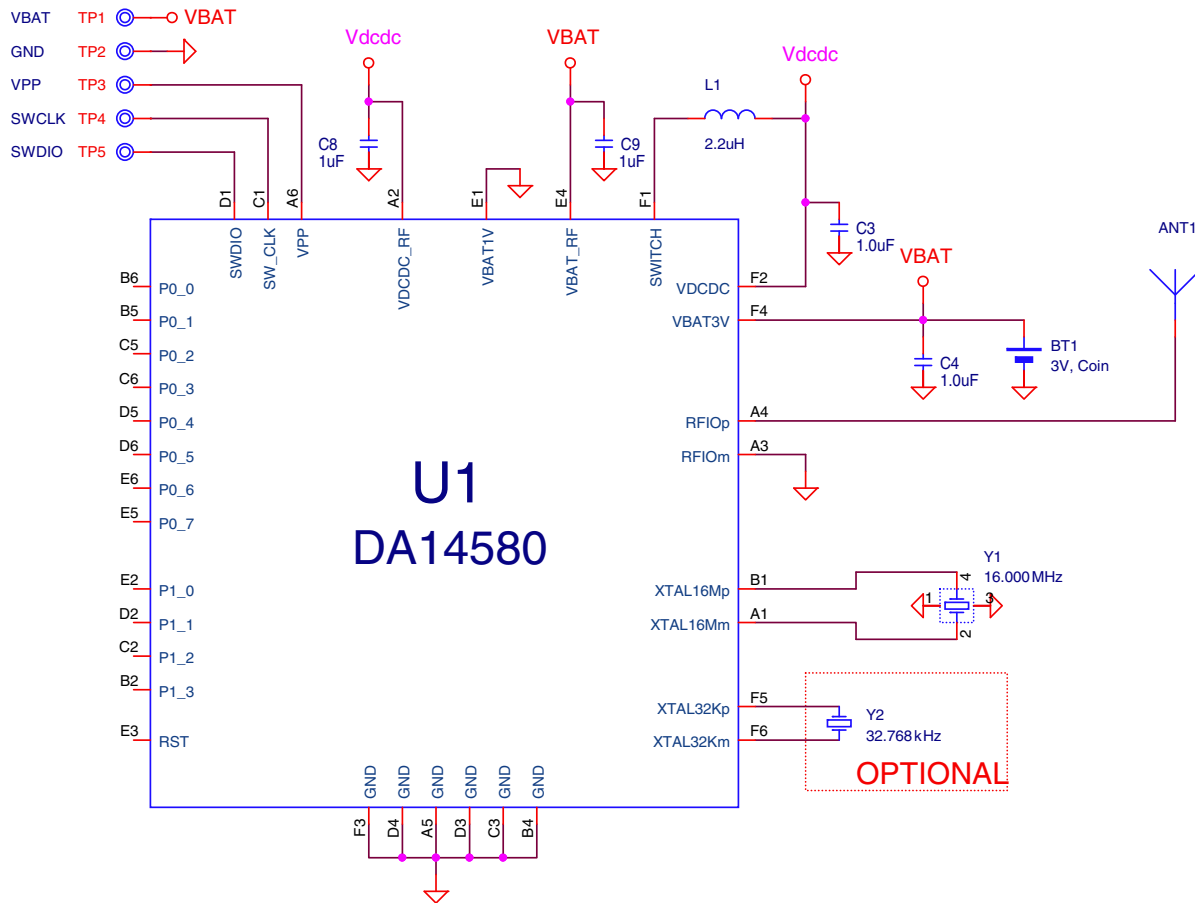


Figure 68: Lithium Coin Cell Powered System Diagram (Buck Mode)

Table 325: Absolute Maximum Ratings

Parameter	Description	Conditions	Min	Typ	Max	Unit
V <sub>PIN(LIM)</sub> (default)	limiting voltage on a pin	Voltage between pin and GND (Note 23)	-0.1		min{3.6, V <sub>BAT_RF</sub> +0.2}	V
T <sub>STG</sub>	storage temperature		-50		150	°C
t <sub>R(SUP)</sub>	supply rise time	Power supply rise time			100	ms
V <sub>BAT(LIM)</sub> (VBAT1V)	limiting battery supply voltage	Supply voltage on VBAT1V in a boost converter application (VBAT3V is second output of boost-converter in this case) (Note 23)	-0.1		3.6	V
V <sub>BAT(LIM)</sub> (VBAT3V)	limiting battery supply voltage	Supply voltage on VBAT3V in a buck-converter application, pin VBAT1V is connected to ground (Note 23)	-0.1		3.6	V
V <sub>PIN(LIM)</sub> (1V2)	limiting voltage on a pin	XTAL32Km, XTAL16Mp, XTAL16Mm (Note 23)	-0.2		min(1.2, V <sub>BAT_RF</sub> +0.2)	V
V <sub>PIN(LIM)</sub> (XTAL32Kp)	limiting voltage on a pin	XTAL32Kp	-0.2		min(1.5, V <sub>BAT_RF</sub> +0.2)	V
V <sub>PIN(LIM)</sub> VDCDC_C_RF	limiting voltage on the VDCDC_C_RF pin	Supply voltage on VDCDC_C_RF (Note 23)	-0.2		min(3.3, V <sub>BAT_RF</sub> +0.2)	V
V <sub>ESD(HBM)</sub> (WLCSP34)	electrostatic discharge voltage (Human Body Model)				2000	V
V <sub>ESD(HBM)</sub> (QFN40)	electrostatic discharge voltage (Human Body Model)				4000	V
V <sub>ESD(HBM)</sub> (QFN48)	electrostatic discharge voltage (Human Body Model)				4000	V
V <sub>ESD(MM)</sub> (WLCSP34)	electrostatic discharge voltage (Machine Model)				200	V
V <sub>ESD(MM)</sub> (QFN40)	electrostatic discharge voltage (Machine Model)				200	V
V <sub>ESD(MM)</sub> (QFN48)	electrostatic discharge voltage (Machine Model)				200	V
V <sub>ESD(CDM)</sub> (WLCSP34)	electrostatic discharge voltage (Charged Device Model)				500	V
V <sub>ESD(CDM)</sub> (QFN40)	electrostatic discharge voltage (Charged Device Model)				1000	V
V <sub>ESD(CDM)</sub> (QFN48)	electrostatic discharge voltage (Charged Device Model)				1000	V

**Note 23:** The device should not be exposed for prolonged periods of time to voltages between the Recommended Operating Conditions and the Absolute Maximum Ratings range.

**Table 326: Recommended Operating Conditions**

Parameter	Description	Conditions	Min	Typ	Max	Unit
V <sub>PP</sub>	programming voltage	Supply voltage on pin VPP during OTP programming; T <sub>J</sub> ≤ 50 °C	6.6	6.7	6.8	V
V <sub>BAT</sub> (VBAT1V)	battery supply voltage	Supply voltage on VBAT1V in a boost converter application (VBAT3V is second output of boost-converter in this case)	0.9		3.3	V
V <sub>BAT</sub> (VBAT3V)	battery supply voltage	Supply voltage on VBAT3V and VBAT_RF in a buck-converter application, pin VBAT1V is connected to ground	2.35 (Note 24)		3.3	V
V <sub>PIN</sub> (default)	voltage on a pin	Voltage between pin and GND	0		min(3.3, V <sub>BAT_RF+</sub> - 0.2)	V
V <sub>PIN</sub> (1V2)	voltage on a pin	XTAL32Km, XTAL16Mp, XTAL16Mm	0		1.2	V
V <sub>PIN</sub> (VDCDC_RF)	voltage on the VDCDC_RF pin	Supply voltage on VDCDC_RF	0		3.3	V
T <sub>A</sub>	ambient temperature		-40		85	°C

**Note 24:** Cold boot should not be performed if voltage is less than 2.5 V because of possible corruption during OTP data mirroring. Trim values programmed in the OTP as well as the application image, should be copied into RAM while VBAT3V ≥ 2.5 V.

**Table 327: DC Characteristics**

Parameter	Description	Conditions	Min	Typ	Max	Unit
I <sub>BAT</sub> (DP_SLP)_BOOST_1kB	battery supply current	Boost configuration in deep-sleep with 1 kB retention RAM active, running from RC32K oscillator at lowest frequency		0.48		μA
I <sub>BAT</sub> (DP_SLP)_BOOST_2kB	battery supply current	Boost configuration in deep-sleep with 2 kB retention RAM active, running from XTAL32K oscillator		0.55		μA
I <sub>BAT</sub> (DP_SLP)_BOOST_8kB	battery supply current	Typical boost-application in deep-sleep with 8 kB retention RAM active, running from XTAL32K oscillator		0.7	2	μA
I <sub>BAT</sub> (EXT_SLP)_BOOST_43KB	battery supply current	Typical boost-application in extended-sleep mode with 42 kB (SysRAM) and 1 kB (RetRAM) retained		1.37		μA

Table 327: DC Characteristics

Parameter	Description	Conditions	Min	Typ	Max	Unit
$I_{BAT}(EXT\_SLP)\_BOOST\_50kB$	battery supply current	Typical boost-application in extended-sleep mode with 42 kB (SysRAM) and 8 kB (RetRAM) retained		1.5	3	$\mu A$
$I_{BAT}(DP\_SLP)\_BUCK\_1kB$	battery supply current	Buck configuration deep-sleep with 1 kB retention RAM active, running from RC32K oscillator at lowest frequency		0.4		$\mu A$
$I_{BAT}(DP\_SLP)\_BUCK\_2kB$	battery supply current	Buck configuration in deep-sleep with 2 kB retention RAM active, running from XTAL32K oscillator		0.45		$\mu A$
$I_{BAT}(DP\_SLP)\_BUCK\_8kB$	battery supply current	Typical buck-application in deep-sleep with 8 kB retention RAM active, running from XTAL32K oscillator		0.6	2	$\mu A$
$I_{BAT}(EXT\_SLP)\_BUCK\_43kB$	battery supply current	Typical buck-application in extended-sleep mode with 42 kB (SysRAM) and 1 kB (RetRAM) retained		1.2		$\mu A$
$I_{BAT}(EXT\_SLP)\_BUCK\_50kB$	battery supply current	Typical buck-application in extended-sleep mode with 42 kB (SysRAM) and 8 kB (RetRAM) retained		1.4	3	$\mu A$
$I_{BAT}(ACT\_RX)\_BOOST$	battery supply current	Typical application with boost converter and receiver active		13.4	16	mA
$I_{BAT}(ACT\_TX)\_BOOST$	battery supply current	Typical application with boost converter and transmitter active		12.4	15	mA
$I_{BAT}(ACT\_RX)\_BUCK$	battery supply current	Typical application with buck converter and receiver active		5.1	6	mA
$I_{BAT}(ACT\_TX)\_BUCK$	battery supply current	Typical application with buck converter and transmitter active		4.8	6	mA

Table 328: Timing Characteristics

Parameter	Description	Conditions	Min	Typ	Max	Unit
$t_{STA}(BOOST)$	startup time	Boost-mode; time from deep-sleep to software start. Typical application, running from retention RAM on 16 MHz RC oscillator		1.2 (Note 25)		ms

Table 328: Timing Characteristics

Parameter	Description	Conditions	Min	Typ	Max	Unit
$t_{STA}(BUCK)$	startup time	Buck-mode; time from deep-sleep to software start. Typical application, running from retention RAM on 16 MHz RC oscillator		1 (Note 25)		ms

Note 25: Worst-case value under Normal Operating Conditions.

Table 329: 16 MHz Crystal Oscillator: Recommended Operating Conditions

Parameter	Description	Conditions	Min	Typ	Max	Unit
$f_{XTAL}(16M)$	crystal oscillator frequency			16		MHz
ESR(16M)	equivalent series resistance				100	$\Omega$
$C_L(16M)$	load capacitance	No external capacitors are required	10		12	pF
$C_0(16M)$	shunt capacitance				5	pF
$\Delta f_{XTAL}(16M)$	crystal frequency tolerance	After optional trimming; including aging and temperature drift (Note 26)	-20		20	ppm
$\Delta f_{XTAL}(16M)_{UNT}$	crystal frequency tolerance	Untrimmed; including aging and temperature drift (Note 27)	-40		40	ppm
$P_{DRV(MAX)}(16M)$	maximum drive power	(Note 28)	100			$\mu W$
$V_{CLK(EXT)}(16M)$	external clock voltage	Only in case of an external reference clock on XTAL16Mp (XTAL16Mm floating or connected to mid-level 0.6 V)	1	1.2		V
$\varphi_N(EXTERNAL)16M$	phase noise	$f_C = 50$ kHz in case of an external reference clock			-130	dBc/Hz

Note 26: Using the internal varicaps a wide range of crystals can be trimmed to the required tolerance.

Note 27: Maximum allowed frequency tolerance for compensation by the internal varicap trimming mechanism.

Note 28: Select a crystal which can handle a drive-level equal or more than this specification

Table 330: 16 MHz Crystal Oscillator: Timing Characteristics

Parameter	Description	Conditions	Min	Typ	Max	Unit
$t_{STA(XTAL)}(16M)$	crystal oscillator startup time		0.5	2	3	ms

Table 331: 32 kHz Crystal Oscillator: Recommended Operating Conditions

Parameter	Description	Conditions	Min	Typ	Max	Unit
V <sub>CLK(EXT)(32K)</sub>	external clock voltage	peak-peak voltage of external clock at XTAL32Kp, pin XTAL32Km floating. note: XTAL32Kp is internally AC coupled	0.1	0.2	1.5	V
f <sub>XTAL(32k)</sub>	crystal oscillator frequency	frequency range for an external clock (for a crystal, use either 32.000 kHz or 32.768 kHz)	10	32.768	100	kHz
ESR(32k)	equivalent series resistance				100	kΩ
C <sub>L(32k)</sub>	load capacitance	no external capacitors are required for a 6 pF or 7 pF crystal	6	7	9	pF
C <sub>0(32k)</sub>	shunt capacitance			1	2	pF
Δf <sub>XTAL(32k)</sub>	crystal frequency tolerance (including aging)	Timing accuracy is dominated by crystal accuracy. A much smaller value is preferred	-250		250	ppm
P <sub>DRV(MAX)(32k)</sub>	maximum drive power	<b>(Note 29)</b>	0.1			μW

**Note 29:** Select a crystal that can handle a drive-level of at least this specification.

Table 332: 32 kHz Crystal Oscillator: Timing Characteristics

Parameter	Description	Conditions	Min	Typ	Max	Unit
t <sub>STA(XTAL)(32k)</sub>	crystal oscillator startup time	Typical application, time until 1000 clocks are detected. <b>(Note 30)</b>		0.4		s

**Note 30:** This parameter is very much dependent on crystal parameters

Table 333: DC-DC Converter: Recommended Operating Conditions

Parameter	Description	Conditions	Min	Typ	Max	Unit
L	effective inductance		1.5	2.2	3	μH
C <sub>OUT(VDCDC)</sub>	effective load capacitance	VDCDC and VDDCRF combined <b>(Note 31)</b>	0.5	1	10	μF
C <sub>OUT(VBAT3V)</sub>	effective load capacitance	VBATRF and VBAT3V combined are the second output of the boost-converter <b>(Note 31)</b>	0.5	1	10	μF

**Note 31:** A low value will result in lowest power consumption, keep this value at 1 uF or 2 uF.

Table 334: DC-DC Converter: DC Characteristics

Parameter	Description	Conditions	Min	Typ	Max	Unit
V <sub>O(BUCK)</sub>	output voltage	default settings		1.41		V

Table 334: DC-DC Converter: DC Characteristics

Parameter	Description	Conditions	Min	Typ	Max	Unit
V <sub>O</sub> (BOOST)	output voltage	default settings, VDCDC		1.41		V
$\eta_{\text{CONV\_MAX}}(\text{BUCK})$	maximum conversion efficiency			86		%
$\eta_{\text{CONV\_MAX}}(\text{BOOST})$	maximum conversion efficiency			80		%
$\Delta V_{\text{O}}/\Delta V_{\text{I}}(\text{BUCK})$	line regulation	$2.35 \text{ V} \leq \text{VBAT3V} \leq 3.3 \text{ V}$	-2	0.7	2	%/V
$\Delta V_{\text{O}}/\Delta V_{\text{I}}(\text{BOOST})$	line regulation	$0.9 \text{ V} \leq \text{VBAT1V} \leq 1.2 \text{ V}$ (Note 32)	-2	1	4	%/V
$\Delta V_{\text{O}}/\Delta I_{\text{L}}(\text{BUCK})$	load regulation	VBAT3V = 2.5 V	-0.2	-0.02	0.2	%/mA
$\Delta V_{\text{O}}/\Delta I_{\text{L}}(\text{BOOST})$	load regulation	VBAT1V = 1.2 V	-0.2	-0.07	0.2	%/mA
V <sub>RPL</sub> (BUCK)	ripple voltage	buck mode; RMS ripple voltage		5		mV
V <sub>RPL</sub> (BOOST)	ripple voltage	VBAT1V $\leq$ 1.2 V, boost mode; RMS ripple voltage (Note 32)		8		mV

Note 32: When VBAT1V > VDCDC\_nominal, VDCDC will follow VBAT1V.

Table 335: Digital Input/Output: DC Characteristics

Parameter	Description	Conditions	Min	Typ	Max	Unit
V <sub>IH</sub>	HIGH level input voltage		0.84			V
V <sub>IL</sub>	LOW level input voltage				0.36	V
V <sub>IH</sub> (RST)	HIGH level input voltage	RST pin	0.84			V
V <sub>IL</sub> (RST)	LOW level input voltage	RST pin			0.36	V
V <sub>OH</sub> (VBAT1V)	HIGH level output voltage	I <sub>out</sub> = -250 $\mu$ A, VBAT3V = 2.35 V, VBAT1V = 0.9 V	0.72			V
V <sub>OH</sub> (VBAT3V)	HIGH level output voltage	I <sub>out</sub> = -4.8 mA, VBAT3V = 2.35 V, VBAT1V = 0 V (Note 33)	1.88			V
V <sub>OL</sub> (VBAT1V)	LOW level output voltage	I <sub>out</sub> = 250 $\mu$ A, VBAT3V = 2.35 V, VBAT1V = 0.9 V			0.18	V
V <sub>OL</sub> (VBAT3V)	LOW level output voltage	I <sub>out</sub> = 4.8 mA, VBAT3V = 2.35 V, VBAT1V = 0 V (Note 34)			0.47	V
I <sub>IH</sub>	HIGH level input current	V <sub>in</sub> = VBAT3V = 2.5 V	-1		1	$\mu$ A
I <sub>IL</sub>	LOW level input current	V <sub>in</sub> = VSS = 0 V	-1		1	$\mu$ A
I <sub>IH</sub> (PD)	HIGH level input current	V <sub>in</sub> = VBAT3V = 2.5 V	50		150	$\mu$ A
I <sub>IL</sub> (PU)	LOW level input current	V <sub>in</sub> = VSS = 0 V	-150		-50	$\mu$ A
I <sub>IH</sub> (RST)	HIGH level input current	RST pin, V(RST) = 1.2 V	25		75	$\mu$ A

Note 33: In Boost mode the output source current is limited to I<sub>out</sub> = -250  $\mu$ A.

Note 34: In Boost mode the output sink current is limited to I<sub>out</sub> = 250  $\mu$ A.



Table 336: General Purpose ADC: Recommended Operating Conditions

Parameter	Description	Conditions	Min	Typ	Max	Unit
N <sub>BIT</sub> (ADC)	number of bits (resolution)			10		bit

Table 337: General Purpose ADC: DC Characteristics

Parameter	Description	Conditions	Min	Typ	Max	Unit
V <sub>I(ZS)</sub>	zero-scale input voltage	single-ended, calibrated at zero input	-2.5	0	2.5	mV
V <sub>I(FS)</sub>	full-scale input voltage	single-ended, calibrated at zero input	1150	1180	1250	mV
V <sub>I(FSN)</sub>	negative full-scale input voltage	differential, calibrated at zero input		-1180		mV
V <sub>I(FSP)</sub>	positive full-scale input voltage	differential, calibrated at zero input		1180		mV
INL	integral non-linearity		-2		2	LSB
DNL	differential non-linearity		-2		2	LSB

Table 338: General Purpose ADC: Timing Characteristics

Parameter	Description	Conditions	Min	Typ	Max	Unit
t <sub>CONV</sub> (ADC)	conversion time	Excluding initial settling time of the LDO and the 3x-attenuation (if used):  LDO settling time is 20 μs (max), 3x-attenuation settling time = 1 μs (max) Using internal ADC-clock (~200 MHz)		0.25	0.4	μs

Table 339: Radio: DC Characteristics

Parameter	Description	Conditions	Min	Typ	Max	Unit
I <sub>BAT</sub> (RF)RX	battery supply current	receive mode; radio receiver and synthesizer active; DC-DC converter assumed ideal; T <sub>A</sub> = 25 °C <b>(Note 35)</b>		3.7	4.3	mA
I <sub>BAT</sub> (RF)TX	battery supply current	transmit mode; radio transmitter and synthesizer active; DC-DC converter assumed ideal; T <sub>A</sub> = 25 °C <b>(Note 35)</b>		3.4	4	mA

**Note 35:** The DC-DC-converter efficiency is assumed to be 100 % to enable benchmarking of the radio currents at battery supply domain (VBAT3V = 3 V).

Table 340: Radio: AC Characteristics

Parameter	Description	Conditions	Min	Typ	Max	Unit
P <sub>SENS(CLEAN)</sub>	sensitivity level	DC-DC converter enabled; Dirty Transmitter disabled; T <sub>A</sub> = 25 °C; PER = 30.8 % <a href="#">(Note 36)</a>		-93		dBm
P <sub>SENS</sub>	sensitivity level	Normal Operating Conditions; DC-DC converter enabled; T <sub>A</sub> = 25 °C; PER = 30.8 % <a href="#">(Note 36)</a>		-92.5		dBm
P <sub>SENS(EOC)</sub>	sensitivity level	Extreme Operating Conditions; DC-DC converter enabled; PER = 30.8 %; -40 °C ≤ T <sub>A</sub> ≤ +85 °C <a href="#">(Note 37)</a>			-87	dBm
P <sub>I(max)</sub>	input power level	DC-DC converter disabled; T <sub>A</sub> = 25 °C; PER ≤ 30.8 % <a href="#">(Note 36)</a>	10			dBm
P <sub>INT(IMD)</sub>	intermodulation distortion interferer power level	worst case interferer level @ f <sub>1</sub> , f <sub>2</sub> with 2f <sub>1</sub> -f <sub>2</sub> = f <sub>0</sub> ,  f <sub>1</sub> -f <sub>2</sub>   = n MHz and n = 3,4,5; P <sub>WANTED</sub> = -64 dBm @ f <sub>0</sub> ; PER = 30.8 %; T <sub>A</sub> = 25 °C <a href="#">(Note 38)</a>	-35	-31		dBm
CIR(0)	carrier to interferer ratio	n = 0; interferer @ f <sub>1</sub> = f <sub>0</sub> + n*1 MHz; T <sub>A</sub> = 25 °C <a href="#">(Note 39)</a>		7	21	dB
CIR(1)	carrier to interferer ratio	n = ±1; interferer @ f <sub>1</sub> = f <sub>0</sub> + n*1 MHz; T <sub>A</sub> = 25 °C <a href="#">(Note 39)</a>		-3	15	dB
CIR(P2)	carrier to interferer ratio	n = +2 (image frequency); interferer @ f <sub>1</sub> = f <sub>0</sub> + n*1 MHz; T <sub>A</sub> = 25 °C <a href="#">(Note 39)</a>		-20	-9	dB
CIR(M2)	carrier to interferer ratio	n = -2; interferer @ f <sub>1</sub> = f <sub>0</sub> + n*1 MHz; T <sub>A</sub> = 25 °C <a href="#">(Note 39)</a>		-30	-17	dB
CIR(P3)	carrier to interferer ratio	n = +3 (image frequency + 1 MHz); interferer @ f <sub>1</sub> = f <sub>0</sub> + n*1 MHz; T <sub>A</sub> = 25 °C <a href="#">(Note 39)</a>		-30	-15	dB
CIR(M3)	carrier to interferer ratio	n = -3; interferer @ f <sub>1</sub> = f <sub>0</sub> + n*1 MHz; T <sub>A</sub> = 25 °C <a href="#">(Note 39)</a>		-35	-27	dB

Table 340: Radio: AC Characteristics

Parameter	Description	Conditions	Min	Typ	Max	Unit
CIR(4)	carrier to interferer ratio	$ n  \geq 4$ (any other BLE channel); interferer @ $f_1 = f_0 + n \cdot 1$ MHz; $T_A = 25$ °C <b>(Note 39)</b>		-37	-27	dB
P <sub>BL(I)</sub>	blocker power level	$30 \text{ MHz} \leq f_{BL} \leq 2000$ MHz; P <sub>WANTED</sub> = -67 dBm; $T_A = 25$ °C <b>(Note 40)</b>	-5			dBm
P <sub>BL(II)</sub>	blocker power level	$2003 \text{ MHz} \leq f_{BL} \leq 2399$ MHz; P <sub>WANTED</sub> = -67 dBm; $T_A = 25$ °C <b>(Note 40)</b>	-15			dBm
P <sub>BL(III)</sub>	blocker power level	$2484 \text{ MHz} \leq f_{BL} \leq 2997$ MHz; P <sub>WANTED</sub> = -67 dBm; $T_A = 25$ °C <b>(Note 40)</b>	-15			dBm
P <sub>BL(IV)</sub>	blocker power level	$3000 \text{ MHz} \leq f_{BL} \leq 12.75$ GHz; P <sub>WANTED</sub> = -67 dBm; $T_A = 25$ °C <b>(Note 40)</b>	-5			dBm
P <sub>RSSI(min)</sub>	RSSI power level	absolute power level for RXRSSI[7:0] = 0; $T_A = 25$ °C <b>(Note 41)</b>	-115	-112	-109	dBm
P <sub>RSSI(max)</sub>	RSSI power level	upper limit of monotonous range; $T_A = 25$ °C	-26	-19		dBm
L <sub>ACC(RSSI)BO</sub> OST	level accuracy	tolerance of 5 % to 95 % confidence interval of P <sub>RF</sub> : when RXRSSI[7:0] = X, $50 < X < 175$ ; burst mode 1500 packets; $T_A = 25$ °C; DC-DC converter in BOOST mode		0	3	dB
L <sub>ACC(RSSI)BU</sub> CK	level accuracy	tolerance of 5 % to 95 % confidence interval of P <sub>RF</sub> : when RXRSSI[7:0] = X, $50 < X < 175$ ; burst mode 1500 packets; $T_A = 25$ °C; DC-DC converter in BUCK mode		0	2	dB
L <sub>RES(RSSI)</sub>	level resolution	gradient of monotonous range for RXRSSI[7:0] = X, $50 < X < 175$ ; burst mode 1500 packets; $T_A = 25$ °C	0.46	0.474	0.485	dB/ LSB
ACP(2M)	adjacent channel power level	$f_{\text{OFFSET}} = 2$ MHz; $T_A = 25$ °C <b>(Note 42)</b>		-53	-50	dBm

Table 340: Radio: AC Characteristics

Parameter	Description	Conditions	Min	Typ	Max	Unit
ACP(2M)(EOC)	adjacent channel power level	$f_{\text{OFFSET}} = 2 \text{ MHz}$ ; $-40 \text{ }^\circ\text{C} \leq T_A \leq +85 \text{ }^\circ\text{C}$ (Note 42)		-53	-47	dBm
ACP(3M)	adjacent channel power level	$f_{\text{OFFSET}} \geq 3 \text{ MHz}$ ; $T_A = 25 \text{ }^\circ\text{C}$ (Note 42)		-57	-55	dBm
ACP(3M)(EOC)	adjacent channel power level	$f_{\text{OFFSET}} \geq 3 \text{ MHz}$ ; $-40 \text{ }^\circ\text{C} \leq T_A \leq +85 \text{ }^\circ\text{C}$ (Note 42)		-57	-47	dBm
$P_O$	output power level	$V_{\text{DD}} = 3 \text{ V}$ ; maximum gain; $T_A = 25 \text{ }^\circ\text{C}$	-2	-1	0	dBm
$P_O(\text{HD}2)$	output power level (second harmonic)	$V_{\text{DD}} = 3 \text{ V}$ ; maximum gain; $T_A = 25 \text{ }^\circ\text{C}$		-54	-40	dBm
$P_O(\text{HD}3)$	output power level (third harmonic)	$V_{\text{DD}} = 3 \text{ V}$ ; maximum gain; $T_A = 25 \text{ }^\circ\text{C}$		-56	-40	dBm
$P_O(\text{HD}4)$	output power level (fourth harmonic)	$V_{\text{DD}} = 3 \text{ V}$ ; maximum gain; $T_A = 25 \text{ }^\circ\text{C}$		-70	-40	dBm
$P_O(\text{HD}5)$	output power level (fifth harmonic)	$V_{\text{DD}} = 3 \text{ V}$ ; maximum gain; $T_A = 25 \text{ }^\circ\text{C}$		-70	-40	dBm
$P_O(\text{NFM})$	output power level in 'Near Field Mode'	$V_{\text{DD}} = 3 \text{ V}$ ; maximum gain; $T_A = 25 \text{ }^\circ\text{C}$ (Note 43)	-25	-20	-15	dBm

**Note 36:** Measured according to Bluetooth® Low Energy Test Specification RF-PHY.TS/4.0.1, section 6.4.1.

**Note 37:** Measured according to Bluetooth® Low Energy Test Specification RF-PHY.TS/4.0.1, section 6.4.2.

**Note 38:** Measured according to Bluetooth® Core Technical Specification document, version 4.2, volume 6, section 4.4. Published value is for  $n = \text{IXIT} = 4$ .  $\text{IXIT} = 5$  gives the same results,  $\text{IXIT} = 3$  gives results that are 5 dB lower.

**Note 39:** Measured according to Bluetooth® Core Technical Specification document, version 4.2, volume 6, section 4.2.

**Note 40:** Measured according to Bluetooth® Core Technical Specification document, version 4.2, volume 6, section 4.3. Due to limitations of the measurement equipment, levels of -5 dBm should be interpreted as  $> -5 \text{ dBm}$ .

**Note 41:**  $\text{PRF} = \text{PRSSI}(\text{min}) + \text{LRES}(\text{RSSI}) \times \text{RXRSSI}[7:0] \pm \text{LACC}(\text{RSSI})$ . Thanks to constant gain biasing of RF part in the receiver, the RSSI can be used to estimate absolute power levels, rather than mere level changes. Even across the full temperature range the variation is limited.

**Note 42:** Measured according to Bluetooth® Low Energy Test Specification RF-PHY.TS/4.0.1, section 6.2.3.

**Note 43:** To activate the "Near Field Mode", program address 0x50002418 with the value 0x0030.

Table 341: Stable Low Frequency RCX Oscillator: Timing Characteristics

Parameter	Description	Conditions	Min	Typ	Max	Unit
$f_{\text{RC}}(\text{RCX})$	RCX oscillator frequency	default setting, buck mode only	5	10	40	kHz
$\Delta f_{\text{RC}}(\text{RCX})$	RCX oscillator frequency drift	buck mode only (Note 44)	-500		500	ppm
$\Delta T_A / \Delta t(\text{RCX})100\text{ms}$	ambient temperature gradient	buck mode only; connection interval 100 ms			0.66	$^\circ\text{C}/\text{s}$
$\Delta T_A / \Delta t(\text{RCX})4\text{s}$	ambient temperature gradient	buck mode only; connection interval 4 s			0.33	$^\circ\text{C}/\text{s}$

**Note 44:** Maximum recommended connection interval (including slave latency) for the RCX usage is 2 s.

## 28 Package Information

### 28.1 MOISTURE SENSITIVITY LEVEL (MSL)

The MSL is an indicator for the maximum allowable time period (floor life time) in which a moisture sensitive plastic device, once removed from the dry bag, can be exposed to an environment with a maximum temperature of 30 °C and a maximum relative humidity of 60 % RH. before the solder reflow process.

WLCSP packages are qualified for MSL 1.

QFN packages are qualified for MSL 3.

MSL Level	Floor Life Time
MSL 4	72 hours
MSL 3	168 hours
MSL 2A	4 weeks
MSL 2	1 year
MSL 1	Unlimited at 30 °C / 85 % RH

### 28.2 WLCSP HANDLING

Manual handling of WLCSP packages should be reduced to the absolute minimum. In cases where it is still necessary, a vacuum pick-up tool should be used. In extreme cases plastic tweezers could be used, but metal tweezers are not acceptable, since contact may easily damage the silicon chip.

Removal will cause damage to the solder balls and therefore a removed sample cannot be reused.

WLCSP is sensitive to visible and infrared light. Precautions should be taken to properly shield the chip in the final product.

### 28.3 SOLDERING INFORMATION

Refer to the JEDEC standard J-STD-020 for relevant soldering information.

This document can be downloaded from <http://www.jedec.org>

28.4 PACKAGE OUTLINES

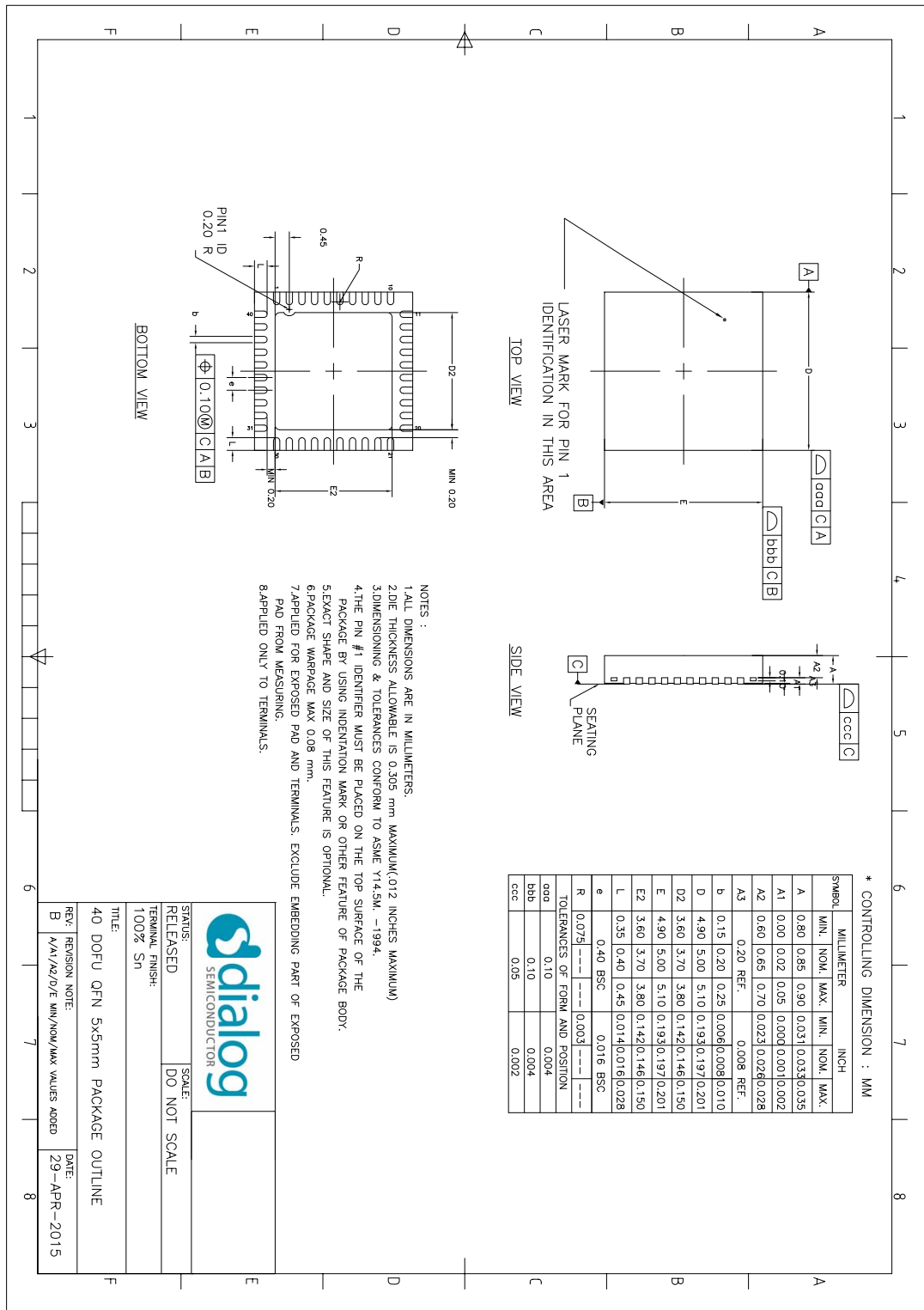


Figure 69: QFN40 Package Outline Drawing

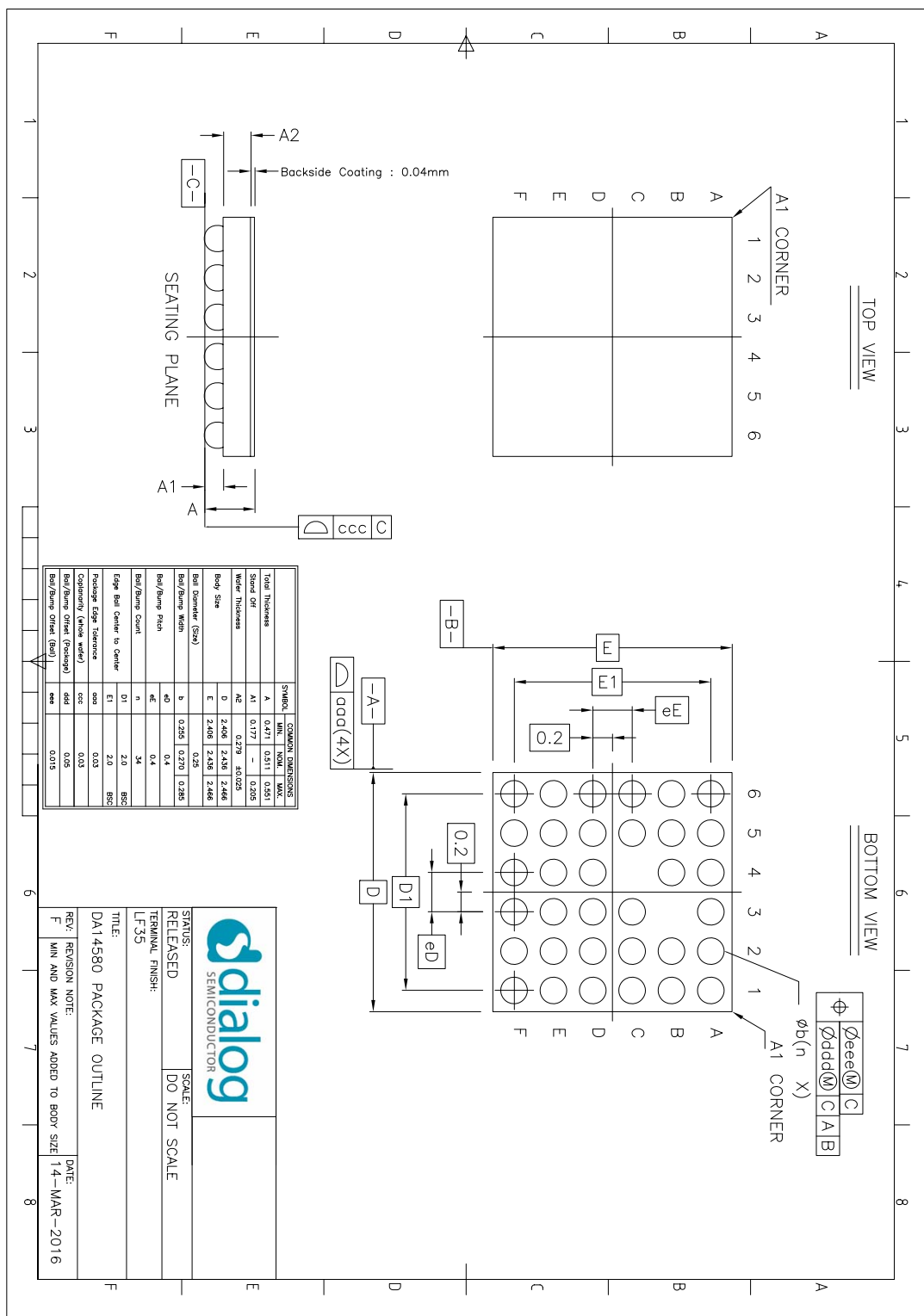


Figure 70: WLCSP34 Package Outline Drawing

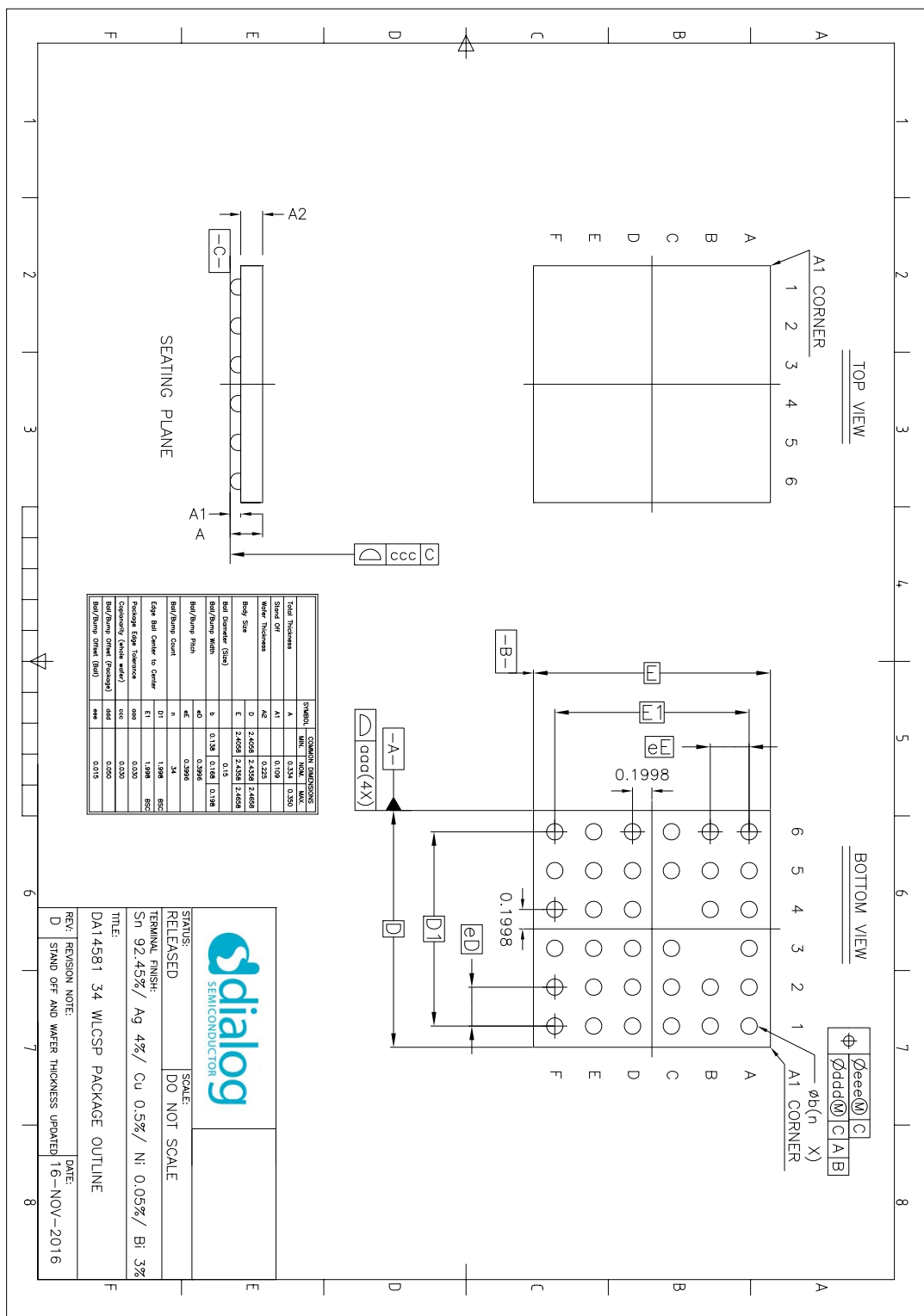


Figure 71: Ultra-Thin WLCSP34 Package Outline Drawing



## Status Definitions

Version	Datasheet Status	Product Status	Definition
1.<n>	Target	Development	This datasheet contains the design specifications for product development. Specifications may change in any manner without notice.
2.<n>	Preliminary	Qualification	This datasheet contains the specifications and preliminary characterization data for products in pre-production. Specifications may be changed at any time without notice in order to improve the design.
3.<n>	Final	Production	This datasheet contains the final specifications for products in volume production. The specifications may be changed at any time in order to improve the design, manufacturing and supply. Major specification changes are communicated via Customer Product Notifications. Datasheet changes are communicated via <a href="http://www.dialog-semiconductor.com">www.dialog-semiconductor.com</a> .
4.<n>	Obsolete	Archived	This datasheet contains the specifications for discontinued products. The information is provided for reference only.

## Disclaimer

Information in this document is believed to be accurate and reliable. However, Dialog Semiconductor does not give any representations or warranties, expressed or implied, as to the accuracy or completeness of such information. Dialog Semiconductor furthermore takes no responsibility whatsoever for the content in this document if provided by any information source outside of Dialog Semiconductor.

Dialog Semiconductor reserves the right to change without notice the information published in this document, including without limitation the specification and design of the related semiconductor products, software and applications.

Applications, software, and semiconductor products described in this document are for illustrative purposes only. Dialog Semiconductor makes no representation or warranty that such applications, software and semiconductor products will be suitable for the specified use without further testing or modification. Unless otherwise agreed in writing, such testing or modification is the sole responsibility of the customer and Dialog Semiconductor excludes all liability in this respect.

Customer notes that nothing in this document may be construed as a license for customer to use the Dialog Semiconductor products, software and applications referred to in this document. Such license must be separately sought by customer with Dialog Semiconductor.

All use of Dialog Semiconductor products, software and applications referred to in this document are subject to Dialog Semiconductor's [Standard Terms and Conditions of Sale](http://www.dialog-semiconductor.com), available on the company website ([www.dialog-semiconductor.com](http://www.dialog-semiconductor.com)) unless otherwise stated.

Dialog and the Dialog logo are trademarks of Dialog Semiconductor plc or its subsidiaries. All other product or service names are the property of their respective owners.

© 2014 Dialog Semiconductor. All rights reserved.

## RoHS Compliance

Dialog Semiconductor's suppliers certify that its products are in compliance with the requirements of Directive 2011/65/EU of the European Parliament on the restriction of the use of certain hazardous substances in electrical and electronic equipment. RoHS certificates from our suppliers are available on request.

## Contacting Dialog Semiconductor

### United Kingdom (Headquarters)

Dialog Semiconductor (UK) LTD  
Phone: +44 1793 757700

### Germany

Dialog Semiconductor GmbH  
Phone: +49 7021 805-0

### The Netherlands

Dialog Semiconductor B.V.  
Phone: +31 73 640 8822

### Email:

[enquiry@diasemi.com](mailto:enquiry@diasemi.com)

### North America

Dialog Semiconductor Inc.  
Phone: +1 408 845 8500

### Japan

Dialog Semiconductor K. K.  
Phone: +81 3 5425 4567

### Taiwan

Dialog Semiconductor Taiwan  
Phone: +886 281 786 222

### Web site:

[www.dialog-semiconductor.com](http://www.dialog-semiconductor.com)

### Singapore

Dialog Semiconductor Singapore  
Phone: +65 64 8499 29

### Hong Kong

Dialog Semiconductor Hong Kong  
Phone: +852 3769 5200

### Korea

Dialog Semiconductor Korea  
Phone: +82 2 3469 8200

### China (Shenzhen)

Dialog Semiconductor China  
Phone: +86 755 2981 3669

### China (Shanghai)

Dialog Semiconductor China  
Phone: +86 21 5424 9058

233