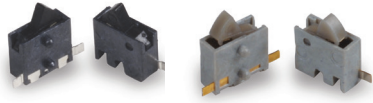


# HDS Series Micro Mini Side Actuated Surface Mount Detect Switches



## Features/Benefits

- Low profile package sits just 1.4 mm off PCB
- Design allows top or side actuation
- Right and left options available
- Low actuation force, 30 grams max.
- Pick and place compatible, available in tape & reel packaging
- RoHS compliant and compatible

## Typical Applications

- Consumer electronics
- Computers
- Medical devices
- Mobile Communications
- ATCA and MicroTCA devices

## Specifications

CONTACT RATING: 1 mA 5 VDC

MECHANICAL AND ELECTRICAL LIFE: 100,000 cycles min.

CONTACT RESISTANCE: 1  $\Omega$  max. initial.

INSULATION RESISTANCE: 100 M  $\Omega$  min. between adjacent contacts.

OPERATING TEMPERATURE: -40°C to + 80°C

STORAGE TEMPERATURE: -40°C to + 80°C

PACKAGING: tape & reel; 5,000 per reel.

TRAVEL:

Pre-travel .17 mm min.

Overtravel: .5 mm min.

Total: 1.07 mm

## Materials

BASE: LCP HDS001L: Gray HDS001R: Black

COVER: PA 46 (UL94V-0)

ACTUATOR: PA 46 (UL94V-0) HDS001L: Gray HDS001R: Black

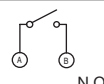
MOVABLE BLADE: Stainless Steel, Ag over Ni plating.

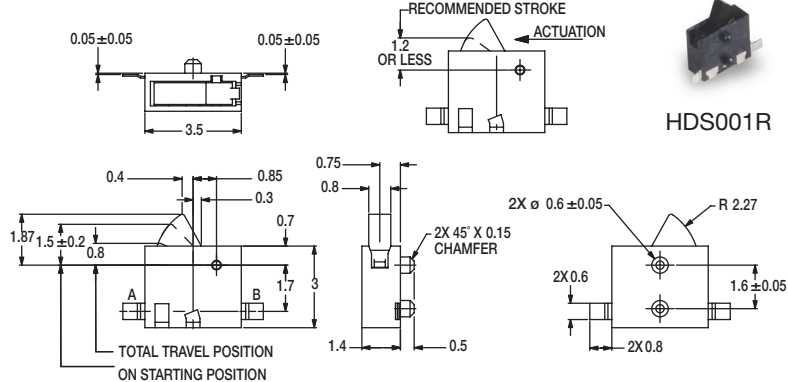
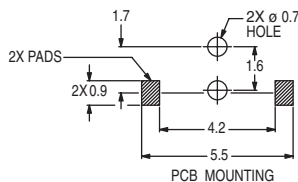
TERMINALS: Phosphor Bronze, Ag plating.

**NOTE:** Specifications and materials listed above are for switches with standard options. For information on specific and custom switches, consult Customer Service Center.

## Build-A-Switch

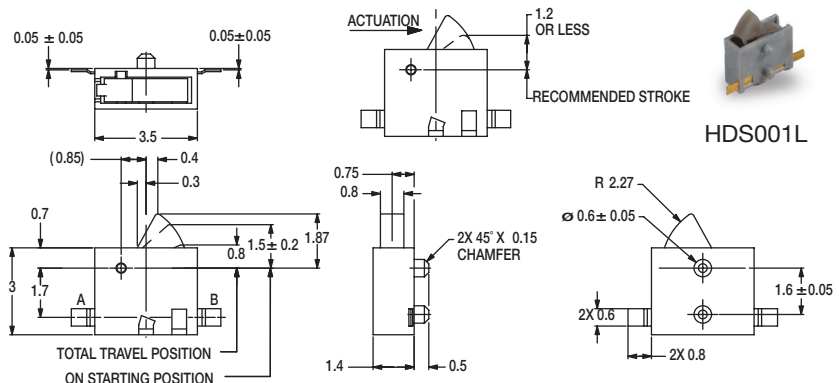
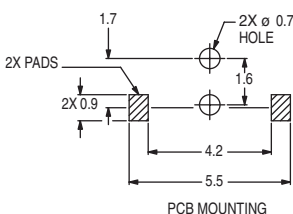
Complete part numbers for HDS Series are shown below.

PART NUMBER	PACKAGING	SCHEMATIC
<b>HDS001R</b>	TAPE & REEL	 N.O.

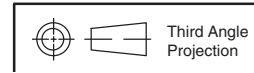


HDS001R

PART NUMBER	PACKAGING	SCHEMATIC
<b>HDS001L</b>	TAPE & REEL	 N.O.



HDS001L



Third Angle Projection

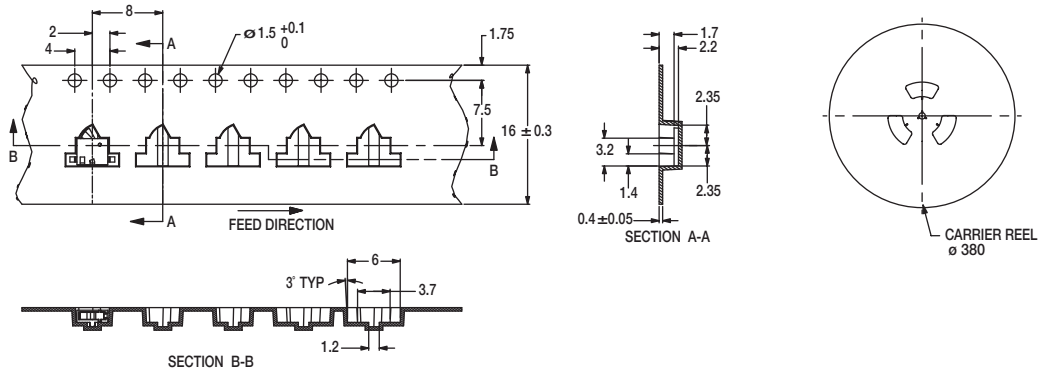
Dimensions are shown: mm  
Specifications and dimensions subject to change



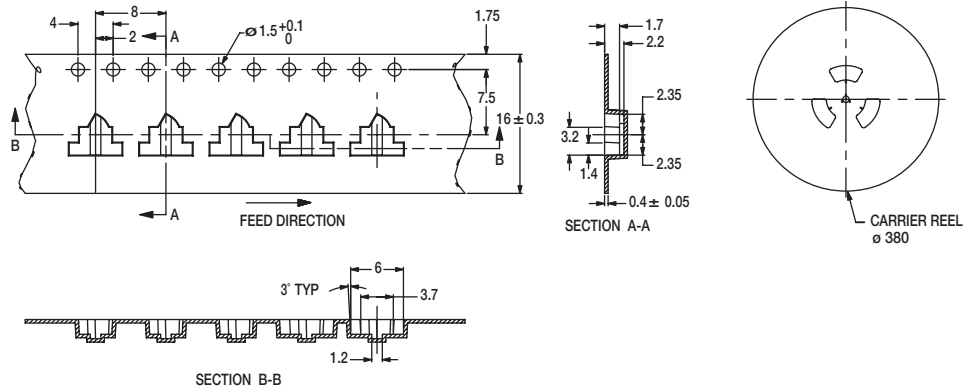
# HDS Series Micro Mini Side Actuated Surface Mount Detect Switches

## TAPE & REEL

HDS001R



HDS001L



NOTE: Quantity per reel: 5,000 pieces