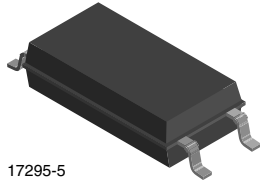
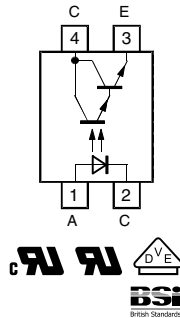


## Optocoupler, Photodarlington Output, SOP-4L, Long Mini-Flat Package



17295-5



### FEATURES

- Low profile package
- Darlington output
- Extra low coupling capacity - typical 0.2 pF
- High common mode rejection
- Creepage current resistance according to VDE 0303/IEC 60112 comparative tracking index: CTI ≥ 175
- Creepage distance > 8 mm
- Tested acc. 60950: AM4: 1997 clause 2.9.6.
- Material categorization: For definitions of compliance please see [www.vishay.com/doc?99912](http://www.vishay.com/doc?99912)



### DESCRIPTION

The TCLD1000 consists of a darlington phototransistor optically coupled to a gallium arsenide infrared-emitting diode in a 4-lead SO6L package.

### AGENCY APPROVALS

- UL1577, file no. E76222
- CSA 22.2 bulletin 5A, double protection
- BSI IEC 60950; IEC 60065
- DIN EN 60747-5-2 (VDE 0884)/DIN EN 60747-5-5 pending

### APPLICATIONS

- Switch-mode power supplies
- Line receiver
- Computer peripheral interface
- Microprocessor system interface
- Reinforced isolation provides circuit protection against electrical shock (safety class II)
- Circuits for safe protective separation against electrical shock according to safety class II (reinforced isolation):
  - for appl. class I to IV at mains voltage ≤ 300 V
  - for appl. class I to III at mains voltage ≤ 600 V according to DIN EN 60747-5-2 (VDE 0884)

| ORDERING INFORMATION  |          |
|---|----------|
| <div style="display: flex; justify-content: space-around; align-items: center;"> <div style="border: 1px solid black; padding: 2px 5px; margin: 2px;">T</div> <div style="border: 1px solid black; padding: 2px 5px; margin: 2px;">C</div> <div style="border: 1px solid black; padding: 2px 5px; margin: 2px;">L</div> <div style="border: 1px solid black; padding: 2px 5px; margin: 2px;">D</div> <div style="border: 1px solid black; padding: 2px 5px; margin: 2px;">1</div> <div style="border: 1px solid black; padding: 2px 5px; margin: 2px;">0</div> <div style="border: 1px solid black; padding: 2px 5px; margin: 2px;">0</div> <div style="border: 1px solid black; padding: 2px 5px; margin: 2px;">0</div> </div> <p style="text-align: center; margin-top: 5px;">PART NUMBER</p> |          |
| AGENCY CERTIFIED/PACKAGE  | CTR (%)  |
| UL, cUL, VDE, BSI   | > 600    |
| SOP-4L, mini-flat, long   | TCLD1000 |

| ABSOLUTE MAXIMUM RATINGS ( $T_{amb} = 25\text{ }^{\circ}\text{C}$ , unless otherwise specified) |                                  |            |       |                    |
|---|----------------------------------|------------|-------|--------------------|
| PARAMETER   | TEST CONDITION                   | SYMBOL     | VALUE | UNIT               |
| <b>INPUT</b>  |                                  |            |       |                    |
| Reverse voltage   |                                  | $V_R$      | 6     | V                  |
| Forward current   |                                  | $I_F$      | 60    | mA                 |
| Forward surge current   | $t_p \leq 10\text{ }\mu\text{s}$ | $I_{FSM}$  | 1.5   | A                  |
| Power dissipation   |                                  | $P_{diss}$ | 100   | mW                 |
| Junction temperature  |                                  | $T_j$      | 125   | $^{\circ}\text{C}$ |



| ABSOLUTE MAXIMUM RATINGS ( $T_{amb} = 25\text{ }^{\circ}\text{C}$ , unless otherwise specified) |                                      |            |             |                    |
|---|--------------------------------------|------------|-------------|--------------------|
| PARAMETER   | TEST CONDITION                       | SYMBOL     | VALUE       | UNIT               |
| <b>OUTPUT</b>   |                                      |            |             |                    |
| Collector emitter voltage   |                                      | $V_{CEO}$  | 35          | V                  |
| Emitter collector voltage   |                                      | $V_{ECO}$  | 7           | V                  |
| Collector current   |                                      | $I_C$      | 80          | mA                 |
| Collector peak current  | $t_p/T = 0.5, t_p \leq 10\text{ ms}$ | $I_{CM}$   | 100         | mA                 |
| Power dissipation   |                                      | $P_{diss}$ | 150         | mW                 |
| Junction temperature  |                                      | $T_j$      | 125         | $^{\circ}\text{C}$ |
| <b>COUPLER</b>  |                                      |            |             |                    |
| Isolation test voltage (RMS)  |                                      | $V_{ISO}$  | 5000        | $V_{RMS}$          |
| Total power dissipation   |                                      | $P_{tot}$  | 250         | mW                 |
| Operating ambient temperature range   |                                      | $T_{amb}$  | -55 to +100 | $^{\circ}\text{C}$ |
| Storage temperature range   |                                      | $T_{stg}$  | -55 to +150 | $^{\circ}\text{C}$ |
| Soldering temperature <sup>(1)</sup>  |                                      | $T_{slid}$ | 260         | $^{\circ}\text{C}$ |

**Notes**

- Stresses in excess of the absolute maximum ratings can cause permanent damage to the device. Functional operation of the device is not implied at these or any other conditions in excess of those given in the operational sections of this document. Exposure to absolute maximum ratings for extended periods of the time can adversely affect reliability.
- <sup>(1)</sup> Wave soldering three cycles are allowed. Also refer to "Assembly Instructions" ([www.vishay.com/doc?80054](http://www.vishay.com/doc?80054)).

| ELECTRICAL CHARACTERISTICS ( $T_{amb} = 25\text{ }^{\circ}\text{C}$ , unless otherwise specified) |  |             |      |      |      |      |
|---|--|-------------|------|------|------|------|
| PARAMETER   | TEST CONDITION   | SYMBOL      | MIN. | TYP. | MAX. | UNIT |
| <b>INPUT</b>  |  |             |      |      |      |      |
| Forward voltage   | $I_F = 20\text{ mA}$   | $V_F$       |      | 1.1  | 1.4  | V    |
| Junction capacitance  | $V_R = 0\text{ V}, f = 1\text{ MHz}$                               | $C_j$       |      | 50   |      | pF   |
| <b>OUTPUT</b>   |  |             |      |      |      |      |
| Collector emitter voltage   | $I_C = 1\text{ mA}$  | $V_{CEO}$   | 32   |      |      | V    |
| Emitter collector voltage   | $I_E = 100\text{ }\mu\text{A}$                                     | $V_{ECO}$   | 7    |      |      | V    |
| Collector emitter leakage current   | $V_{CE} = 10\text{ V}, I_F = 0\text{ A}$                           | $I_{CEO}$   |      | 15   | 100  | nA   |
| <b>COUPLER</b>  |  |             |      |      |      |      |
| Collector emitter saturation voltage  | $I_F = 20\text{ mA}, I_C = 5\text{ mA}$                            | $V_{CEsat}$ |      |      | 1    | V    |
| Cut-off frequency   | $V_{CE} = 5\text{ V}, I_F = 10\text{ mA}, R_L = 100\text{ }\Omega$ | $f_c$       |      | 10   |      | kHz  |
| Coupling capacitance  | $f = 1\text{ MHz}$   | $C_k$       |      | 0.3  |      | pF   |

**Note**

- Minimum and maximum values are tested requirements. Typical values are characteristics of the device and are the result of engineering evaluations. Typical values are for information only and are not part of the testing requirements.

| CURRENT TRANSFER RATIO ( $T_{amb} = 25\text{ }^{\circ}\text{C}$ , unless otherwise specified) |  |        |      |      |      |      |
|---|--|--------|------|------|------|------|
| PARAMETER   | TEST CONDITION                           | SYMBOL | MIN. | TYP. | MAX. | UNIT |
| $I_C/I_F$   | $V_{CE} = 2\text{ V}, I_F = 1\text{ mA}$ | CTR    | 600  | 800  |      | %    |

| SAFETY AND INSULATION RATED PARAMETERS                  |   |            |           |      |      |          |
|---|---|------------|-----------|------|------|----------|
| PARAMETER   | TEST CONDITION  | SYMBOL     | MIN.      | TYP. | MAX. | UNIT     |
| Partial discharge test voltage - routine test           | 100 %, $t_{test} = 1$ s                                       | $V_{pd}$   | 2         |      |      | kV       |
| Partial discharge test voltage - lot test (sample test) | $t_{Tr} = 60$ s, $t_{test} = 10$ s, (see figure 2)            | $V_{IOTM}$ | 8         |      |      | kV       |
|   |   | $V_{pd}$   | 1.68      |      |      | kV       |
| Insulation resistance                                   | $V_{IO} = 500$ V  | $R_{IO}$   | $10^{12}$ |      |      | $\Omega$ |
|   | $V_{IO} = 500$ V, $T_{amb} = 100$ °C                          | $R_{IO}$   | $10^{11}$ |      |      | $\Omega$ |
|   | $V_{IO} = 500$ V, $T_{amb} = 150$ °C (construction test only) | $R_{IO}$   | $10^9$    |      |      | $\Omega$ |
| Forward current   |   | $I_{si}$   | 130       |      |      | mA       |
| Power dissipation                                       |   | $P_{so}$   | 265       |      |      | mW       |
| Rated impulse voltage                                   |   | $V_{IOTM}$ | 8         |      |      | kV       |
| Safety temperature                                      |   | $T_{si}$   | 150       |      |      | °C       |
| Clearance distance                                      |   |            | 8.0       |      |      | mm       |
| Creepage distance                                       |   |            | 8.0       |      |      | mm       |
| Insulation distance (internal)                          |   |            | 0.40      |      |      | mm       |

**Note**

- According to DIN EN 60747-5-2 (VDE 0884) (see figure 2). This optocoupler is suitable for safe electrical isolation only within the safety ratings. Compliance with the safety ratings shall be ensured by means of suitable protective circuits.

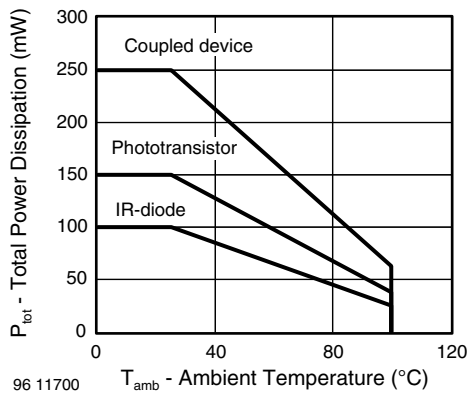


Fig. 1 - Derating Diagram

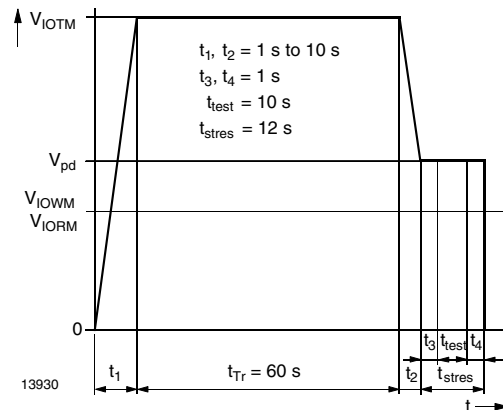


Fig. 2 - Test Pulse Diagram for Sample Test According to DIN EN 60747-5-2 (VDE 0884); IEC 60747-5-5

| SWITCHING CHARACTERISTICS ( $T_{amb} = 25$ °C, unless otherwise specified) |  |           |      |      |      |         |
|--|--|-----------|------|------|------|---------|
| PARAMETER  | TEST CONDITION   | SYMBOL    | MIN. | TYP. | MAX. | UNIT    |
| Rise time  | $V_{CE} = 2$ V, $I_C = 10$ mA, $R_L = 100$ $\Omega$ , (see figure 3) | $t_r$     |      | 300  |      | $\mu$ s |
| Turn-off time  | $V_{CE} = 2$ V, $I_C = 10$ mA, $R_L = 100$ $\Omega$ , (see figure 3) | $t_{off}$ |      | 250  |      | $\mu$ s |

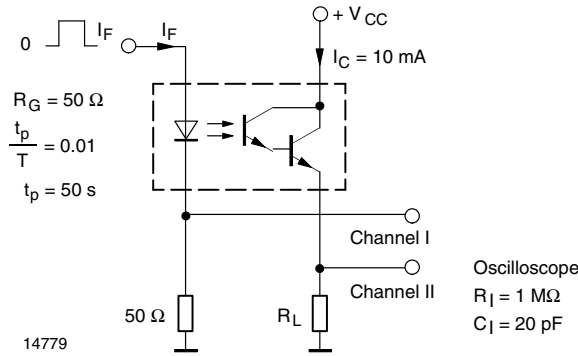


Fig. 3 - Test Circuit, Non-Saturated Operation

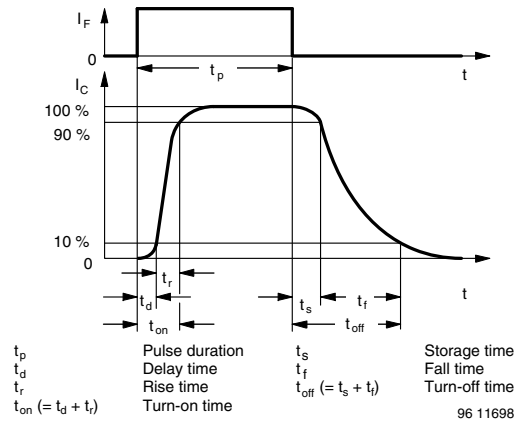


Fig. 4 - Switching Times

**TYPICAL CHARACTERISTICS** ( $T_{amb} = 25\text{ }^\circ\text{C}$ , unless otherwise specified)

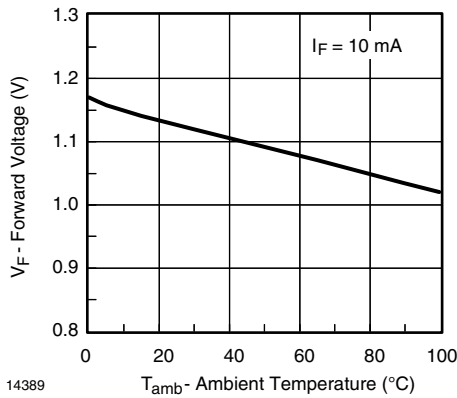


Fig. 5 - Forward Voltage vs. Ambient Temperature

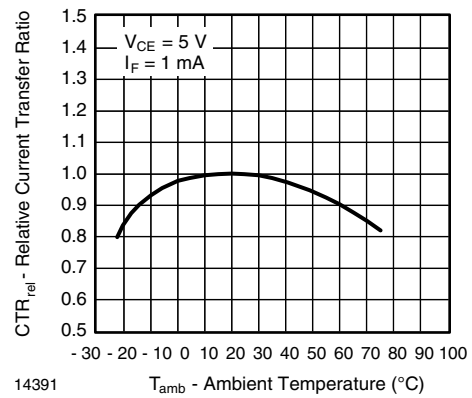


Fig. 7 - Relative Current Transfer Ratio vs. Ambient Temperature

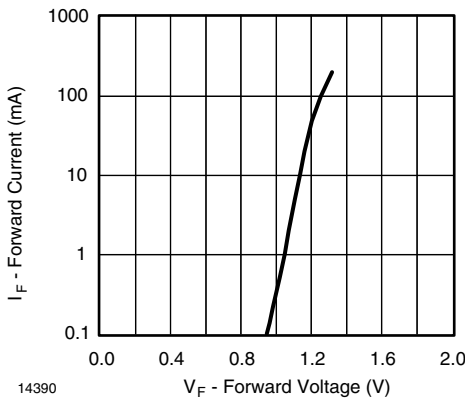


Fig. 6 - Forward Current vs. Forward Voltage

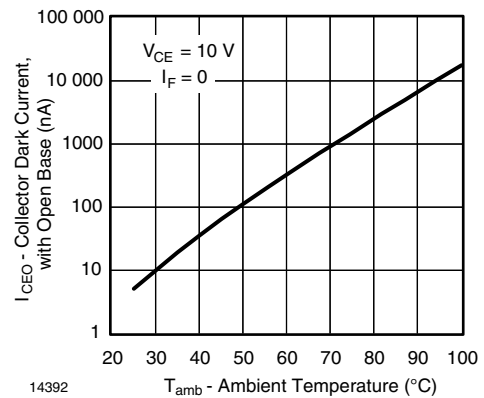


Fig. 8 - Collector Dark Current vs. Ambient Temperature

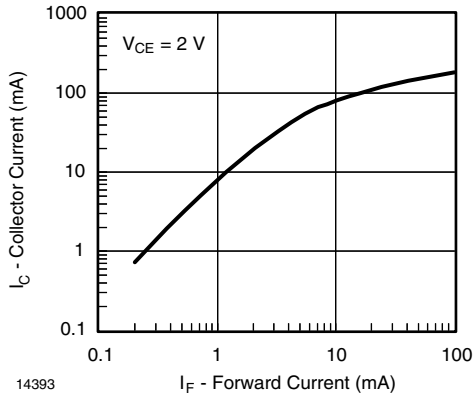


Fig. 9 - Collector Current vs. Forward Current

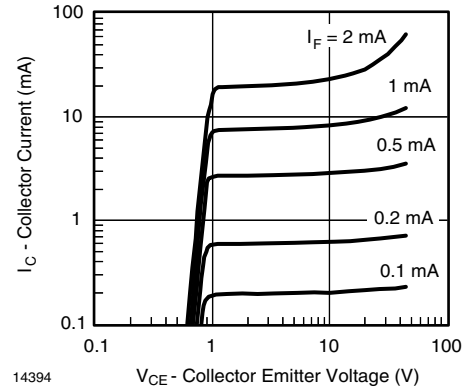
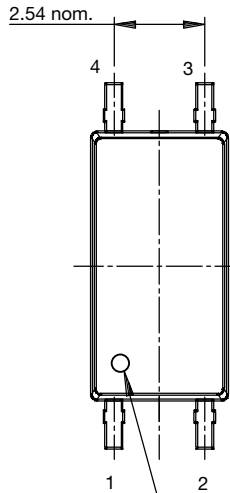
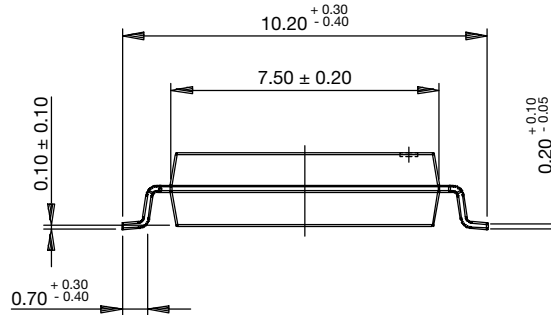
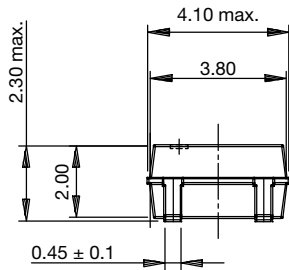


Fig. 10 - Collector Current vs. Collector Emitter Voltage

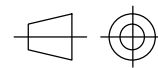
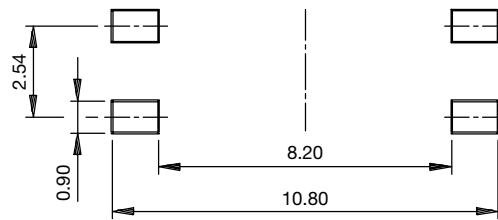
**PACKAGE DIMENSIONS** in millimeters



22533

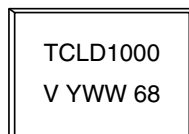
Pin no. 1 identification

Possible footprint



technical drawings according to DIN specifications

**PACKAGE MARKING**





## Disclaimer

ALL PRODUCT, PRODUCT SPECIFICATIONS AND DATA ARE SUBJECT TO CHANGE WITHOUT NOTICE TO IMPROVE RELIABILITY, FUNCTION OR DESIGN OR OTHERWISE.

Vishay Intertechnology, Inc., its affiliates, agents, and employees, and all persons acting on its or their behalf (collectively, "Vishay"), disclaim any and all liability for any errors, inaccuracies or incompleteness contained in any datasheet or in any other disclosure relating to any product.

Vishay makes no warranty, representation or guarantee regarding the suitability of the products for any particular purpose or the continuing production of any product. To the maximum extent permitted by applicable law, Vishay disclaims (i) any and all liability arising out of the application or use of any product, (ii) any and all liability, including without limitation special, consequential or incidental damages, and (iii) any and all implied warranties, including warranties of fitness for particular purpose, non-infringement and merchantability.

Statements regarding the suitability of products for certain types of applications are based on Vishay's knowledge of typical requirements that are often placed on Vishay products in generic applications. Such statements are not binding statements about the suitability of products for a particular application. It is the customer's responsibility to validate that a particular product with the properties described in the product specification is suitable for use in a particular application. Parameters provided in datasheets and / or specifications may vary in different applications and performance may vary over time. All operating parameters, including typical parameters, must be validated for each customer application by the customer's technical experts. Product specifications do not expand or otherwise modify Vishay's terms and conditions of purchase, including but not limited to the warranty expressed therein.

Hyperlinks included in this datasheet may direct users to third-party websites. These links are provided as a convenience and for informational purposes only. Inclusion of these hyperlinks does not constitute an endorsement or an approval by Vishay of any of the products, services or opinions of the corporation, organization or individual associated with the third-party website. Vishay disclaims any and all liability and bears no responsibility for the accuracy, legality or content of the third-party website or for that of subsequent links.

Except as expressly indicated in writing, Vishay products are not designed for use in medical, life-saving, or life-sustaining applications or for any other application in which the failure of the Vishay product could result in personal injury or death. Customers using or selling Vishay products not expressly indicated for use in such applications do so at their own risk. Please contact authorized Vishay personnel to obtain written terms and conditions regarding products designed for such applications.

No license, express or implied, by estoppel or otherwise, to any intellectual property rights is granted by this document or by any conduct of Vishay. Product names and markings noted herein may be trademarks of their respective owners.