

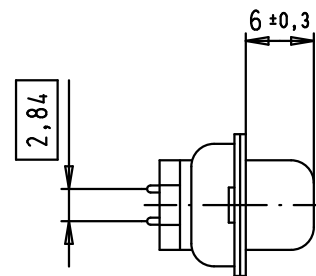
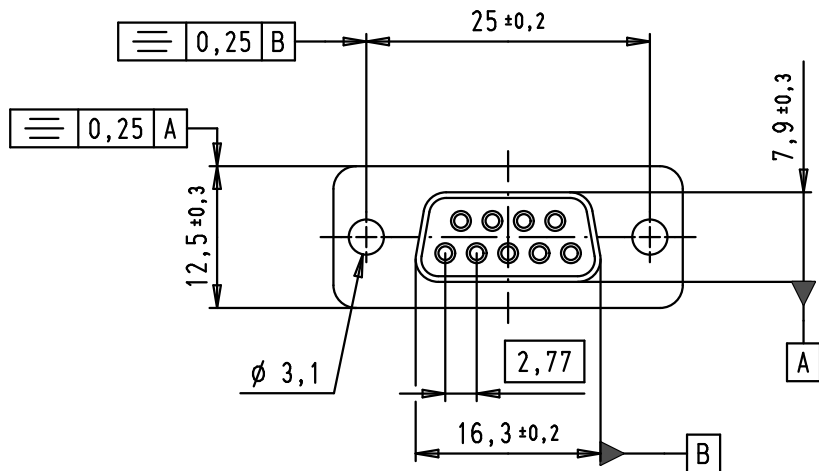
5

4

3

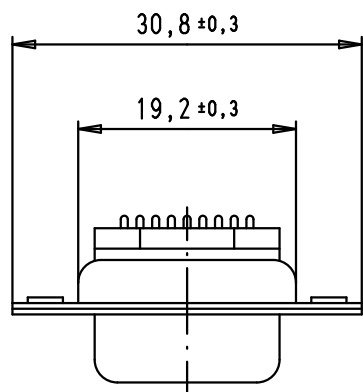
2

1



SPECIFICATIONS



FREQUENCY (MHz)	ATTENUATION (dB)
5	0,5
10	1
50	2,5
100	3
500	3,5
1000	4



Solder bucket termination inner diameter: 1,20 mm

Operating voltage < 250 V AC
 Working current < 7,5 A
 Insulation resistance > 1GΩ
 Contact resistance < 15 mΩ
 Dielectric withstanding voltage 500 V AC / minute

A

				Dot.	Name	 All Dim. in mm Orig. Size DIN A 4	D-Sub, female, straight, 9 poles, tin plated shell, solder buckets, ferrite filter	Maßstab/ Scale 1,5:1
			Detail.	11/06/09	PK			
			Insp.					
			Stand.					
36160	22/09/10	SC	HARTING EURL F-95972 Paris				TB 09 64 111 7800	Blatt/ Page 1 / 1
EC00332	11/06/09	PK	Mod.	Dot.	Name			
09 64 111 7800	PL3	Part number	Performance level					