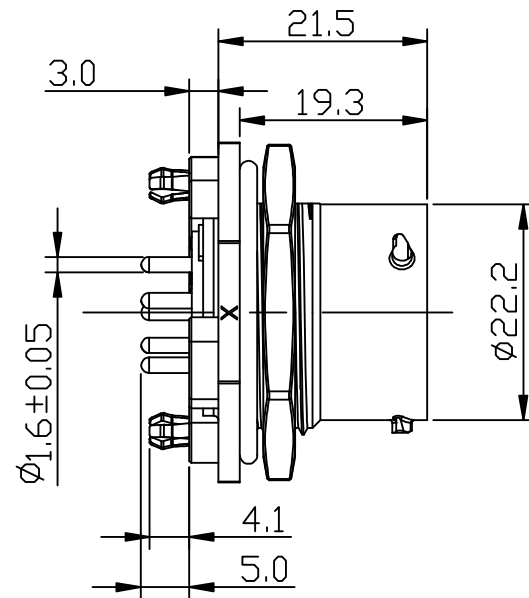
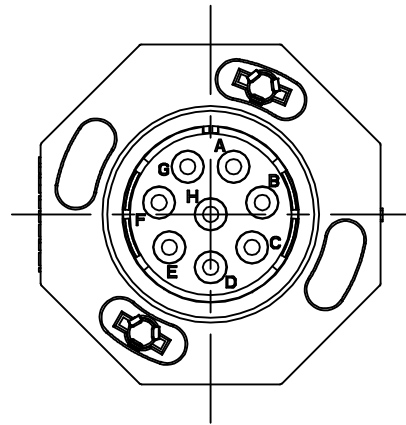
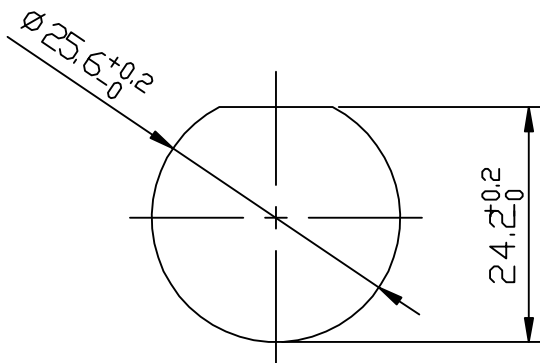
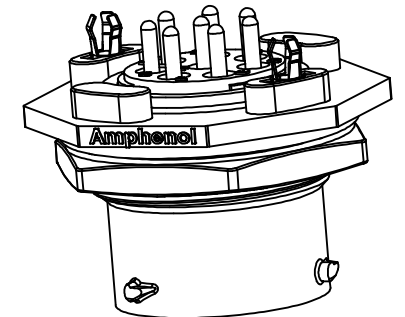
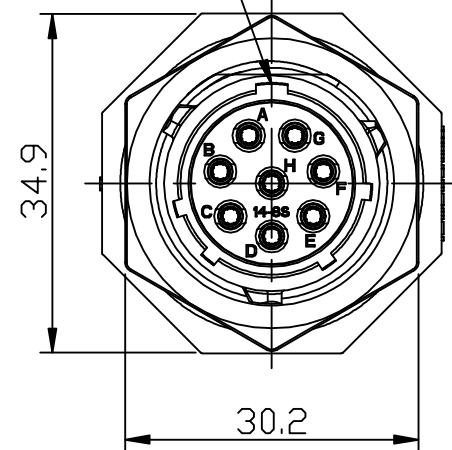


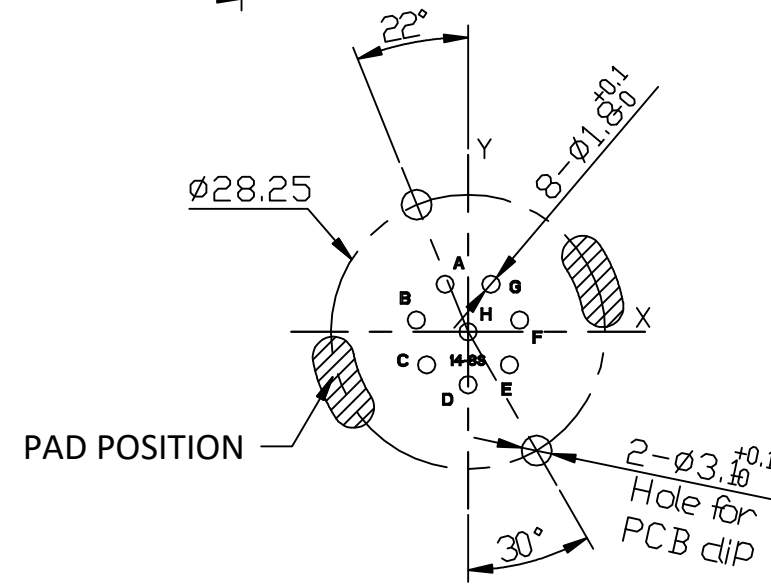
REVISIONS					
REV	ECO	DESCRIPTION	DATE	BY	APPR
A1	-	FIRST RELEASED	Jul-30-2019	Ronald	Tommy



MASTER KEYWAY



RECOMMEND MOUNTING HOLE



PAD POSITION

RECOMMEND PCB LAYOUT

Position number	X	Y
A	-2.364	4.910
B	-5.313	1.213
C	-4.261	-3.397
D	0.000	-5.450
E	4.261	-3.398
F	5.313	1.212
G	2.364	4.910
H	0.000	0.000

NOTES: (UNLESS OTHERWISE SPECIFIED)

1. MATERIAL:

SHELL: THERMOPLASTIC, UL94 V-0.

INSERT: THERMOPLASTIC, UL94 V-0.

O-RING: SILICONE RUBBER.

SEAL GASKET: SILICONE RUBBER.

JAM NUT: ALUMINIUM ALLOY, BLACK ANODIZING.

CONTACT: COPPER ALLOY, GOLD PLATED.

LOCKING POSTS: COPPER ALLOY, TIN PLATED.

2. SPECIFICATIONS:

2.1 RATED CURRENT: 13A (MAX).

2.2, RATED VOLTAGE: 500V (AC/DC).

2.3, OPERATING TEMPERATURE: -40C - 125C.

2.4 DIELECTRIC WITHSTANDING VOLTAGE: LESS THAN 2 MILLIAMPS CURRENT LEAKAGE@2000 VOLTS AC.

2.5 INSULATION RESISTANCE: 5000 MEGOHMS MIN.

2.6 IP--CLASS: IP67 AND IP69K IN THE MATED CONDITION.

2.7 MATING CYCLES DURABILITY: 500 CYCLES MIN.

2.8 RoHS COMPLIANT.

3. SUITABLE CONTACTS: 16# CONTACT

4. ALL DIMENSIONS ARE FOR REFERENCE USE ONLY.

KEY	PART NUMBER
N	RTS714ND8S0332
W	RTS714WD8S0332
X	RTS714XD8S0332
Y	RTS714YD8S0332
Z	RTS714ZD8S0332

QUANTITY	PART NUMBER	DESCRIPTION	ITEM																
<b>MATERIALS LIST</b>																			
UNLESS OTHERWISE SPECIFIED 1) All dimensions are in metric(mm). 2) Tolerances are as follows: 1 PL DEC ±0.20 Fractions ±1/64 2 PL DEC ±0.15 Angles ±1° 3 PL DEC ±0.08 3) Note reference = $\Delta$		<table border="1"> <thead> <tr> <th>SIGNATURES</th> <th>DATE</th> </tr> </thead> <tbody> <tr> <td>DRAWN: <b>Ronald</b></td> <td>Jul-30-2019</td> </tr> <tr> <td>CHECKED: <b>Martin</b></td> <td>Jul-30-2019</td> </tr> <tr> <td>ENGINEER:</td> <td></td> </tr> <tr> <td>APPROVAL: <b>Tommy</b></td> <td>Jul-30-2019</td> </tr> <tr> <td>MATERIAL SPECIFICATIONS:</td> <td></td> </tr> <tr> <td>PROCESS SPECIFICATIONS:</td> <td></td> </tr> <tr> <td>NEXT ASS'Y:</td> <td></td> </tr> </tbody> </table>		SIGNATURES	DATE	DRAWN: <b>Ronald</b>	Jul-30-2019	CHECKED: <b>Martin</b>	Jul-30-2019	ENGINEER:		APPROVAL: <b>Tommy</b>	Jul-30-2019	MATERIAL SPECIFICATIONS:		PROCESS SPECIFICATIONS:		NEXT ASS'Y:	
SIGNATURES	DATE																		
DRAWN: <b>Ronald</b>	Jul-30-2019																		
CHECKED: <b>Martin</b>	Jul-30-2019																		
ENGINEER:																			
APPROVAL: <b>Tommy</b>	Jul-30-2019																		
MATERIAL SPECIFICATIONS:																			
PROCESS SPECIFICATIONS:																			
NEXT ASS'Y:																			
		Sine Systems - www.amphenol-sine.com 44724 Morley Drive Clinton Township, MI 48036																	
		ECOMATE® AQUARIUS™, RECEPTACLE, JAM NUT, 8POS, SOCKET CONTACT, DIPSOLDER, SIZE 14																	
		<table border="1"> <thead> <tr> <th>SIZE</th> <th>TYPE</th> <th>DWG NO:</th> <th>REVISION</th> </tr> </thead> <tbody> <tr> <td>B</td> <td>C-</td> <td>RTS714*D8S0332</td> <td>A1</td> </tr> </tbody> </table>	SIZE	TYPE	DWG NO:	REVISION	B	C-	RTS714*D8S0332	A1									
SIZE	TYPE	DWG NO:	REVISION																
B	C-	RTS714*D8S0332	A1																
		SCALE: NONE	SHEET 1 OF 1																

TITLE: ECOMATE® AQUARIUS™, RECEPTACLE, JAM NUT, SOCKET CONTACT, DIPSOLDER, SIZE 14  
 DVG NO: RTS714D8S0332  
 REV: A1  
 SH: 1  
 DF: 1