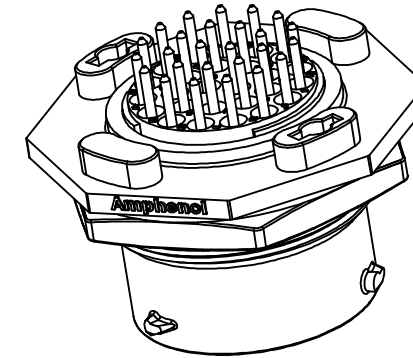
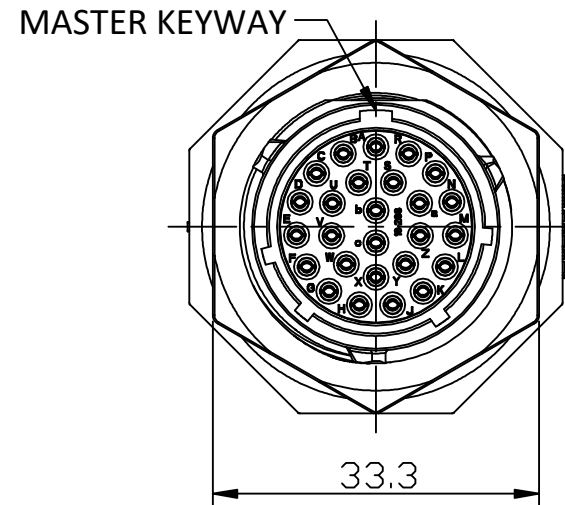
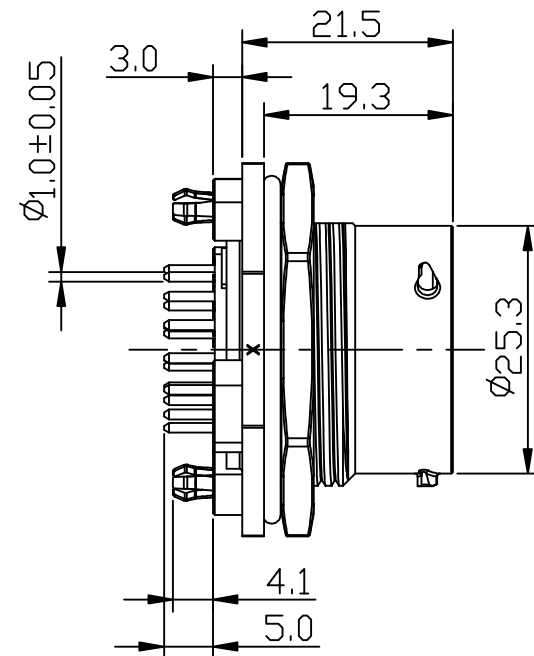
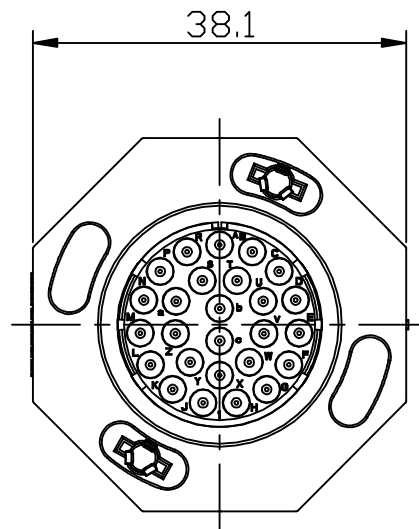
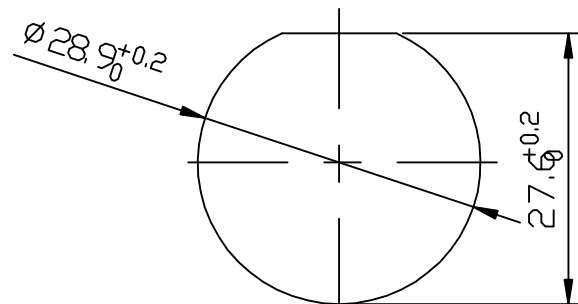


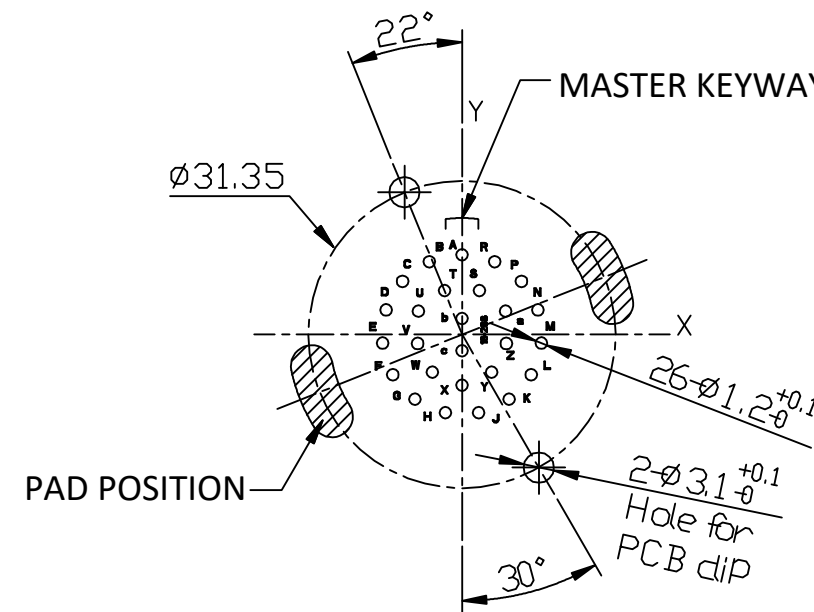
REVISIONS					
REV	ECD	DESCRIPTION	DATE	BY	APPR
A1	-	RELEASED DRAWING	Jul-29-2019	Ronald	Tommy



Position number	X	Y
A	0.000	8.150
B	-3.330	7.442
C	-6.071	5.440
D	-7.747	2.515
E	-8.103	-0.864
F	-7.061	-4.089
G	-4.801	-6.600
H	-1.702	-7.976
J	1.702	-7.976
K	4.801	-6.600
L	7.061	-4.089
M	8.103	-0.864
N	7.747	2.515
P	6.071	5.440
R	3.330	7.442
S	1.778	4.496
T	-1.778	4.496
U	-4.445	2.388
V	-4.521	-0.914
W	-3.023	-3.835
X	0.000	-5.156
Y	3.023	-3.835
Z	4.521	-0.914
a	4.445	2.388
b	0.000	1.650
c	0.000	-1.650



RECOMMEND MOUNTING HOLE



RECOMMEND PCB LAYOUT

NOTES: (UNLESS OTHERWISE SPECIFIED)

1. MATERIAL:

- SHELL: THERMOPLASTIC, UL94 V-0.
- INSERT: THERMOPLASTIC, UL94 V-0.
- O-RING: NBR/SILICONE RUBBER.
- FIXED RUBBER: NBR/SILICONE RUBBER.
- SEAL GASKET: NBR/SILICONE RUBBER.
- JAM NUT: ALUMINIUM ALLOY, BLACK ANODIZING.
- CONTACT: COPPER ALLOY, GOLD PLATED.
- LOCKING POSTS: COPPER ALLOY, TIN PLATED.

2. SPECIFICATIONS:

- 2.1 RATED CURRENT: MACHINED CONTACT 7.5A(MAX).
- 2.2 RATED VOLTAGE: 250V(AC/DC).
- 2.3 OPERATING TEMPERATURE: -40C - 125C.
- 2.4 DIELECTRIC WITHSTANDING VOLTAGE: LESS THAN 2 MILLIAMPS CURRENT LEAKAGE@1500 VOLTS AC.
- 2.5 INSULATION RESISTANCE: 5000 MEGOHMS MIN.
- 2.6 IP--CLASS: IP67 AND IP69K IN THE MATED CONDITION.
- 2.7 MATING CYCLES DURABILITY: 500 CYCLES MIN.
- 2.8 RoHS COMPLIANT.

3. SUITABLE CONTACTS: 20# CONTACT.

4. ALL DIMENSIONS ARE FOR REFERENCE USE ONLY.

KEY	PART NUMBER
N	RTS716ND26S0332
W	RTS716WD26S0332
X	RTS716XD26S0332
Y	RTS716YD26S0332
Z	RTS716ZD26S0332

QUANTITY	PART NUMBER	DESCRIPTION	ITEM
MATERIALS LIST			
UNLESS OTHERWISE SPECIFIED		Amphenol Sine Systems - www.amphenol-sine.com 44724 Morley Drive Clinton Township, MI 48036	
1) All dimensions are in metric(mm).			
2) Tolerances are as follows:			
3) Note reference = X			
DRAWN: Ronald		DATE: Jul-29-2019	
CHECKED: Martin		DATE: Jul-29-2019	
APPROVAL: Tommy		DATE: Jul-29-2019	
MATERIAL SPECIFICATIONS:		CUSTOMER:	
PROCESS SPECIFICATIONS:		THIS DRAWING IS SUPPLIED FOR INFORMATION ONLY. DESIGN FEATURES, SPECIFICATIONS AND PERFORMANCE DATA SHOWN HEREIN ARE THE PROPERTY OF THE AMPHENOL CORPORATION. NO RIGHTS OF REPRODUCTION ARE IMPLIED. ALL DIMENSIONS ARE SUBJECT TO NORMAL MANUFACTURING VARIATIONS.	
NEXT ASS'Y:		SCALE: NONE	
		SHEET 1 OF 1	

ECOMATE REC. JAM NUT 26POS SOCKET CONTACT DIPSOLDER SIZE 18 V/G NO. RTS716*D26S0332 REV A1 SH 1 DF 1