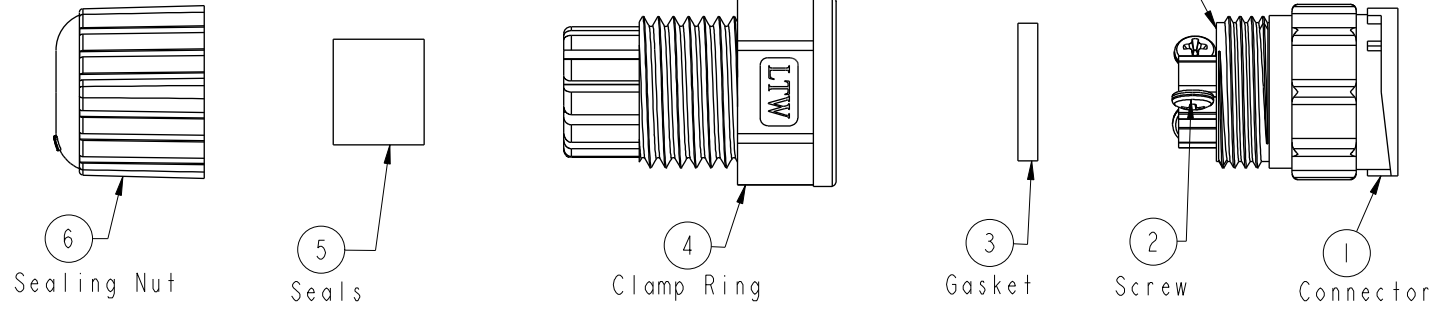
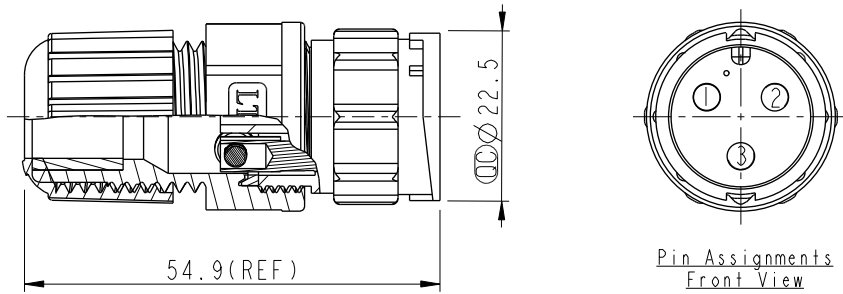


REV.	ECN NO.	DATE	SIGN	DESCRIPTION
B	LE3-960045	2009/06/22	Prune	Change The Note And 螺牙

ALTW
DCC. DEPT.
CONFIDENTIAL
2012-06-13
ISSUED



ALTW
CONFIDENTIAL
2012-05-04
R&D DEPT.



- Note:
- * \varnothing Important Dimension To Check.
 - * Waterproof Rate: IP67
 - * Housing: Nylon+GF
 - * Pin: Copper Alloy, Gold Plated
 - * Liquid Glue: Clear
 - * Screw: Stainless Steel
 - * Gasket: Black, Silicone
 - * Clamping Ring: Black, Nylon
 - * Seals: Black, EPDM
 - * Sealing Nut: Black, Nylon
 - PE Bag (9) * PE Bag: 90*85mm
 - * Seal For Cable OD: \varnothing 5.5mm~10.8mm
 - * One Set Unassembled In One PE Bag
 - \triangle * Application AWG: 14~16AWG

UNIT: mm		
TOLERANCE	.X ±0.25	
.XX ±0.1		
.XXX ±0.05		
ANGLES	±1°	

TITLE Large Assy Lock 3Pin M Conn M Pin			
SCALE 1:1	SIZE A4	SHEET 1 OF 1	
REV. B	WC-REV. A.2	\varnothing : Inspection item	

Amphenol LTW
安費諾亮泰企業股份有限公司

ITEM NO. DC-03BMMB-LL7001	DRAWN BY SamChang	DATE 2012-05-04
DWG NO. DC-03BMMB-LL7001	CHECKED BY Jeffrey	DATE 2012-06-13
CUSTOMER ALTW	APPROVED BY Lion	DATE 2012-06-13

THIS DOCUMENT IS SUBJECT TO CHANGE WITHOUT NOTICE. IT IS CONFIDENTIAL AND A PROPERTY OF AMPHENOL LTW. DISCLOSURE TO THIRD PARTY HAS TO BE AUTHORIZED BY AMPHENOL LTW.