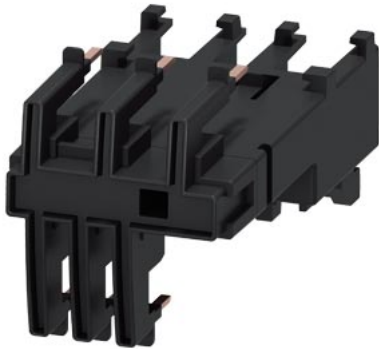


Link module Electrical and mechanical for 3RV2011 and 3RT201. Spring-type terminal



**General technical data**

product brand name	SIRIUS
product designation	link module
design of the product	actuating voltage contactor: AC and DC
size of the circuit-breaker	S00
size of contactor	S00

**Installation/ mounting/ dimensions**

fastening method	clip-on
------------------	---------

**Certificates/ approvals**

General Product Approval	Declaration of Conformity
--------------------------	---------------------------



[Miscellaneous](#)

[Miscellaneous](#)

[Miscellaneous](#)

Declaration of Conformity	Test Certificates	Shipping Approval
---------------------------	-------------------	-------------------



[Type Test Certificates/Test Report](#)

[Special Test Certificate](#)



Shipping Approval	other
-------------------	-------



[Confirmation](#)

**Further information**

Information- and Downloadcenter (Catalogs, Brochures,...)  
<https://www.siemens.com/ic10>  
 Industry Mall (Online ordering system)

<https://mall.industry.siemens.com/mall/en/en/Catalog/product?mfb=3RA2911-2AA00>

Cax online generator

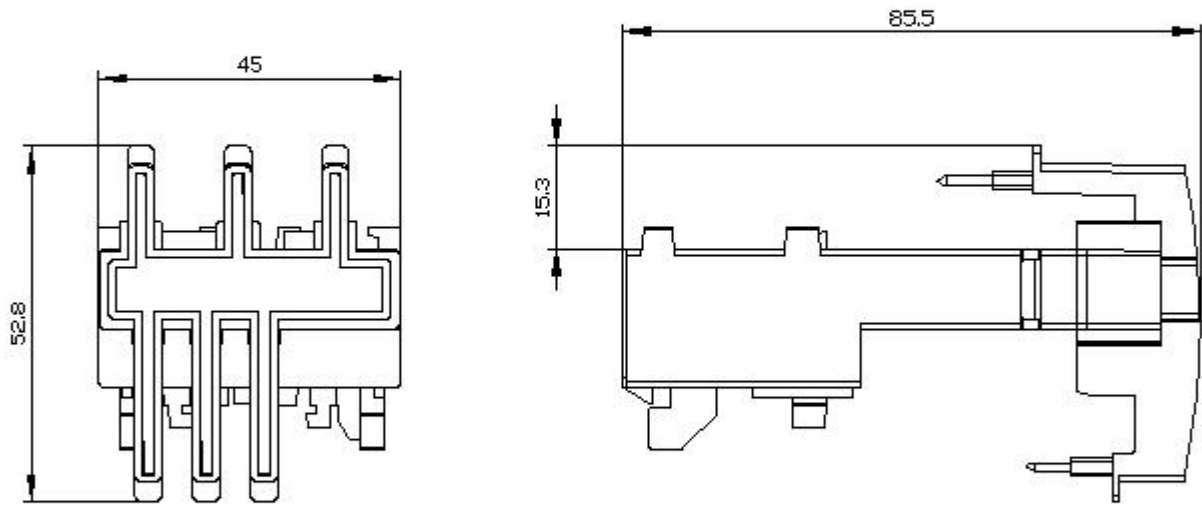
<http://support.automation.siemens.com/WW/CAXorder/default.aspx?lang=en&mfb=3RA2911-2AA00>

Service&Support (Manuals, Certificates, Characteristics, FAQs,...)

<https://support.industry.siemens.com/cs/ww/en/ps/3RA2911-2AA00>

Image database (product images, 2D dimension drawings, 3D models, device circuit diagrams, EPLAN macros, ...)

[http://www.automation.siemens.com/bilddb/cax\\_de.aspx?mfb=3RA2911-2AA00&lang=en](http://www.automation.siemens.com/bilddb/cax_de.aspx?mfb=3RA2911-2AA00&lang=en)



last modified:

5/15/2020 