

1 Schematic diagrams

Figure 1. X-NUCLEO-USBPDM1 circuit schematic (1 of 2)

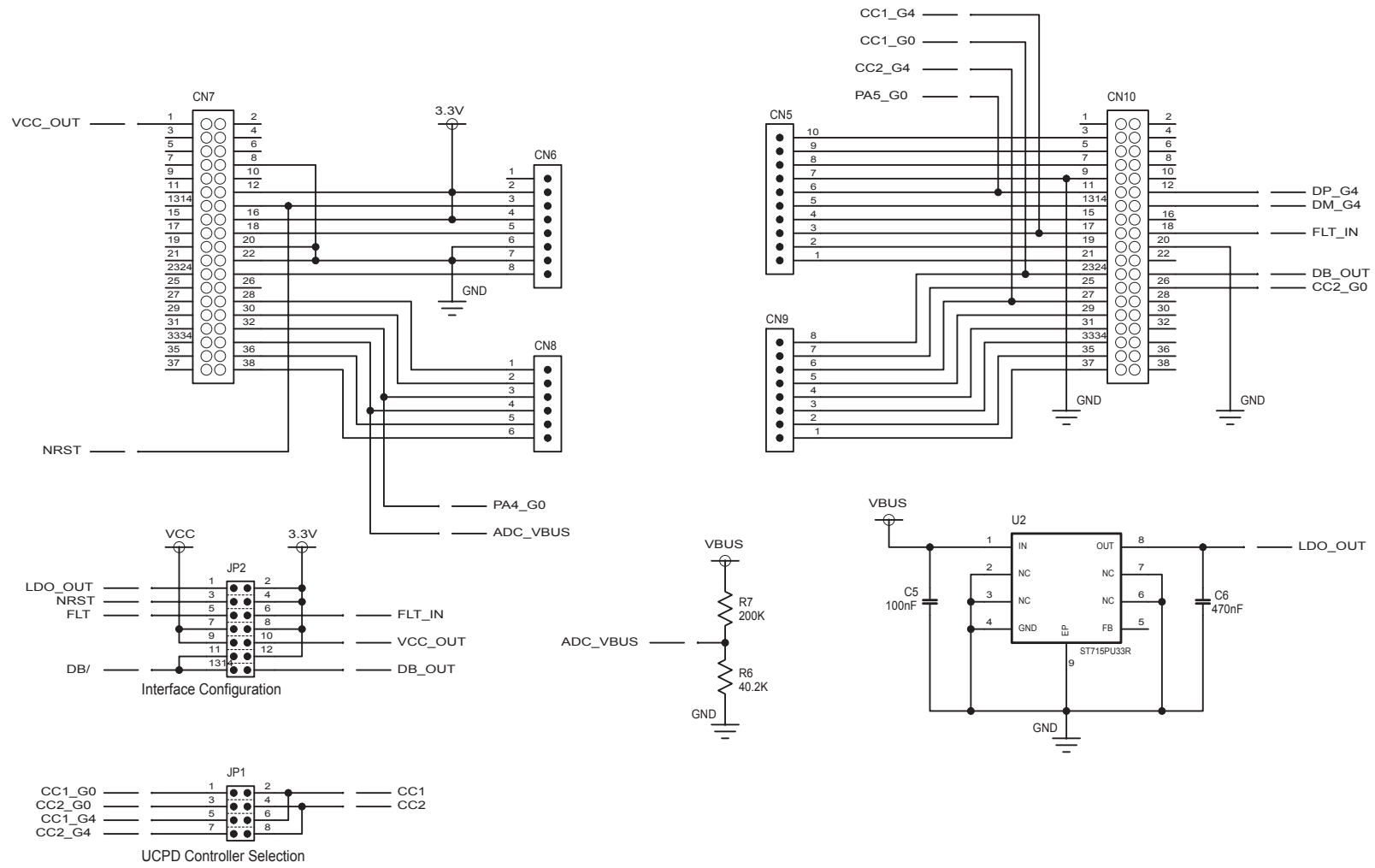
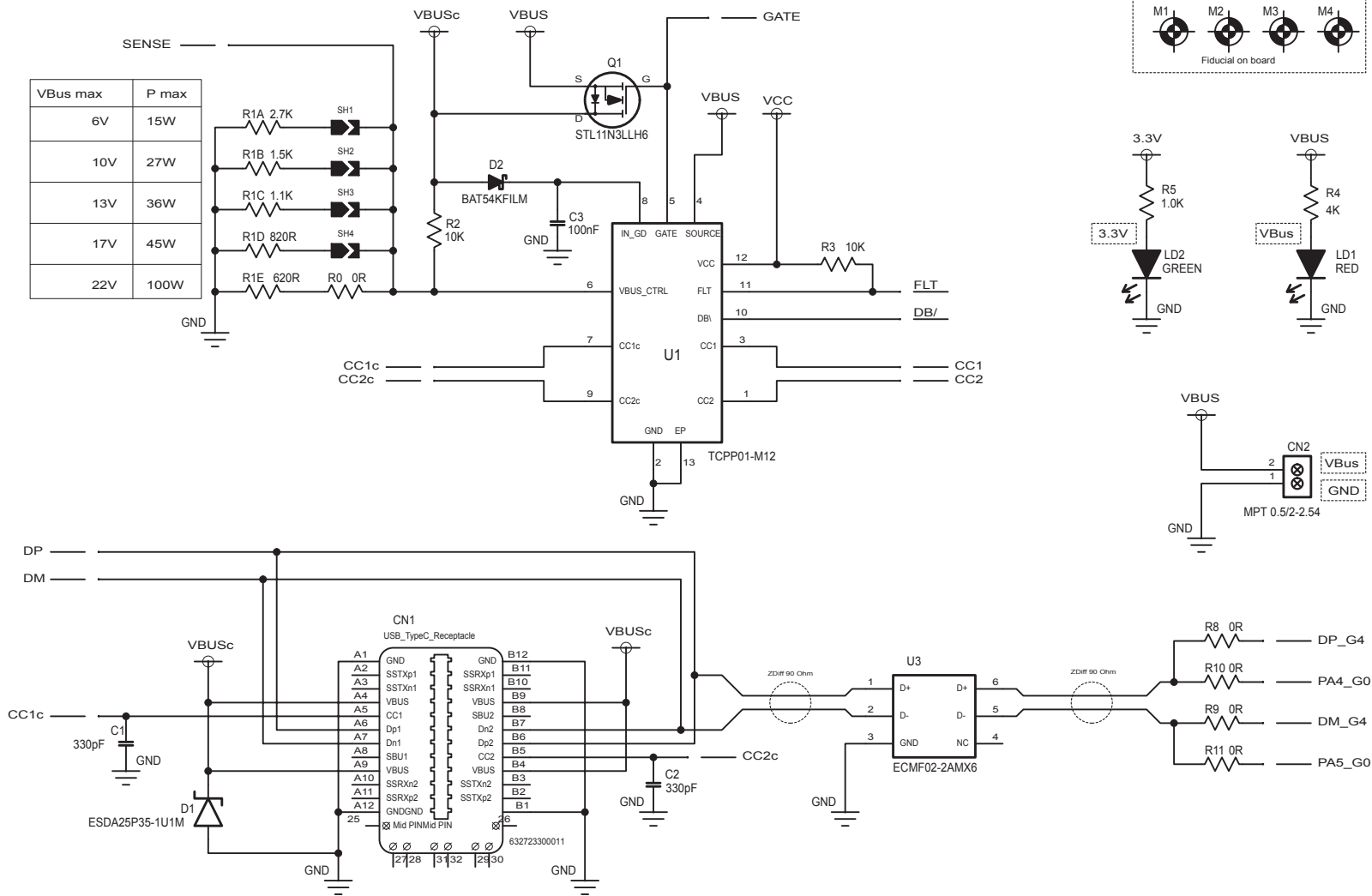


Figure 2. X-NUCLEO-USBPDM1 circuit schematic (2 of 2)



Revision history

Table 1. Document revision history

Date	Version	Changes
06-Dec-2019	1	Initial release.
14-May-2020	2	Updated cover page product summary table, features and description.
06-Apr-2021	3	Replaced X-CUBE-USBPDM1 with X-CUBE-TCPP.
12-Jan-2022	4	Updated cover page description.
07-Feb-2022	5	Updated cover page description.

IMPORTANT NOTICE – PLEASE READ CAREFULLY

STMicroelectronics NV and its subsidiaries (“ST”) reserve the right to make changes, corrections, enhancements, modifications, and improvements to ST products and/or to this document at any time without notice. Purchasers should obtain the latest relevant information on ST products before placing orders. ST products are sold pursuant to ST’s terms and conditions of sale in place at the time of order acknowledgement.

Purchasers are solely responsible for the choice, selection, and use of ST products and ST assumes no liability for application assistance or the design of Purchasers’ products.

No license, express or implied, to any intellectual property right is granted by ST herein.

Resale of ST products with provisions different from the information set forth herein shall void any warranty granted by ST for such product.

ST and the ST logo are trademarks of ST. For additional information about ST trademarks, please refer to www.st.com/trademarks. All other product or service names are the property of their respective owners.

Information in this document supersedes and replaces information previously supplied in any prior versions of this document.

© 2022 STMicroelectronics – All rights reserved