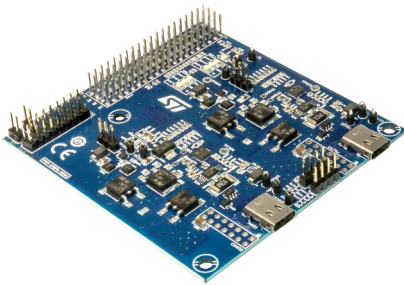


## USB Type-C™ and Power Delivery dual port interface board with automotive-grade STUSB1702Y USB Type-C controller



### Features

- Both ports acting as Provider role
- Type-C attach and cable orientation detection
- High voltage protections on VBUS and CC lines
- VBUS switch gate drivers
- VBUS monitoring and discharge path
- A current sensing circuit for each port on VBUS line
- Power connector to interface with external power boards (not included)
- Total board dimensions: 85 mm x 81 mm
- RoHS compliant

### Description

The **AEK-USB-2TYPEC1** automotive grade USB Type-C and Power Delivery dual port expansion board is part of the ST AutoDevKit development initiative. It embeds two **STUSB1702Y** USB Type-C™ port controllers for a two-port Provider solution.

Each **STUSB1702Y** USB Type-C port controller includes a fully-featured USB type-C state machine for attach/detach and cable orientation detection, a USB PD PHY and BMC transceiver, high voltage (20 V) technology VBUS voltage monitoring, 600 mA VCONN power switch, VBUS and VCONN discharge paths, 22 V CC line protection, VBUS switch gate drivers and data role configuration (not used in this case).

The two USB Type-C ports have USB 2.0 data lines that are accessible through on-board connectors J101 and J102. The same connectors may be used to redirect the data from one of the two USB 2.0 ports to the 4x20 pass-through connector.

The board also has a power status LED and three status LEDs to signal what each Type-C port is advertising: power role, VBUS negotiation status and CC line orientation (direct or flipped). Two alternate function connectors (not mounted) are available for extension or future developments.

The **AEK-USB-2TYPEC1** board is designed to be connected to a SPC58 Chorus 4 MB flash discovery board (**SPC58EC-DISP**) equipped with a 32-bit Power Architecture® microcontroller for automotive ASIL-B applications. The **AEKD-USBTYPEC1** kit consists of two boards and a USB-PD firmware package, so you can develop application based on the USB-PD Provider role.

The **AEK-USB-2TYPEC1** embeds a connector for an external power board, which would allow the system to deliver output voltage profiles up to 20 V and satisfy various power requests according to the USB Power Delivery specification.

Product summary	
dual-port USB Type-C function board	<b>AEK-USB-2TYPEC1</b>
evaluation kit with dual-port USB Type-C function board and SPC58 Chorus discovery board	<b>AEKD-USBTYPEC1</b>
automotive grade USB Type-C controller (with Tx/Rx line driver and BMC)	<b>STUSB1702Y</b>
firmware package for the AEKD-USBTYPEC1 kit	<b>STSW-USB2TYPEC1</b>

# 1 AEK-USB-2TYPEC1 schematics

Figure 2. AEK-USB-2TYPEC1 board schematic 1 - block diagram

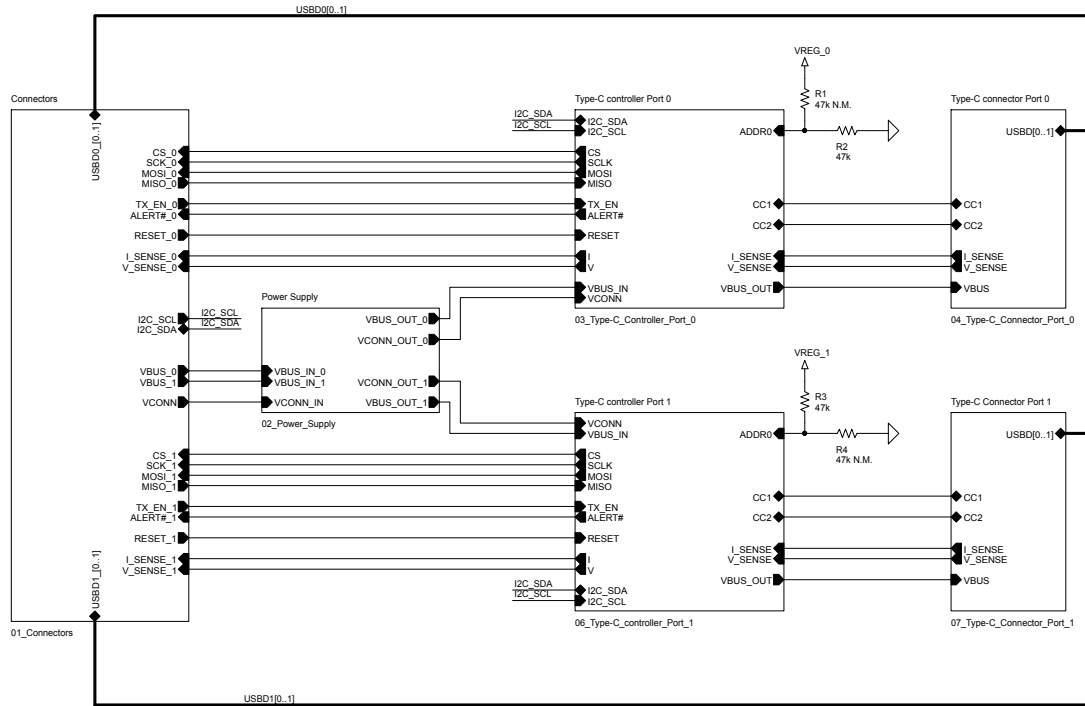
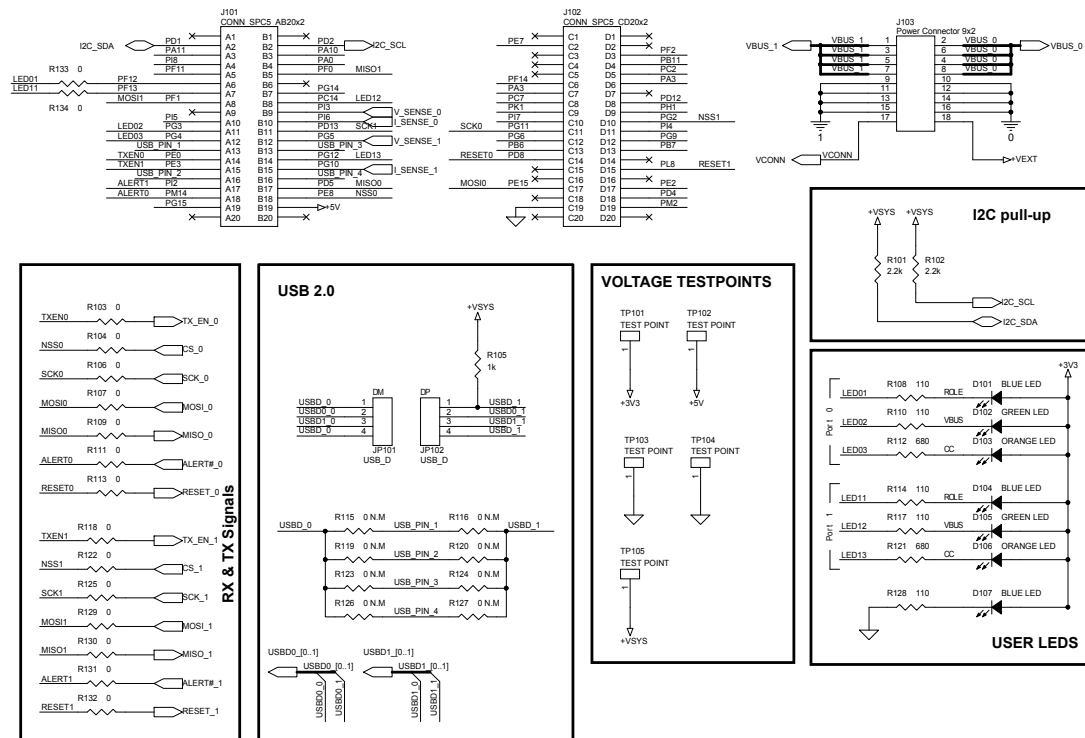
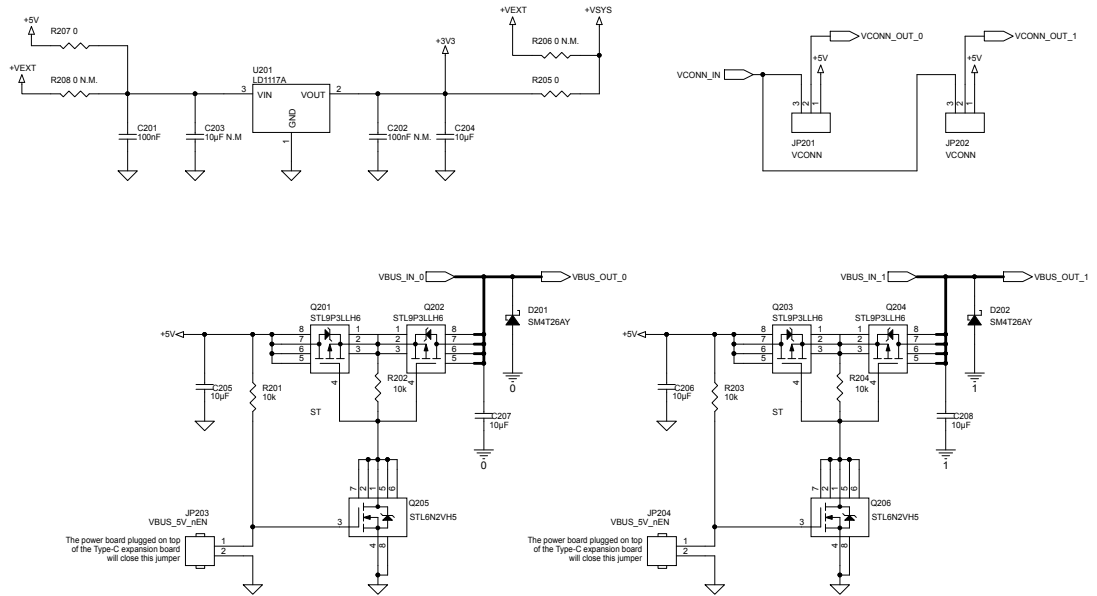


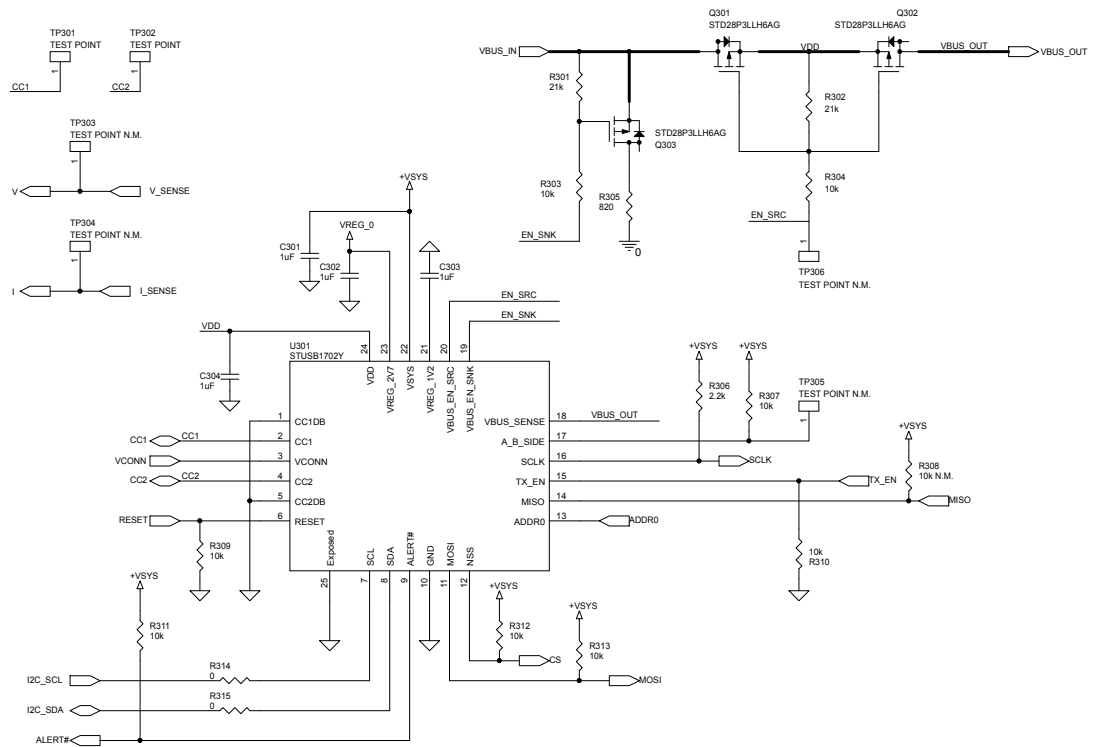
Figure 3. AEK-USB-2TYPEC1 board schematic 2 - connectors



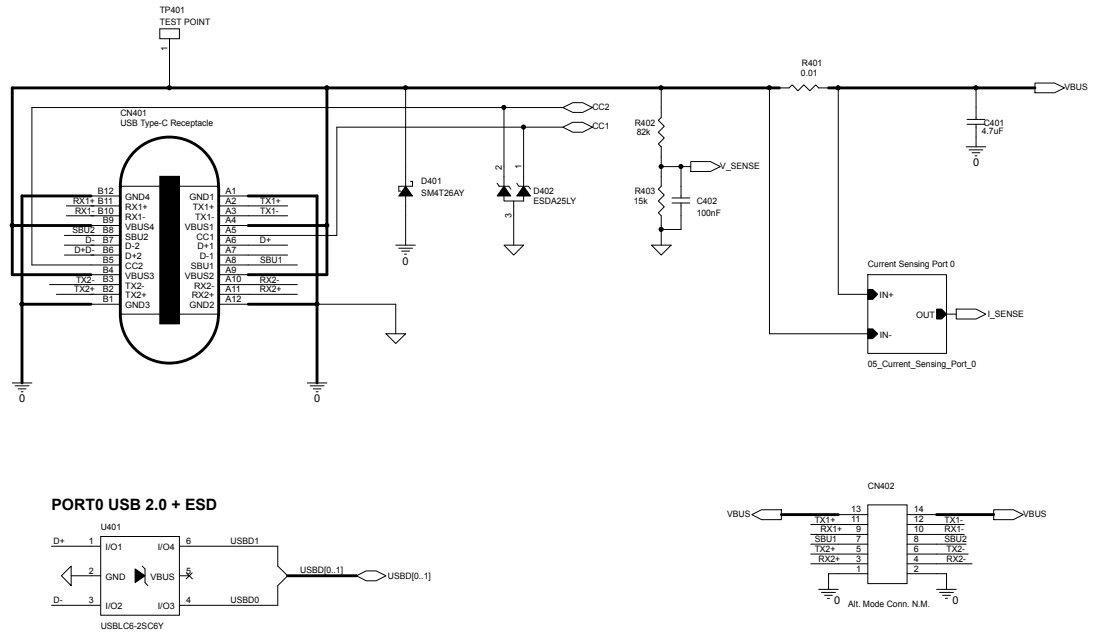
**Figure 4. AEK-USB-2TYPEC1 board schematic 3 - power supply**



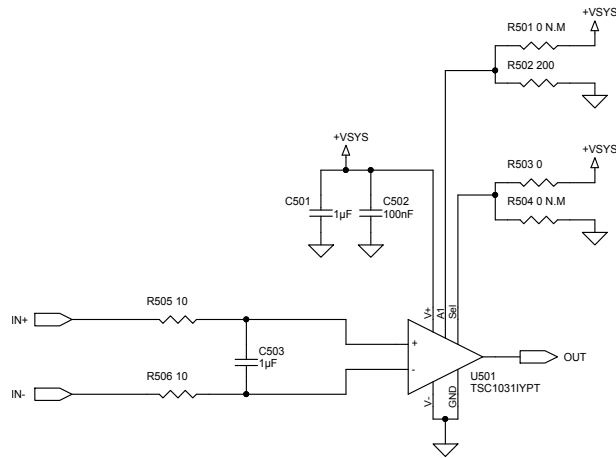
**Figure 5. AEK-USB-2TYPEC1 board schematic 4 - Type-C control port 0**



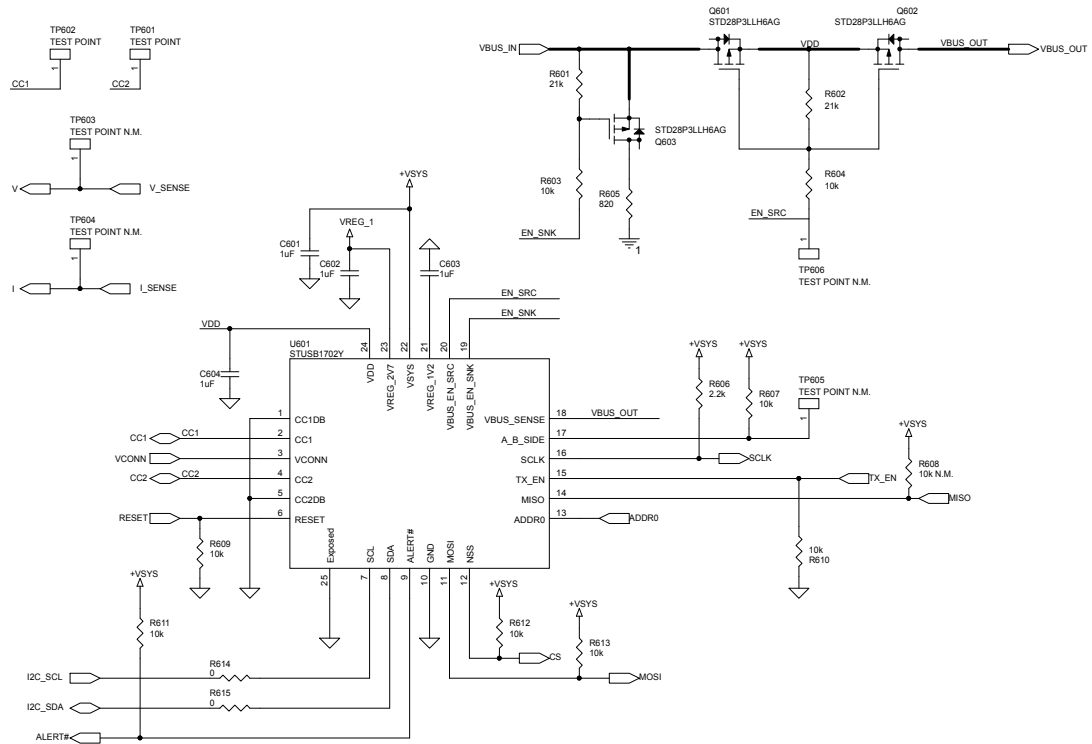
**Figure 6. AEK-USB-2TYPEC1 board schematic 5 - Type-C connector port 0**



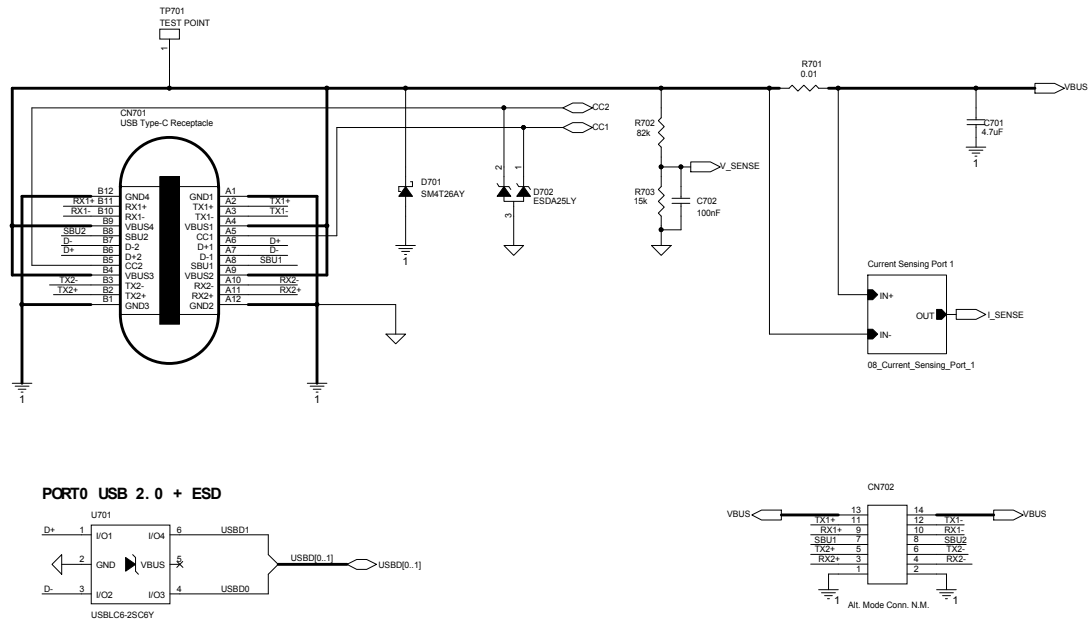
**Figure 7. AEK-USB-2TYPEC1 board schematic 6 - current sensor port 0**



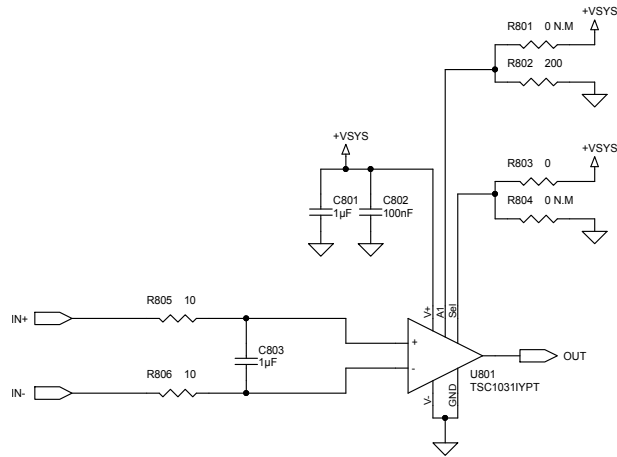
**Figure 8. AEK-USB-2TYPEC1 board schematic 7 - Type-C control port 1**



**Figure 9. AEK-USB-2TYPEC1 board schematic 8 - Type-C connector port 1**



**Figure 10. AEK-USB-2TYPEC1 board schematic 9 - current sensor port 1**



## Revision history

**Table 1. Document revision history**

Date	Version	Changes
06-Sep-2018	1	Initial release.

**IMPORTANT NOTICE – PLEASE READ CAREFULLY**

STMicroelectronics NV and its subsidiaries (“ST”) reserve the right to make changes, corrections, enhancements, modifications, and improvements to ST products and/or to this document at any time without notice. Purchasers should obtain the latest relevant information on ST products before placing orders. ST products are sold pursuant to ST’s terms and conditions of sale in place at the time of order acknowledgement.

Purchasers are solely responsible for the choice, selection, and use of ST products and ST assumes no liability for application assistance or the design of Purchasers’ products.

No license, express or implied, to any intellectual property right is granted by ST herein.

Resale of ST products with provisions different from the information set forth herein shall void any warranty granted by ST for such product.

ST and the ST logo are trademarks of ST. All other product or service names are the property of their respective owners.

Information in this document supersedes and replaces information previously supplied in any prior versions of this document.

© 2018 STMicroelectronics – All rights reserved