



Pivoting lever drive (Please order lever separately) for position switch 3SE51/3SF11, for 40/56/56XL mm, Switch points according to EN 50041. The switching direction the lever is on left / right or left only or only to the right. Delivery state ist right / left.

product brand name	SIRIUS
product designation	Part-turn actuator for position switch 3SE51/3SF11
product type designation	3SE5
manufacturer's article number	
• of the supplied actuator head for position switches	3SE5000-0AH00

General technical data

shock resistance	
• acc. to IEC 60068-2-27	30g / 11 ms
vibration resistance	
• acc. to IEC 60068-2-6	0.35 mm/5g
material of the enclosure of the switch head	plastic
reference code acc. to IEC 81346-2	T
active principle	mechanical
minimum actuating torque in directions of actuation	0.25 N·m
design of the interface for safety-related communication	without

Enclosure

coating of the enclosure	Other types
---------------------------------	-------------

Drive Head

design of the actuating element	Twist actuator, without lever or rod
standard-compliant actuator head	EN 50041

Communication/ Protocol

design of the interface	without
--------------------------------	---------

Ambient conditions

explosion protection category for dust	none
---	------

Installation/ mounting/ dimensions

mounting position	any
fastening method	lockable plug-in fixing

Certificates/ approvals

General Product Approval	Declaration of Conformity
---------------------------------	----------------------------------



[Miscellaneous](#)



Test Certificates	other
--------------------------	--------------

Further information

Information- and Downloadcenter (Catalogs, Brochures,...)

<https://www.siemens.com/ic10>

Industry Mall (Online ordering system)

<https://mall.industry.siemens.com/mall/en/en/Catalog/product?mlfb=3SE5000-0AH00>

Cax online generator

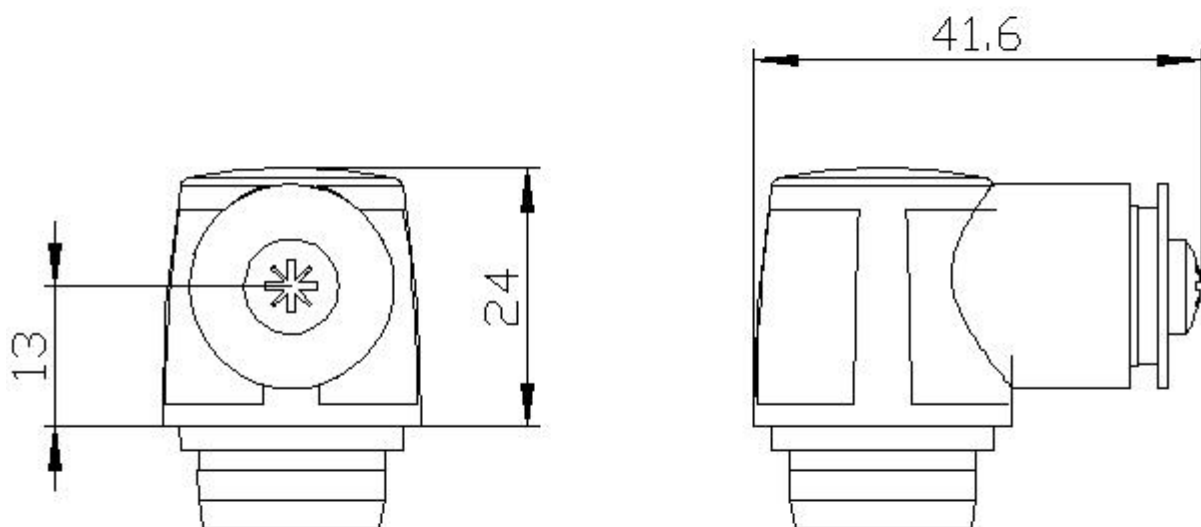
<http://support.automation.siemens.com/WW/CAXorder/default.aspx?lang=en&mlfb=3SE5000-0AH00>

Service&Support (Manuals, Certificates, Characteristics, FAQs,...)

<https://support.industry.siemens.com/cs/ww/en/ps/3SE5000-0AH00>

Image database (product images, 2D dimension drawings, 3D models, device circuit diagrams, EPLAN macros, ...)

http://www.automation.siemens.com/bilddb/cax_de.aspx?mlfb=3SE5000-0AH00&lang=en



last modified:

11/20/2020