



LED module with integrated LED 24 V AC/DC, yellow, screw terminal, for front plate mounting, Minimum order quantity 5 or a multiple thereof

| | |
|---|----------------------------------|
| product brand name | SIRIUS ACT |
| product designation | LED module |
| product type designation | 3SU1 |
| General technical data | |
| product component | |
| • diode | Yes |
| • lamp transformer | No |
| • light source | Yes |
| • series resistor | No |
| insulation voltage rated value | 320 V |
| degree of pollution | 3 |
| type of voltage of the operating voltage | AC/DC |
| • for actuation | AC/DC |
| surge voltage resistance rated value | 4 kV |
| consumed current maximum | 25 mA |
| protection class IP | |
| • of the enclosure | IP40 |
| • of the terminal | IP20 |
| shock resistance | |
| • acc. to IEC 60068-2-27 | Sinusoidal half-wave 50g / 11 ms |
| • for railway applications acc. to DIN EN 61373 | Category 1, Class B |
| vibration resistance | |
| • acc. to IEC 60068-2-6 | 10 ... 500 Hz: 5g |
| • for railway applications acc. to DIN EN 61373 | Category 1, Class B |
| operating period typical | 100 000 h |
| reference code acc. to IEC 81346-2 | P |
| operating voltage 1 | |
| • at AC | |
| — at 50 Hz rated value | 24 V |
| — at 60 Hz rated value | 24 V |
| • at DC rated value | 24 V |
| relative positive tolerance of the operating voltage | 20 % |
| relative negative tolerance of the operating voltage | 20 % |
| Control circuit/ Control | |
| inrush current maximum | 2 A |
| Connections/ Terminals | |
| type of electrical connection | screw-type terminals |

| | |
|---|------------------------------------|
| type of connectable conductor cross-sections | |
| • solid with core end processing | 2x (0.5 ... 0.75 mm ²) |
| • solid without core end processing | 2x (1.0 ... 1.5 mm ²) |
| • finely stranded with core end processing | 2x (0.5 ... 1.5 mm ²) |
| • finely stranded without core end processing | 2x (1,0 ... 1,5 mm ²) |
| • at AWG cables | 2x (18 ... 14) |
| • tightening torque with screw-type terminals | 0.8 ... 0.9 N·m |

| | |
|-----------------------------------|-------------------|
| Lamp | |
| type of light source | LED |
| color of the light source | yellow |
| light intensity | 900 ... 1 400 mcd |
| certificate of suitability | |
| • ATEX | No |
| • IECEX | No |

| | |
|---|---|
| Ambient conditions | |
| • ambient temperature during operation | -25 ... +70 °C |
| • ambient temperature during storage | -40 ... +80 °C |
| environmental category during operation acc. to IEC 60721 | 3M6, 3S2, 3B2, 3C3, 3K6 (with relative air humidity of 10 ... 95 %, no condensation in operation permitted) |

| | |
|---|----------------------|
| Installation/ mounting/ dimensions | |
| fastening method | |
| • of modules and accessories | Front plate mounting |
| height | 33.2 mm |
| width | 9.8 mm |
| depth | 29.4 mm |

| | | |
|---------------------------------|------------|----------------------------------|
| Certificates/ approvals | | |
| General Product Approval | EMC | Declaration of Conformity |



[Miscellaneous](#)

| | | |
|----------------------------------|--------------------------|--------------------------|
| Declaration of Conformity | Test Certificates | Marine / Shipping |
|----------------------------------|--------------------------|--------------------------|



[Special Test Certificate](#)

[Type Test Certificates/Test Report](#)



| | |
|--------------------------|--------------|
| Marine / Shipping | other |
|--------------------------|--------------|



[Confirmation](#)

Further information

Information- and Downloadcenter (Catalogs, Brochures,...)

<https://www.siemens.com/ic10>

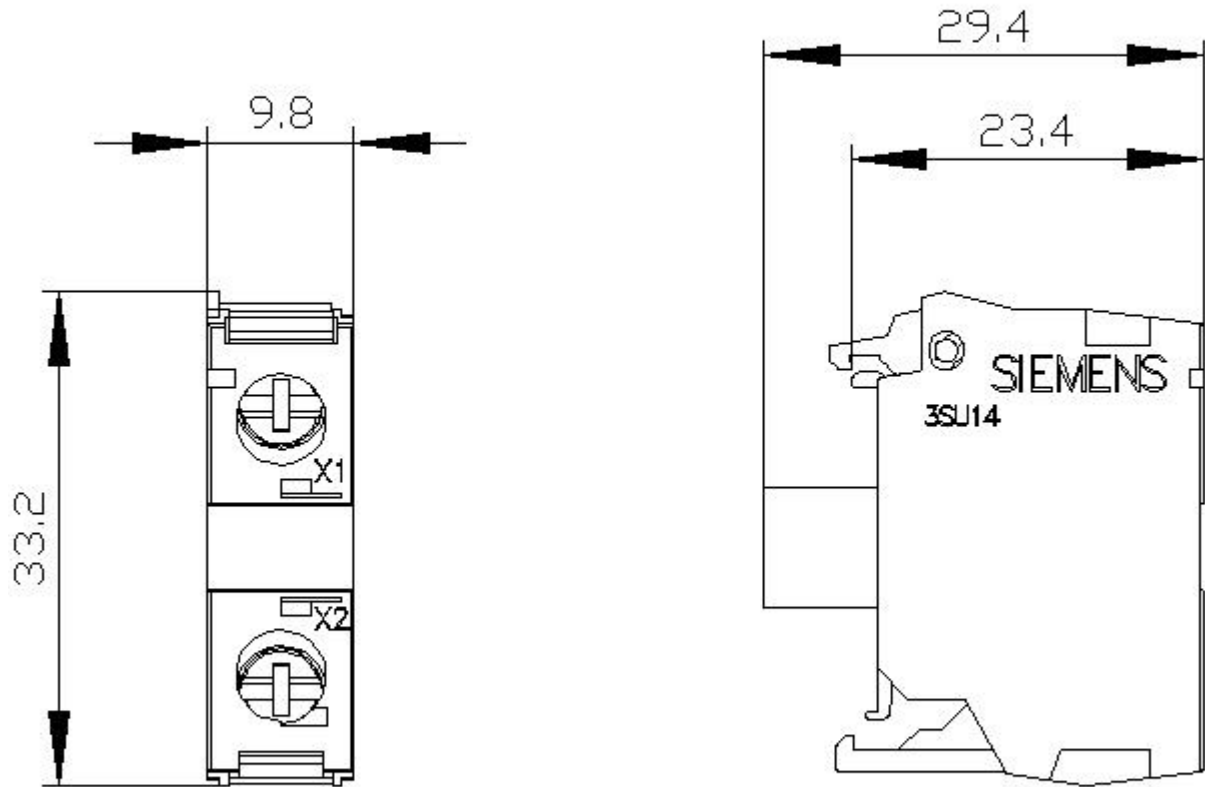
Industry Mall (Online ordering system)

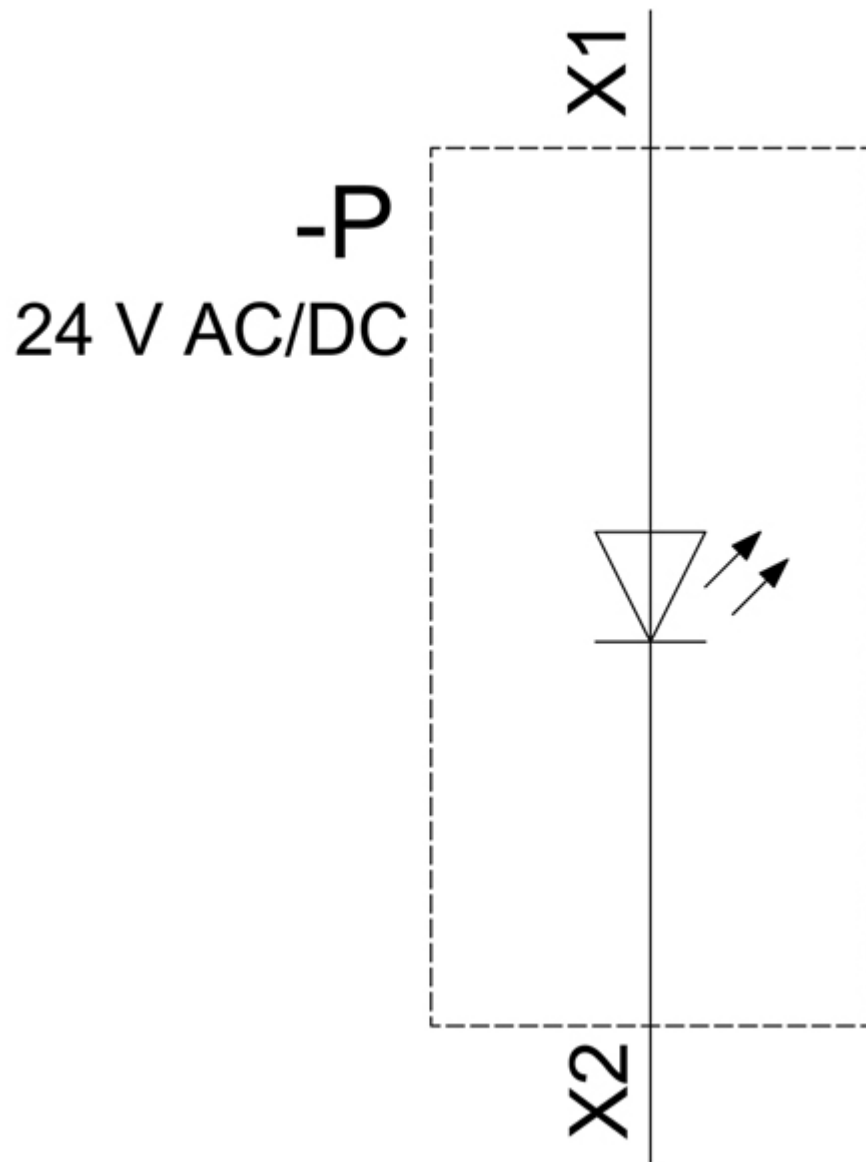
<https://mall.industry.siemens.com/mall/en/en/Catalog/product?mlfb=3SU1401-1BB30-1AA0>

Cax online generator

<http://support.automation.siemens.com/WW/CAXorder/default.aspx?lang=en&mlfb=3SU1401-1BB30-1AA0>

Service&Support (Manuals, Certificates, Characteristics, FAQs,...)





last modified:

12/18/2020 