

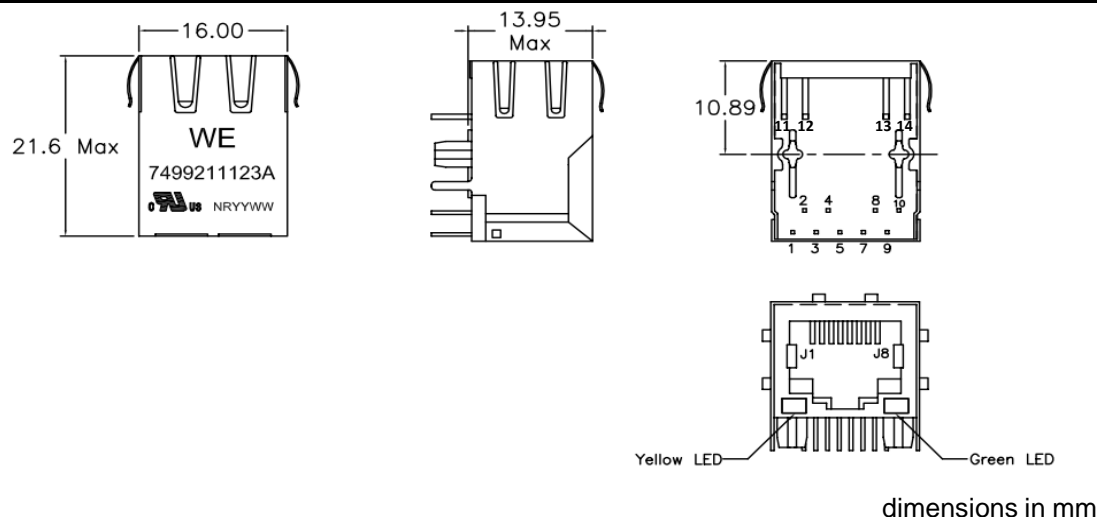
# Spezifikation für Freigabe / specification for release

Kunde / customer :  
 Artikelnummer / part number : **7499211123A**  
 Bezeichnung : **LAN-Übertrager WE-RJ45LAN 10/100BaseT PoE**  
 description : **LAN-Transformer WE-RJ45LAN 10/100BaseT PoE**

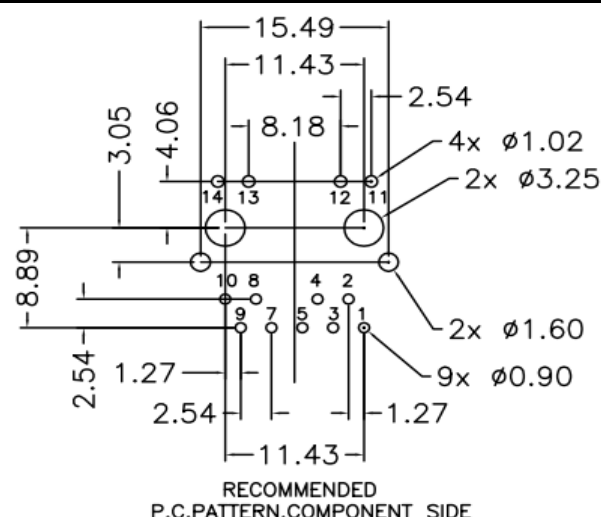


DATUM / DATE : 2020-08-11

## A Mechanische Abmessungen / dimensions :



## B Lötbad / soldering spec. :



## C Elektrische Eigenschaften / electrical properties :

Eigenschaften / properties	Testbedingungen / test conditions		Wert / value	Einheit / unit	tol.
Induktivität / Inductance	100kHz / 100mV @ 8mA DC-Bias	OCL	350	µH	min.
Übersetzungsverhältnis / Turns ratio	100kHz / 100mV	TR	1 : 1	Tx	3%
			1 : 1	Rx	
Insertion Loss	1-100MHz	IL	-1,3	dB	max.
Return Loss	1-10MHz @ 100Ω	RL	-20	dB	min.
	10-30MHz @ 100Ω		-16		
	30-60MHz @ 100Ω		-12		
	60-80MHz @ 100Ω		-10		
Common Mode Rejection	1-500MHz	CMR	-25	dB	min.
Crosstalk	1-30MHz	CT	-40	dB	min.
	30-60MHz		-35		
	60-100MHz		-30		

## D Prüfgeräte / test equipment :

HP4395A

## E Testbedingungen / test conditions :

Luftfeuchtigkeit / humidity: 33%  
 Umgebungstemperatur / temperature: +25°C

## F Werkstoffe & Zulassungen / material & approvals :

Basismaterial / base material: Ferrit/ ferrite  
 Draht / wire: 4UEW 180°C  
 Kontaktmaterial/ contact plating: 100% tin w. nickel underplating  
 30µ"gold plating on contact area  
 Gehäuse / housing: Thermoplastic UL-94V0  
 LED: 1,8-2,8 V/ 20mA  
 Shield: 50µ" nickel over 0.01" cooper alloy  
 Güteklasse / Quality Class: 750 Steckzyklen/750 mating cycles

## G Eigenschaften / general specifications :

Betriebstemp. / operating temperature: 0°C - +70°C  
 Hochspannungsprüfung / Hipot test: 1500Vrms 1min.  
 Geeignet für 10/100Base-TX gemäß IEEE 802.3af (350 mA) /  
 Compliant with IEEE 802.3af (350mA) for 10/100Base-TX applications  
 Auto MDIX fähig / Auto MDIX capable  
 UL File: E472316

Datum / date	Unterschrift / signature																						
	<b>Würth Elektronik</b>																						
Geprüft / checked	Kontrolliert / approved																						
		<table border="1" style="width: 100%;"> <tr> <td>JuHa</td> <td>Revision 05</td> <td>2020-08-11</td> </tr> <tr> <td>Mle</td> <td>Revision 04</td> <td>2016-07-05</td> </tr> <tr> <td>Mle</td> <td>Revision 03</td> <td>2012-10-11</td> </tr> <tr> <td>Mle</td> <td>Revision 02</td> <td>2012-09-04</td> </tr> <tr> <td>Mle</td> <td>Revision 01</td> <td>2012-06-05</td> </tr> <tr> <td>Mle</td> <td>Revision 00</td> <td>2011-12-12</td> </tr> <tr> <td>Name</td> <td>Änderung / modification</td> <td>Datum / date</td> </tr> </table>	JuHa	Revision 05	2020-08-11	Mle	Revision 04	2016-07-05	Mle	Revision 03	2012-10-11	Mle	Revision 02	2012-09-04	Mle	Revision 01	2012-06-05	Mle	Revision 00	2011-12-12	Name	Änderung / modification	Datum / date
JuHa	Revision 05	2020-08-11																					
Mle	Revision 04	2016-07-05																					
Mle	Revision 03	2012-10-11																					
Mle	Revision 02	2012-09-04																					
Mle	Revision 01	2012-06-05																					
Mle	Revision 00	2011-12-12																					
Name	Änderung / modification	Datum / date																					

### Würth Elektronik eiSos GmbH & Co.KG

D-74638 Waldenburg · Max-Eyth-Straße 1 - 3 · Germany · Telefon (+49) (0) 7942 - 945 - 0 · Telefax (+49) (0) 7942 - 945 - 400  
<http://www.we-online.com>

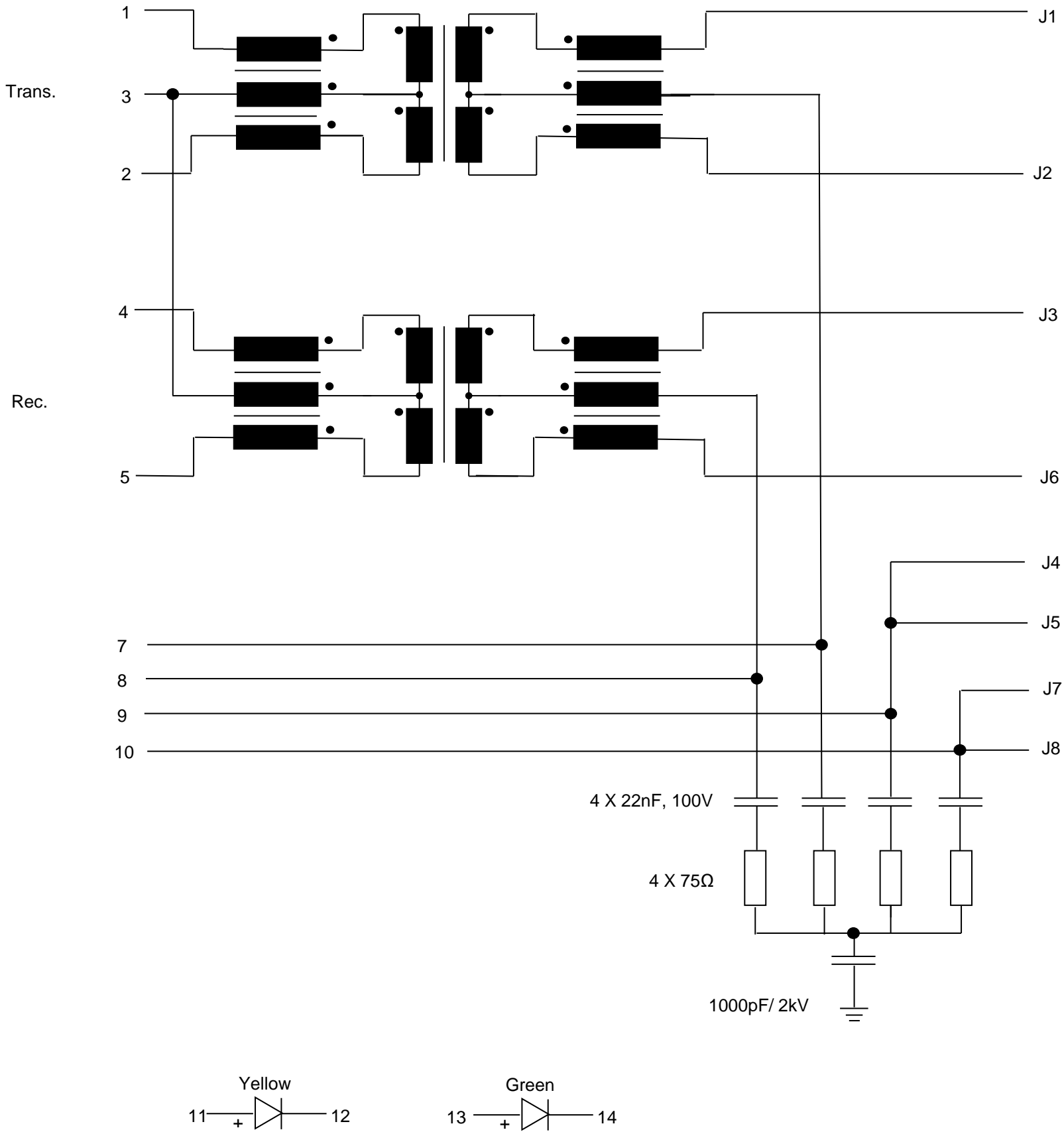
# Spezifikation für Freigabe / specification for release

Kunde / customer :  
 Artikelnummer / part number : **7499211123A**  
 Bezeichnung : **LAN-Übertrager WE-RJ45LAN 10/100BaseT PoE**  
 description : **LAN-Transformer WE-RJ45LAN 10/100BaseT PoE**



DATUM / DATE : 2020-08-11

## H Schaltbild / Schematics :



Freigabe erteilt / general release:	<b>Kunde / customer</b>		
.....	.....	JuHa	Revision 05 2020-08-11
Datum / date	Unterschrift / signature	Mle	Revision 04 2016-07-05
.....	<b>Würth Elektronik</b>	Mle	Revision 03 2012-10-11
.....	.....	Mle	Revision 02 2012-09-04
Geprüft / checked	Kontrolliert / approved	Mle	Revision 01 2012-06-05
.....	.....	Mle	Revision 00 2011-12-12
		Name	Änderung / modification Datum / date

### Würth Elektronik eiSos GmbH & Co.KG

D-74638 Waldenburg · Max-Eyth-Straße 1 - 3 · Germany · Telefon (+49) (0) 7942 - 945 - 0 · Telefax (+49) (0) 7942 - 945 - 400  
<http://www.we-online.com>

# Spezifikation für Freigabe / specification for release

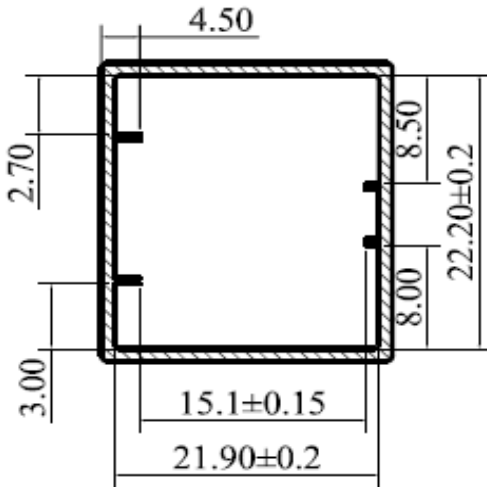
Kunde / customer :  
 Artikelnummer / part number : **7499211123A**  
 Bezeichnung : **LAN-Übertrager WE-RJ45LAN 10/100BaseT PoE**  
 description : **LAN-Transformer WE-RJ45LAN 10/100BaseT PoE**



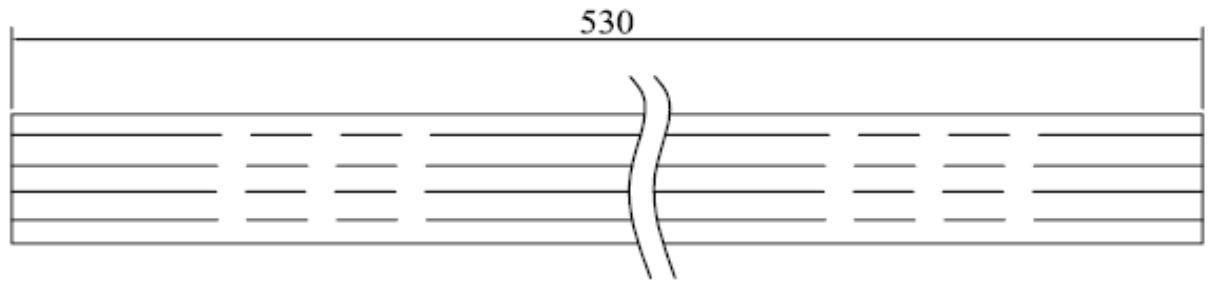
DATUM / DATE : 2020-08-11

## I Rollenspezifikation / tape and reel specification :

### Tube

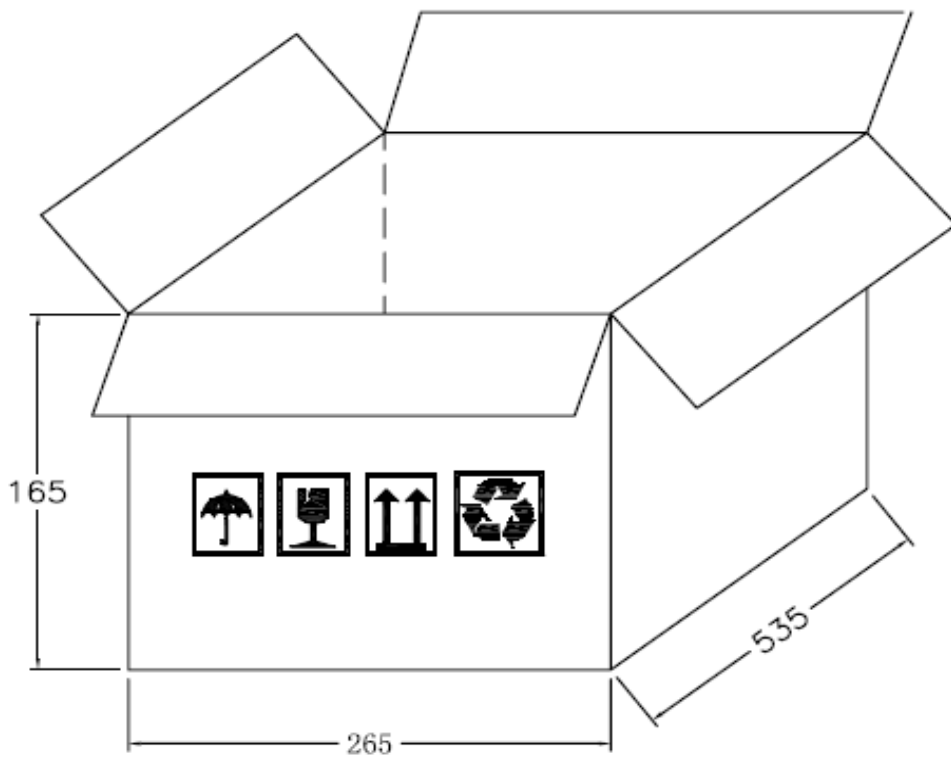


Profile view



Top view

### Carton



### Package Quantity:

tube= 29pcs  
 carton= 1740pcs

### dimensions in mm

Freigabe erteilt / general release:	<b>Kunde / customer</b>		
Datum / date	Unterschrift / signature	JuHa	Revision 05 2020-08-11
		Mle	Revision 04 2016-07-05
Geprüft / checked	<b>Würth Elektronik</b>	Mle	Revision 03 2012-10-11
		Mle	Revision 02 2012-09-04
		Mle	Revision 01 2012-06-05
		Mle	Revision 00 2011-12-12
	Kontrolliert / approved	Name	Änderung / modification Datum / date

This electronic component has been designed and developed for usage in general electronic equipment. Before incorporating this component into any equipment where higher safety and reliability is especially required or if there is the possibility of direct damage or injury to human body, for example in the range of aerospace, aviation, nuclear control, submarine, transportation, (automotive control, train control, ship control), transportation signal, disaster prevention, medical, public information network etc, Würth Elektronik eiSos GmbH must be informed before the design-in stage. In addition, sufficient reliability evaluation checks for safety must be performed on every electronic component which is used in electrical circuits that require high safety and reliability functions or performance.

## Würth Elektronik eiSos GmbH & Co.KG

D-74638 Waldenburg · Max-Eyth-Straße 1 - 3 · Germany · Telefon (+49) (0) 7942 - 945 - 0 · Telefax (+49) (0) 7942 - 945 - 400  
<http://www.we-online.com>