



Surge suppressor, Interference suppression diode 12 ... 250 V DC, for contactor relays and motor contactors Size S00

General technical data		
product brand name		SIRIUS
product designation		surge suppressor
size of contactor		S00
design of the surge suppressor		with diode
ambient temperature		
• during storage	°C	-40 ... +80
• during operation	°C	-25 ... +60
Control circuit/ Control		
type of voltage of the control supply voltage		DC
control supply voltage 1		
• at DC	V	12 ... 250
Installation/ mounting/ dimensions		
mounting position		any
fastening method		clip-on
width	mm	28
height	mm	46
depth	mm	9
Certificates/ approvals		
certificate of suitability		CE / UL / CSA / CCC
General Product Approval	EMC	Declaration of Conformity



[Miscellaneous](#)

Declaration of Conformity	Test Certificates	Shipping Approval
---------------------------	-------------------	-------------------



[Type Test Certificates/Test Report](#)

[Special Test Certificate](#)



Shipping Approval

other

Railway



[Confirmation](#)



[Vibration and Shock](#)

#### Further information

Information- and Downloadcenter (Catalogs, Brochures,...)

<https://www.siemens.com/ic10>

Industry Mall (Online ordering system)

<https://mall.industry.siemens.com/mall/en/en/Catalog/product?mlfb=3RT2916-1DG00>

Cax online generator

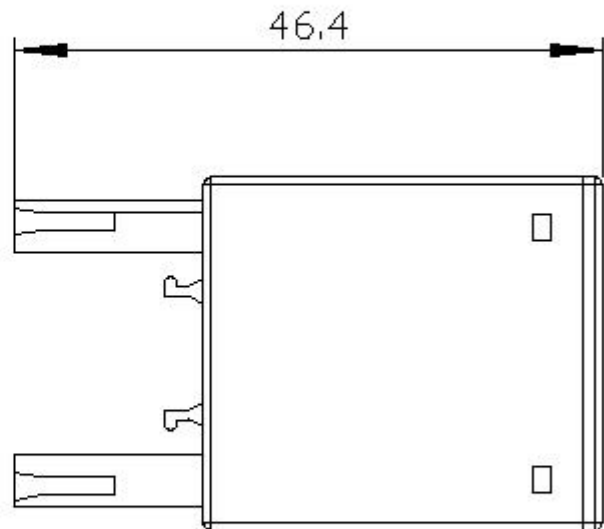
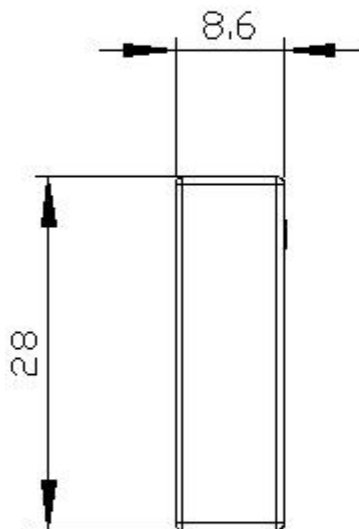
<http://support.automation.siemens.com/WW/CAXorder/default.aspx?lang=en&mlfb=3RT2916-1DG00>

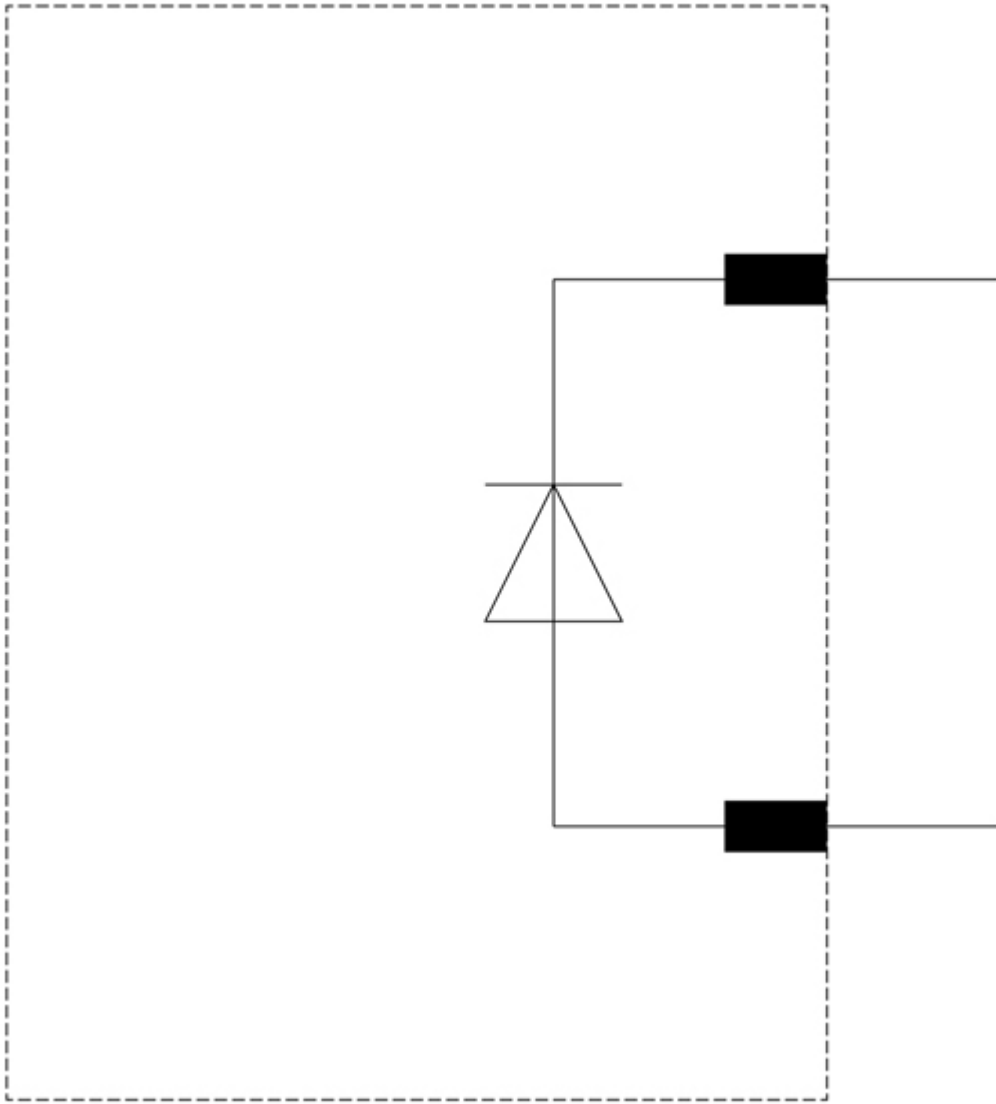
Service&Support (Manuals, Certificates, Characteristics, FAQs,...)

<https://support.industry.siemens.com/cs/ww/en/ps/3RT2916-1DG00>

Image database (product images, 2D dimension drawings, 3D models, device circuit diagrams, EPLAN macros, ...)

[http://www.automation.siemens.com/bilddb/cax\\_de.aspx?mlfb=3RT2916-1DG00&lang=en](http://www.automation.siemens.com/bilddb/cax_de.aspx?mlfb=3RT2916-1DG00&lang=en)





last modified:

5/15/2020 