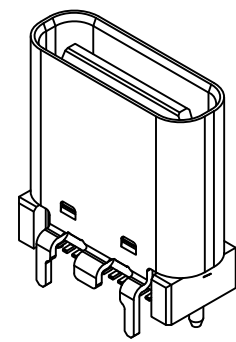


Section: A-A



Specifications

Material

- Insulator: LCP, UL 94V-0, Black
- Contact: Copper Alloy (C1814), T=0.12mm
- Mid Plate: Stainless Steel (SUS301), T=0.15mm
- EMI Plate: Stainless Steel (SUS301), T=0.10mm
- Shell: Stainless Steel (SUS304), T=0.30mm

Plating

- Contact: Contact Area: 3u" Au over 50µ" min. Nickel
- Solder Tails: Matte Tin over 50µ" min. Nickel
- Shell: 30µ" min. Nickel
- Mid Plate: Cleaning
- EMI Plate: Cleaning

Electrical

- Current Rating: 5.00A collectively for Vbus pins
- 6.25A collectively for GND pins
- 1.25A for B5 pin
- 0.25A per pin for all other pins
- Voltage Rating: 20V DC
- Contact Resistance: 40mΩ max initial
- 50mΩ max after test
- Dielectric Withstanding Voltage: 100V AC
- Insulation Resistance 100MΩ min

Mechanical & Environmental

- Operating Temperature: -25°C to +85°C
- Mating Force: 5 to 20 N.
- Unmated Force: 6 to 20 N after test
- Durability: 10,000 cycles

Ordering Grid

USB4115 - **03** - **C**
Request Samples and Quotation

Contact Plating: 03 = 3u" Gold
 Packing Options: C = Tape & Reel with Cap (450 per reel)

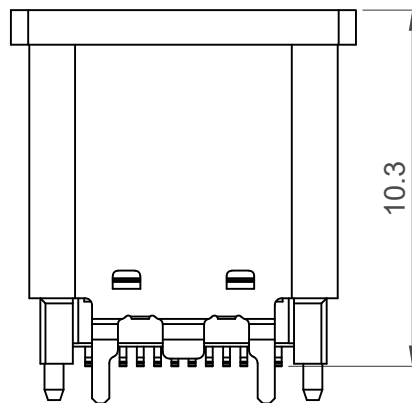
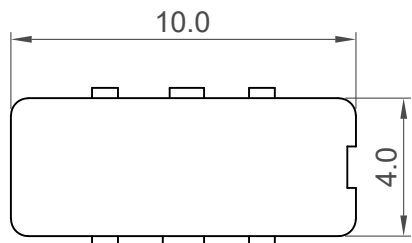
| | | | |
|--------------|---------------|--|-------------|
| Part Number | | Product Description | |
| USB4115 | | USB3.2 Gen2 Type C Receptacle, Vertical, SMT, H=9.25mm | |
| Drawing Date | | 28th September 2020 | |
| By | CC | Tolerances (Except as Noted) | Units: |
| Detail | USB4115 B PCN | Length: X.X ± 0.30 | Metric (mm) |
| Revision | B2 | Angle: X.XX ± 0.25 | |
| Date | 07/10/21 | X.XXX ± 0.10 | |



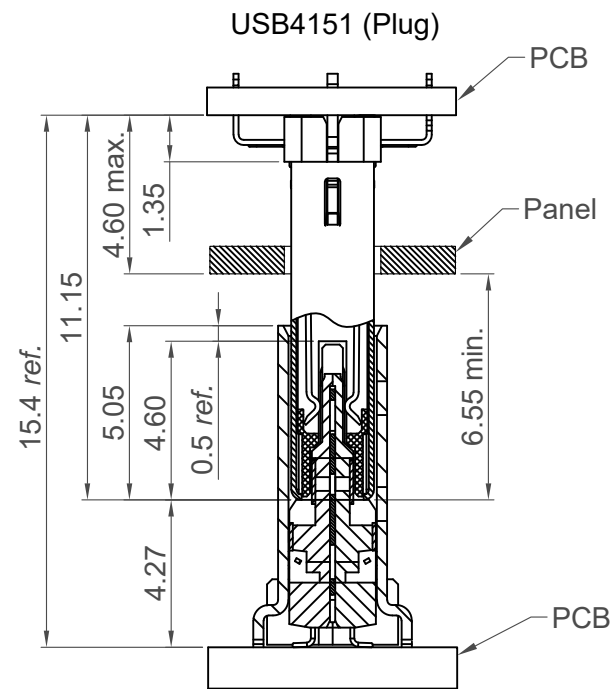
This drawing is confidential and copyright of Global Connector Technology, Ltd (GCT). This drawing must not be copied or disclosed without written consent. E & OE



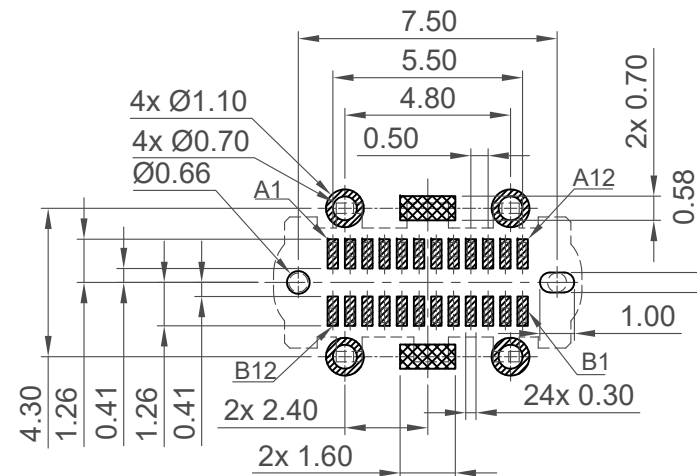
| | | |
|--------------|-------------|---------------|
| Not to Scale | Drawn By CC | Sheet No. 1/3 |
|--------------|-------------|---------------|



Cap Information



USB4115 (Receptacle)
Plug and Receptacle Mating View

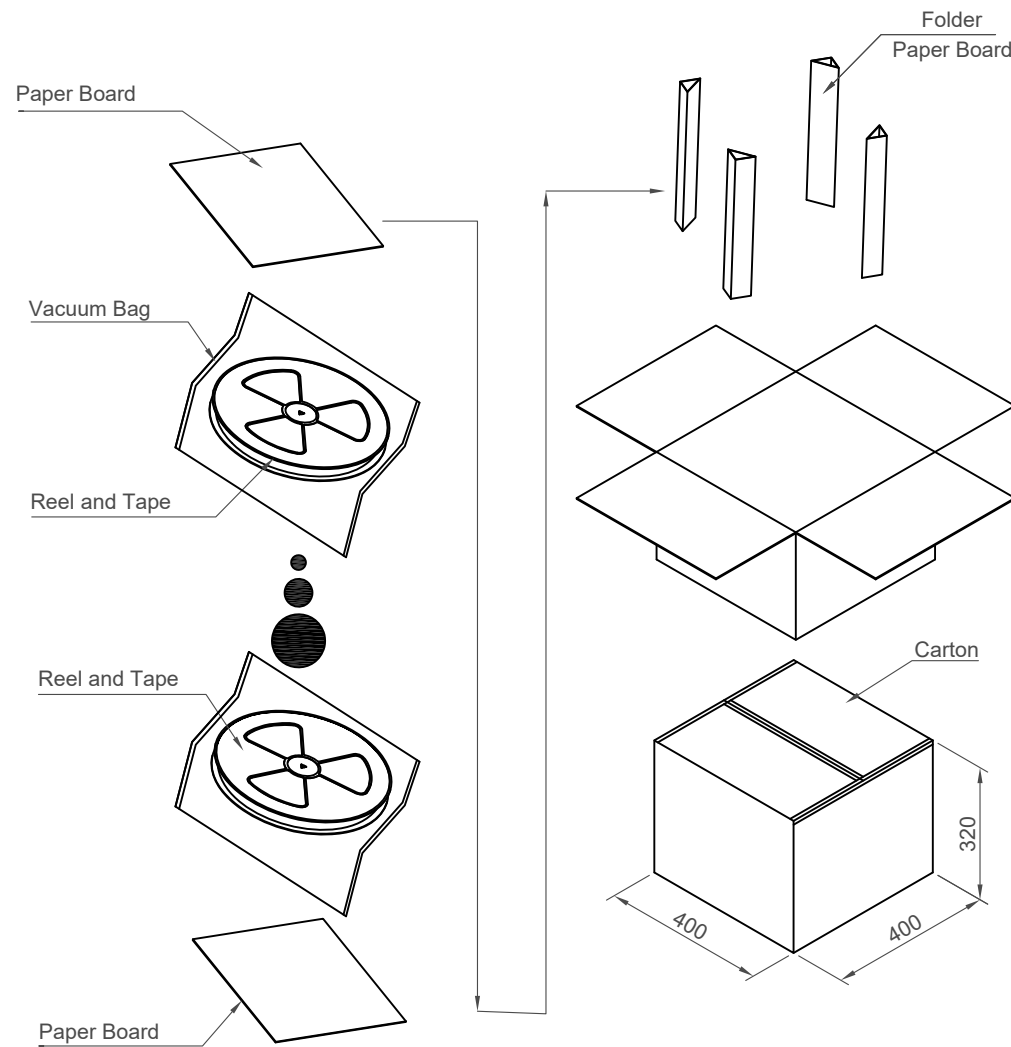
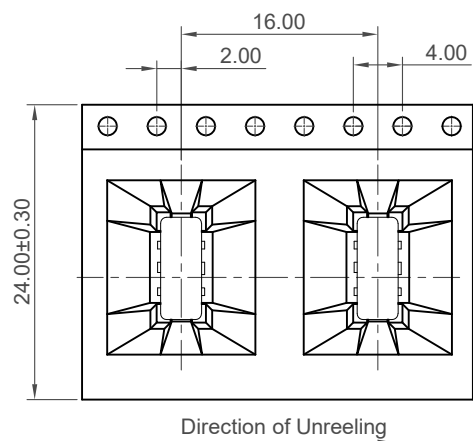
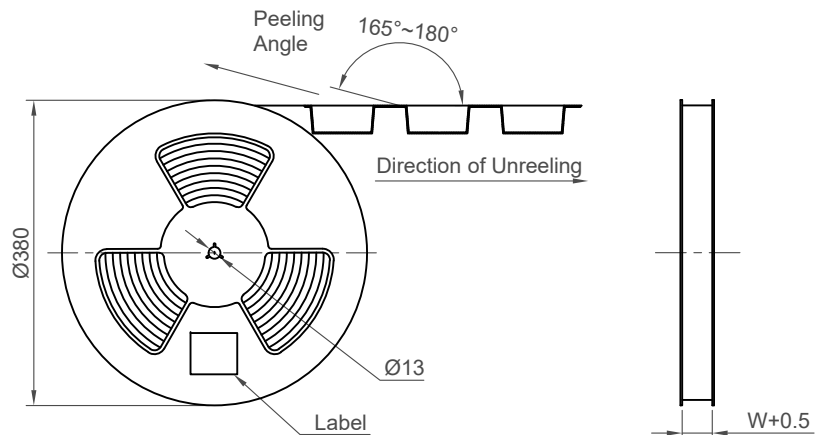
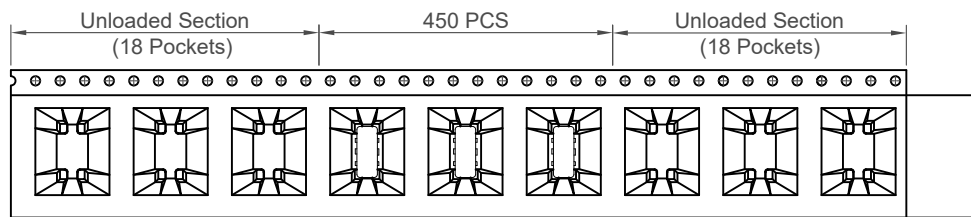


Recommended PCB Layout
Thickness 1.20±0.10mm
Tolerance: ±0.05mm

▨ Solder Area ▩ Keep Out Area □ Component Outline

| Pin | Signal | Mating Sequence | Pin | Signal | Mating Sequence |
|-------|--------|-----------------|-------|--------|-----------------|
| A1 | GND | First | B12 | GND | First |
| A2 | SSTXp1 | Second | B11 | SSRXp1 | Second |
| A3 | SSTXn1 | Second | B10 | SSRXn1 | Second |
| A4 | Vbus | First | B9 | Vbus | First |
| A5 | CC1 | Second | B8 | SBU2 | Second |
| A6 | Dp1 | Second | B7 | Dn2 | Second |
| A7 | Dn1 | Second | B6 | Dp2 | Second |
| A8 | SBU1 | Second | B5 | CC2 | Second |
| A9 | Vbus | First | B4 | Vbus | First |
| A10 | SSRXn2 | Second | B3 | SSTXn2 | Second |
| A11 | SSRXp2 | Second | B2 | SSTXp2 | Second |
| A12 | GND | First | B1 | GND | First |
| SHELL | | GND | SHELL | | GND |

| | | | | |
|-------------------------------------|--|--|-----------------------|--|
| Part Number USB4115 | | Product Description USB3.2 Gen2 Type C Receptacle, Vertical, SMT, H=9.25mm | | www.gct.co |
| Drawing Date 28th September 2020 | | | | |
| By CC | | Tolerances (Except as Noted) | Units: Metric (mm) | |
| Detail USB4115 B PCN | | Length X.X ± 0.30 | Angle X.XX ± 0.25 | This drawing is confidential and copyright of Global Connector Technology, Ltd (GCT). This drawing must not be copied or disclosed without written consent. E & OE |
| Revision B2 | | X.XXX ± 0.10 | | |
| Date 07/10/21 | | | | |
| Not to Scale | | Drawn By CC | Sheet No. 2/3 | |



| Pcs / Reel | Reels / Carton | Total Quantity |
|------------|----------------|----------------|
| 450 | 10 | 4,500 pcs |

| | | | |
|--------------|------------------|--|--------------------------|
| Part Number | | Product Description | |
| USB4115 | | USB3.2 Gen2 Type C Receptacle, Vertical, SMT, H=9.25mm | |
| Drawing Date | | 28th September 2020 | |
| By | CC | Tolerances (Except as Noted) | Units: |
| Detail | USB4115 B PCN | Length X.X ± 0.30 | Metric (mm) |
| Revision | B2 | Angle X.XX ± 0.25 | 3rd Angle Projection |
| Date | 07/10/21 | X.XXX ± 0.10 | |



This drawing is confidential and copyright of Global Connector Technology, Ltd (GCT). This drawing must not be copied or disclosed without written consent. E & OE



Not to Scale Drawn By CC Sheet No. 3/3