

MOSFET - Power, Single N-Channel, TOLL

40 V, 0.95 mΩ, 300 A



ON Semiconductor®

www.onsemi.com

FDBL9403-F085T6

Features

- Low $R_{DS(on)}$ to Minimize Conduction Losses
- Low Q_G and Capacitance to Minimize Driver Losses
- AEC-Q101 Qualified and PPAP Capable
- Small Footprint (TOLL) for Compact Design
- These Devices are Pb-Free, Halogen Free/BFR Free and are RoHS Compliant

MAXIMUM RATINGS ($T_J = 25^\circ\text{C}$ unless otherwise noted)

| Parameter | Symbol | Value | Unit | |
|--|--|---------------------------|------------------|---|
| Drain-to-Source Voltage | V_{DSS} | 40 | V | |
| Gate-to-Source Voltage | V_{GS} | +20/-16 | V | |
| Continuous Drain Current $R_{\theta JC}$ (Notes 1, 3) | Steady State | $T_C = 25^\circ\text{C}$ | I_D 300 | A |
| | | $T_C = 100^\circ\text{C}$ | 217 | |
| Power Dissipation $R_{\theta JC}$ (Note 1) | Steady State | $T_C = 25^\circ\text{C}$ | P_D 159.6 | W |
| | | $T_C = 100^\circ\text{C}$ | 79.8 | |
| Continuous Drain Current $R_{\theta JA}$ (Notes 1, 2, 3) | Steady State | $T_A = 25^\circ\text{C}$ | I_D 50 | A |
| | | $T_A = 100^\circ\text{C}$ | 36 | |
| Power Dissipation $R_{\theta JA}$ (Notes 1, 2) | Steady State | $T_A = 25^\circ\text{C}$ | P_D 4.3 | W |
| | | $T_A = 100^\circ\text{C}$ | 2.1 | |
| Pulsed Drain Current | $T_A = 25^\circ\text{C}, t_p = 10 \mu\text{s}$ | I_{DM} 3565 | A | |
| Operating Junction and Storage Temperature Range | T_J, T_{stg} | -55 to +175 | $^\circ\text{C}$ | |
| Source Current (Body Diode) | I_S | 330 | A | |
| Single Pulse Drain-to-Source Avalanche Energy ($I_{L(pk)} = 35 \text{ A}, L = 1 \text{ mH}$) | E_{AS} | 612.5 | mJ | |
| Lead Temperature for Soldering Purposes (1/8" from case for 10 s) | T_L | 260 | $^\circ\text{C}$ | |

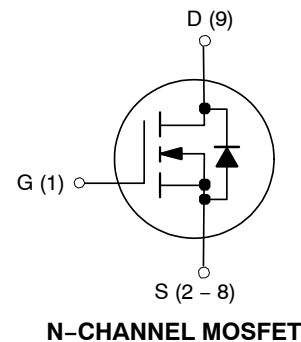
Stresses exceeding those listed in the Maximum Ratings table may damage the device. If any of these limits are exceeded, device functionality should not be assumed, damage may occur and reliability may be affected.

THERMAL RESISTANCE MAXIMUM RATINGS

| Parameter | Symbol | Value | Unit |
|---|-----------------|-------|---------------------------|
| Junction-to-Case - Steady State | $R_{\theta JC}$ | 0.94 | $^\circ\text{C}/\text{W}$ |
| Junction-to-Ambient - Steady State (Note 2) | $R_{\theta JA}$ | 35 | |

1. The entire application environment impacts the thermal resistance values shown, they are not constants and are only valid for the particular conditions noted. Current is limited by bondwire configuration.
2. Surface-mounted on FR4 board using a 650 mm², 2 oz. Cu pad.
3. Maximum current for pulses as long as 1 second is higher but is dependent on pulse duration and duty cycle.

| $V_{(BR)DSS}$ | $R_{DS(ON) MAX}$ | $I_D MAX$ |
|---------------|------------------|-----------|
| 40 V | 0.95 mΩ @ 10 V | 300 A |



N-CHANNEL MOSFET



H-PSOF8L
CASE 100CU

ORDERING INFORMATION

| Device | Package | Shipping† |
|-----------------|--------------------|--------------------|
| FDBL9403-F085T6 | H-PSOF8L (Pb-Free) | 2000 / Tape & Reel |

†For information on tape and reel specifications, including part orientation and tape sizes, please refer to our Tape and Reel Packaging Specification Brochure, BRD8011/D.

FDBL9403–F085T6

Table 1. ELECTRICAL CHARACTERISTICS ($T_J = 25^\circ\text{C}$ unless otherwise noted)

| Parameter | Symbol | Test Conditions | Min | Typ | Max | Units |
|---|-------------------|---|---------------------------|-----|-----------|----------------------|
| OFF CHARACTERISTICS | | | | | | |
| Drain-to-Source Breakdown Voltage | $V_{(BR)DSS}$ | $I_D = 250\ \mu\text{A}$, $V_{GS} = 0\ \text{V}$ | 40 | | | V |
| Drain-to-Source Breakdown Voltage Temperature Coefficient | $V_{(BR)DSS}/T_J$ | | | 22 | | mV/ $^\circ\text{C}$ |
| Zero Gate Voltage Drain Current | I_{DSS} | $V_{DS} = 40\ \text{V}$, $V_{GS} = 0\ \text{V}$ | $T_J = 25^\circ\text{C}$ | | 1 | μA |
| | | | $T_J = 175^\circ\text{C}$ | | 310 | μA |
| Gate-to-Source Leakage Current | I_{GSS} | $V_{DS} = 0\ \text{V}$, $V_{GS} = +20/-16\ \text{V}$ | | | ± 100 | nA |

ON CHARACTERISTICS (Note 4)

| | | | | | | |
|-----------------------------------|------------------|--|---|------|------|----------------------|
| Gate Threshold Voltage | $V_{GS(th)}$ | $V_{GS} = V_{DS}$, $I_D = 250\ \mu\text{A}$ | 2 | 2.8 | 4 | V |
| Threshold Temperature Coefficient | $V_{GS(th)}/T_J$ | | | -7.1 | | mV/ $^\circ\text{C}$ |
| Drain-to-Source On Resistance | $R_{DS(on)}$ | $V_{GS} = 10\ \text{V}$, $I_D = 50\ \text{A}$ | | 0.84 | 0.95 | m Ω |

CHARGES, CAPACITANCES & GATE RESISTANCE

| | | | | | | |
|-------------------------------|--------------|--|--|------|--|----------|
| Input Capacitance | C_{iss} | $V_{GS} = 0\ \text{V}$, $V_{DS} = 25\ \text{V}$, $f = 100\ \text{KHz}$ | | 6985 | | pF |
| Output Capacitance | C_{oss} | | | 3720 | | pF |
| Reverse Transfer Capacitance | C_{rss} | | | 68 | | pF |
| Gate Resistance | R_g | $V_{GS} = 0.5\ \text{V}$, $f = 1\ \text{MHz}$ | | 1.1 | | Ω |
| Total Gate Charge | $Q_{G(tot)}$ | $V_{GS} = 10\ \text{V}$, $V_{DS} = 20\ \text{V}$, $I_D = 50\ \text{A}$ | | 108 | | nC |
| Threshold Gate Charge | $Q_{G(th)}$ | $V_{GS} = 0\ \text{to}\ 2\ \text{V}$ | | 13 | | nC |
| Gate-to-Source Gate Charge | Q_{gs} | $V_{DD} = 22\ \text{V}$, $I_D = 50\ \text{A}$ | | 28 | | nC |
| Gate-to-Drain "Miller" Charge | Q_{gd} | | | 23 | | nC |
| Plateau Voltage | V_{GP} | | | 4.4 | | V |

SWITCHING CHARACTERISTICS (Note 5)

| | | | | | | |
|---------------------|--------------|---|--|----|--|----|
| Turn-On Delay Time | $t_{d(on)}$ | $V_{GS} = 10\ \text{V}$, $V_{DD} = 20\ \text{V}$, $I_D = 50\ \text{A}$, $R_{GEN} = 6\ \Omega$ | | 33 | | ns |
| Turn-On Rise Time | t_r | | | 56 | | ns |
| Turn-Off Delay Time | $t_{d(off)}$ | | | 84 | | ns |
| Turn-Off Fall Time | t_f | | | 39 | | ns |

DRAIN-SOURCE DIODE CHARACTERISTICS

| | | | | | | |
|-------------------------------|----------|--|--|------|-----|----|
| Source-to-Drain Diode Voltage | V_{SD} | $I_{SD} = 50\ \text{A}$, $V_{GS} = 0\ \text{V}$ | | 0.79 | 1.2 | V |
| Reverse Recovery Time | t_{rr} | $V_{GS} = 0\ \text{V}$, $dI_S/dt = 100\ \text{A}/\mu\text{s}$, $I_S = 50\ \text{A}$ | | 84 | | ns |
| Charge Time | t_a | | | 54 | | ns |
| Discharge Time | t_b | | | 30 | | ns |
| Reverse Recovery Charge | Q_{rr} | | | 172 | | nC |

Product parametric performance is indicated in the Electrical Characteristics for the listed test conditions, unless otherwise noted. Product performance may not be indicated by the Electrical Characteristics if operated under different conditions.

4. Pulse Test: pulse width $\leq 300\ \mu\text{s}$, duty cycle $\leq 2\%$.

5. Switching characteristics are independent of operating junction temperatures

TYPICAL CHARACTERISTICS

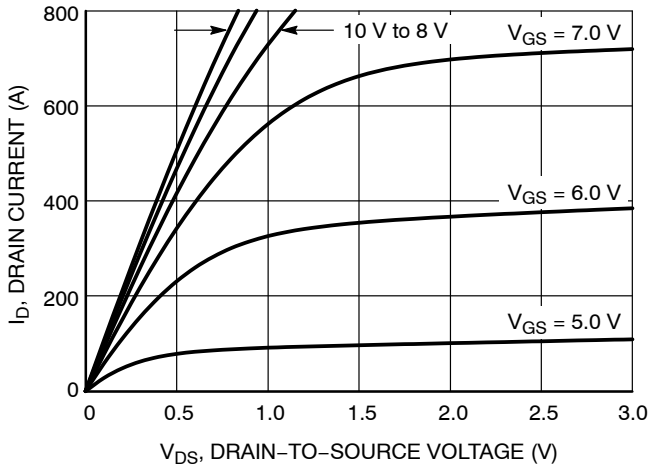


Figure 1. On-Region Characteristics

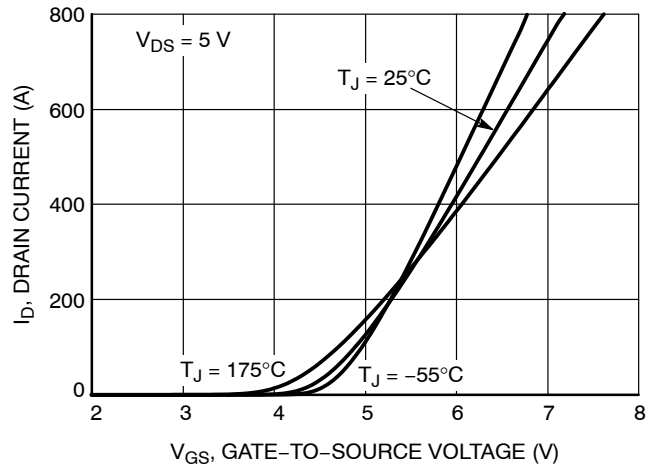


Figure 2. Transfer Characteristics

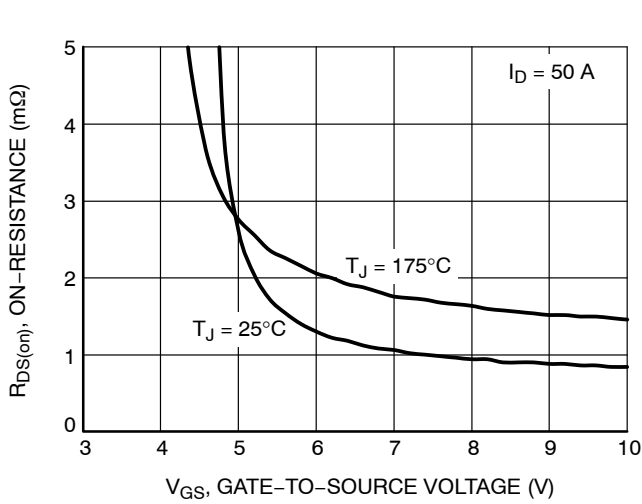


Figure 3. On-Resistance vs. Gate-to-Source Voltage

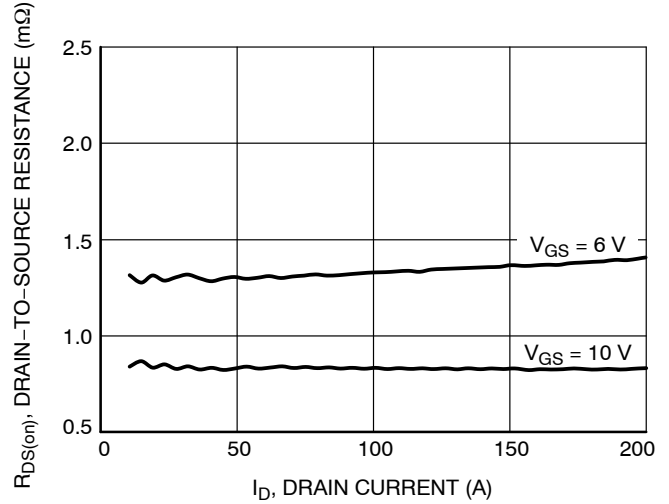


Figure 4. On-Resistance vs. Drain Current and Gate Voltage

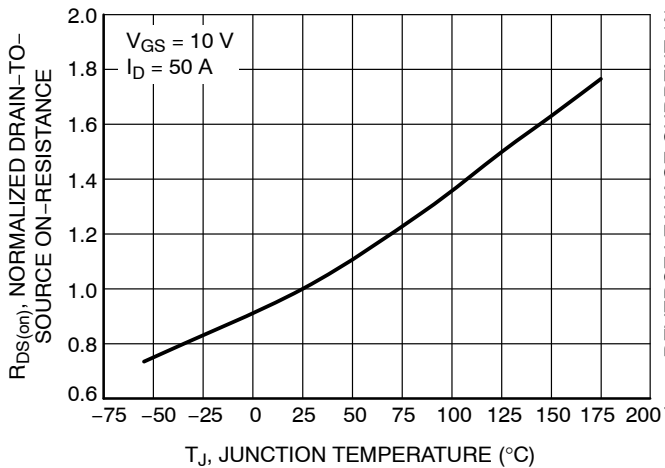


Figure 5. On-Resistance Variation with Temperature

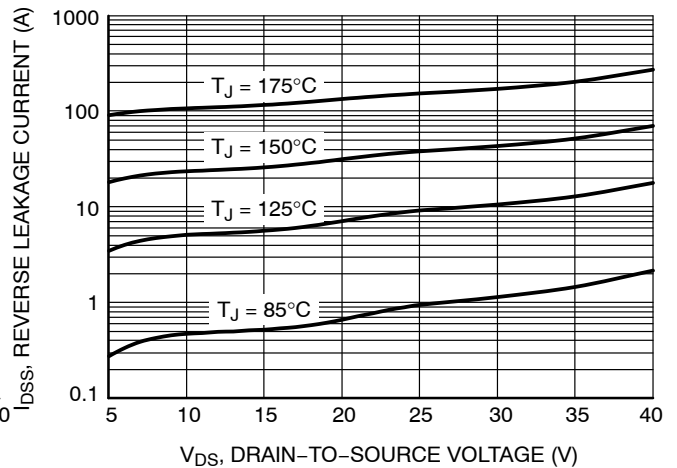


Figure 6. Drain-to-Source Leakage Current vs. Voltage

TYPICAL CHARACTERISTICS

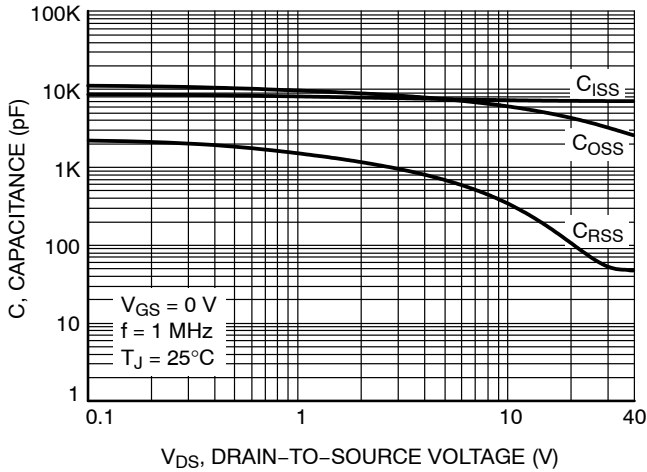


Figure 7. Capacitance Variation

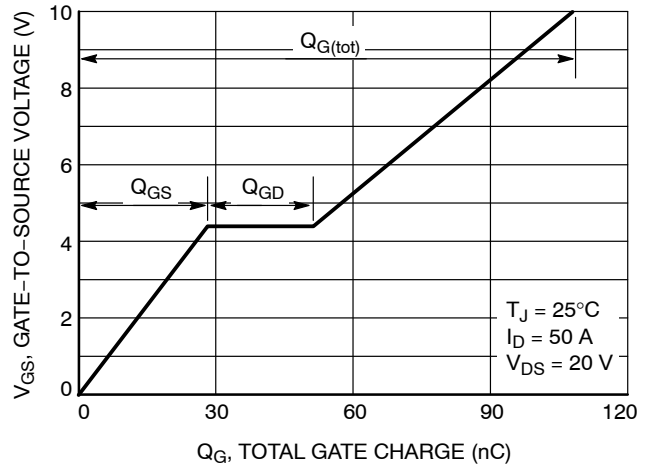


Figure 8. Gate-to-Source Voltage vs. Total Charge

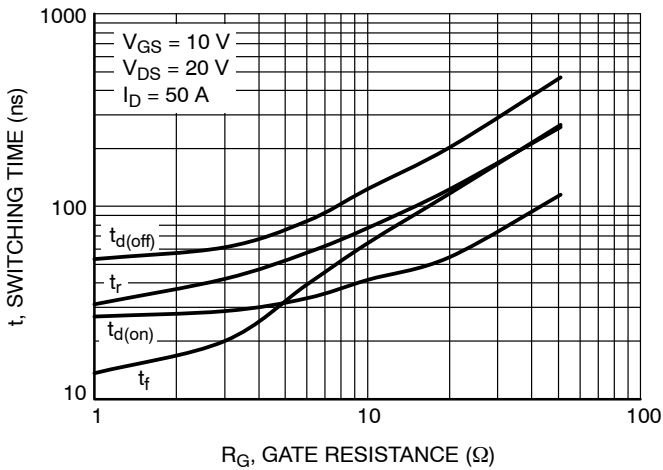


Figure 9. Resistive Switching Time Variation vs. Gate Resistance

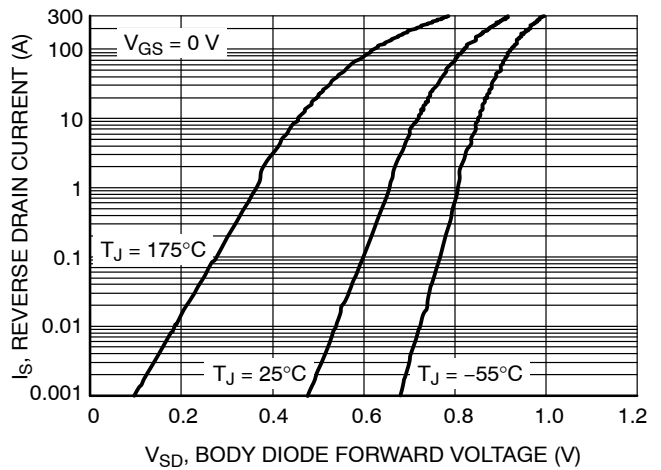


Figure 10. Diode Forward Voltage vs. Current

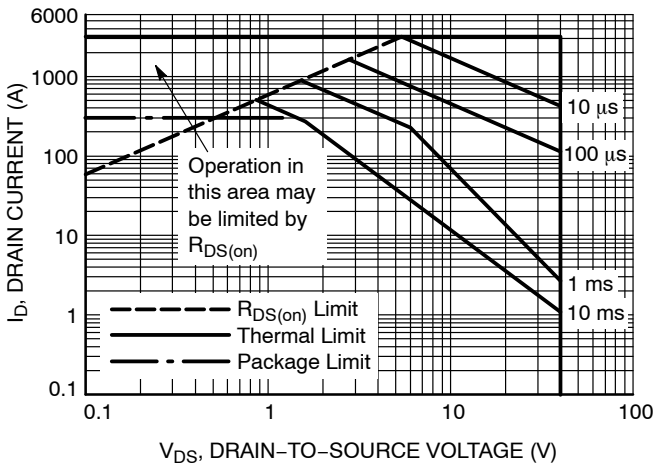


Figure 11. Maximum Rated Forward Biased Safe Operating Area

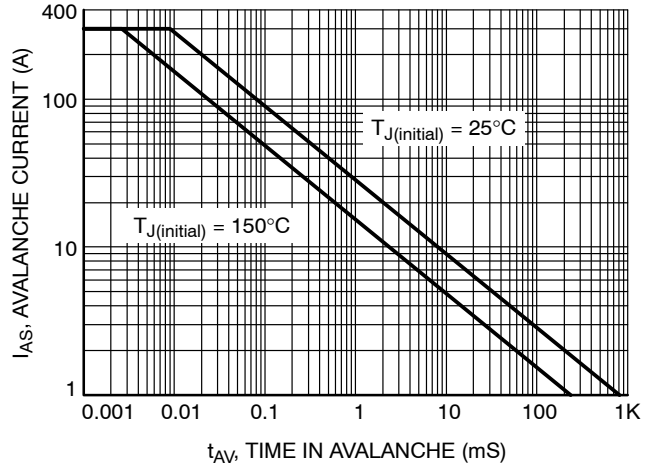


Figure 12. Maximum Drain Current vs. Time in Avalanche

TYPICAL CHARACTERISTICS

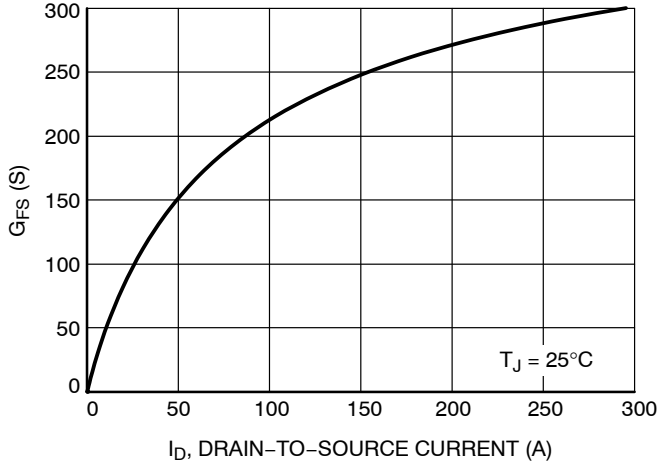


Figure 13. G_{FS} vs. I_D

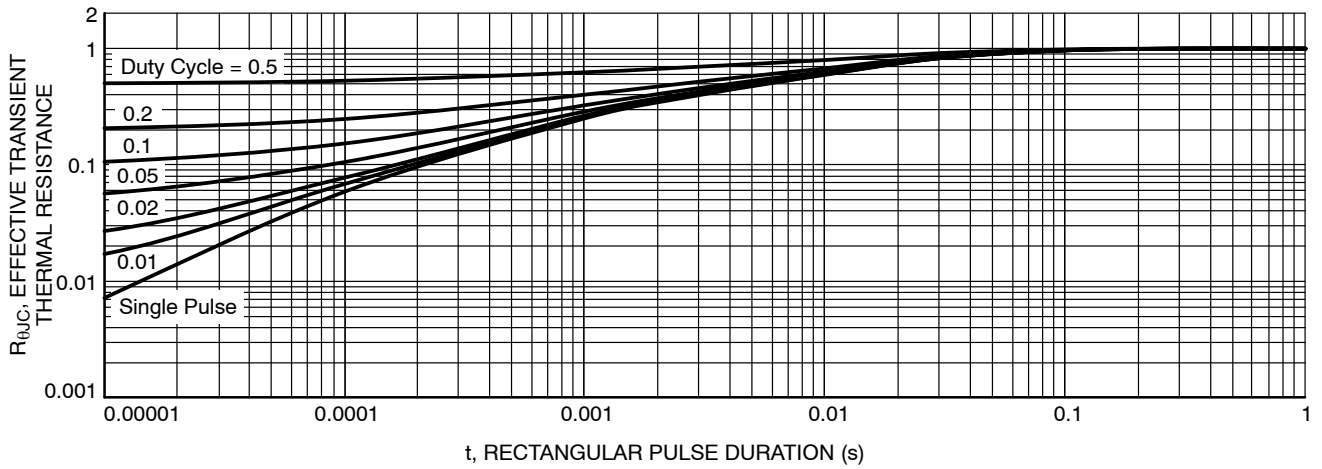


Figure 14. Transient Thermal Impedance

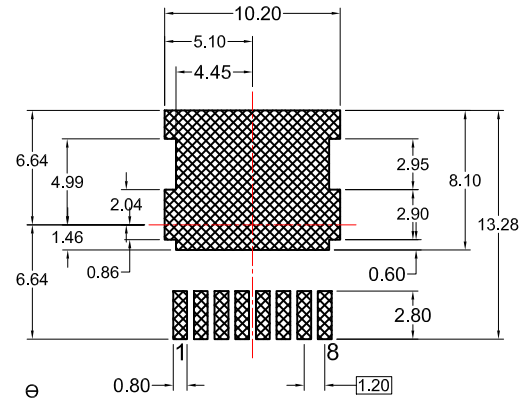
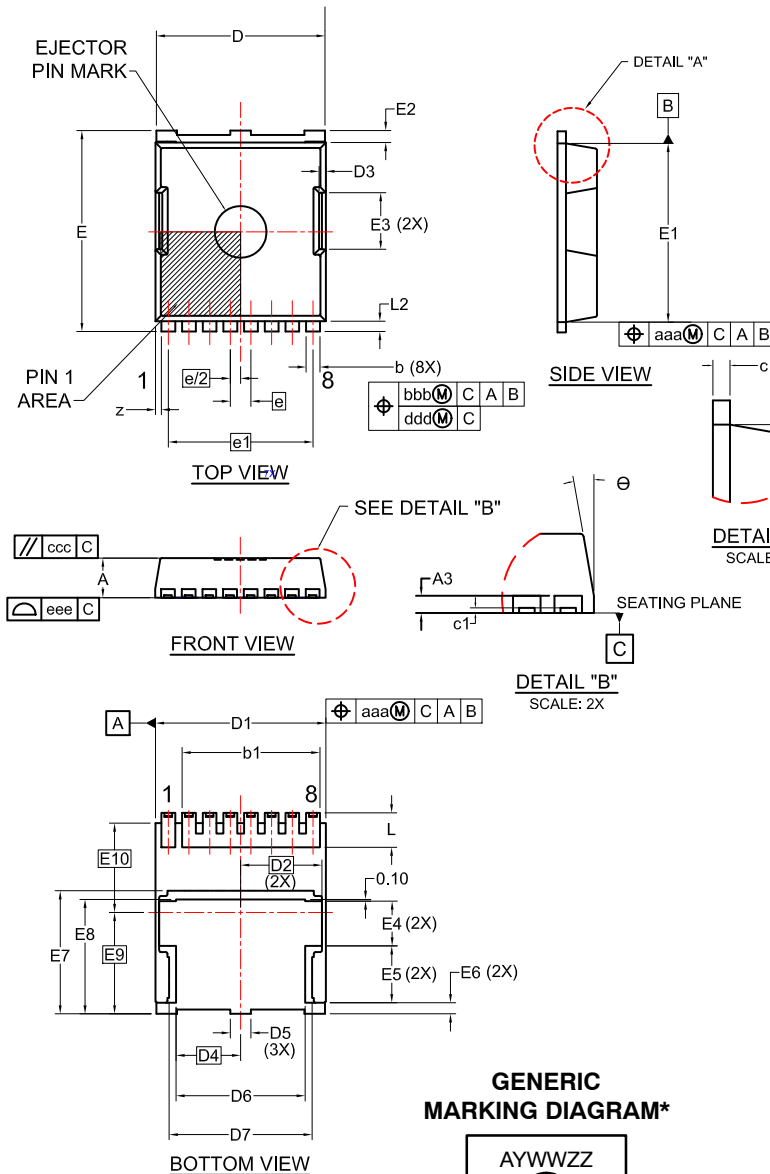
MECHANICAL CASE OUTLINE PACKAGE DIMENSIONS

ON Semiconductor®



H-PSOF8L 11.68x9.80 CASE 100CU ISSUE A

DATE 06 JAN 2020



LAND PATTERN RECOMMENDATION
*FOR ADDITIONAL INFORMATION ON OUR PB-FREE STRATEGY AND SOLDERING DETAILS, PLEASE DOWNLOAD THE ON SEMICONDUCTOR SOLDERING AND MOUNTING TECHNIQUES REFERENCE MANUAL, SOLDERM/D.

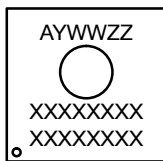
NOTES:

1. PACKAGE STANDARD REFERENCE: JEDEC MO-299, ISSUE A.
2. DIMENSIONING AND TOLERANCING PER ASME Y14.5M, 2009.
3. CONTROLLING DIMENSION: MILLIMETERS.
4. COPLANARITY APPLIES TO THE EXPOSED WELL AS THE TERMINALS.
5. DIMENSIONS D1 AND E1 DO NOT INCLUDE MOLD FLASH, PROTRUSIONS, OR GATE BURRS.
6. SEATING PLANE IS DEFINED BY THE TERMINALS. "A1" IS DEFINED AS THE DISTANCE FROM THE SEATING PLANE TO THE LOWEST POINT ON THE PACKAGE BODY.

| DIM | MILLIMETERS | | |
|-----|-------------|-------|-------|
| | MIN. | NOM. | MAX. |
| A | 2.20 | 2.30 | 2.40 |
| A3 | 0.40 | 0.50 | 0.60 |
| b | 0.70 | 0.80 | 0.90 |
| b1 | 8.00 REF | | |
| c | 0.40 | 0.50 | 0.60 |
| c1 | 0.10 | -- | -- |
| D | 9.70 | 9.80 | 9.90 |
| D1 | 9.80 | 9.90 | 10.00 |
| D2 | 4.73 BSC | | |
| D3 | 0.40 REF | | |
| D4 | 3.75 BSC | | |
| D5 | -- | 1.20 | -- |
| D6 | 7.40 | 7.50 | 7.60 |
| D7 | (8.30) | | |
| E | 11.58 | 11.68 | 11.78 |
| E1 | 10.28 | 10.38 | 10.48 |
| E2 | 0.60 | 0.70 | 0.80 |
| E3 | 3.30 REF | | |
| E4 | -- | 2.60 | -- |

| DIM | MILLIMETERS | | |
|-----|-------------|------|------|
| | MIN. | NOM. | MAX. |
| e | 1.20 BSC | | |
| e/2 | 0.60 BSC | | |
| e1 | 8.40 BSC | | |
| K | 1.50 | 1.57 | 1.70 |
| L | 1.90 | 2.00 | 2.10 |
| L2 | 0.50 | 0.60 | 0.70 |
| z | 0.35 REF | | |
| θ | 0° | -- | 12° |
| aaa | 0.20 | | |
| bbb | 0.25 | | |
| ccc | 0.20 | | |
| ddd | 0.20 | | |
| eee | 0.10 | | |
| E5 | -- | 3.30 | -- |
| E6 | -- | 0.65 | -- |
| E7 | 7.15 REF | | |
| E8 | 6.55 | 6.65 | 6.75 |
| E9 | 5.89 BSC | | |
| E10 | 5.19 BSC | | |

GENERIC MARKING DIAGRAM*



A = Assembly Location
Y = Year
WW = Work Week
ZZ = Assembly Lot Code
XXXX = Specific Device Code

*This information is generic. Please refer to device data sheet for actual part marking. Pb-Free indicator, "G" or microdot "•", may or may not be present. Some products may not follow the Generic Marking.

| | | |
|-------------------------|----------------------------|--|
| DOCUMENT NUMBER: | 98AON13813G | Electronic versions are uncontrolled except when accessed directly from the Document Repository. Printed versions are uncontrolled except when stamped "CONTROLLED COPY" in red. |
| DESCRIPTION: | H-PSOF8L 11.68x9.80 | PAGE 1 OF 1 |

ON Semiconductor and ON are trademarks of Semiconductor Components Industries, LLC dba ON Semiconductor or its subsidiaries in the United States and/or other countries. ON Semiconductor reserves the right to make changes without further notice to any products herein. ON Semiconductor makes no warranty, representation or guarantee regarding the suitability of its products for any particular purpose, nor does ON Semiconductor assume any liability arising out of the application or use of any product or circuit, and specifically disclaims any and all liability, including without limitation special, consequential or incidental damages. ON Semiconductor does not convey any license under its patent rights nor the rights of others.

onsemi, **Onsemi**, and other names, marks, and brands are registered and/or common law trademarks of Semiconductor Components Industries, LLC dba "**onsemi**" or its affiliates and/or subsidiaries in the United States and/or other countries. **onsemi** owns the rights to a number of patents, trademarks, copyrights, trade secrets, and other intellectual property. A listing of **onsemi**'s product/patent coverage may be accessed at www.onsemi.com/site/pdf/Patent-Marking.pdf. **onsemi** reserves the right to make changes at any time to any products or information herein, without notice. The information herein is provided "as-is" and **onsemi** makes no warranty, representation or guarantee regarding the accuracy of the information, product features, availability, functionality, or suitability of its products for any particular purpose, nor does **onsemi** assume any liability arising out of the application or use of any product or circuit, and specifically disclaims any and all liability, including without limitation special, consequential or incidental damages. Buyer is responsible for its products and applications using **onsemi** products, including compliance with all laws, regulations and safety requirements or standards, regardless of any support or applications information provided by **onsemi**. "Typical" parameters which may be provided in **onsemi** data sheets and/or specifications can and do vary in different applications and actual performance may vary over time. All operating parameters, including "Typicals" must be validated for each customer application by customer's technical experts. **onsemi** does not convey any license under any of its intellectual property rights nor the rights of others. **onsemi** products are not designed, intended, or authorized for use as a critical component in life support systems or any FDA Class 3 medical devices or medical devices with a same or similar classification in a foreign jurisdiction or any devices intended for implantation in the human body. Should Buyer purchase or use **onsemi** products for any such unintended or unauthorized application, Buyer shall indemnify and hold **onsemi** and its officers, employees, subsidiaries, affiliates, and distributors harmless against all claims, costs, damages, and expenses, and reasonable attorney fees arising out of, directly or indirectly, any claim of personal injury or death associated with such unintended or unauthorized use, even if such claim alleges that **onsemi** was negligent regarding the design or manufacture of the part. **onsemi** is an Equal Opportunity/Affirmative Action Employer. This literature is subject to all applicable copyright laws and is not for resale in any manner.

PUBLICATION ORDERING INFORMATION

LITERATURE FULFILLMENT:

Email Requests to: orderlit@onsemi.com

onsemi Website: www.onsemi.com

TECHNICAL SUPPORT

North American Technical Support:

Voice Mail: 1 800-282-9855 Toll Free USA/Canada

Phone: 011 421 33 790 2910

Europe, Middle East and Africa Technical Support:

Phone: 00421 33 790 2910

For additional information, please contact your local Sales Representative