

RLF 35-8/14 N

DC centrifugal compact fan

single-intake



ebm-papst St. Georgen GmbH & Co. KG

Hermann-Papst-Str. 1
D-78112 St. Georgen
Phone +49 (0) 7724 81-0
Fax +49 (0) 7724 81-1309
info2@de.ebmpapst.com
www.ebmpapst.com

Nominal data

Type	RLF 35-8/14 N	
Nominal voltage	VDC	24
Nominal voltage range	VDC	14 .. 28
Speed (rpm)	min ⁻¹	6700
Power consumption	W	4.3
Min. ambient temperature	°C	-20
Max. ambient temperature	°C	70
Air flow	m ³ /h	9.6
Sound power level	B	5.5

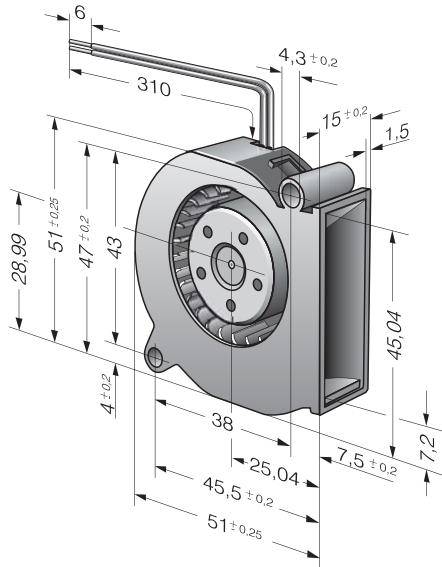
ml = Max. load · me = Max. efficiency · fa = Free air · cs = Customer specification · ce = Customer equipment
Subject to change



Technical description

General description	Forward-curved impeller
Weight	0.04 kg
Dimensions	51 x 51 x 15 mm
Impeller material	Glass-fiber reinforced plastic
Housing material	Scroll housing made of glass-fiber reinforced plastic.
Airflow direction	Axial intake, radial discharge from outlet.
Storage	Ball bearing
Service life L10 at 40 °C	60000 h
Service life L10 at maximum temperature	30000 h
Cable	With leads AWG 26, TR 64
Motor protection	Protection against reverse polarity and blocked rotor.
Locked-rotor protection	Electronic locked-rotor protection
Approval	CE

Product drawing



Curves: Air performance

