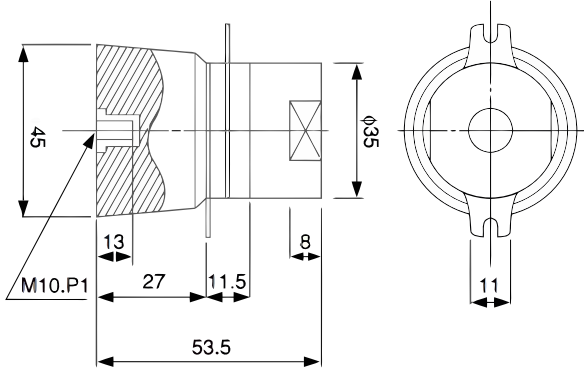


**KEMET Part Number: NBL45402H-A**  
(UPCNBL45402HA0)



KEMET, NBL, Transducers, Single-layer



General Information	
<b>Style:</b>	Bolt-On
<b>Description:</b>	Langevin Bolt-On Transducers
<b>RoHS:</b>	With Exemptions
<b>SCIP Number:</b>	6629125f-50d3-4e75-ae76-25e0bc1955b0
<b>Notes:</b>	Horn Construction; Output Surface Has Step Or Horn Shape.

Dimensions	
<b>D</b>	45mm NOM
<b>L</b>	53.5mm NOM

Specifications	
<b>Series:</b>	NBL
<b>Capacitance:</b>	4000 pF
<b>Resonant Frequency:</b>	40.2 kHz
<b>Dynamic Admittance:</b>	15msec
<b>Mechanical Q:</b>	500 Qm
<b>Allowable Velocity:</b>	50 cm/S
<b>Allowable Power:</b>	50
<b>Temperature Range:</b>	-40/+120°C

Packaging Specifications	
<b>Component Weight:</b>	240
<b>Packaging:</b>	Bulk Tray, Box
<b>Packaging Quantity:</b>	30

Statements of suitability for certain applications are based on our knowledge of typical operating conditions for such applications, but are not intended to constitute - and we specifically disclaim - any warranty concerning suitability for a specific customer application or use. This Information is intended for use only by customers who have the requisite experience and capability to determine the correct products for their application. Any technical advice inferred from this Information or otherwise provided by us with reference to the use of our products is given gratis, and we assume no obligation or liability for the advice given or results obtained.

