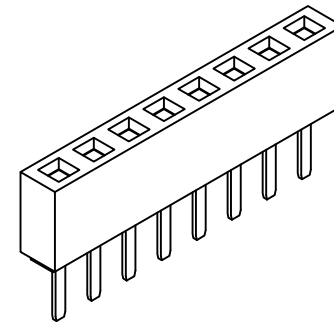
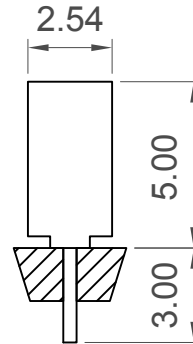
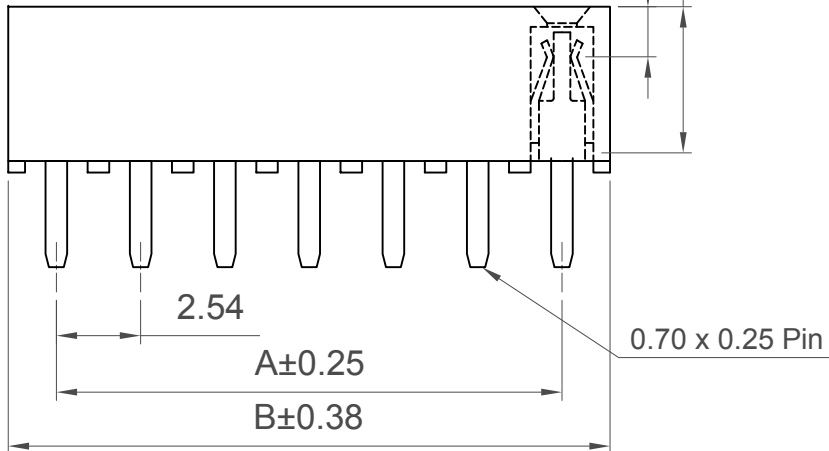


Recommended PCB Layout



Minimum Insertion Depth
1.45 Ref.

Maximum Insertion Depth
4.40 ref.



Specifications

Material

Insulator:
Standard: Polyamide, Nylon 6T, UL94V-0
Options: Polymer, LCP, UL94V-0
Polyester, PBT, UL94V-0
Contact: Phosphor Bronze

Plating

See Ordering Grid

Electrical

Current Rating: 3 Amp Per Pin
Contact Resistance: 20 mΩ max.
Insulation Resistance: 1000 MΩ min.
Dielectric Withstand Voltage: 600 V AC

Mechanical & Environmental

Operating Temperature: -40°C to +105°C

Soldering Process

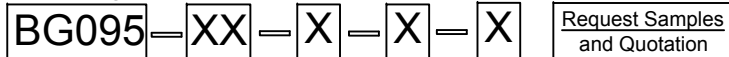
Nylon 6T (Standard)
IR Reflow: 260°C for 10 sec.
Wave: 230°C for 5-10 sec.
Manual Solder: 350°C for 3-5sec
LCP (Option)
IR Reflow: 260°C for 10 sec.
Wave: 250°C for 5-10 sec
Manual Solder: 350°C for 3-5 sec
PBT (Option)
Manual Solder: 330°C for 3-5 sec.
(Not suitable for hi-temp process)

Mates with (Subject to Pin Length)

BG020 BG030 BG031 BG035
BG055 BG060 BG075 BG080

Number of Contacts	Dimensions	
	A	B
2	2.54	5.58
3	5.08	8.12
4	7.62	10.66
5	10.16	13.20
6	12.70	15.74
7	15.24	18.28
8	17.78	20.82
9	20.32	23.36
10	22.86	25.90
11	25.40	28.44
12	27.94	30.98
13	30.48	33.52
14	33.02	36.06
15	35.56	38.60
16	38.10	41.14
17	40.64	43.68
18	43.18	46.22
19	45.72	48.76
20	48.26	51.30
21	50.80	53.84
22	53.34	56.38
23	55.88	58.92
24	58.42	61.46
25	60.96	64.00
26	63.50	66.54
27	66.04	69.08
28	68.58	71.62
29	71.12	74.16
30	73.66	76.70
31	76.20	79.24
32	78.74	81.78
33	81.28	84.32
34	83.82	86.86
35	86.36	89.40
36	88.90	91.94
37	91.44	94.48
38	93.98	97.02
39	96.52	99.56
40	99.06	102.10

Ordering Grid



No. of Contacts
02 to 40

Packing Options

D = Tube (Standard)
E = Tube with Cap
F = Tube with Film
G = Plastic Box

Insulator Material

N = Nylon 6T (Standard)
P = PBT
L = LCP

Contact Plating

A = Gold Flash All Over (Standard)
B = Selective Gold Flash Contact Area/Tin On Tail
C = Tin All Over
G = 10μ" Gold Contact Area/Tin On Tail
I = 30μ" Gold Contact Area/Tin On Tail

Part Number		Product Description	
BG095		2.54mm Pitch Socket, Single Row, Through-Hole, Vertical, Dual Beam Folded Contact	
Drawing Date		28th December 2007	
By	CC	Tolerances (Except as Noted)	Units:
Detail	BG095 E PCN	Length X. ± 0.30 X.X ± 0.20 X.XX ± 0.15 X.XXX ± 0.10	Metric (mm)
Revision	E3	Angle X° ± 5° X.X° ± 2° X.XX° ± 1° X.XXX° ± 0.5°	3rd Angle Projection
Date	16/11/17		



This drawing is confidential and copyright of Global Connector Technology, Ltd (GCT). This drawing must not be copied or disclosed without written consent. E & OE



Not to Scale	Drawn By ASS	Sheet No. 1/1
--------------	--------------	---------------