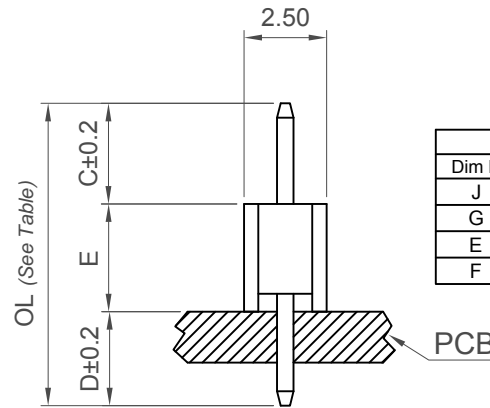
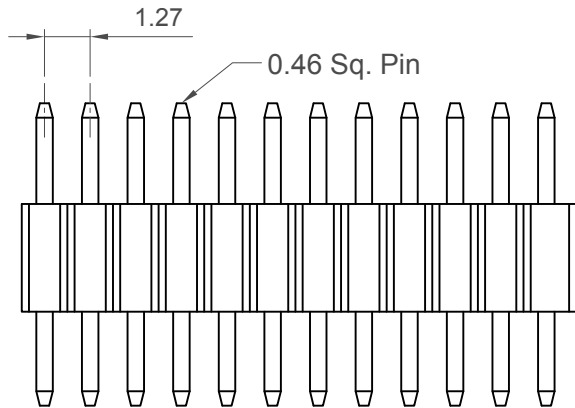
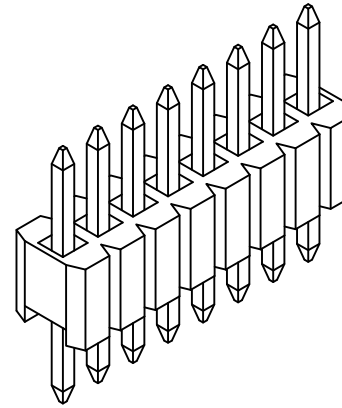


**Recommended PCB Layout**



Maximum Table		
Dim E	OL Max (mm)	Dim C&D Max (mm)
J	12.00	8.00
G	15.00	10.00
E	15.00	10.00
F	15.00	10.00

No. of Contacts	Dimensions	
	A	B
2	1.27	2.54
3	2.54	3.81
4	3.81	5.08
5	5.08	6.35
6	6.35	7.62
7	7.62	8.89
8	8.89	10.16
9	10.16	11.43
10	11.43	12.70
11	12.70	13.97
12	13.97	15.24
13	15.24	16.51
14	16.51	17.78
15	17.78	19.05
16	19.05	20.32
17	20.32	21.59
18	21.59	22.86
19	22.86	24.13
20	24.13	25.40
21	25.40	26.67
22	26.67	27.94
23	27.94	29.21
24	29.21	30.48
25	30.48	31.75

No. of Contacts	Dimensions	
	A	B
26	31.75	33.02
27	33.02	34.29
28	34.29	35.56
29	35.56	36.83
30	36.83	38.10
31	38.10	39.37
32	39.37	40.64
33	40.64	41.91
34	41.91	43.18
35	43.18	44.45
36	44.45	45.72
37	45.72	46.99
38	46.99	48.26
39	48.26	49.53
40	49.53	50.80
41	50.80	52.07
42	52.07	53.34
43	53.34	54.61
44	54.61	55.88
45	55.88	57.15
46	57.15	58.42
47	58.42	59.69
48	59.69	60.96
49	60.96	62.23
50	62.23	63.50

**Specifications**

**Material**

Insulator: LCP, UL94V-0, Black  
Contact: Copper Alloy

**Plating**

Underplating: Nickel all over  
Contact Area: See Ordering Grid

**Electrical**

Current Rating: 1 Amp Per Pin  
Contact Resistance: 20 mΩ max.  
Insulating Resistance: 1000 MΩ min.  
Dielectric Withstand Voltage: 300V AC

**Soldering Process:**

IR Reflow: 260°C for 10 sec.  
Wave: 250°C for 5-10 sec  
Manual Solder: 350°C for 3-5 sec

**Mechanical & Environmental**

Operating Temperature: -40°C to +105°C

**Mates with (Subject to pin length)**

BD069 BD076

BD069 Recommended mating length 2.00mm

**Ordering Grid**



No. of Contacts  
02 to 50

**Contact Plating**

A = Gold Flash All Over (Standard)  
B = Selective Gold Flash Contact Area/Tin On Tail  
C = Tin All Over  
G = 10µ" Gold Contact Area/Tin On Tail  
I = 30µ" Gold Contact Area/Tin On Tail

**Dimension E (Insulator Height)**

J = 1.40mm (Standard)  
G = 1.70mm  
E = 2.54mm  
F = 3.0mm

**Packing Options**  
G = Plastic Box (Standard)  
B = Tape & Reel with Cap  
D = Tube  
E = Tube with Cap  
Insulator Material  
L = LCP

**Dimension D (1/100mm) (Tail Length)**

0300 = 3.00mm (Standard)  
or specify Custom Tail Length  
eg 0250 = 2.50mm  
(Minimum 0050=0.50mm)  
(Maximum - See Table)

**Dimension C (1/100mm) (Post Height)**

0200 = 2.00mm (Standard)  
0350 = 3.50mm (Standard)  
or specify Custom Post Height  
eg 0250 = 2.50mm  
(Minimum 0050=0.50mm)  
(Maximum - See Table)

Part Number		Product Description	
BD020		1.27mm Pitch Pin Header	
Drawing Date		Single Row, Through-Hole, Vertical	
28th December 2007			
By	CC	Tolerances (Except as Noted)	Units:
Detail	BD020 F PCN	Length X. ± 0.30 XX ± 0.20 X.XX ± 0.15 X.XXX ± 0.10	Metric (mm)
Revision	F6	Angle X° ± 5° X.X° ± 2° X.XX° ± 1°	
Date	13/02/20	X.XXX° ± 0.5°	



This drawing is confidential and copyright of Global Connector Technology, Ltd (GCT). This drawing must not be copied or disclosed without written consent. E & OE



www.gct.co

Not to Scale Drawn By AJO Sheet No. 1/1