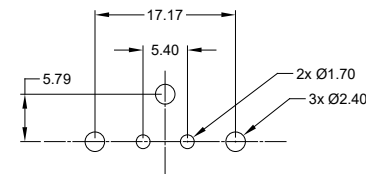


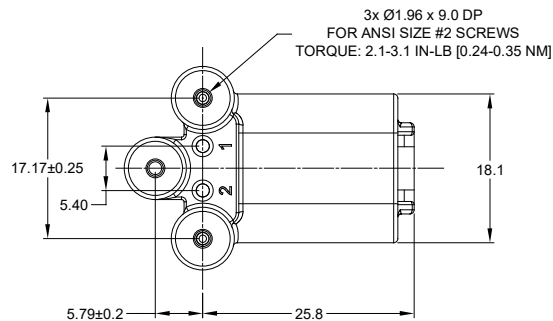
ATF13-2P-BM3X VARIANTS	
CONTACT PLATING	PART NUMBER
GOLD	ATF13-2P-BM31
TIN	ATF13-2P-BM33



RECOMMENDED PCB LAYOUT

NOTES: UNLESS OTHERWISE SPECIFIED

- MATERIAL:**  
HOUSING: THERMOPLASTIC; COLOR: BLACK  
CONTACT: COPPER ALLOY  
PLATING: NICKEL UNDERPLATE  
SEE CHART FOR OVERALL FINISH
- MODIFICATIONS:** RIGHT ANGLE PCB MOUNT, SCREW BOSS
- SPECIFICATIONS:**
  - CURRENT RATING: 13 AMPS
  - OPERATING TEMPERATURE: -55°C TO +125°C
  - DIELECTRIC WITHSTANDING VOLTAGE: LESS THAN 2 MILLIAMPS CURRENT LEAKAGE @ 1500 VOLTS AC.
  - INSULATION RESISTANCE: 1000 MEGOHMS MIN @ 25°C.
  - MOISTURE RESISTANCE: IP67 ( MATED CONDITION )
  - MATING CYCLE DURABILITY: 100 CYCLES
  - RoHS COMPLIANT
- MATING PART:** AT06-2S\* PLUG  
(\* = MODIFICATIONS AND COLORS)
- ALL DIMENSIONS ARE FOR REFERENCE USE ONLY.**



REVISIONS					
REV	ECO	DESCRIPTION	DATE	BY	APPR
A1	-	RELEASE	25/MAR/19	BROOK	TOMMY
A2	-	MODIFIED DESCRIPTION	12JUL19	BROOK	TOMMY

TITLE: RIGHT ANGLE RECEPT. AT 2 PIN, SCREW BOSS, BOARDLOCK, EXT. HGT  
DWG NO: ATF13-2P-BM3X  
REV: A2  
SH: 1  
OF: 1

SEE PART NUMBER CHART		PART NUMBER	DESCRIPTION	ITEM
QUANTITY		MATERIALS LIST		
UNLESS OTHERWISE SPECIFIED: 1) All dimensions are in metric (mm). 2) Tolerances are as follows: 1 PL DEC ±0.30 2 PL DEC ±0.15 3 PL DEC ±0.08 Fractions ±1/64 Angles ±1°		SIGNATURES	DATE	<p style="text-align: center;"><b>Amphenol</b></p> <p style="text-align: center;">Sine Systems - www.amphenol-sine.com 44724 Morley Drive Clinton Township, MI 48036</p> <p style="text-align: center;">RIGHT ANGLE RECEPTACLE, AT 2 PIN, SCREW BOSS, BOARDLOCK, EXT. HGT</p>
3) Note reference =		DRAWN: BROOKING	12/JUL/19	
MATERIAL SPECIFICATIONS:		CHECKED: ORION LI	12/JUL/19	
PROCESS SPECIFICATIONS:		APPROVAL: TOMMY XIE	12/JUL/19	
NEXT ASSY:		CUSTOMER:	THIS DRAWING IS SUPPLIED FOR INFORMATION ONLY. DESIGN FEATURES, SPECIFICATIONS AND PERFORMANCE DATA SHOWN HEREON ARE THE PROPERTY OF THE AMPHENOL CORPORATION. NO RIGHTS OF REPRODUCTION ARE IMPLIED. ALL DIMENSIONS ARE SUBJECT TO NORMAL MANUFACTURING VARIATIONS.	
SCALE: NONE		SIZE: B	TYPE: C	DWG NO: ATF13-2P-BM3X
SHEET 1 OF 1		REVISION: A2		