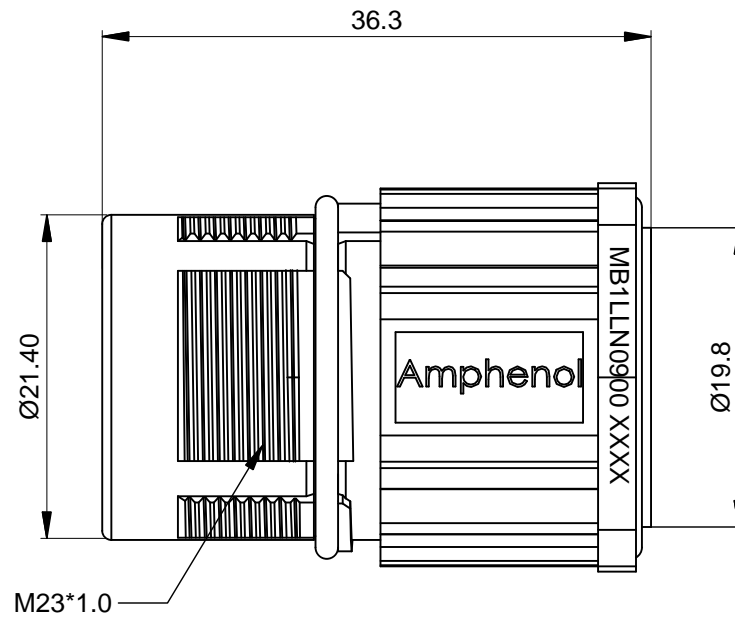
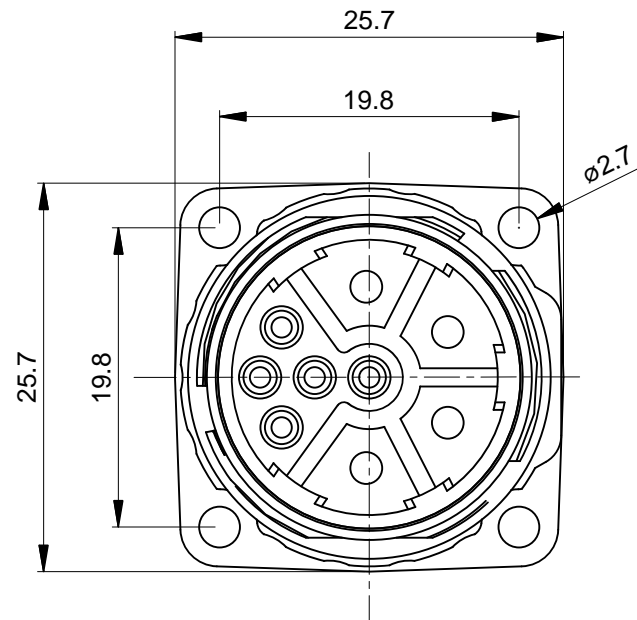


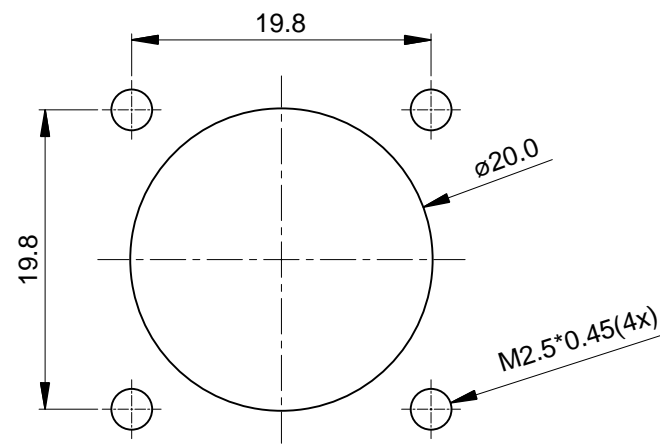
| REVISIONS |     |                        |             |       |       |
|-----------|-----|------------------------|-------------|-------|-------|
| REV       | ECO | DESCRIPTION            | DATE        | BY    | APPR  |
| B1        | -   | RELEASE NEW DWG FORMAT | May.10,2014 | Drack | Tommy |
| B2        | -   | UPDATE TO CHECKMATE    | Jun.11,2014 | Tod   | Tommy |
| B3        | -   | UPDATE THE DURABILITY  | Jun.27,2015 | Drack | Tommy |



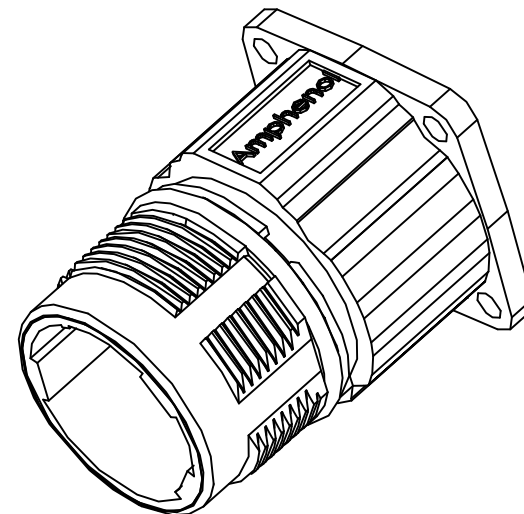
NOTES: UNLESS OTHERWISE SPECIFIED

- MATERIAL:  
INSULATION INSERT: PA66, UL94 V0  
SEAL: VITON  
HOUSING BODY: ZINC DIE CAST, NICKEL PLATED
- SPECIFICATIONS:
  - CURRENT RATING: SIGNAL: 10 AMPS  
POWER: 30AMPS
  - VOLTAGE RATING: SIGNAL: 250V AC/DC  
POWER: 630V AC/DC
  - OPERATING TEMPERATURE: -20°C TO +130°C
  - DIELECTRIC WITHSTANDING VOLTAGE: LESS THAN 2 MILLIAMPS CURRENT LEAKAGE @ SIGNAL: 2500VOLTS AC.  
POWER: 6000 VOLTS AC.
  - DEGREE OF PROTECTION: IP67 ( MATED CONDITION )
  - DEGREE OF POLLUTION: 3 PER UL840
  - OVERVOLTAGE CATEGORY: III PER UL840
  - MATING CYCLE DURABILITY: >500 CYCLES
  - RoHS COMPLIANT

3. ALL DIMENSIONS ARE FOR REFERENCE USE ONLY.



MOUNTING HOLE



| QUANTITY   | SEE PART NUMBER<br>CHART<br>PART NUMBER | DESCRIPTION  | ITEM  |
|--|---|--|---|
| <b>MATERIALS LIST</b>  |   |  |   |
| UNLESS OTHERWISE SPECIFIED<br>1) All dimensions are in metric(mm).<br>2) Tolerances are as follows:<br>1 PL DEC ±0.30<br>2 PL DEC ±0.15<br>3 PL DEC ±0.08<br>Fractions ±1/64<br>Angles ±1°<br>3) Note reference =  X |   | SIGNATURES<br>DRAWN: Drack<br>CHECKED:<br>ENGINEER:<br>APPROVAL:<br>DATE: Jun.27,2015  | <div style="text-align: center;"><h1>Amphenol</h1></div> Sine Systems - www.amphenol-sine.com<br>44724 Morley Drive<br>Clinton Township, MI 48036 |
| MATERIAL SPECIFICATIONS:   |   | CUSTOMER:  | M23B,REC.,STR,9POS(4+5),FLANGE MOUNT,EXTENSION  |
| PROCESS SPECIFICATIONS:  |   | THIS DRAWING IS SUPPLIED FOR INFORMATION ONLY. DESIGN FEATURES, SPECIFICATIONS AND PERFORMANCE DATA SHOWN HEREON ARE THE PROPERTY OF THE AMPHENOL CORPORATION. NO RIGHTS OF REPRODUCTION ARE IMPLIED. ALL DIMENSIONS ARE SUBJECT TO NORMAL MANUFACTURING VARIATIONS. | SIZE: <b>B</b> TYPE: <b>C-</b> DWG NO.: <b>MB1LLN0900</b> REVISION: <b>B3</b>   |
| NEXT ASSY:   |   | SCALE: <b>NONE</b>   | SHEET <b>1</b> OF <b>1</b>  |

TITLE: M23B,REC.,STR,9POS(4+5),FLANGE MOUNT,EXTENSION  
DWG NO: MB1LLN0900  
REV: B3  
SH: 1  
OF: 1