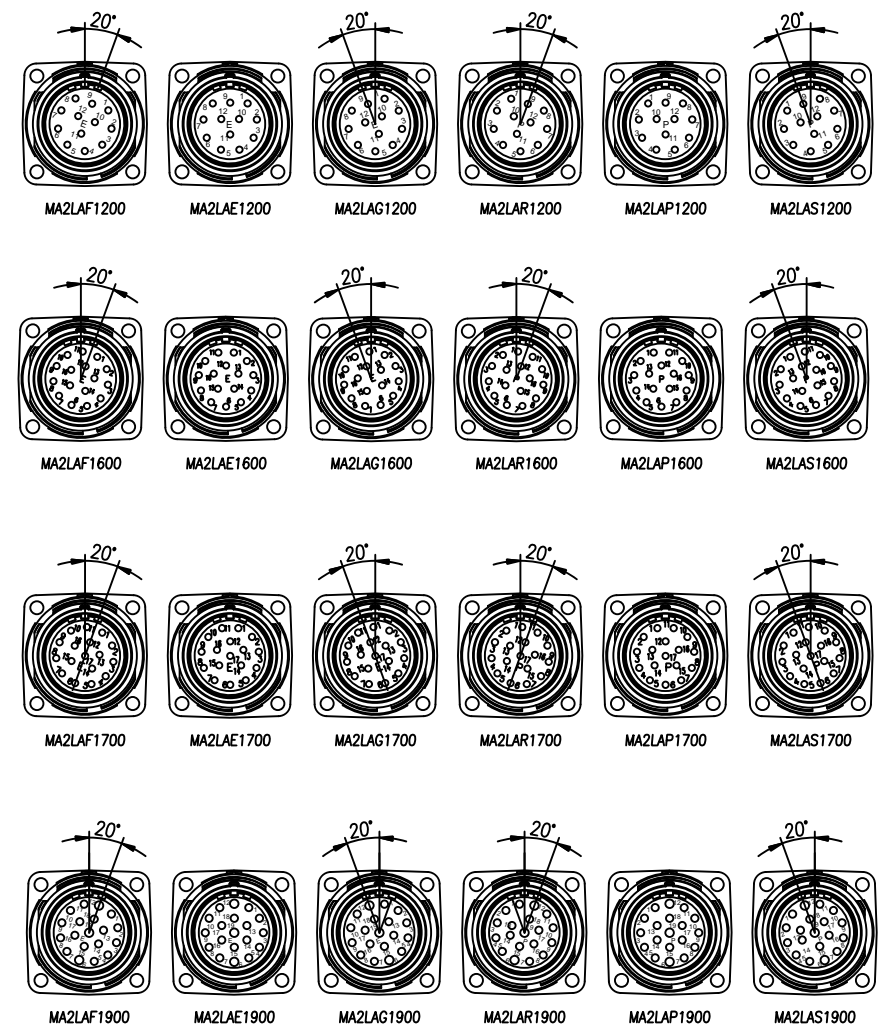
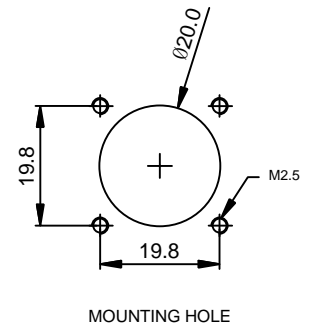
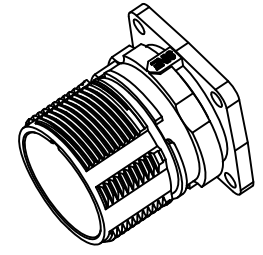
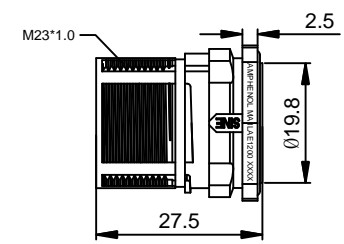
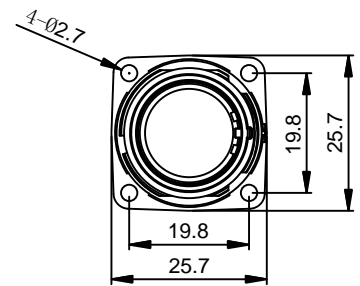


REVISIONS					
REV	ECO	DESCRIPTION	DATE	BY	APPR
A1	-	RELEASE NEW DWG FORMAT	Oct.06,2014	Tod	Tommy
A2	-	UPDATE THE DURABILITY	Jun.27,2015	Drack	Tommy
A3	-	UPDATED	04DEC15	MRF	Tommy



-	MA2LAS1900	M23, RECP, ST, 19POS, P TYPE, KEYED "S"	27
-	MA2LAR1900	M23, RECP, ST, 19POS, P TYPE, KEYED "R"	26
-	MA2LAP1900	M23, RECP, ST, 19POS, P TYPE	25
-	MA2LAG1900	M23, RECP, ST, 19POS, E TYPE, KEYED "G"	24
-	MA2LAF1900	M23, RECP, ST, 19POS, E TYPE, KEYED "F"	23
-	MA2LAE1900	M23, RECP, ST, 19POS, E TYPE	22
-	MA2LAS1700	M23, RECP, ST, 17POS, P TYPE, KEYED "S"	20
-	MA2LAR1700	M23, RECP, ST, 17POS, P TYPE, KEYED "R"	19
-	MA2LAP1700	M23, RECP, ST, 17POS, P TYPE	18
-	MA2LAG1700	M23, RECP, ST, 17POS, E TYPE, KEYED "G"	17
-	MA2LAF1700	M23, RECP, ST, 17POS, E TYPE, KEYED "F"	16
-	MA2LAE1700	M23, RECP, ST, 17POS, E TYPE	15
-	MA2LAS1600	M23, RECP, ST, 16POS, P TYPE, KEYED "S"	13
-	MA2LAR1600	M23, RECP, ST, 16POS, P TYPE, KEYED "R"	12
-	MA2LAP1600	M23, RECP, ST, 16POS, P TYPE	11
-	MA2LAG1600	M23, RECP, ST, 16POS, E TYPE, KEYED "G"	10
-	MA2LAF1600	M23, RECP, ST, 16POS, E TYPE, KEYED "F"	9
-	MA2LAE1600	M23, RECP, ST, 16POS, E TYPE	8
-	MA2LAS1200	M23, RECP, ST, 12POS, P TYPE, KEYED "S"	6
-	MA2LAR1200	M23, RECP, ST, 12POS, P TYPE, KEYED "R"	5
-	MA2LAP1200	M23, RECP, ST, 12POS, P TYPE	4
-	MA2LAG1200	M23, RECP, ST, 12POS, E TYPE, KEYED "G"	3
-	MA2LAF1200	M23, RECP, ST, 12POS, E TYPE, KEYED "F"	2
-	MA2LAE1200	M23, RECP, ST, 12POS, E TYPE	1

QUANTITY	PART NUMBER	DESCRIPTION	ITEM
----------	-------------	-------------	------

**MATERIALS LIST**

UNLESS OTHERWISE SPECIFIED  
 1) All dimensions are in metric(mm).  
 2) Tolerances are as follows:  
 1 PL DEC ±0.30  
 2 PL DEC ±0.15  
 3 PL DEC ±0.08  
 Fractions ±1/64  
 Angles ±1°  
 3) Note reference =

SIGNATURES	DATE
DRAWN: Drack	Jun.27,2015
CHECKED:	
ENGINEER:	
APPROVAL:	

MATERIAL SPECIFICATIONS:

PROCESS SPECIFICATIONS:

NEXT ASSY:

**Amphenol**  
 Sine Systems - www.amphenol-sine.com  
 44724 Morley Drive  
 Clinton Township, MI 48036

M23, RECEPTACLE, STRAIGHT, CHECKMATE

SIZE	TYPE	DWG NO.	REVISION
B	C-	MA2LAXxx00	A3

SCALE: NONE C-MA2LAXxx00 SHEET 1 OF 1

- NOTES: UNLESS OTHERWISE SPECIFIED
- MATERIAL:  
 INSULATION INSERT: PA66,UL94 V0  
 SEAL: VITON  
 HOUSING BODY: ZINC DIE CAST, NICKEL PLATED
  - SPECIFICATIONS:  
 2.1 CURRENT RATING: 10 AMPS - 12 POSITION  
 9 AMPS - 16 POSITION  
 9 AMPS - 17 POSITION  
 7 AMPS - 19 POSITION  
 2.2 VOLTAGE RATING: 160V AC/DC - 12 POSITION  
 125V AC/DC - 16 POSITION  
 125V AC/DC - 17 POSITION  
 63V AC/DC - 19 POSITION  
 2.3 OPERATING TEMPERATURE: -20°C TO +130°C  
 2.4 DIELECTRIC WITHSTANDING VOLTAGE: LESS THAN 2 MILLIAMPS CURRENT LEAKAGE @ 2500 VOLTS AC.  
 2.5 DEGREE OF PROTECTION: IP67 ( MATED CONDITION )  
 2.6 DEGREE OF POLLUTION: 3 PER UL840  
 2.7 OVERVOLTAGE CATEGORY: III PER UL840  
 2.8 MATING CYCLE DURABILITY: >500 CYCLES  
 2.9 RoHS COMPLIANT
  - ALL DIMENSIONS ARE FOR REFERENCE USE ONLY.

TITLE: M23 RECEPTACLE, STRAIGHT, CHECKMATE  
 DWG NO: MA2LAXxx00  
 REV: A3  
 SH: 1  
 OF: 1