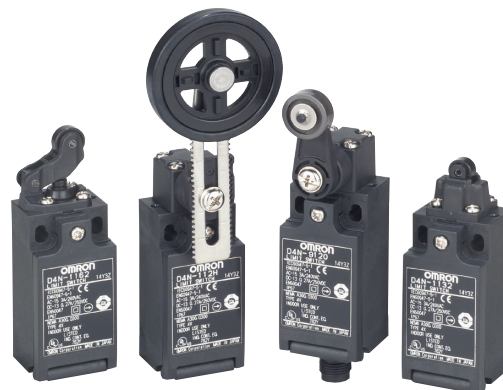


## Popular Safety Limit Switches Providing a Full Lineup Conforming to International Standards

- Lineup includes models with 1NC/1NO, 2NC, 2NC/1NO and 3NC contact forms.  
(Slow-action models with MBB contacts are available.)
- M12-connector models are also available, saving on labor and simplifying replacement.
- Can be used with both standard loads and microloads.
- Conforms to the requirements for safety contacts in EN 115-1, EN 81-20, and EN 81-50 (slow-action models only).
- Certified standards: UL, EN (TÜV), and CCC

 Be sure to read the "Safety Precautions" on page 17.

**Note:** Contact your sales representative for details on models with safety standard certification.



For the most recent information on models that have been certified for safety standards, refer to your OMRON website.

## Model Number Structure

### Model Number Legend

#### 1-Conduit Models

D4N-□□□□  
1 2 3

#### 1. Conduit size

- 1: Pg13.5
- 2: G1/2
- 4: M20
- 9: M12 connector

#### 2. Built-in Switch

- 1: 1NC/1NO (snap-action)
- 2: 2NC (snap-action)
- A: 1NC/1NO (slow-action)
- B: 2NC (slow-action)
- C: 2NC/1NO (slow-action)
- D: 3NC (slow-action)
- E: 1NC/1NO (MBB contact) (slow-action)
- F: 2NC/1NO (MBB contact) (slow-action)

#### 3. Head and Actuator

- 20: Roller lever (resin lever, resin roller)
- 22: Roller lever (metal lever, resin roller)
- 25: Roller lever (metal lever, metal roller)
- 26: Roller lever (metal lever, bearing roller)
- 2G: Adjustable roller lever, form lock (metal lever, resin roller)
- 2H: Adjustable roller lever, form lock (metal lever, rubber roller)
- 31: Plunger
- 32: Roller Plunger
- 62: One-way roller arm lever (horizontal)
- 72: One-way roller arm lever (vertical)
- 80: Cat whisker
- 87: Plastic rod
- RE: Fork lever lock (right operation)
- LE: Fork lever lock (left operation)

#### 2-Conduit Models

D4N-□□□□  
1 2 3

#### 1. Conduit size

- 6: G1/2
- 8: M20

#### 2. Built-in Switch

- 1: 1NC/1NO (snap-action)
- 2: 2NC (snap-action)
- A: 1NC/1NO (slow-action)
- B: 2NC (slow-action)
- C: 2NC/1NO (slow-action)
- D: 3NC (slow-action)
- E: 1NC/1NO (MBB contact) (slow-action)
- F: 2NC/1NO (MBB contact) (slow-action)

#### 3. Head and Actuator











- 20: Roller lever (resin lever, resin roller)
- 22: Roller lever (metal lever, resin roller)
- 25: Roller lever (metal lever, metal roller)
- 26: Roller lever (metal lever, bearing roller)
- 2G: Adjustable roller lever, form lock (metal lever, resin roller)
- 2H: Adjustable roller lever, form lock (metal lever, rubber roller)
- 31: Plunger
- 32: Roller Plunger
- 62: One-way roller arm lever (horizontal)
- 72: One-way roller arm lever (vertical)

## Ordering Information



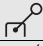







### List of Models

Consult with your OMRON representative when ordering any models that are not listed in this table.





### Switches with Two Contacts (with Direct Opening Mechanism)

Actuator	Conduit size		Built-in switch mechanism							
			1NC/1NO (Snap-action)		2NC (Snap-action)		1NC/1NO (Slow-action)		2NC (Slow-action)	
			Model	Direct opening	Model	Direct opening	Model	Direct opening	Model	Direct opening
Roller lever (resin lever, resin roller) 	1-conduit	Pg13.5	D4N-1120	⊕	D4N-1220	⊕	D4N-1A20	⊕	D4N-1B20	⊕
		G1/2	D4N-2120		D4N-2220		D4N-2A20		D4N-2B20	
		M20	D4N-4120		D4N-4220		D4N-4A20		D4N-4B20	
		M12 connector	D4N-9120		D4N-9220		D4N-9A20		D4N-9B20	
	2-conduit	G1/2	D4N-6120	⊕	D4N-6220	⊕	---	⊕	D4N-6B20	⊕
		M20	D4N-8120		D4N-8220		D4N-8A20		D4N-8B20	
Roller lever (metal lever, resin roller) 	1-conduit	Pg13.5	D4N-1122	⊕	D4N-1222	⊕	D4N-1A22	⊕	D4N-1B22	⊕
		G1/2	D4N-2122		D4N-2222		D4N-2A22		D4N-2B22	
		M20	D4N-4122		D4N-4222		D4N-4A22		D4N-4B22	
		M12 connector	D4N-9122		D4N-9222		D4N-9A22		D4N-9B22	
	2-conduit	G1/2	D4N-6122	⊕	D4N-6222	⊕	D4N-6A22	⊕	D4N-6B22	⊕
		M20	D4N-8122		D4N-8222		D4N-8A22		D4N-8B22	
Roller lever (metal lever, metal roller) 	1-conduit	Pg13.5	D4N-1125	⊕	D4N-1225	⊕	D4N-1A25	⊕	D4N-1B25	⊕
		G1/2	D4N-2125		D4N-2225		D4N-2A25		D4N-2B25	
		M20	D4N-4125		D4N-4225		D4N-4A25		D4N-4B25	
		M12 connector	D4N-9125		D4N-9225		D4N-9A25		D4N-9B25	
Roller lever (metal lever, bearing roller) 	1-conduit	Pg13.5	D4N-1126	⊕	D4N-1226	⊕	D4N-1A26	⊕	---	⊕
		G1/2	D4N-2126		D4N-2226		D4N-2A26		D4N-2B26	
		M20	D4N-4126		D4N-4226		D4N-4A26		D4N-4B26	
		M12 connector	D4N-9126		D4N-9226		D4N-9A26		---	
Adjustable roller lever, form lock (metal lever, resin roller) 	1-conduit	Pg13.5	D4N-112G	⊕	D4N-122G	⊕	D4N-1A2G	⊕	D4N-1B2G	⊕
		G1/2	D4N-212G		D4N-222G		D4N-2A2G		D4N-2B2G	
		M20	D4N-412G		D4N-422G		D4N-4A2G		D4N-4B2G	
		M12 connector	D4N-912G		D4N-922G		D4N-9A2G		D4N-9B2G	
	2-conduit	G1/2	D4N-612G	⊕	D4N-622G	⊕	D4N-6A2G	⊕	D4N-6B2G	⊕
		M20	D4N-812G		---		---		D4N-8B2G	
Adjustable roller lever, form lock (metal lever, rubber roller) 	1-conduit	Pg13.5	D4N-112H	⊕	D4N-122H	⊕	D4N-1A2H	⊕	D4N-1B2H	⊕
		G1/2	D4N-212H		D4N-222H		D4N-2A2H		D4N-2B2H	
		M20	D4N-412H		D4N-422H		D4N-4A2H		D4N-4B2H	
		M12 connector	D4N-912H		D4N-922H		D4N-9A2H		---	
	2-conduit	G1/2	D4N-612H	⊕	---	⊕	D4N-6A2H	⊕	---	⊕
		M20	D4N-812H		D4N-822H		D4N-8A2H		D4N-8B2H	
Plunger 	1-conduit	Pg13.5	D4N-1131	⊕	D4N-1231	⊕	D4N-1A31	⊕	D4N-1B31	⊕
		G1/2	D4N-2131		D4N-2231		D4N-2A31		D4N-2B31	
		M20	D4N-4131		D4N-4231		D4N-4A31		D4N-4B31	
		M12 connector	D4N-9131		D4N-9231		D4N-9A31		D4N-9B31	
	2-conduit	G1/2	D4N-6131	⊕	D4N-6231	⊕	D4N-6A31	⊕	D4N-6B31	⊕
		M20	D4N-8131		D4N-8231		D4N-8A31		D4N-8B31	
Roller plunger 	1-conduit	Pg13.5	D4N-1132	⊕	D4N-1232	⊕	D4N-1A32	⊕	D4N-1B32	⊕
		G1/2	D4N-2132		D4N-2232		D4N-2A32		D4N-2B32	
		M20	D4N-4132		D4N-4232		D4N-4A32		D4N-4B32	
		M12 connector	D4N-9132		D4N-9232		D4N-9A32		D4N-9B32	
	2-conduit	G1/2	D4N-6132	⊕	D4N-6232	⊕	D4N-6A32	⊕	D4N-6B32	⊕
		M20	D4N-8132		D4N-8232		D4N-8A32		D4N-8B32	
One-way roller arm lever (horizontal) 	1-conduit	Pg13.5	D4N-1162	⊕	D4N-1262	⊕	D4N-1A62	⊕	D4N-1B62	⊕
		G1/2	D4N-2162		D4N-2262		D4N-2A62		D4N-2B62	
		M20	D4N-4162		D4N-4262		D4N-4A62		D4N-4B62	
		M12 connector	D4N-9162		D4N-9262		D4N-9A62		D4N-9B62	
	2-conduit	G1/2	D4N-6162	⊕	D4N-6262	⊕	D4N-6A62	⊕	D4N-6B62	⊕
		M20	D4N-8162		D4N-8262		D4N-8A62		D4N-8B62	
One-way roller arm lever (vertical) 	1-conduit	Pg13.5	D4N-1172	⊕	D4N-1272	⊕	D4N-1A72	⊕	D4N-1B72	⊕
		G1/2	D4N-2172		D4N-2272		D4N-2A72		D4N-2B72	
		M20	D4N-4172		D4N-4272		D4N-4A72		D4N-4B72	
		M12 connector	D4N-9172		D4N-9272		D4N-9A72		D4N-9B72	
	2-conduit	G1/2	D4N-6172	⊕	---	⊕	---	⊕	---	⊕
		M20	D4N-8172		---		---		D4N-8B72	

**Switches with Three Contacts and MBB Contacts (with Direct Opening Mechanism)**





Actuator	Conduit size		Built-in switch mechanism								
			2NC/1NO (Slow-action)		3NC (Slow-action)		1NC/1NO MBB (Slow-action)		2NC/1NO MBB (Slow-action)		
			Model	Direct opening	Model	Direct opening	Model	Direct opening	Model	Direct opening	
Roller lever (resin lever, resin roller) 	1-conduit	Pg13.5	D4N-1C20	⊕	D4N-1D20	⊖	---		D4N-1F20	⊕	
		G1/2	D4N-2C20		D4N-2D20		D4N-2E20	D4N-2F20			
		M20	D4N-4C20		D4N-4D20		D4N-4E20	D4N-4F20			
	2-conduit	G1/2	D4N-6C20	⊕	D4N-6D20	⊖	---		D4N-6F20	⊕	
M20		D4N-8C20	---		---						
Roller lever (metal lever, resin roller) 	1-conduit	Pg13.5	D4N-1C22	⊕	D4N-1D22	⊖	D4N-1E22	⊕	---		
		G1/2	D4N-2C22		D4N-2D22		---		D4N-2F22	⊕	
		M20	D4N-4C22		D4N-4D22		D4N-4E22		⊕		D4N-4F22
	2-conduit	G1/2	D4N-6C22	⊕	D4N-6D22	⊖	---		---		
		M20	D4N-8C22		---		---		D4N-8F22	⊕	
			---		---		---				
Roller lever (metal lever, metal roller) 	1-conduit	Pg13.5	D4N-1C25	⊕	D4N-1D25	⊖	---		---		
		G1/2	D4N-2C25		D4N-2D25		⊕	D4N-2E25	⊕	D4N-2F25	⊕
		M20	D4N-4C25		D4N-4D25			---		D4N-4F25	
Roller lever (metal lever, bearing roller) 	1-conduit	Pg13.5	D4N-1C26	⊕	D4N-1D26	⊖	---		D4N-1F26	⊕	
		G1/2	D4N-2C26		D4N-2D26		---		D4N-2F26		
		M20	D4N-4C26		D4N-4D26		---		D4N-4F26		
Adjustable roller lever, form lock (metal lever, resin roller) 	1-conduit	Pg13.5	D4N-1C2G	⊕	D4N-1D2G	⊖	---		---		
		G1/2	D4N-2C2G		D4N-2D2G		⊕	D4N-2E2G	⊕	D4N-2F2G	⊕
		M20	D4N-4C2G		D4N-4D2G			D4N-4E2G		D4N-4F2G	
	2-conduit	G1/2	D4N-6C2G	⊕	D4N-6D2G	⊖	---		---		
M20		D4N-8C2G	---		---						
Adjustable roller lever, form lock (metal lever, rubber roller) 	1-conduit	Pg13.5	D4N-1C2H	⊕	D4N-1D2H	⊖	---		---		
		G1/2	D4N-2C2H		D4N-2D2H		---		---		
		M20	D4N-4C2H		---		D4N-4F2H	⊕			
Plunger 	1-conduit	Pg13.5	D4N-1C31	⊕	D4N-1D31	⊖	---		D4N-1F31	⊕	
		G1/2	D4N-2C31		D4N-2D31		⊕	D4N-2E31	⊕		D4N-2F31
		M20	D4N-4C31		D4N-4D31			D4N-4E31			D4N-4F31
	2-conduit	G1/2	D4N-6C31	⊕	---		D4N-6E31	⊕	D4N-6F31	⊕	
M20		D4N-8C31	D4N-8D31		⊖	---			D4N-8F31		
Roller plunger 	1-conduit	Pg13.5	D4N-1C32	⊕	D4N-1D32	⊖	D4N-1E32	⊕	D4N-1F32	⊕	
		G1/2	D4N-2C32		D4N-2D32		D4N-2E32		⊕		D4N-2F32
		M20	D4N-4C32		D4N-4D32		D4N-4E32				D4N-4F32
	2-conduit	G1/2	D4N-6C32	⊕	D4N-6D32	⊖	D4N-6E32	⊕	---		
		M20	D4N-8C32		D4N-8D32		---		D4N-8F32	⊕	
One-way roller arm lever (horizontal) 	1-conduit	Pg13.5	D4N-1C62	⊕	D4N-1D62	⊖	D4N-1E62	⊕	---		
		G1/2	D4N-2C62		D4N-2D62		---		D4N-2F62	⊕	
		M20	D4N-4C62		D4N-4D62		D4N-4E62		⊕		D4N-4F62
	2-conduit	G1/2	D4N-6C62	⊕	D4N-6D62	⊖	---		D4N-6F62	⊕	
		M20	D4N-8C62		D4N-8D62		---		---		
One-way roller arm lever (vertical) 	1-conduit	Pg13.5	D4N-1C72	⊕	D4N-1D72	⊖	D4N-1E72	⊕	---		
		G1/2	D4N-2C72		D4N-2D72		---		D4N-2F72	⊕	
		M20	D4N-4C72		D4N-4D72		---		---		
	2-conduit	M20	D4N-8C72	⊕	D4N-8D72	⊖	---		---		

## General-purpose Switches with Two Contacts

Actuator	Conduit size		Built-in switch mechanism																	
			1NC/1NO (Snap-action)		2NC (Snap-action)		1NC/1NO (Slow-action)		2NC (Slow-action)											
			Model	Direct opening	Model	Direct opening	Model	Direct opening	Model	Direct opening										
Fork lever lock (right operation) 	1-conduit	G1/2	---	---	---	---	---	---	---	D4N-2ARE	---	D4N-2BRE	---							
		M20								D4N-4ARE		D4N-4BRE								
Fork lever lock (left operation) 		G1/2								D4N-2ALE		D4N-2BLE								
		M20								D4N-4ALE		D4N-4BLE								
Cat whisker 		G1/2								D4N-2180		---		D4N-2280	---	---	---	---	D4N-2B80	---
		M20								D4N-4180				D4N-4280					D4N-4B80	
Plastic rod 		G1/2								D4N-2187		---		D4N-2287	---	---	---	---	D4N-2B87	---
		M20								D4N-4187				D4N-4287					D4N-4B87	

**Note:** Mechanically speaking, these models are general-purpose switches with no direct opening mechanism.

## General-purpose Switches with Three Contacts and MBB Contacts

Actuator	Conduit size		Built-in switch mechanism														
			2NC/1NO (Slow-action)		3NC (Slow-action)		1NC/1NO MBB (Slow-action)		2NC/1NO MBB (Slow-action)								
			Model	Direct opening	Model	Direct opening	Model	Direct opening	Model	Direct opening							
Fork lever lock (right operation) 	1-conduit	G1/2	D4N-2CRE	---	---	---	---	---	---	D4N-2FRE	---						
		M20	D4N-4CRE							D4N-4DRE		D4N-4ERE	D4N-4FRE				
Fork lever lock (left operation) 		G1/2	D4N-2CLE							---		D4N-4DLE	---	D4N-4ELE	---	D4N-2FLE	---
		M20	D4N-4CLE									D4N-4ELE		---			
Cat whisker 		G1/2	---							---		D4N-2D80	---	---	---	---	---
		M20										D4N-4D80					
Plastic rod 		G1/2	---							---		D4N-2D87	---	---	---	---	---
		M20										D4N-4D87					

**Note:** Mechanically speaking, these models are general-purpose switches with no direct opening mechanism.

## Specifications

### Standards and EC Directives

Conforms to the following EC Directives:

- Machinery Directive
- Low Voltage Directive
- EN50047
- EN60204-1
- EN ISO 14119
- GS-ET-15

### Certified Standards

Certification body	Standard	File No.
TÜV SÜD	EN60947-5-1 (certified direct opening)	*1
UL *2	UL508, CSA C22.2 No.14	E76675
CQC (CCC) *3	GB/T14048.5	*1

\*1. Consult your OMRON representative for details.

\*2. Certification for CSA C22.2 No. 14 is authorized by the UL mark.

\*3. Ask your OMRON representative for information on certified models.

### Certified Standard Ratings

TÜV (EN60947-5-1), CCC (GB/T14048.5)

Item	Utilization category	AC-15	DC-13
Rated operating current ( $I_e$ )		3 A	0.27 A
Rated operating voltage ( $U_e$ )		240 V	250 V

**Note:** Use a 10 A fuse type gI or gG that conforms to IEC60269 as a short-circuit protection device. This fuse is not built into the Switch.

### UL/CSA (UL508, CSA C22.2 No. 14)

#### A300

Rated voltage	Carry current	Current (A)		Volt-amperes (VA)	
		Make	Break	Make	Break
120 VAC	10 A	60	6	7,200	720
240 VAC		30	3		

#### Q300

Rated voltage	Carry current	Current (A)		Volt-amperes (VA)	
		Make	Break	Make	Break
125 VDC	2.5 A	0.55	0.55	69	69
250 VDC		0.27	0.27		

## Characteristics

<b>Degree of protection *1</b>		IP67 (EN60947-5-1)
<b>Durability *2</b>	<b>Mechanical</b>	15,000,000 operations min. *5
	<b>Electrical</b>	500,000 operations min. (3 A resistive load at 250 VAC) *3 300,000 operations min. (10 A resistive load at 250 VAC)
<b>Operating speed</b>		1 to 500 mm/s (D4N-1120)
<b>Operating frequency</b>		30 operations/minute max.
<b>Contact resistance</b>		25 mΩ max.
<b>Minimum applicable load *4</b>		1 mA resistive load at 5 VDC (N-level reference value)
<b>Rated insulation voltage (U<sub>i</sub>)</b>		300 V
<b>Rated frequency</b>		50/60 Hz
<b>Protection against electric shock</b>		Class II (double insulation)
<b>Pollution degree (operating environment)</b>		3 (EN60947-5-1)
<b>Impulse withstand voltage (EN60947-5-1)</b>	<b>Between terminals of same polarity</b>	2.5 kV
	<b>Between terminals of different polarity</b>	4 kV
	<b>Between each terminal and non-current carrying metallic parts</b>	6 kV
<b>Insulation resistance</b>		100 MΩ min.
<b>Contact gap</b>		Snap-action: 2 × 0.5 mm min. Slow-action: 2 × 2 mm min.
<b>Vibration resistance</b>	<b>Malfunction</b>	10 to 55 Hz, 0.75 mm single amplitude
<b>Shock resistance</b>	<b>Destruction</b>	1,000 m/s <sup>2</sup> min.
	<b>Malfunction</b>	300 m/s <sup>2</sup> min.
<b>Conditional short-circuit current</b>		100 A (EN60947-5-1)
<b>Conventional free air thermal current (I<sub>th</sub>)</b>		10 A (EN60947-5-1)
<b>Ambient operating temperature</b>		-30 to 70°C (with no icing)
<b>Ambient operating humidity</b>		95% max.
<b>Weight</b>		Approx. 82 g (D4N-1120) Approx. 99 g (D4N-6120)

**Note: 1.** The above values are initial values.

**2.** Once a contact has been used to switch a standard load, it cannot be used for a load of a smaller capacity.

Doing so may result in roughening of the contact surface and contact reliability may be lost.

**\*1.** The degree of protection is tested using the method specified by the standard (EN60947-5-1). Confirm that sealing properties are sufficient for the operating conditions and environment beforehand. Although the switch box is protected from dust or water penetration, do not use the D4N in places where foreign material such as dust, dirt, oil, water, or chemicals may penetrate through the head. Otherwise, accelerated wear, switch damage or malfunctioning may occur.

**\*2.** The durability is for an ambient temperature of 5 to 35°C and an ambient humidity of 40% to 70%. For more details, consult your OMRON representative.

**\*3.** Do not pass the 3 A, 250 VAC load through more than 2 circuits.

**\*4.** This value will vary with the switching frequency, environment, and reliability level. Confirm that correct operation is possible with the actual load beforehand.

**\*5.** The mechanical durability of fork lever lock models is 10,000,000 operations min.

# Structure and Nomenclature

## Structure

**Safety-oriented Lever Setting (Form-lock construction)**  
Grooves which engage the lever are cut in the lever and rotary shaft to prevent the lever from slipping against the rotary shaft.  
There are resin-lever and metal-lever types.

**Head**  
The direction of the switch head can be varied to any of the four directions. (Roller plunger models can be mounted in either of two directions at a 90° angle.)

**Built-in Switch**  
The built-in switch has a direct opening mechanism that forcibly separates the NC contact even when there is contact deposit.

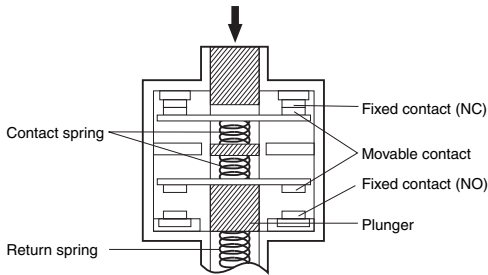
**Cover**  
The cover, with a hinge on its lower part, can be opened by removing the screw of the cover, which ensures ease of maintenance and wiring.

**Conduit Opening**  
A wide variety of conduits is available.

Size	Box	1-conduit	2-conduit
Pg13.5		Yes	---
G1/2		Yes	Yes
M20		Yes	Yes
M12 connector		Yes	---

**Note:** M12 connector types are not available for Switches with three contacts.

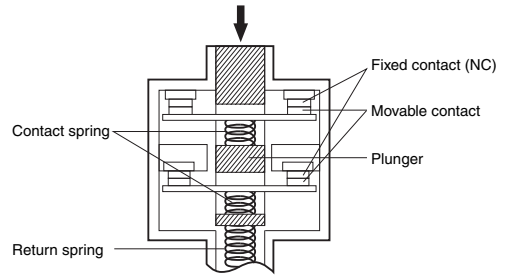
### Direct Opening Mechanism 1NC/1NO Contact (Slow-action)



Conforms to EN60947-5-1 Direct Opening Operation ⊖

(Only the NC contact side has a direct opening mechanism.)  
When contact welding occurs, the contacts are separated from each other by the plunger being pushed in.

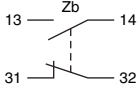
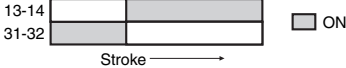
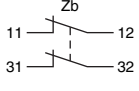
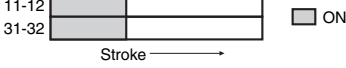
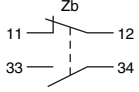
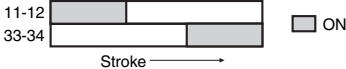
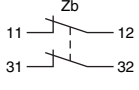
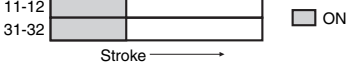
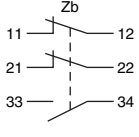
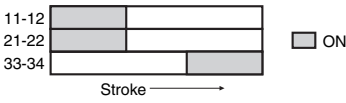
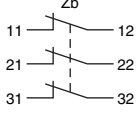
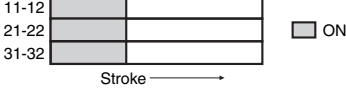
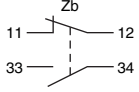
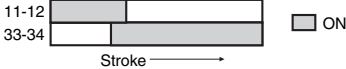
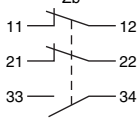

### 2NC Contact (Slow-action)



Conforms to EN60947-5-1 Direct Opening Operation ⊖

(Both NC contacts have a direct opening mechanism.)  
When contact welding occurs, the contacts are separated from each other by the plunger being pushed in.

## Contact Form

Model	Contact	Contact form	Operating pattern	Remarks
D4N-□1□	1NC/1NO (Snap-action)			Only NC contacts 31-32 have a certified direct opening mechanism. (→)  The terminals 13-14 and 31-32 can be used as unlike poles.
D4N-□2□	2NC (Snap-action)			Only NC contacts 11-12 and 31-32 have a certified direct opening mechanism. (→)  The terminals 11-12 and 31-32 can be used as unlike poles.
D4N-□A□	1NC/1NO (Slow-action)			Only NC contacts 11-12 have a certified direct opening mechanism. (→)  The terminals 11-12 and 33-34 can be used as unlike poles.
D4N-□B□	2NC (Slow-action)			Only NC contacts 11-12 and 31-32 have a certified direct opening mechanism. (→)  The terminals 11-12 and 31-32 can be used as unlike poles.
D4N-□C□	2NC/1NO (Slow-action)			Only NC contacts 11-12 and 21-22 have a certified direct opening mechanism. (→)  The terminals 11-12, 21-22, and 33-34 can be used as unlike poles.
D4N-□D□	3NC (Slow-action)			Only NC contacts 11-12, 21-22, and 31-32 have a certified direct opening mechanism. (→)  The terminals 11-12, 21-22, and 31-32 can be used as unlike poles.
D4N-□E□	1NC/1NO MBB * (Slow-action)			Only NC contacts 11-12 have a certified direct opening mechanism. (→)  The terminals 11-12 and 33-34 can be used as unlike poles.
D4N-□F□	2NC/1NO MBB * (Slow-action)			Only NC contacts 11-12 and 21-22 have a certified direct opening mechanism. (→)  The terminals 11-12, 21-22 and 33-34 can be used as unlike poles.

**Note:** The terminal numbers are according to EN 50013 and the contact symbols are according to EN 60947-5-1.

\* MBB (Make Before Break) contacts have an overlapping structure, so that before the normally closed contact (NC) opens, the normally open contact (NO) closes.



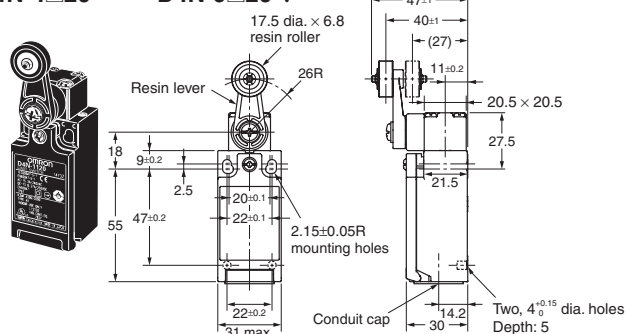
# Dimensions and Operating Characteristics

## Switches

### 1-conduit Models

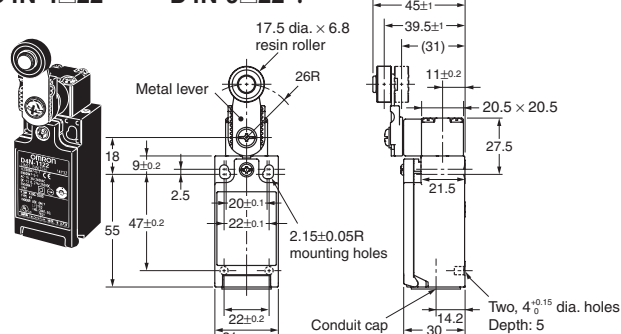
#### Roller Lever (Resin Lever, Resin Roller)

D4N-1□20 D4N-2□20  
D4N-4□20 D4N-9□20 \*



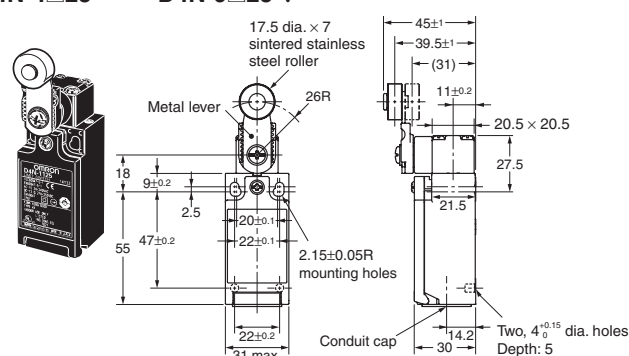
#### Roller Lever (Metal Lever, Resin Roller)

D4N-1□22 D4N-2□22  
D4N-4□22 D4N-9□22 \*



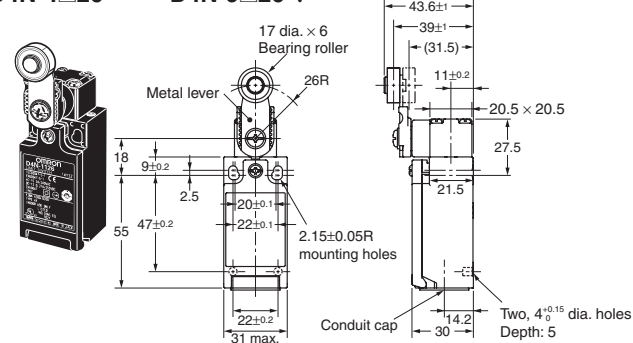
#### Roller Lever (Metal Lever, Metal Roller)

D4N-1□25 D4N-2□25  
D4N-4□25 D4N-9□25 \*



#### Roller Lever (Metal Lever, Bearing Roller)

D4N-1□26 D4N-2□26  
D4N-4□26 D4N-9□26 \*



**Note:** Unless otherwise specified, a tolerance of  $\pm 0.4$  mm applies to all dimensions.  
\* Refer to page 12 for details on M12 connectors.

### Snap-action (1NC/1NO) (2NC), Slow-action (2NC) (3NC)

Model	D4N-□120	D4N-□122	D4N-□125	D4N-□126
	D4N-□220	D4N-□222	D4N-□225	D4N-□226
	D4N-□B20	D4N-□B22	D4N-□B25	D4N-□B26
	D4N-□D20	D4N-□D22	D4N-□D25	D4N-□D26
<b>Operating characteristics</b>				
<b>Operating force</b>	OF max.	5.0 N		
<b>Release force</b>	RF min.	0.5 N		
<b>Pretravel</b>	PT	18° to 27°		
<b>Overtravel</b>	OT min.	40°		
<b>Movement differential</b>	MD max. *1	14°		
<b>Operating position</b>	OP	---		
<b>Total travel</b>	TT *2	(80°)		
<b>Direct opening travel</b>	DOT min. *3	50°		
<b>Direct opening force</b>	DOF min. *3	20 N		

**Note:** Variation occurs in the simultaneity of contact opening/closing operations of 2NC, 2NC/1NO, and 3NC contacts. Check contact operation.

\*1. Only for snap-action models.

\*2. Reference value.

\*3. For safe use, always make sure that the minimum values or greater are provided.

### Slow-action (1NC/1NO) (2NC/1NO)

Model	D4N-□A20	D4N-□A22	D4N-□A25	D4N-□A26
	D4N-□C20	D4N-□C22	D4N-□C25	D4N-□C26
	D4N-□E20	D4N-□E22	D4N-□E25	D4N-□E26
	D4N-□F20	D4N-□F22	D4N-□F25	D4N-□F26
<b>Operating characteristics</b>				
<b>Operating force</b>	OF max.	5.0 N		
<b>Release force</b>	RF min.	0.5 N		
	PT (NC)	18° to 27°		
	PT (NO) *1	(44°)		
	PT (NC) *2	27.5° to 36.5°		
	PT (NO) *1, *2	(18°)		
<b>Overtravel</b>	OT min.	40°		
<b>Operating position</b>	OP	---		
<b>Total travel</b>	TT *1	(80°)		
<b>Direct opening travel</b>	DOT min. *3	50°		
<b>Direct opening force</b>	DOF min. *3	20 N		

\*1. Reference values.

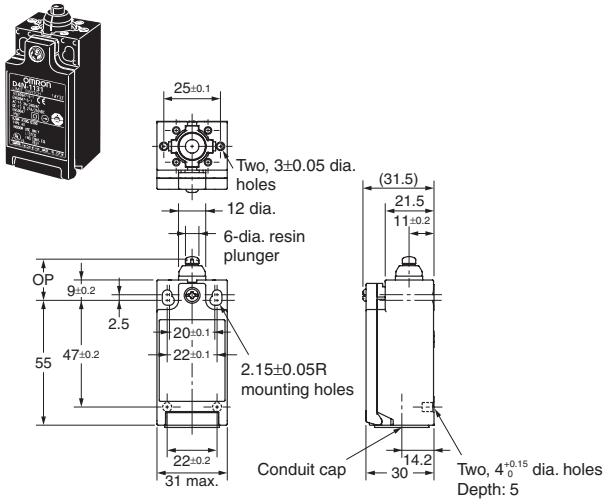
\*2. Only for MBB models. (D4N-□E□□ or D4N-□F□□)

\*3. For safe use, always make sure that the minimum values or greater are provided.

1-conduit Models

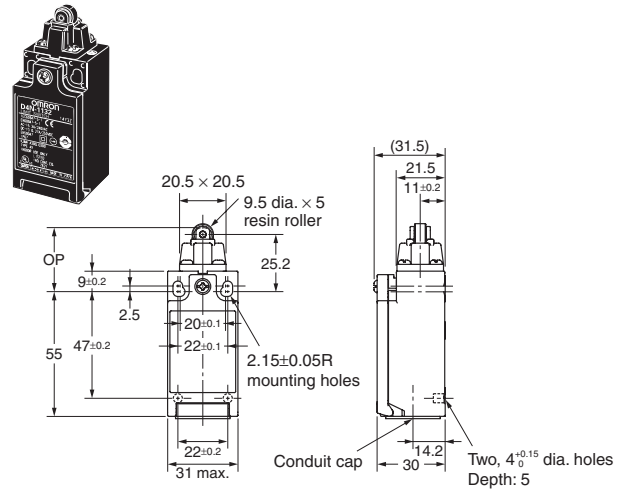
Plunger  
D4N-1□31  
D4N-4□31

D4N-2□31  
D4N-9□31 \*



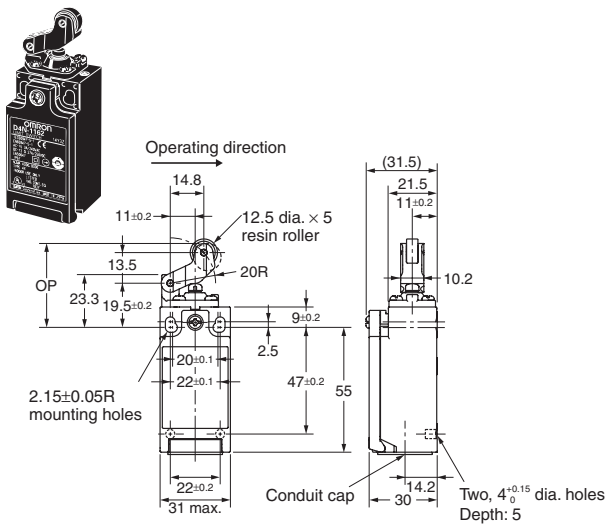
Roller Plunger  
D4N-1□32  
D4N-4□32

D4N-2□32  
D4N-9□32 \*



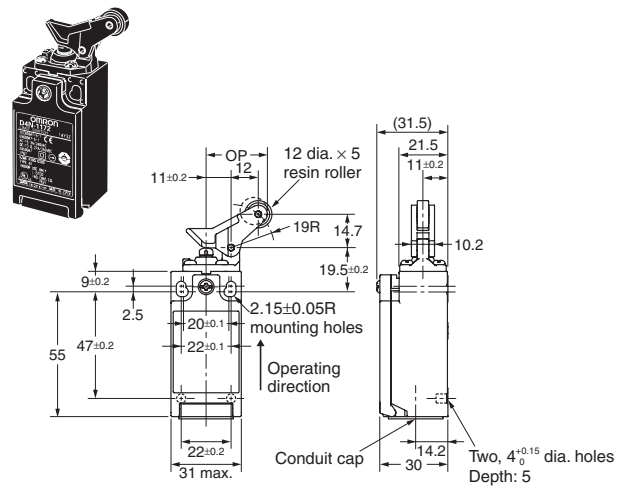
One-way Roller Arm Lever  
(Horizontal)  
D4N-1□62  
D4N-4□62

D4N-2□62  
D4N-9□62 \*



One-way Roller Arm Lever  
(Vertical)  
D4N-1□72  
D4N-4□72

D4N-2□72  
D4N-9□72 \*



Note: Unless otherwise specified, a tolerance of ±0.4 mm applies to all dimensions.

\* Refer to page 12 for details on M12 connectors.

## Snap-action (1NC/1NO) (2NC), Slow-action (2NC) (3NC)

Model		D4N-□131 D4N-□231 D4N-□B31 D4N-□D31	D4N-□132 D4N-□232 D4N-□B32 D4N-□D32	D4N-□162 D4N-□262 D4N-□B62 D4N-□D62	D4N-□172 D4N-□272 D4N-□B72 D4N-□D72
<b>Operating characteristics</b>					
Operating force	OF max.	6.5 N	6.5 N	5.0 N	5.0 N
Release force	RF min.	1.5 N	1.5 N	0.8 N	0.8 N
Pretravel	PT max.	2 mm	2 mm	4 mm	4 mm
Overtravel	OT min.	4 mm	4 mm	5 mm	5 mm
Movement differential	MD max. *1	1 mm	1 mm	1.5 mm	1.5 mm
Operating position	OP	18.2 ±0.5 mm	28.6 ±0.8 mm	37 ±0.8 mm	27 ±0.8 mm
Total travel	TT *2	(6 mm)	(6 mm)	(9 mm)	(9 mm)
Direct opening travel	DOT min. *3	3.2 mm	3.2 mm	5.8 mm	4.8 mm
Direct opening force	DOF min. *3	20 N	20 N	20 N	20 N

**Note:** Variation occurs in the simultaneity of contact opening/closing operations of 2NC, 2NC/1NO, and 3NC contacts. Check contact operation.

\*1. Only for snap-action models.

\*2. Reference value.

\*3. For safe use, always make sure that the minimum values or greater are provided.

## Slow-action (1NC/1NO) (2NC/1NO)

Model		D4N-□A31 D4N-□C31 D4N-□E31 D4N-□F31	D4N-□A32 D4N-□C32 D4N-□E32 D4N-□F32	D4N-□A62 D4N-□C62 D4N-□E62 D4N-□F62	D4N-□A72 D4N-□C72 D4N-□E72 D4N-□F72
<b>Operating characteristics</b>					
Operating force	OF max.	6.5 N	6.5 N	5.0 N	5.0 N
Release force	RF min.	1.5 N	1.5 N	0.8 N	0.8 N
Pretravel	PT max. (NC)	2 mm	2 mm	4 mm	4 mm
	PT (NO) *1	(2.9 mm)	(2.9 mm)	(5.2 mm)	(4.3 mm)
	PT max. (NC) *2	2.8 mm	2.8 mm	4 mm	4 mm
	PT (NO) *1, *2	(1 mm)	(1 mm)	(1.5 mm)	(1.5 mm)
Overtravel	OT min.	4 mm	4 mm	5 mm	5 mm
Operating position	OP	18.2 ±0.5 mm	28.6 ±0.8 mm	37 ±0.8 mm	27 ±0.8 mm
	OP *2	17.4 ±0.5 mm	28 ±0.8 mm	36 ±0.8 mm	26.1 ±0.8 mm
Total travel	TT *1	(6 mm)	(6 mm)	(9 mm)	(9 mm)
Direct opening travel	DOT min. *3	3.2 mm	3.2 mm	5.8 mm	4.8 mm
Direct opening force	DOF min. *3	20 N	20 N	20 N	20 N

\*1. Reference values.

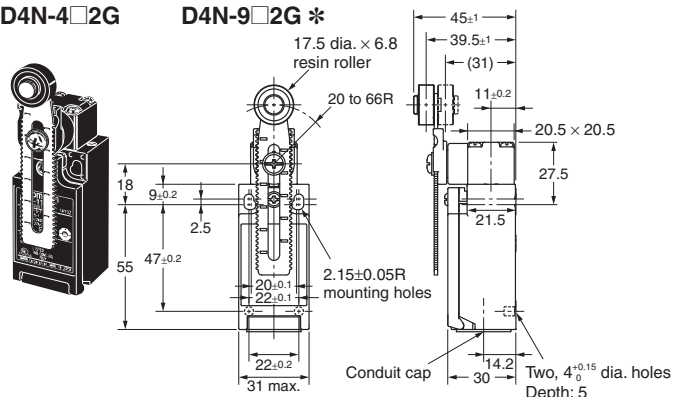
\*2. Only for MBB models. (D4N-□E□□ or D4N-□F□□)

\*3. For safe use, always make sure that the minimum values or greater are provided.

1-conduit Models

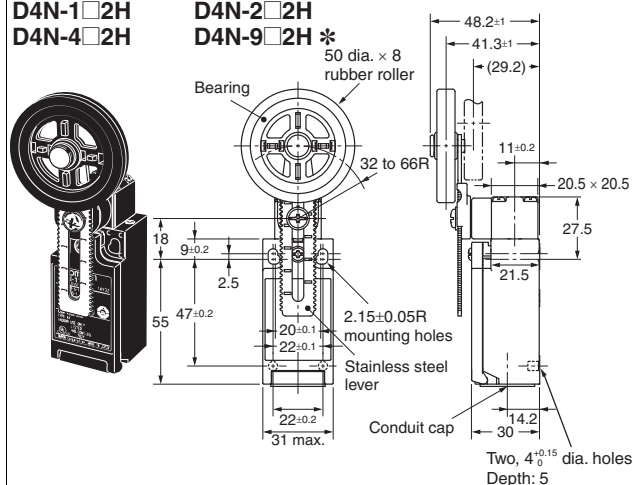
Adjustable Roller Lever, Form Lock  
(with Metal Lever, Resin Roller)

D4N-1□2G    D4N-2□2G  
D4N-4□2G    D4N-9□2G \*



Adjustable Roller Lever, Form Lock  
(with Metal Lever, Rubber Roller)

D4N-1□2H    D4N-2□2H  
D4N-4□2H    D4N-9□2H \*



**Note:** Unless otherwise specified, a tolerance of  $\pm 0.4$  mm applies to all dimensions.  
\* Refer to following diagrams for details on M12 connectors.

Snap-action (1NC/1NO) (2NC), Slow-action (2NC) (3NC)

Model		D4N-□12H D4N-□22H D4N-□B2H D4N-□D2H	D4N-□12G D4N-□22G D4N-□B2G D4N-□D2G *1
<b>Operating characteristics</b>			
Operating force	OF max.	4.5 N	
Release force	RF min.	0.4 N	
Pretravel	PT	18° to 27°	
Overtravel	OT min.	40°	
Movement differential	MD max. *2	14°	
Operating position	OP	---	
Total travel	TT *3	(80°)	
Direct opening travel	DOT min. *4	50°	
Direct opening force	DOF min. *4	20 N	

**Note:** Variation occurs in the simultaneity of contact opening/closing operations of 2NC, 2NC/1NO, and 3NC contacts. Check contact operation.

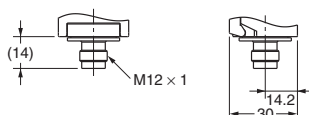
- \*1. The operating characteristics of these Switches were measured with the roller lever set at 32 mm.
- \*2. Only for snap-action models.
- \*3. Reference value.
- \*4. For safe use, always make sure that the minimum values or greater are provided.

Slow-action (1NC/1NO) (2NC/1NO)

Model		D4N-□A2H D4N-□C2H D4N-□E2H D4N-□F2H	D4N-□A2G D4N-□C2G D4N-□E2G D4N-□F2G *1
<b>Operating characteristics</b>			
Operating force	OF max.	4.5 N	
Release force	RF min.	0.4 N	
Pretravel	PT (NC)	18° to 27°	
	PT (NO) *2	(44°)	
	PT (NC) *3	27.5° to 36.5°	
	PT (NO) *2, *3	(18°)	
Overtravel	OT min.	40°	
Operating position	OP	---	
Total travel	TT *2	(80°)	
Direct opening travel	DOT min.	50°	
Direct opening force	DOF min. *4	20 N	

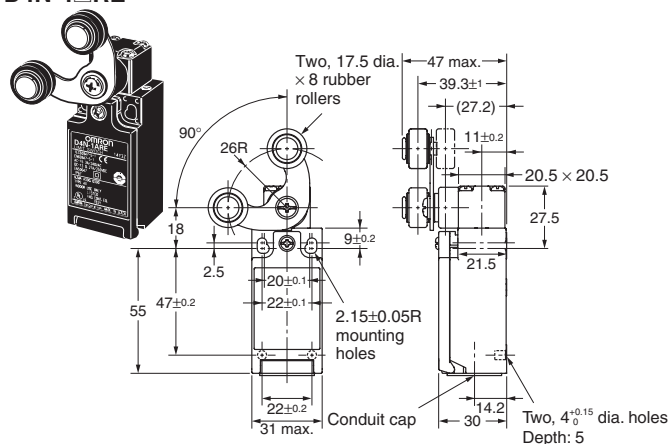
- \*1. The operating characteristics of these Switches were measured with the roller lever set at 32 mm.
- \*2. Reference values.
- \*3. Only for MBB models. (D4N-□E□□ or D4N-□F□□)
- \*4. For safe use, always make sure that the minimum values or greater are provided.

1-conduit M12 Connector  
D4N-9□□□

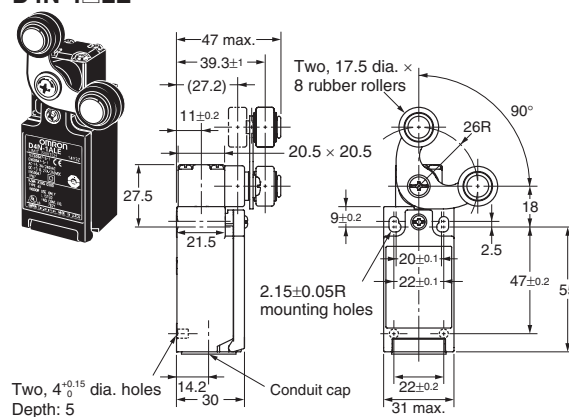


1-conduit Models

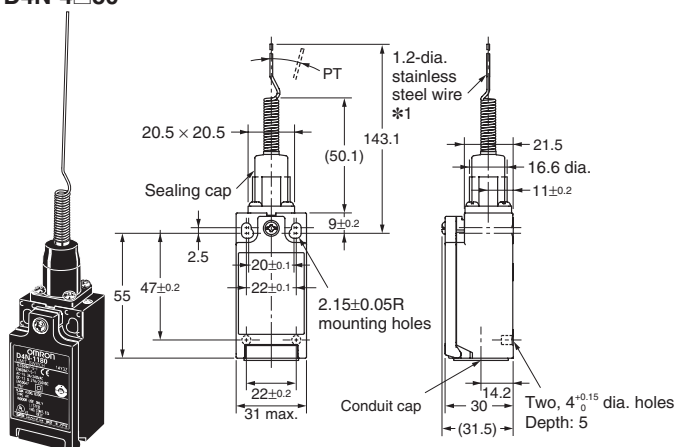
Fork Lever Lock  
(Right Operation) \*2  
D4N-2□RE  
D4N-4□RE



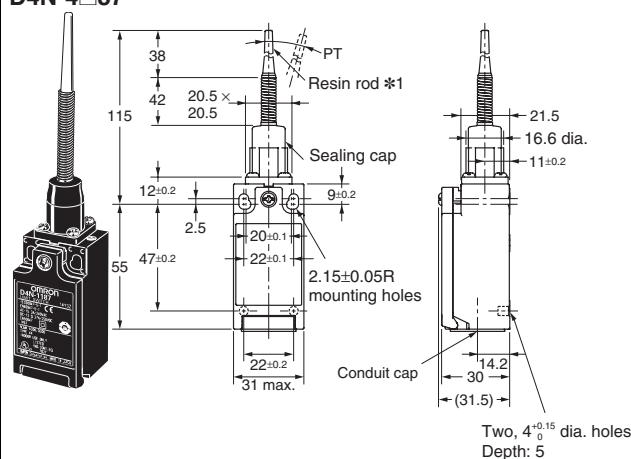
Fork Lever Lock  
(Left Operation) \*2  
D4N-2□LE  
D4N-4□LE



Cat Whisker \*2  
D4N-2□80  
D4N-4□80



Plastic Rod \*2  
D4N-2□87  
D4N-4□87



Note: Unless otherwise specified, a tolerance of ±0.4 mm applies to all dimensions.

\*1. The usable range for stainless steel wires and resin rods is 35 mm max. from the end with a total travel of 70 mm max.

\*2. In terms of construction, the Switch is a General-purpose Limit Switch rather than a Safety Limit Switch.

Slow-action (1NC/1NO) (2NC/1NO) (2NC) (3NC)

Model	D4N-□□RE	D4N-□□LE
Operating characteristics		
Force necessary to reverse the direction of the lever: max.	6.4 N	6.4 N
Movement until the lever reverses	55 ±10°	55 ±10°
Movement until switch operation (NC)	(6.5°) (MBB: 10°)	(6.5°) (MBB: 10°)
Movement until switch operation (NO)	(18.5°) (MBB: 5°)	(18.5°) (MBB: 5°)

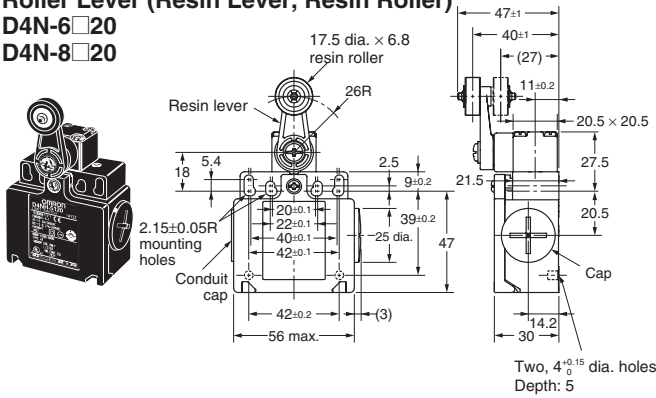
Note: Variation occurs in the simultaneity of contact opening/closing operations of 2NC, 2NC/1NO, and 3NC contacts. Check contact operation.

Snap-action (1NC/1NO) (2NC), Slow-action (2NC) (3NC)

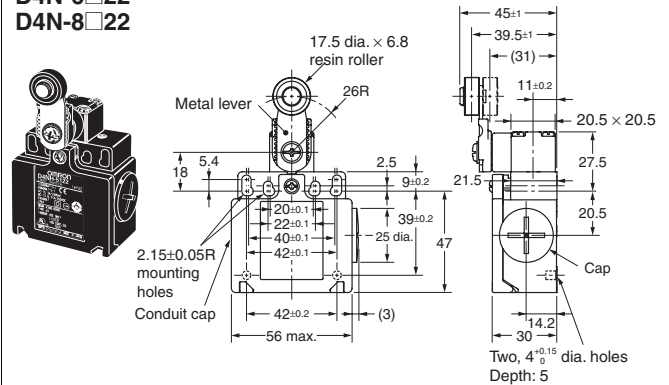
Model	D4N-□□80	D4N-□□87
Operating characteristics		
Operating force OF max.	1.5 N	1.5 N
Pretravel PT max.	15°	15°

2-conduit Models

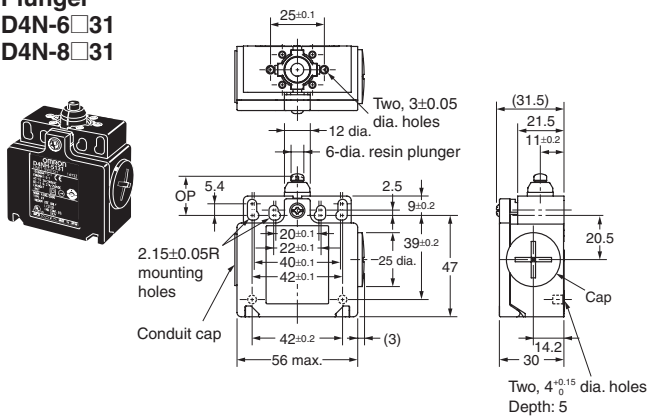
**Roller Lever (Resin Lever, Resin Roller)**  
**D4N-6□20**  
**D4N-8□20**



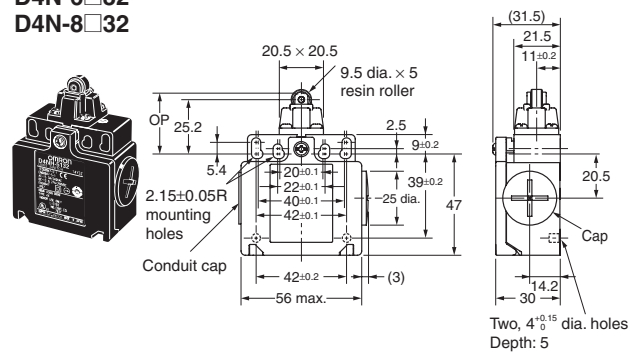
**Roller Lever (Metal Lever, Resin Roller)**  
**D4N-6□22**  
**D4N-8□22**



**Plunger**  
**D4N-6□31**  
**D4N-8□31**



**Roller Plunger**  
**D4N-6□32**  
**D4N-8□32**



Note: Unless otherwise specified, a tolerance of ±0.4 mm applies to all dimensions.

**Snap-action (1NC/1NO) (2NC), Slow-action (2NC) (3NC)**

Model	D4N-□120	D4N-□122	D4N-□131	D4N-□132
	D4N-□220	D4N-□222	D4N-□231	D4N-□232
	D4N-□B20	D4N-□B22	D4N-□B31	D4N-□B32
	D4N-□D20	D4N-□D22	D4N-□D31	D4N-□D32
<b>Operating characteristics</b>				
<b>Operating force</b> OF max.	5 N	5 N	6.5 N	6.5 N
<b>Release force</b> RF min.	0.5 N	0.5 N	1.5 N	1.5 N
<b>Pretravel</b> PT	18° to 27°	18° to 27°	2 mm	2 mm
<b>Overtravel</b> OT min.	40°	40°	4 mm	4 mm
<b>Movement differential</b> MD max. #1	14°	14°	1 mm	1 mm
<b>Operating position</b> OP	---	---	18 ±0.5 mm	28.2 ±0.8 mm
<b>Total travel</b> TT #2	(80°)	(80°)	(6 mm)	(6 mm)
<b>Direct opening travel</b> DOT min. #3	50°	50°	3.2 mm	3.2 mm
<b>Direct opening force</b> DOF min. #3	20 N	20 N	20 N	20 N

Note: Variation occurs in the simultaneity of contact opening/closing operations of 2NC, 2NC/1NO, and 3NC contacts. Check contact operation.

\*1. Only for snap-action models.

\*2. Reference value.

\*3. For safe use, always make sure that the minimum values or greater are provided.

**Slow-action (1NC/1NO) (2NC/1NO)**

Model	D4N-□A20	D4N-□A22	D4N-□A31	D4N-□A32
	D4N-□C20	D4N-□C22	D4N-□C31	D4N-□C32
	D4N-□E20	D4N-□E22	D4N-□E31	D4N-□E32
	D4N-□F20	D4N-□F22	D4N-□F31	D4N-□F32
<b>Operating characteristics</b>				
<b>Operating force</b> OF max.	5 N	5 N	6.5 N	6.5 N
<b>Release force</b> RF min.	0.5 N	0.5 N	1.5 N	1.5 N
<b>Pretravel</b> PT (NC) #1	18° to 27°	18° to 27°	2 mm	2 mm
<b>PT (NO) #1</b>	(44°)	(44°)	(2.9 mm)	(2.9 mm)
<b>PT (NC) #2</b>	27.5° to 36.5°	27.5° to 36.5°	2.8 mm	2.8 mm
<b>PT (NO) #1, #2</b>	(18°)	(18°)	(1 mm)	(1 mm)
<b>Overtravel</b> OT min.	40°	40°	4 mm	4 mm
<b>Operating position</b> OP	---	---	18 ±0.5 mm	28.2 ±0.8 mm
<b>OP #2</b>	---	---	17.4 ±0.5 mm	28 ±0.8 mm
<b>Total travel</b> TT #1	(80°)	(80°)	(6 mm)	(6 mm)
<b>Direct opening travel</b> DOT min. #3	50°	50°	3.2 mm	3.2 mm
<b>Direct opening force</b> DOF min. #3	20 N	20 N	20 N	20 N

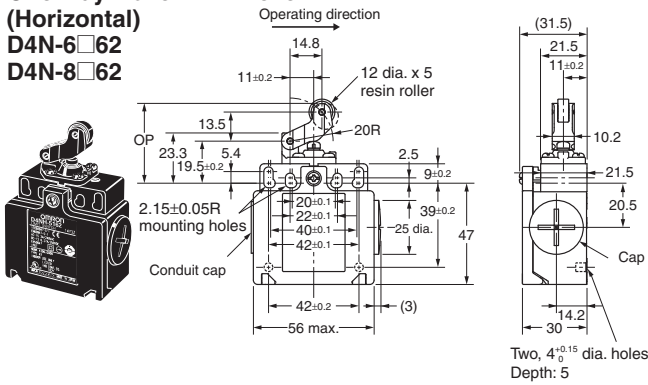
\*1. Reference values.

\*2. Only for MBB models. (D4N-□E□□ or D4N-□F□□)

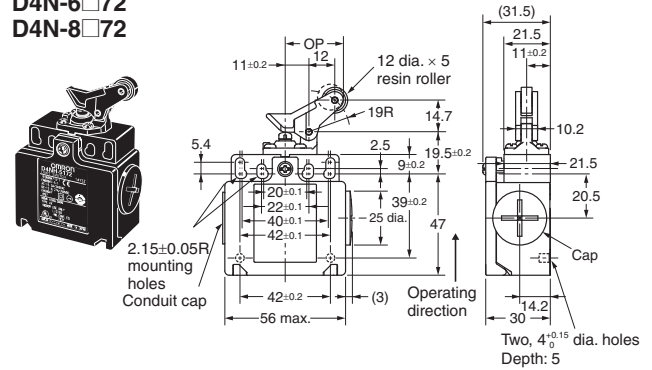
\*3. For safe use, always make sure that the minimum values or greater are provided.

2-conduit Models

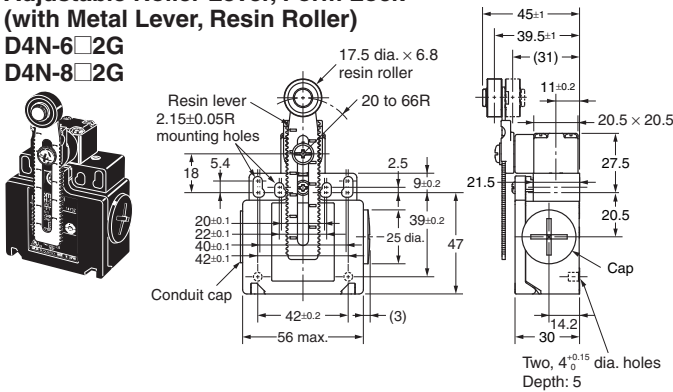
One-way Roller Arm Lever  
(Horizontal)  
D4N-6□62  
D4N-8□62



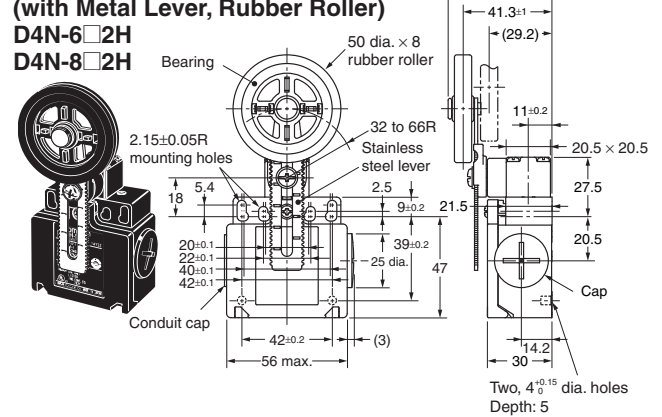
One-way Roller Arm Lever  
(Vertical)  
D4N-6□72  
D4N-8□72



Adjustable Roller Lever, Form Lock  
(with Metal Lever, Resin Roller)  
D4N-6□2G  
D4N-8□2G



Adjustable Roller Lever, Form Lock  
(with Metal Lever, Rubber Roller)  
D4N-6□2H  
D4N-8□2H



Note: Unless otherwise specified, a tolerance of ±0.4 mm applies to all dimensions.

Snap-action (1NC/1NO) (2NC), Slow-action (2NC) (3NC)

Model	D4N-□162	D4N-□172	D4N-□12G	D4N-□12H
Operating characteristics	D4N-□262	D4N-□272	D4N-□22G	D4N-□22H
Operating force OF max.	D4N-□B62	D4N-□B72	D4N-□B2G	D4N-□B2H
Release force RF min.	D4N-□D62	D4N-□D72	D4N-□D2G	D4N-□D2H
Pretravel PT max. (NC)	*1			
Pretravel PT (NO)	*2			
Overtravel OT min.				
Movement differential MD max. *3				
Operating position OP				
Total travel TT *4				
Direct opening travel DOT min. *5				
Direct opening force DOF min. *5				

Note: Variation occurs in the simultaneity of contact opening/closing operations of 2NC, 2NC/1NO, and 3NC contacts. Check contact operation.

\*1. The operating characteristics of these Switches were measured with the roller lever set at 30 mm.

\*2. The operating characteristics of these Switches were measured with the roller lever set at 31 mm.

\*3. Only for snap-action models.

\*4. Reference value.

\*5. For safe use, always make sure that the minimum values or greater are provided.

Slow-action (1NC/1NO) (2NC/1NO)

Model	D4N-□A62	D4N-□A72	D4N-□A2G	D4N-□A2H
Operating characteristics	D4N-□C62	D4N-□C72	D4N-□C2G	D4N-□C2H
Operating force OF max.	D4N-□E62	D4N-□E72	D4N-□E2G	D4N-□E2H
Release force RF min.	D4N-□F62	D4N-□F72	D4N-□F2G	D4N-□F2H
Pretravel PT max. (NC)	*1			
Pretravel PT (NO)	*2			
Overtravel OT min.				
Operating position OP				
Total travel TT *3				
Direct opening travel DOT min. *5				
Direct opening force DOF min. *5				

\*1. The operating characteristics of these Switches were measured with the roller lever set at 30 mm.

\*2. The operating characteristics of these Switches were measured with the roller lever set at 31 mm.

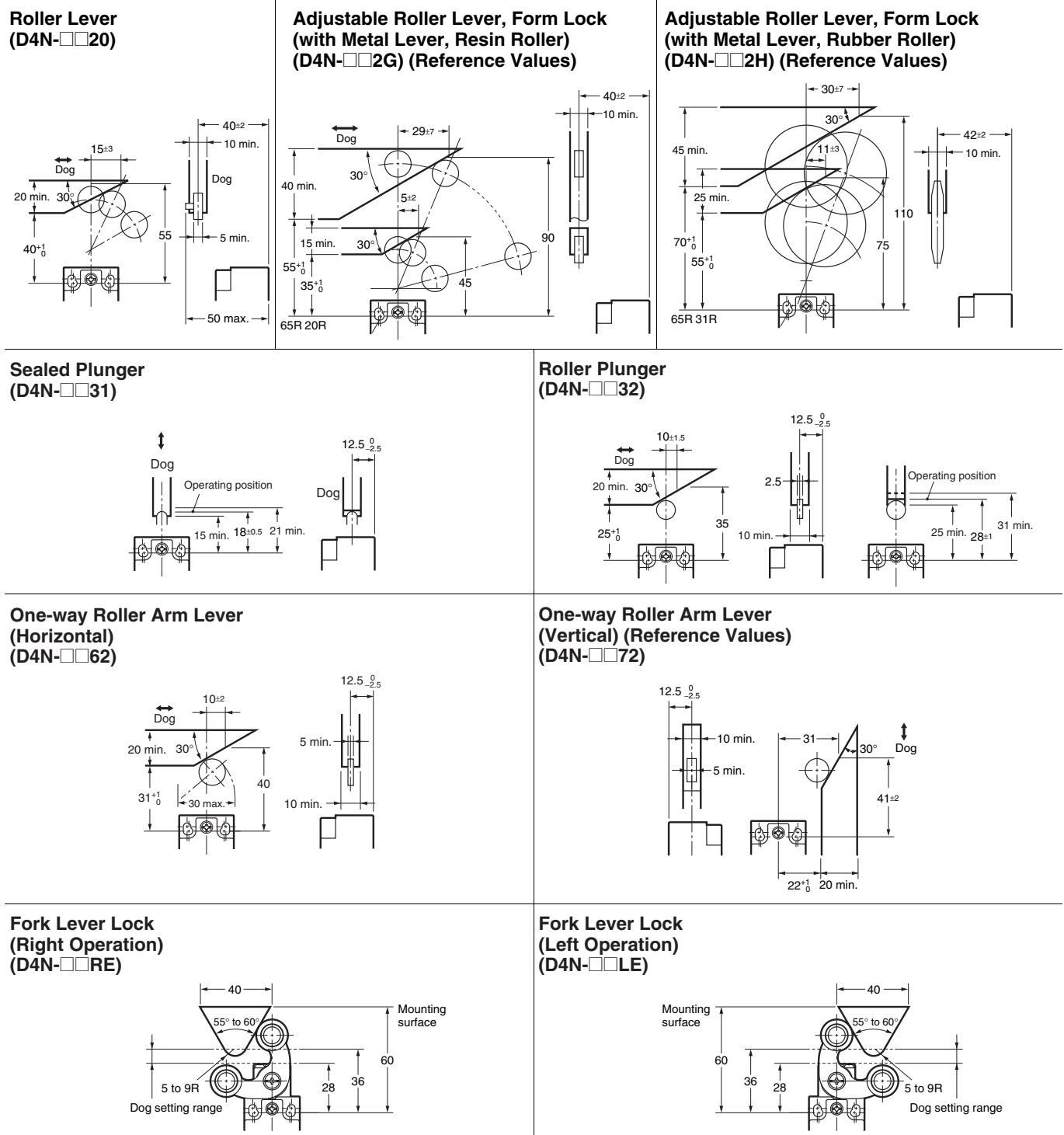
\*3. Reference values.

\*4. Only for MBB models. (D4N-□E□□ or D4N-□F□□)

\*5. For safe use, always make sure that the minimum values or greater are provided.

## Levers

Refer to the following for the angles and positions of the watchdogs (source: EN50047.)



**Note:** Unless otherwise specified, a tolerance of  $\pm 0.4$  mm applies to all dimensions.



## Safety Precautions

Be sure to read the precautions for **All Safety Limit Switches** in the website at: <http://www.ia.omron.com/>.

### Indication and Meaning for Safe Use

<b>⚠ CAUTION</b>	Indicates a potentially hazardous situation which, if not avoided, may result in minor or moderate injury or in property damage.
<b>Precautions for Safe Use</b>	Supplementary comments on what to do or avoid doing, to use the product safely.
<b>Precautions for Correct Use</b>	Supplementary comments on what to do or avoid doing, to prevent failure to operate, or undesirable effect on product performance.

### ⚠ CAUTION

Electric shock may occasionally occur.  
Do not use metal connectors or metal conduits.



#### Precautions for Safe Use

- Do not use the Switch submerged in oil or water, or in locations continuously subject to splashes of oil or water. Doing so may result in oil or water entering the Switch interior. (The IP67 degree of protection specification for the Switch refers to water penetration while the Switch is submerged in water for a specified period of time.)
- Always attach the cover after completing wiring and before using the Switch. Also, do not turn ON the Switch with the cover open. Doing so may result in electric shock.
- Do not switch circuits for two or more standard loads (250 VAC, 3 A). Doing so may adversely affect insulation performance.

#### Precautions for Correct Use

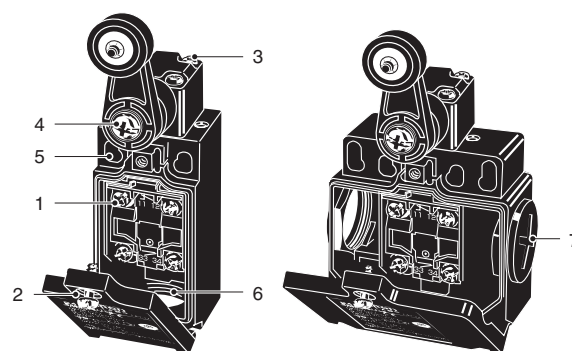
The Switch contacts can be used with either standard loads or microloads. Once the contacts have been used to switch a load, however, they cannot be used to switch smaller loads. The contact surfaces will become rough once they have been used and contact reliability for smaller loads may be reduced.

## Mounting Method

### Appropriate Tightening Torque

Tighten each of the screws to the specified torque. Loose screws may result in malfunction of the Switch within a short time.

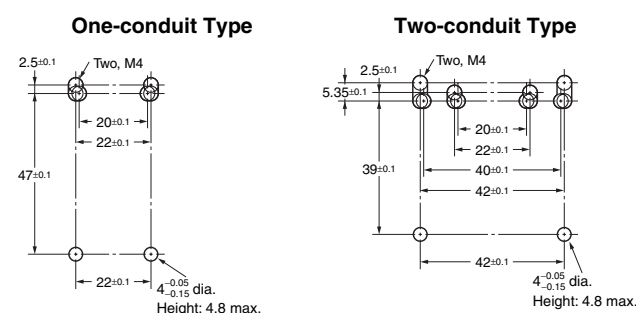
No.	Part Name	Tightening Torque
1	Terminal screw	0.6 to 0.8 N·m
2	Cover mounting screw	0.5 to 0.7 N·m
3	Head mounting screw	0.5 to 0.6 N·m
4	Lever mounting screw	1.6 to 1.8 N·m
5	Body mounting screw	0.5 to 0.7 N·m
6	Connector, M12 adaptor	1.8 to 2.2 N·m
7	Cap screw	1.3 to 1.7 N·m



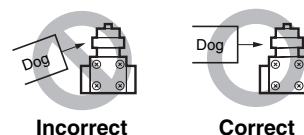
### Switch Mounting

- Mount the Switch using M4 screws and spring washers and tighten the screws to the specified torque.
- For safety, use screws that cannot be easily removed, or use an equivalent measure to ensure that the Switch is secure.
- As shown below, two studs with a maximum height of 4.8 mm and a diameter of  $4_{-0.15}^{+0.05}$  mm can be provided, the studs inserted into the holes on the bottom of the Switch, and the Switch secured at four locations to increase the mounting strength.

### Switch Mounting Holes



- Make sure that the dog contacts the actuator at a right angle. Applying a load to the switch actuator (roller) on a slant may result in deformation or damage of the actuator or rotary shaft.

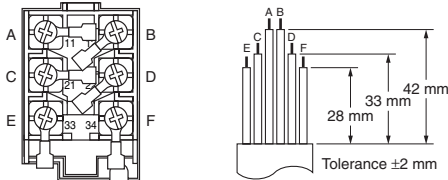


## Wiring

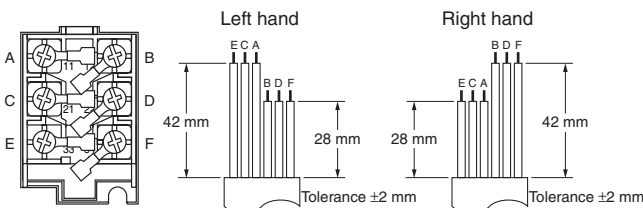
### Wiring

- When connecting to the terminals via insulating tube and M3.5 crimp terminals, arrange the crimp terminals as shown below so that they do not rise up onto the case or the cover. Applicable lead wire size: AWG20 to AWG18 (0.5 to 0.75 mm<sup>2</sup>). Use lead wires of an appropriate length, as shown below. Not doing so may result in excess length causing the cover to rise and not fit properly.

### One-conduit Type (3 Poles)



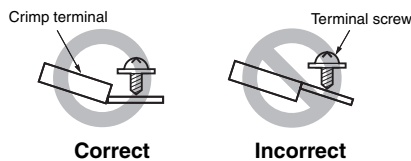
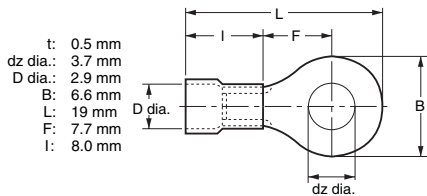
### Two-conduit Type (3 Poles)



- Do not push crimp terminals into gaps in the case interior. Doing so may cause damage or deformation of the case.
- Use crimp terminals not more than 0.5 mm in thickness. Otherwise, they will interfere with other components inside the case.

[Reference] The crimp terminals shown below are not more than 0.5 mm thick.

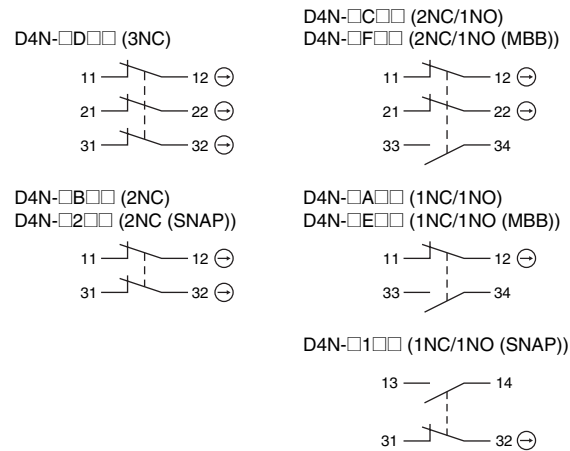
Manufacturer	Type
J.S.T. Mfg. Co.	FN0.5-3.7 (F Type)
	N0.5-3.7 (Straight Type)



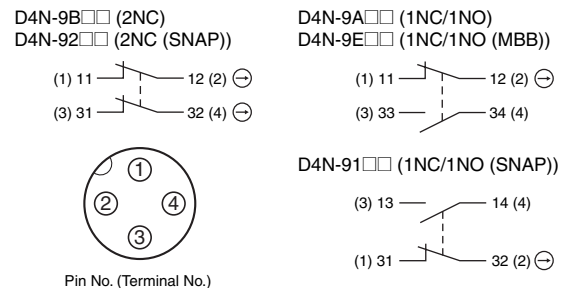
## Contact Arrangement

- The contact arrangements are shown below.

### Screw Terminal Type



### Connector Type



- Applicable socket: XS2F-D421 series (OMRON).
- Refer to the *Connector Catalog* for details on socket pin numbers and lead wire colors.

## Socket Tightening (Connector Type)

- Turn the socket connector screws by hand and tighten until no space remains between the socket and the plug.
- Make sure that the socket connector is tightened securely. Otherwise, the rated degree of protection (IP67) may not be maintained and vibration may loosen the socket connector.

## Conduit Opening

- Connect a recommended connector to the opening of the conduit and tighten the connector to the specified torque. The case may be damaged if an excessive tightening torque is applied.
- Use a cable with a suitable diameter for the connector.
- Attach and tighten a conduit cap to the unused conduit opening when wiring. Tighten the conduit cap to the specified torque. The conduit cap is provided with the Switch (2-conduit types).

## Changing the Lever

The lever mounting screws can be used to set the lever position to any position in a 360° angle at 7.5° increments. Grooves are incised on the lever and rotary shaft that engage to prevent the lever from slipping against the rotary shaft. The screws on adjustable roller lever models can also be loosened to change the length of the lever. Remove the screws from the front of the lever before mounting the lever in reverse (front/back), and set the level so that operation will be completed before exceeding a range of 180° on the horizontal.

## Recommended Connectors

Use connectors with screws not exceeding 9 mm, otherwise the screws will protrude into the case interior, interfering with other components in the case.

The connectors listed in the following table have connectors with thread sections not exceeding 9 mm.

Use the recommended connectors to ensure conformance to IP67.

Size	Manufacturer	Model	Applicable cable diameter
G1/2	LAPP	ST-PF1/2 5380-1002	6.0 to 12.0 mm
Pg13.5	LAPP	ST-13.5 5301-5030	6.0 to 12.0 mm
M20	LAPP	ST-M20 × 1.5 5311-1020	7.0 to 13.0 mm

Use LAPP connectors together with seal packing (JPK-16, GP-13.5, or GPM20), and tighten to the specified tightening torque. Seal packing is sold separately.

- LAPP is a German manufacturer.

## Others

- When attaching a cover, be sure that the seal rubber is in place and that there is no foreign material present. If the cover is attached with the seal rubber out of place or if foreign material is stuck to the rubber, a proper seal will not be obtained.
- Do not use any screws to connect the cover other than the specified ones. The seal characteristics may be reduced.
- Make sure that foreign particles do not enter the head when removing the screws from the four corners to change the head position in any of the four directions.
- Use the following recommended countermeasures to prevent telegraphing when using adjustable or long levers.
  1. Make the rear edge of the dog smooth with an angle of 15° to 30° or make it in the shape of a quadratic curve.
  2. Design the circuit so that no error signal will be generated.

## Terms and Conditions Agreement

### Read and understand this catalog.

Please read and understand this catalog before purchasing the products. Please consult your OMRON representative if you have any questions or comments.

### Warranties.

(a) Exclusive Warranty. Omron's exclusive warranty is that the Products will be free from defects in materials and workmanship for a period of twelve months from the date of sale by Omron (or such other period expressed in writing by Omron). Omron disclaims all other warranties, express or implied.

(b) Limitations. OMRON MAKES NO WARRANTY OR REPRESENTATION, EXPRESS OR IMPLIED, ABOUT NON-INFRINGEMENT, MERCHANTABILITY OR FITNESS FOR A PARTICULAR PURPOSE OF THE PRODUCTS. BUYER ACKNOWLEDGES THAT IT ALONE HAS DETERMINED THAT THE PRODUCTS WILL SUITABLY MEET THE REQUIREMENTS OF THEIR INTENDED USE.

Omron further disclaims all warranties and responsibility of any type for claims or expenses based on infringement by the Products or otherwise of any intellectual property right. (c) Buyer Remedy. Omron's sole obligation hereunder shall be, at Omron's election, to (i) replace (in the form originally shipped with Buyer responsible for labor charges for removal or replacement thereof) the non-complying Product, (ii) repair the non-complying Product, or (iii) repay or credit Buyer an amount equal to the purchase price of the non-complying Product; provided that in no event shall Omron be responsible for warranty, repair, indemnity or any other claims or expenses regarding the Products unless Omron's analysis confirms that the Products were properly handled, stored, installed and maintained and not subject to contamination, abuse, misuse or inappropriate modification. Return of any Products by Buyer must be approved in writing by Omron before shipment. Omron Companies shall not be liable for the suitability or unsuitability or the results from the use of Products in combination with any electrical or electronic components, circuits, system assemblies or any other materials or substances or environments. Any advice, recommendations or information given orally or in writing, are not to be construed as an amendment or addition to the above warranty.

See <http://www.omron.com/global/> or contact your Omron representative for published information.

### Limitation on Liability: Etc.

OMRON COMPANIES SHALL NOT BE LIABLE FOR SPECIAL, INDIRECT, INCIDENTAL, OR CONSEQUENTIAL DAMAGES, LOSS OF PROFITS OR PRODUCTION OR COMMERCIAL LOSS IN ANY WAY CONNECTED WITH THE PRODUCTS, WHETHER SUCH CLAIM IS BASED IN CONTRACT, WARRANTY, NEGLIGENCE OR STRICT LIABILITY.

Further, in no event shall liability of Omron Companies exceed the individual price of the Product on which liability is asserted.

### Suitability of Use.

Omron Companies shall not be responsible for conformity with any standards, codes or regulations which apply to the combination of the Product in the Buyer's application or use of the Product. At Buyer's request, Omron will provide applicable third party certification documents identifying ratings and limitations of use which apply to the Product. This information by itself is not sufficient for a complete determination of the suitability of the Product in combination with the end product, machine, system, or other application or use. Buyer shall be solely responsible for determining appropriateness of the particular Product with respect to Buyer's application, product or system. Buyer shall take application responsibility in all cases.

NEVER USE THE PRODUCT FOR AN APPLICATION INVOLVING SERIOUS RISK TO LIFE OR PROPERTY OR IN LARGE QUANTITIES WITHOUT ENSURING THAT THE SYSTEM AS A WHOLE HAS BEEN DESIGNED TO ADDRESS THE RISKS, AND THAT THE OMRON PRODUCT(S) IS PROPERLY RATED AND INSTALLED FOR THE INTENDED USE WITHIN THE OVERALL EQUIPMENT OR SYSTEM.

### Programmable Products.

Omron Companies shall not be responsible for the user's programming of a programmable Product, or any consequence thereof.

### Performance Data.

Data presented in Omron Company websites, catalogs and other materials is provided as a guide for the user in determining suitability and does not constitute a warranty. It may represent the result of Omron's test conditions, and the user must correlate it to actual application requirements. Actual performance is subject to the Omron's Warranty and Limitations of Liability.

### Change in Specifications.

Product specifications and accessories may be changed at any time based on improvements and other reasons. It is our practice to change part numbers when published ratings or features are changed, or when significant construction changes are made. However, some specifications of the Product may be changed without any notice. When in doubt, special part numbers may be assigned to fix or establish key specifications for your application. Please consult with your Omron's representative at any time to confirm actual specifications of purchased Product.

### Errors and Omissions.

Information presented by Omron Companies has been checked and is believed to be accurate; however, no responsibility is assumed for clerical, typographical or proofreading errors or omissions.