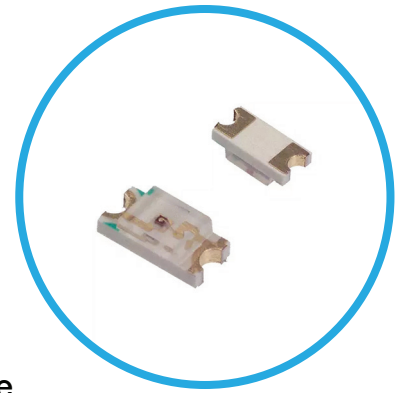


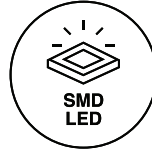
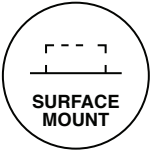
# CMD15-21 Series

## 1206 Package Size

### Surface Mount Technology LED



SMD LED in a 1206 package with clear and diffused lens options. Available in multiple single color options.



#### Applications

- Wearable and Portable Devices
- Automotive Features
- Navigations Systems
- Home and Smart Appliance
- Backlit Keypads
- Medical Devices
- Health Care Application
- Industrial Control Systems
- Status Indicator

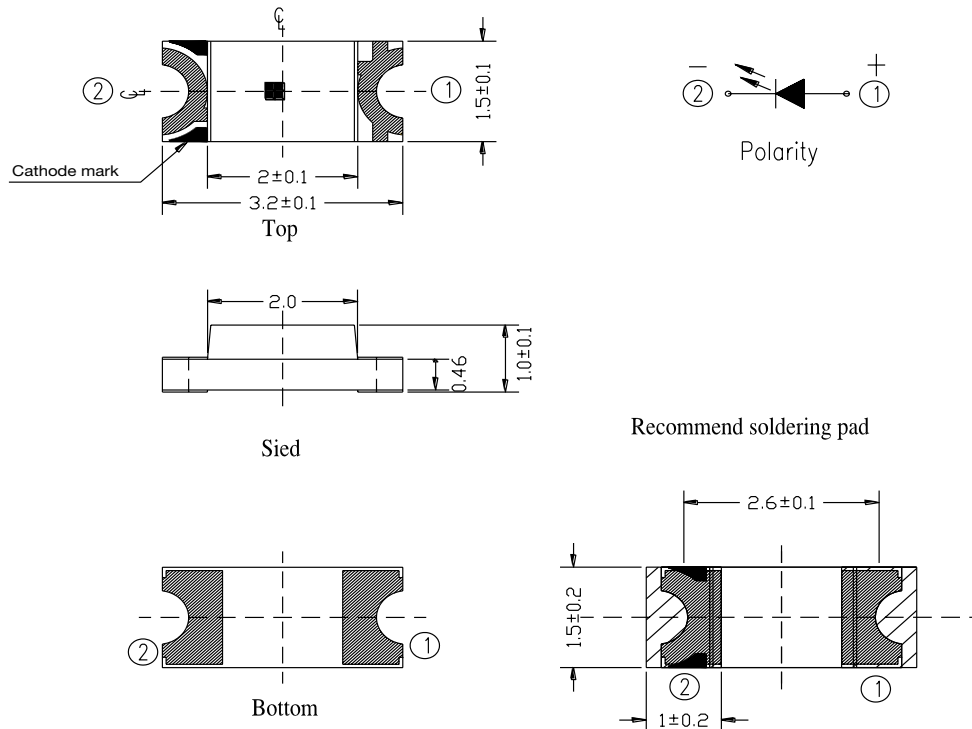
#### Key Features

- Surface mount technology
- 1206 LED package size
- Available in a range of colors: red, green, yellow and blue, clear and diffused
- Tape and reel packaged for high-speed auto insertion
- Convection and vapor-phase reflow compatible
- Compact form enables high density placement
- Packaged 2000 pieces per reel
- Consistent high brightness
- Integral lensing for narrow angle light dispersion
- Stringent process controls assure quality
- Extensive qualification testing to meet strictest requirements
- Designed to permit easy post-reflow solder joint inspection
- MSL Rating 2
- For custom LED color contact VCC
- RoHS and REACH Compliant

## Ordering Data

Series	Emitted Color/Lens Color
CMD15-21	SRC/TR8
SRC/TR8	Deep Red/Clear
VRC/TR8	Brilliant Red/Clear
VYC/TR8	Yellow/Clear
VGC/TR8	Green/Clear
UBC/TR8	Blue/Clear
VRD/TR8	Brilliant Red Diffused
VGD/TR8	Brilliant Yellow Green Diffused
VYD/TR8	Brilliant Yellow Diffused

## Product Dimensions



### Notes:

1. All dimensions are in mm
2. Tolerance is  $\pm 0.1$ mm unless otherwise noted.
3. The specifications, characteristics and technical data described in the datasheet are subject to change without prior notice.

## Product Specifications

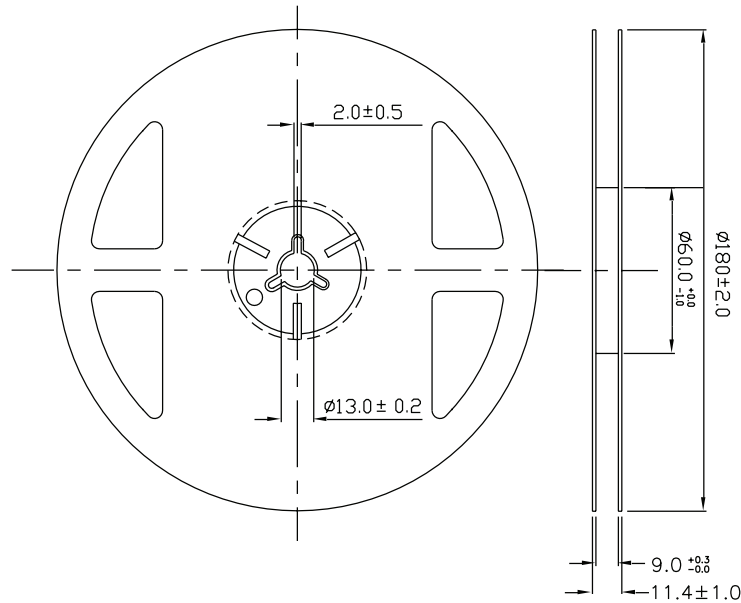
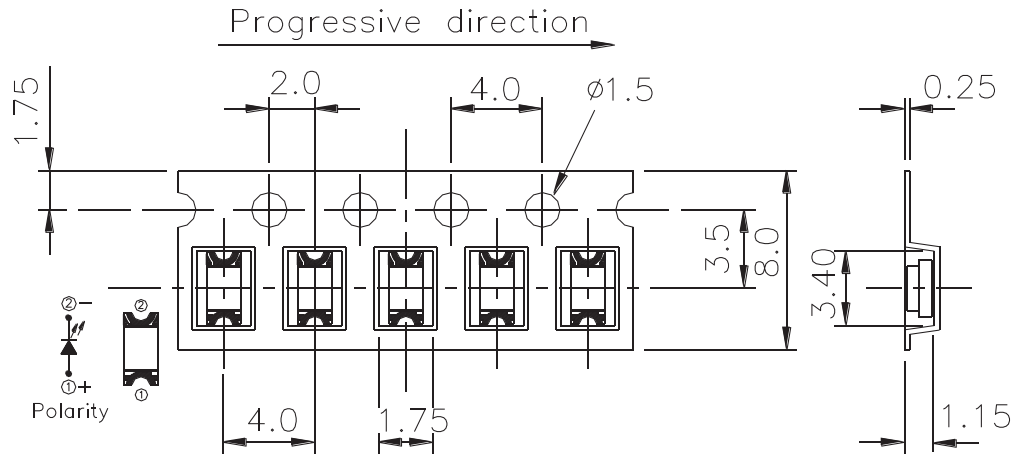
### Electrical-Optical Characteristics

Part Number	Emitted Color	Lens Color	Luminous Intensity		Forward Voltage		Test Current (mA)	Peak Wavelength (nm)
			Min. (mcd)	Typ. (mcd)	Typ. (V)	Max. (V)		
CMD15-21SRC/TR8	Deep Red	Clear	16	23	2.0	2.4	20	650
CMD15-21VRC/TR8	Brilliant Red	Clear	15	38	2.0	2.4	20	632
CMD15-21VYC/TR8	Yellow	Clear	15	39	2.0	2.4	20	591
CMD15-21VGC/TR8	Green	Clear	10	15	2.0	2.4	20	575
CMD15-21UBC/TR8	Blue	Clear	45	-	3.3	3.7	20	468
CMD15-21VRD/TR8	Brilliant Red Diffused	Red Diffused	25	40	1.7	2.4	20	632
CMD15-21VGD/TR8	Brilliant Yellow Green Diffused	Green Diffused	16	24	2.0	2.4	20	573
CMD15-21VYD/TR8	Brilliant Yellow Diffused	Yellow Diffused	16	25	2.0	2.4	20	591

### Absolute Maximum Ratings

Emitted Color	Reverse Voltage (IR=100µA) (V)	Average Forward Current (mA)	Peak Forward Current (1 µs @ 10% duty cycle) (mA)	Power Dissipation (mW)	Operating Temperature (°C)	Storage Temperature (°C)	Lead Solder Time at 260°C (Seconds)
Deep Red	5.0	25	60	60	-40 to +85	-40 to +90	10 Max
Yellow	5.0	25	60	60	-40 to +85	-40 to +90	10 Max
Green	5.0	25	60	60	-40 to +85	-40 to +90	10 Max
Blue	5.0	20	40	75	-40 to +85	-40 to +90	10 Max
Brilliant Red	5.0	25	60	60	-40 to +85	-40 to +90	10 Max
Red Diffused	5.0	25	60	60	-40 to +85	-40 to +90	10 Max
Brilliant Yellow Green Diffused	5.0	25	60	60	-40 to +85	-40 to +90	10 Max
Brilliant Yellow Diffused	5.0	25	60	60	-40 to +85	-40 to +90	10 Max

# Tape and Reel Specifications



2000 pieces per reel

## Notes:

1. All dimensions are in mm
2. Tolerance is  $\pm 0.1$ mm unless otherwise noted.
3. The specifications, characteristics and technical data described in the datasheet are subject to change without prior notice.

## Compliances and Approvals

