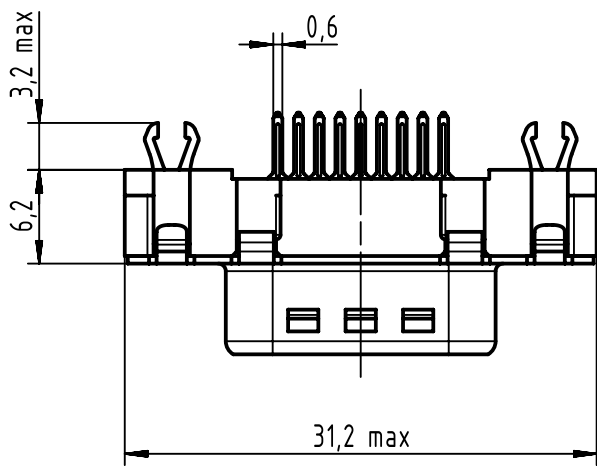
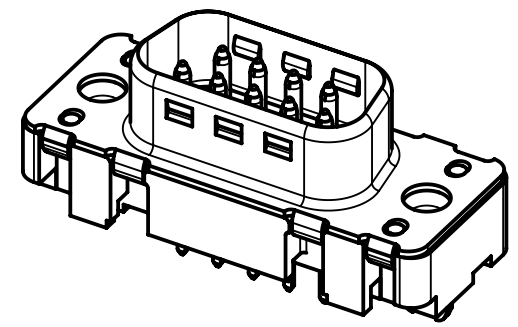
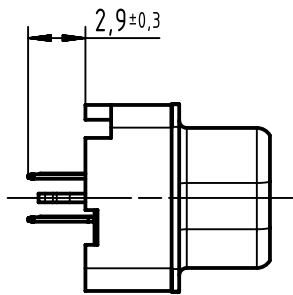
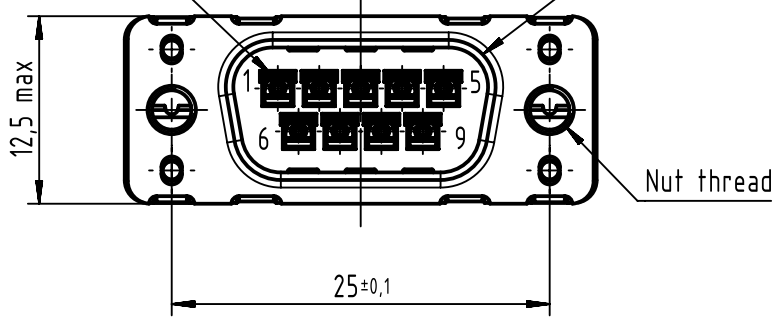


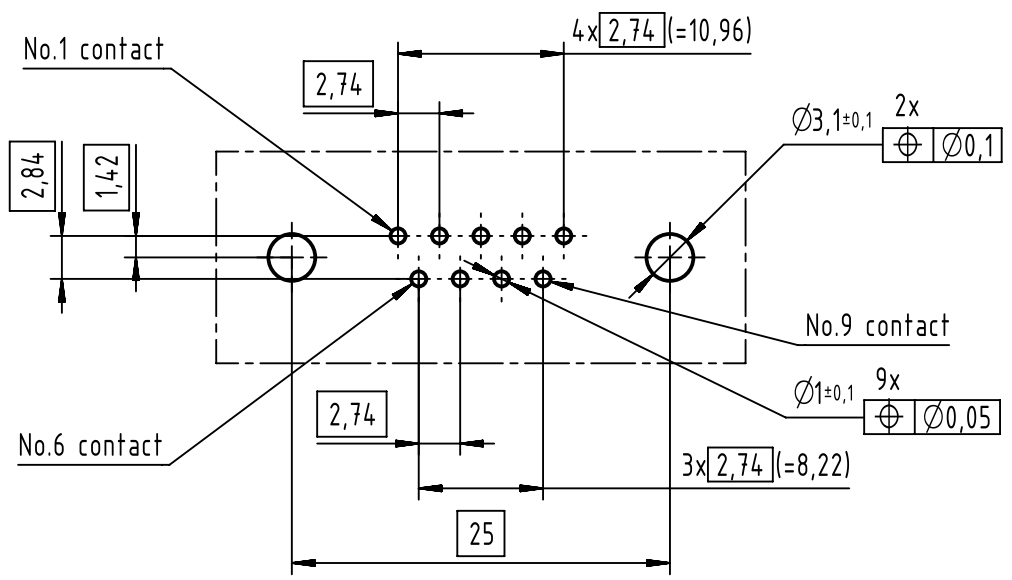
1 2 3 4 5 6

Mating face according to: MIL-C24308 / CECC 75301-802

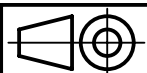
No.1 contact



PCB layout, component side



D	0965 169 3711	M3	1
	0965 169 6711	M3	2
	0965 169 7711	M3	3
	0965 169 3712	4-40 UNC	1
	0965 169 6712	4-40 UNC	2
	0965 169 7712	4-40 UNC	3
	Part number	Nut thread	Performance level



All Dimensions in mm
Original Size DIN A4

Scale
2:1

Free size tol.

Ref.

Sub.



All rights reserved
Department EC PD - CN

Created by
ZENGD

Inspected by
LUOK

Standardisation
KOHLER

Date
2016-08-08

State
Final Release

Title
D-Sub male str 9-pole connector with nut and board lock HT

Doc-Key / ECM-Nr.
100654211/UGD/000/B
500000107467

Type
TB

Number
0965169X71X

Rev.
B

Page
1/1