

MICRO SWITCH
a Honeywell Division

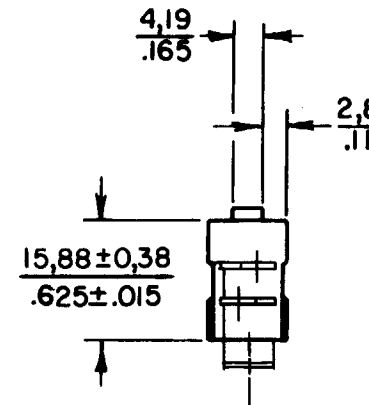
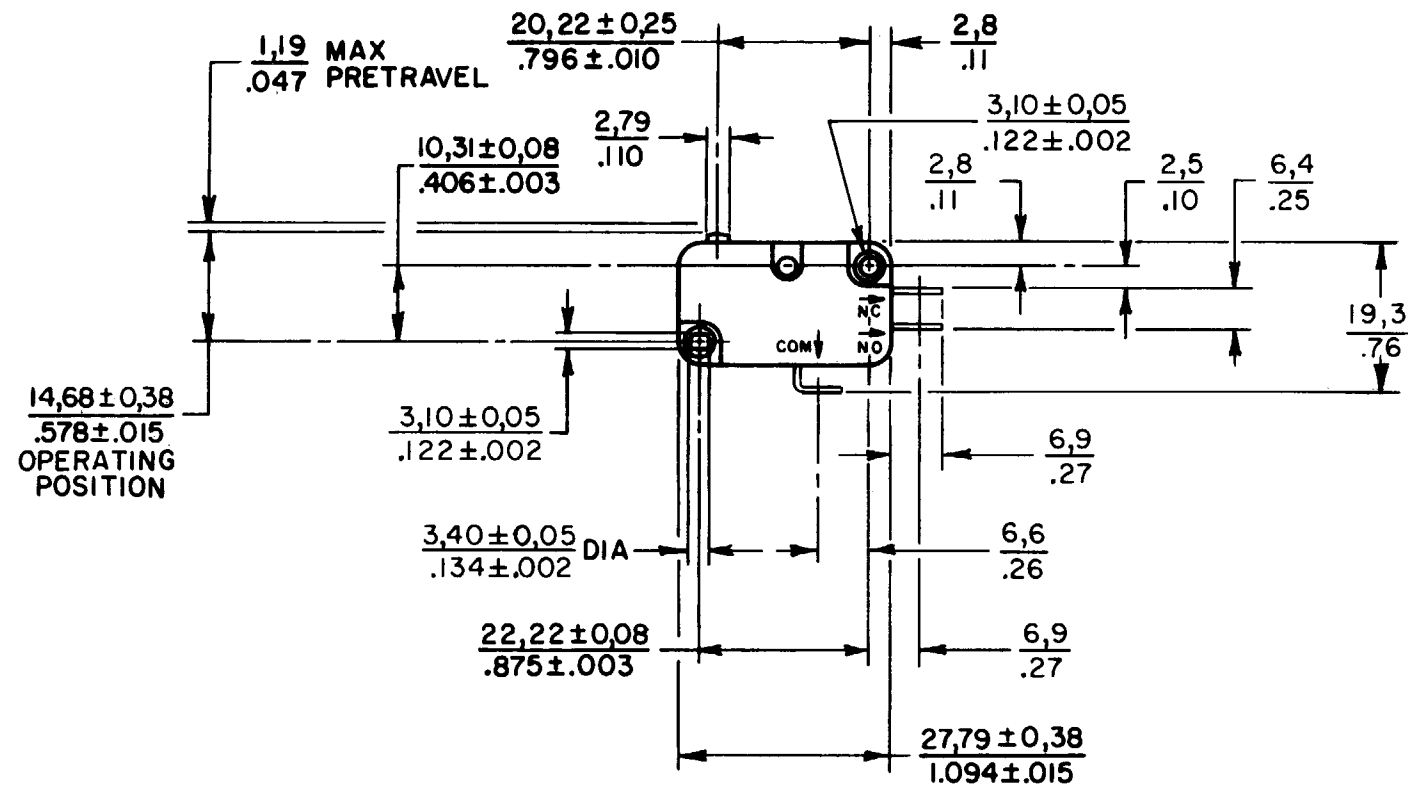
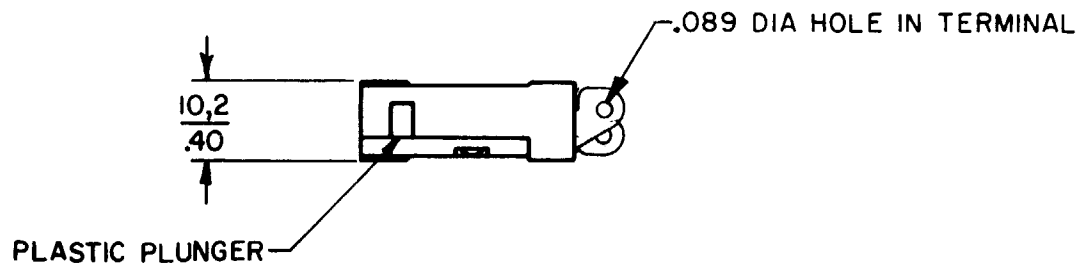
FED. MFG. CODE 9192B

SWITCH-BASIC

CATALOG LISTING

V3-19M

CK-A1901



CATALOG LISTING
V3-19M
PAGE 1 OF 1
RELEASE NO. PR-11069
REPLACES
ISSUE **8**
CHECK
REVISIONS
A CO 82848 DCS 15 JUL 96
CHECK
DRAWN 15 JUL 96 DCS
FORMTEK

THIS DRAWING COVERS A PROPRIETARY ITEM AND IS THE PROPERTY OF MICRO SWITCH, A DIVISION OF HONEYWELL. THIS DRAWING IS NOT TO BE COPIED OR USED WITHOUT THE APPROVAL OF MICRO SWITCH

CHARACTERISTICS	
OPERATING FORCE	170 - 398 GR MAX 6 - 14 OZ
RELEASE FORCE	113 GR MIN 4 OZ
DIFFERENTIAL TRAVEL	0.15 - 0.41
OVERTRAVEL	.006 - .016 1.01 MIN
RELEASE TRAVEL	.040 MIN 0.18 MIN
FREE POSITION	.007 MIN .625 MAX

ELECTRICAL DATA	
CONTACT ARRANGEMENT S P D T	
L83	15.1A 1/2HP 125, 250 VAC 1/2A 125 VDC, 1/4A 250 VDC 5A 125 VAC "L"

SCALE FULL			
DO NOT SCALE PRINT			
TOLERANCES			
APPLY TO DESIGN UNITS. CONVERSIONS ARE ONLY FOR REFERENCE. UNLESS NOTED, TOLERANCES ARE ±			
DIM.	TOL.	DIM.	TOL.
mm	mm/in	in	mm/in
NO PLACES	X	1/04	
ONE PLACE	X,X	0.4/016	X,X 0.8/03
TWO PLACES	X,X,X	0.16/008	X,X,X 0.36/015
THREE PLACES	X,X,X,X		X,X,X,X 0.13/005
ANGLES			
SI METRIC		US CUSTOMARY	
<input type="checkbox"/>		<input checked="" type="checkbox"/>	
DESIGN UNITS			
RAW MATERIAL - COMMERCIAL STANDARD			
MICRO SWITCH STANDARDS APPLY			
DIMENSIONS ARE TO BE MET BEFORE PROTECTIVE COATINGS ARE APPLIED			
WEIGHT			

- NOTES
- 1 - LINEAR MEASURE $\frac{mm}{IN}$, OR mm/IN
 - 2 - mm DIMENSIONS ARE FOR REFERENCE ONLY
 - 3 - TERMINALS ARE PLATED FOR SOLDERING
 - 4 - METRIC MOUNTING HOLES

