

- > precision pliers for ultra fine cutting work in electronics and fine mechanics
- > electrically discharging handles – dissipative (ESD versions only)
- > ground, very sharp cutting edges without bevel for flush cutting
- > precision shaped tips cut wires resting on a board from 1/64" (0.2 mm) dia.
- > joint with stainless steel rivet
- > extremely smooth movement for minimum operator fatigue
- > includes opening spring for easy repetitive work

**78 03 125 ESD**

Cutting edge hardness approx. 54 HRC; INOX – stainless steel

**78 13 125 ESD**

With lead catcher – no uncontrolled loss of cut wire ends; cutting edge hardness approx. 54 HRC; INOX – stainless steel

**78 61 125 ESD**

Cutting edge hardness approx. 64 HRC; special tool steel, burnished

**78 71 125 ESD**

With lead catcher – no uncontrolled loss of cut wire ends; cutting edge hardness approx. 64 HRC; special tool steel, burnished



**78 03 125 ESD**  
⚠️ ⚡️ 🔪 🔧



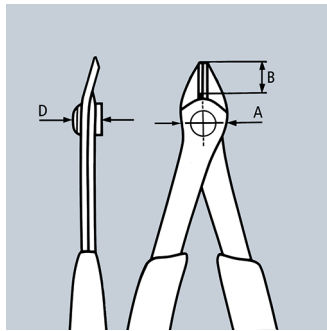
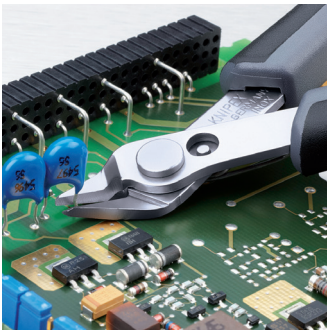
**78 13 125 ESD**  
⚠️ ⚡️ 🔪 🔧 👁️



**78 61 125 ESD**  
⚠️ ⚡️ 🔪 🔧



**78 71 125 ESD**  
⚠️ ⚡️ 🔪 🔧 👁️



**ESD Pliers (electrostatic discharge)**

Electrostatic energy is discharged through the handles in a gradual and controlled manner which protects components endangered by electrostatic discharge in accordance with applicable standards, e.g. IEC TR 61 340-5, DIN EN 61 340-5, SP Method 2472



| Product Number       | Packaging | ↔<br>Inch<br>mm | ⚠️ ⚡️ 🔪 🔧    | Head      | Handles                   | Cutting capacities       |                | Dimensions      |                 |                 | ⚖️<br>lbs |
|----------------------|-----------|-----------------|--------------|-----------|---------------------------|--------------------------|----------------|-----------------|-----------------|-----------------|-----------|
|                      |           |                 |              |           |                           | ⊘ Inch<br>⊘ mm           | ⊘ Inch<br>⊘ mm | A<br>Inch<br>mm | B<br>Inch<br>mm | D<br>Inch<br>mm |           |
| <b>78 03 125 ESD</b> |           | 5<br>125        | ⚠️ ⚡️ 🔪 🔧    | polished  | ESD multi-component grips | 1/64 - 1/16<br>0.2 - 1.6 | 3/64<br>1.0    | 17/32<br>13.5   | 23/64<br>9.0    | 19/64<br>7.5    | 0.13      |
| <b>78 13 125 ESD</b> |           | 5<br>125        | ⚠️ ⚡️ 🔪 🔧 👁️ | polished  | ESD multi-component grips | 1/64 - 1/16<br>0.2 - 1.6 | 3/64<br>1.0    | 17/32<br>13.5   | 23/64<br>9.0    | 19/64<br>7.5    | 0.14      |
| <b>78 61 125 ESD</b> |           | 5<br>125        | ⚠️ ⚡️ 🔪 🔧    | burnished | ESD multi-component grips | 1/64 - 1/16<br>0.2 - 1.6 | 3/64<br>1.2    | 17/32<br>13.5   | 23/64<br>9.0    | 19/64<br>7.5    | 0.12      |
| <b>78 71 125 ESD</b> |           | 5<br>125        | ⚠️ ⚡️ 🔪 🔧 👁️ | burnished | ESD multi-component grips | 1/64 - 1/16<br>0.2 - 1.6 | 3/64<br>1.2    | 17/32<br>13.5   | 23/64<br>9.0    | 19/64<br>7.5    | 0.14      |