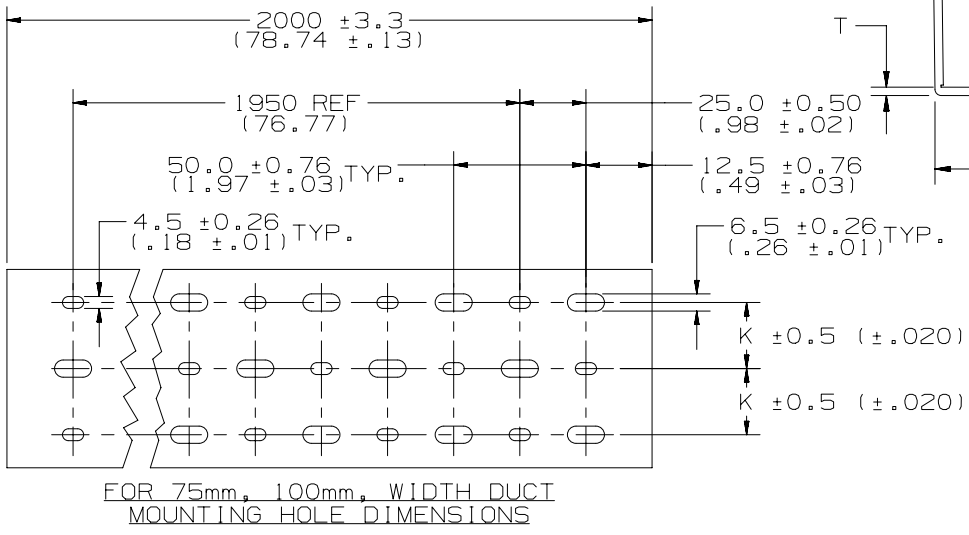
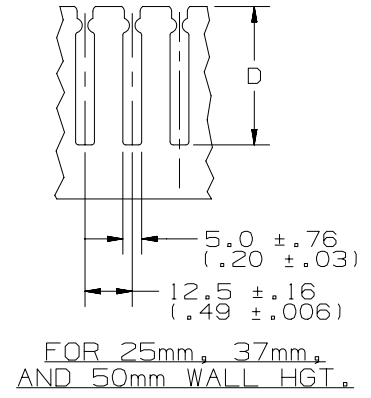
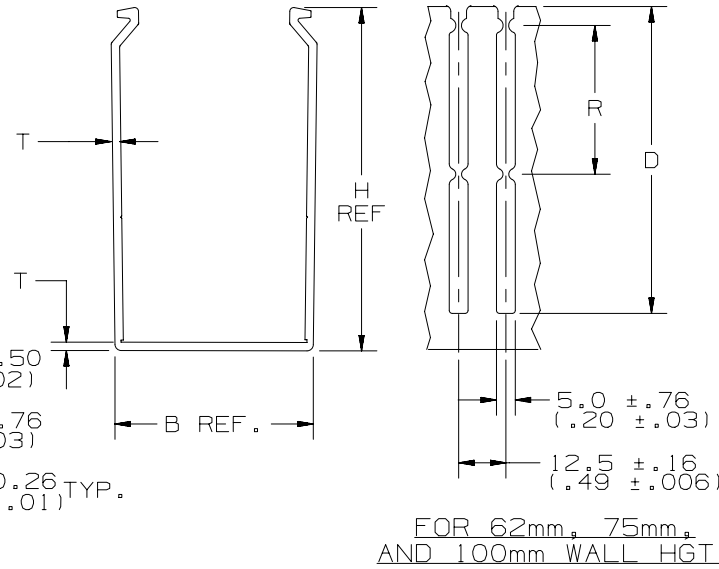
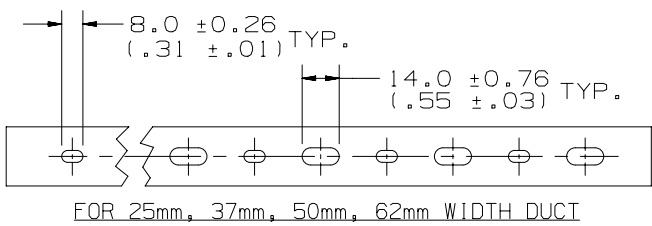


THIS COPY IS PROVIDED ON A RESTRICTED BASIS AND IS NOT TO BE USED IN ANY WAY DETRIMENTAL TO THE INTERESTS OF PANDUIT CORP.



PART NO. SYSTEM CHANNEL EXAMPLE:  
 MC 25 X 37 IG 2 (-A)  
 TYPE — 25mm WIDE — 37mm HIGH — COLOR (INT'L GRAY) — LENGTH (m) — ADHESIVE BACKED —

NOTES:

1. "B" MEASURED AT BASE.
2. STANDARD LENGTH: 2 METER.
3. SEE CURRENT CATALOG FOR PART NUMBER DESIGNATIONS FOR TYPE, COLOR, AND LENGTH.
4. DUCT TYPE "MC" PACKAGED WITH TYPE "C" COVER. (REFERENCE CUSTOMER DRAWING #34287-07 FOR TYPE "C" COVER)
5. DIMENSIONS ARE METRIC (INCHES).

TITLE		WIRING DUCT TYPE "MC" METRIC	
ITEM REVISION NAME		CUSTOMER DRAWING	
DATASET FILE NAME		D35540BJ/02	
UNLESS OTHERWISE SPECIFIED, DIMENSIONAL TOLERANCES ARE: mm [ IN ]		 MATERIAL: POLYVINYL CHLORIDE	
.x ± .xx ± 3.1 [ .12 ]			
THIRD ANGLE PROJECTION		35540-09	
DRAWN BY	DATE	CHK	SCALE
PM	6-5-98	HIW	NTS
SHT 1 OF 3		K A	

4	01.12.17	BDK	MRJS	JADE	L. UPDATED TITLE BLOCK, BORDER AND LOGO K. ADDED SHEET 3 - DUCT COVER	35540-09
REV	DATE	BY	CHK	APR	DESCRIPTION	ECN

THIS COPY IS PROVIDED ON A RESTRICTED BASIS AND IS NOT TO BE USED IN ANY WAY DETRIMENTAL TO THE INTERESTS OF PANDUIT CORP.

MOUNTING HOLE	
NOMINAL DUCT WIDTH	K ±.5 (.02)
25	----
37	----
50	----
62	----
75	.25 (.98)
100	.25 (.98)

PROFILE DIMENSION				
NOMINAL DUCT SIZE (W X H)	B REF	H REF	T	T TOL.
25 X 25	24.6 (.97)	20.5 (.81)	1.4 (.055)	±.2 (.008)
25 X 37	24.6 (.97)	33 (1.30)	1.4 (.055)	±.2 (.008)
25 X 50	24.6 (.97)	45.5 (1.79)	1.5 (.059)	±.2 (.008)
25 X 62	24.6 (.97)	58 (2.28)	1.5 (.059)	±.2 (.008)
25 X 75	24.6 (.97)	70.5 (2.78)	1.7 (.065)	±.25 (.010)
37 X 37	37.1 (1.46)	33 (1.30)	1.5 (.059)	±.2 (.008)
37 X 50	37.1 (1.46)	45.5 (1.79)	1.7 (.065)	±.25 (.010)
37 X 62	37.1 (1.46)	58 (2.28)	1.7 (.065)	±.25 (.010)
37 X 75	37.1 (1.46)	70.5 (2.78)	1.8 (.071)	±.3 (.012)
50 X 50	49.6 (1.95)	45.5 (1.79)	1.7 (.065)	±.25 (.010)
50 X 75	49.6 (1.95)	70.5 (2.78)	1.9 (.075)	±.3 (.012)
50 X 100	49.6 (1.95)	95.5 (3.76)	2.15 (.085)	±.25 (.010)

PROFILE DIMENSION				
NOMINAL DUCT SIZE (W X H)	B REF	H REF	T	T TOL.
62 X 37	62.4 (2.44)	33 (1.30)	1.7 (.065)	±.25 (.010)
62 X 62	62.1 (2.44)	58 (2.28)	1.8 (.071)	±.3 (.012)
75 X 50	74.6 (2.94)	45.5 (1.79)	2.0 (.079)	±.3 (.012)
75 X 62	74.6 (2.94)	58 (2.28)	1.9 (.075)	±.3 (.012)
75 X 75	74.6 (2.94)	70.5 (2.78)	2.15 (.085)	±.25 (.010)
75 X 100	74.6 (2.94)	95.5 (3.76)	2.3 (.091)	±.3 (.012)
100 X 50	99.6 (3.92)	45.5 (1.79)	2.0 (.079)	±.3 (.012)
100 X 62	99.6 (3.92)	58 (2.28)	2.0 (.079)	±.3 (.012)
100 X 75	99.6 (3.92)	70.5 (2.78)	2.5 (.098)	±.3 (.012)
100 X 100	99.6 (3.92)	95.5 (3.76)	2.5 (.098)	±.3 (.012)

SLOT DIMENSION		
NOMINAL DUCT HEIGHT	D ±.8 (.03)	R ±.75 (.02)
25	13.65 (.54)	-----
37	24.7 (.97)	-----
50	34.85 (1.37)	-----
62	45.8 (1.80)	20.35 (.80)
75	57.6 (2.27)	26.25 (1.03)
100	81.05 (3.19)	37.95 (1.49)

ALL DIMENSIONS ARE METRIC (INCHES).

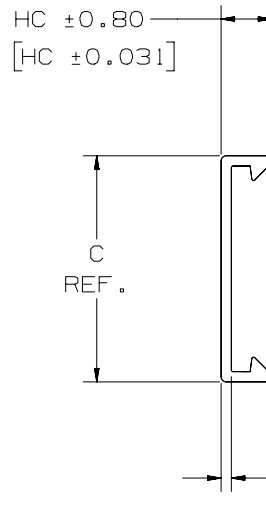
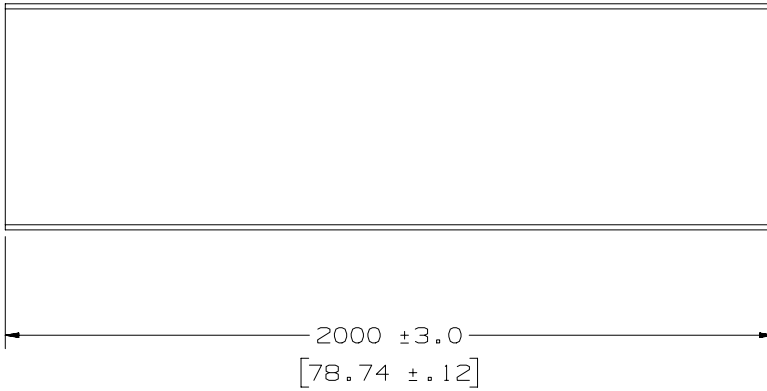


REV	DATE	BY	CHK	APR	DESCRIPTION	ECN
4	01.12.17	BDK	MRJS	JADE	SEE SHEET 1 OF 3 FOR REVISIONS	35540-09

TITLE		<b>WIRING DUCT TYPE "MC" METRIC</b>		
ITEM REVISION NAME		CUSTOMER DRAWING		
DATASET FILE NAME		<b>D35540BJ/02</b>		
		<b>D35540BJ_DC_MCDUCTMET/02A</b>		
UNLESS OTHERWISE SPECIFIED, DIMENSIONAL TOLERANCES ARE: mm [ IN ]		<b>PANDUIT</b> MATERIAL: <b>POLYVINYL CHLORIDE</b>		
.X ± .XX ± 3.1 [ .12 ]				
.XXX ± ANGLS ±		THIRD ANGLE PROJECTION		
DRAWN BY		DATE	CHK	SCALE
PM		6-5-98	HIW	NTS
		SHT 2 OF 3		K
				A

D10100DA/20

THIS COPY IS PROVIDED ON A RESTRICTED BASIS AND IS NOT TO BE USED IN ANY WAY DETRIMENTAL TO THE INTERESTS OF PANDUIT CORP.



NOMINAL DUCT SIZE (W)	C REF	HC	TC
25	24.6 (.97)	8.9 (.35)	1.55 (.061)
37	37.1 (1.46)	8.9 (.35)	1.55 (.061)
50	49.5 (1.95)	8.9 (.35)	1.55 (.061)
62	62.0 (2.44)	8.9 (.35)	1.55 (.061)
75	74.7 (2.94)	9.4 (.37)	1.65 (.065)
100	99.6 (3.92)	9.4 (.37)	1.65 (.065)

ALL DIMENSIONS ARE METRIC (INCHES).

REV	DATE	BY	CHK	APR	DESCRIPTION	ECN
4	01.12.17	BDK	MRJS	JADE	SEE SHEET 1 OF 3 FOR REVISIONS	35540-09

TITLE <b>WIRING DUCT TYPE "MC" METRIC</b>			
CUSTOMER DRAWING			
ITEM REVISION NAME <b>D35540BJ/02</b>		<b>PANDUIT</b>	
DATASET FILE NAME <b>D35540BJ_DC_MCDUCTMET/02A</b>			
UNLESS OTHERWISE SPECIFIED, DIMENSIONAL TOLERANCES ARE: mm [ IN ]		MATERIAL: <b>POLYVINYL CHLORIDE</b>	
.X ±	.XXX ±	THIRD ANGLE PROJECTION	
.XX ± 3.1 [ .12 ]	ANGLES ±		
DRAWN BY <b>PM</b>		DATE <b>6-5-98</b>	CHK <b>HIW</b>
SCALE <b>NTS</b>		SIZE <b>A</b>	

35540-09

SHT 3 OF 3

D10100DA/20