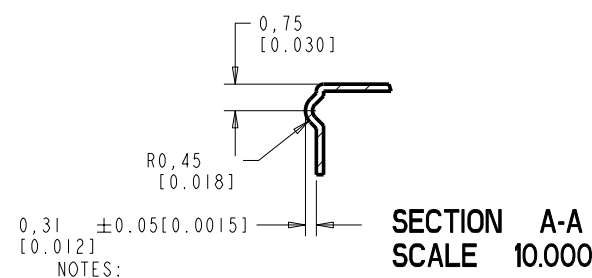
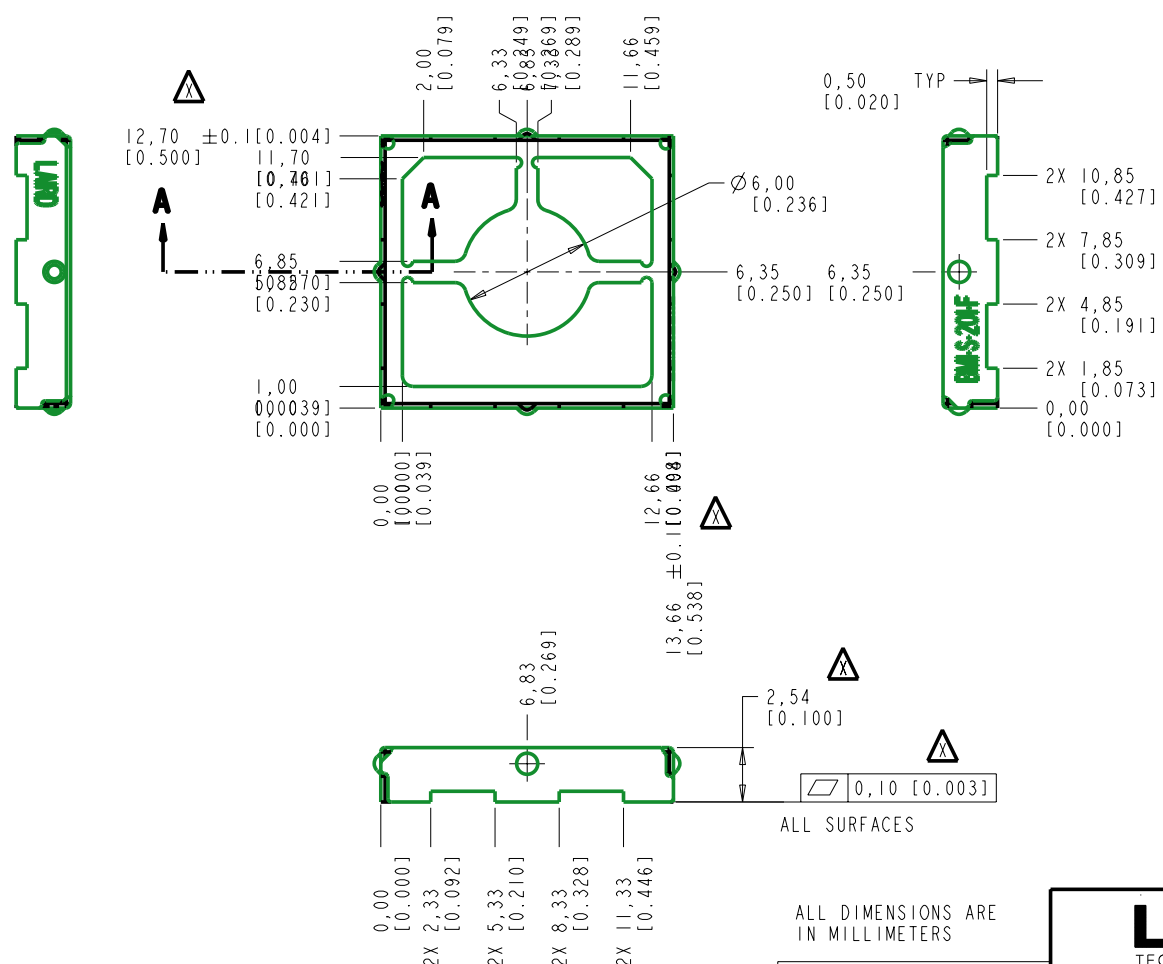


REVISION CHANGES				
REV	DESCRIPTION	DATE	BY	APPROVED
T2	ADDED CROSS SUPPORT FOR ORIENTATION	07/14/03	ARZ	
T3	SEE SHEET 2	12-08-03	ALP	
T4	P/N WAS BMI-S-201-F	03/10/05	ARZ	RJR
5	INSERTED DUAL DIMENSIONS & CARRIER TAPE	06/12/06	RCB	DG
6	P/N WAS BMIS-201-F, ADDED LAIRD MARK	08/15/07	IV	JE
7	CHANGE DIMPLE TOL. TO ± 0.05 [0.0015]	09/19/07	IV	JE



- NOTES:
- MATERIAL SPECIFICATIONS:
 - MATERIAL:
THICKNESS = 0.20 [0.008] ± 0.02 [0.0008]
TYPE: COLD ROLLED STEEL
 - SURFACE FINISH:
1.25 - 5.00 MICRONS [0.000049 - 0.000197]
100% MATTE TIN
 - TOLERANCE/APPEARANCE:
 - NO CHANGE IN PRODUCTION MATERIAL SHALL BE ALLOWED WITHOUT EXPLICIT PRIOR WRITTEN APPROVAL FROM LAIRD TECHNOLOGIES ENGINEERING DEPARTMENT.
 - PARTS SHALL BE FREE OF SHARP EDGES. BURRS SHALL NOT EXCEED 10% OF MATERIAL THICKNESS OR 0.15mm WHICHEVER IS LESS.
 - REFERENCE DIMENSIONS, SHOWN IN PARANTHESES (DIM), ARE WITHOUT TOLERANCE AND ARE FOR INFORMATION PURPOSES ONLY.
 - CRITICAL DIMENSIONS ARE DESIGNATED BY Δ
 - ALL RADII ARE TO BE R0.25 UNLESS OTHERWISE SPECIFIED.
 - PACKAGING:
 - TAPE AND REEL

Laird
TECHNOLOGIES

1751 WILKENING COURT
SCHAUMBURG, IL 60173

TITLE: SHIELD FRAME		PART NO. BMI-S-201-F	
CUSTOMER:	CUST. ENGR.	PROJECT: CATALOG	
DATE: 12/06/97	DATE: 12/06/97		
DRAWN BY: ARZ	SCALE: 6.000	SYSTEM: PRO/E	DWG SIZE
APP'D BY: ARZ	SHEET NO. 1 OF 2	FILE: BMI-S-201-F	REV. 7

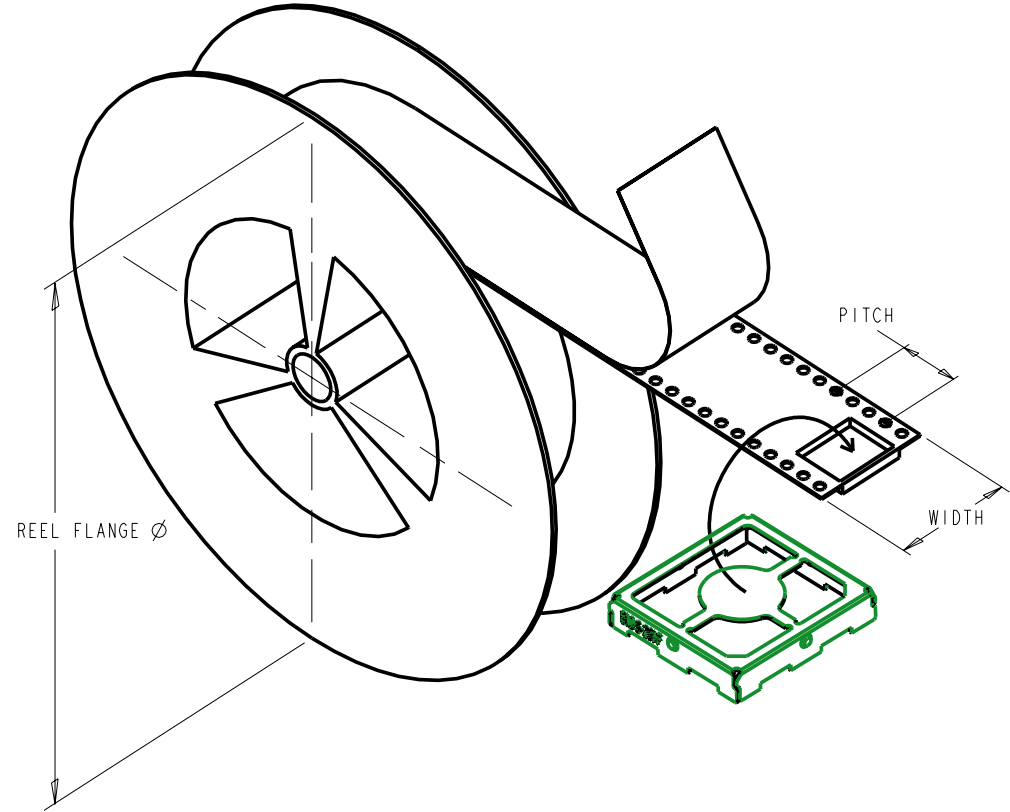
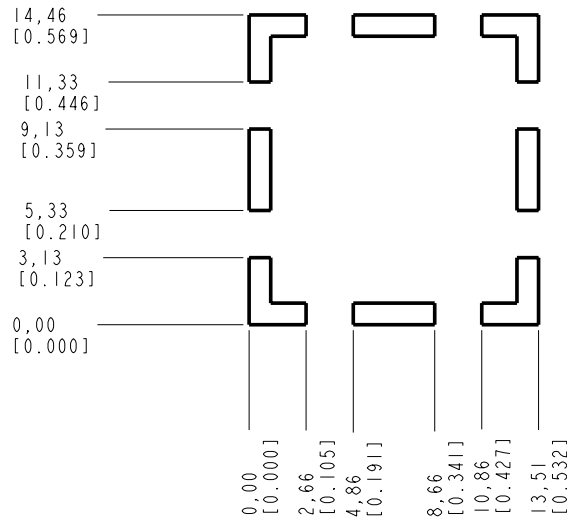
DO NOT SCALE PRINT

CONFIDENTIAL

This print is the property of Laird Tech. and is loaned in confidence subject to return upon request and with the understanding that no copies shall be made without the written consent of Laird Tech. All rights to design or invention are reserved.

REEL SPECIFICATIONS:
 >REEL DIAMETER= 330 (13.00)
 >WIDTH= 24 (0.945)
 >PITCH= 20 (0.787)
 >PARTS PER REEL=1000

REVISION CHANGES				
REV	DESCRIPTION	DATE	BY	APPROVED
T2	ADDED CROSS SUPPORT FOR ORIENTATION	07/14/03	ARZ	
T3	SEE SHEET 2	12-08-03	ALP	
T4	P/N WAS BMI-S-201-F	03/10/05	ARZ	RJR
5	INSERTED DUAL DIMENSIONS & CARRIER TAPE	06/12/06	RCB	DG
6	P/N WAS BMIS-201-F, ADDED LAIRD MARK	08/15/07	IV	JE
7	CHANGE DIMPLE TOL. TO ± 0.05 [0.0015]	09/19/07	IV	JE



FOOT PRINT LAYOUT

ALL DIMENSIONS ARE IN MILLIMETERS

TOLERANCES UNLESS SPECIFIED	
0.50 - 6.00	± 0.10
6.00 - 30.00	± 0.20
30.00 - 120.00	± 0.30
120.00 - 400.00	± 0.50
Ø HOLE	± 0.10
ANGULAR TOL.	$\pm 1^\circ$



1751 WILKENING COURT
 SCHAUMBURG, IL 60173

TITLE: SHIELD FRAME		CUST. ENGR.		PART NO. BMI-S-201-F	
PROJECT: CATALOG		DATE: 12/06/97		SYSTEM: PRO/E	
DRAWN BY: ARZ		SCALE: 6.000		DWG SIZE: C	
APP'D BY: ARZ		SHEET NO. 2 OF 2		REV. 7	

DO NOT SCALE PRINT

LAIRD TECH. COPYRIGHT 2002

THE DRAWING ON THIS PRINT AND INFORMATION THEREWITH ARE PROPRIETARY TO LAIRD TECH, AND SHALL NOT BE USED OR DISCUSSED INWHOLE OR IN PART WITHOUT LAIRD TECH'S CONSENT.