

ICL3221EM, ICL3221EF

±15kV ESD Protected, +3.3V, 1µA, 250kbps, RS-232 Transmitters/Receivers

The [ICL3221EM](#) and [ICL3221EF](#) devices are 3.3V powered RS-232 transmitters/receivers that meet EIA/TIA-232 and V.28/V.24 specifications. Additionally, they provide ±15kV ESD protection (IEC61000-4-2 Air Gap and Human Body Model) on transmitter outputs and receiver inputs (RS-232 pins). Efficient on-chip charge pumps, coupled with manual and automatic powerdown functions, reduce the standby supply current to a 1µA trickle. Small footprint packaging, and the use of small, low value capacitors ensure board space savings as well. Data rates greater than 250kbps are ensured at worst case load conditions. These devices are fully compatible with 3.3V-only systems.

The ICL3221EM and ICL3221EF feature an automatic power-down function that powers down the on-chip power-supply and driver circuits. Power-down occurs when an attached peripheral device is shut off or the RS-232 cable is removed, and conserves system power automatically without changes to the hardware or operating system. These devices power up again when a valid RS-232 voltage is applied to any receiver input.

[Table 1](#) summarizes the features of the ICL3221EM and ICL3221EF.

Related Literature

For a full list of related documents, visit our website:

- [ICL3221EM](#), [ICL3221EF](#) device pages

Features

- ESD protection for RS-232 I/O pins to ±15kV (IEC61000)
- RS-232 compatible with V_{CC} = 2.7V
- Meets EIA/TIA-232 and V.28/V.24 specifications at 3V
- Latch-up free
- On-chip voltage converters require only four external 0.1µF capacitors
- Manual and automatic powerdown features
- Receiver hysteresis for improved noise immunity
- Assured minimum data rate: 250kbps
- Power supply range : single +3.0V to +3.6V
- Low supply current in powerdown state: 1µA
- Pb-free (RoHS compliant)

Applications

- Any system requiring RS-232 communication ports
 - Battery powered, hand-held, and portable equipment
 - Modems, printers, and other peripherals

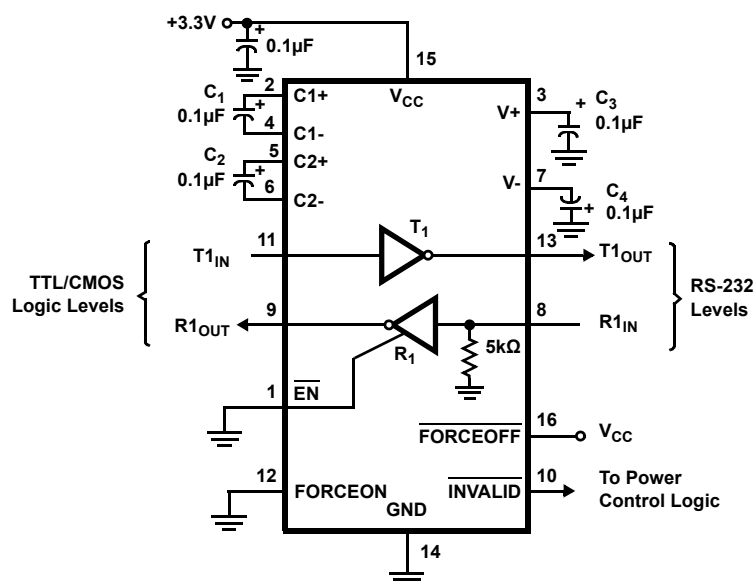


Figure 1. Typical Operating Circuit

Contents

1. Overview	3
1.1 Ordering Information	3
1.2 Pin Configuration	4
1.3 Pin Descriptions	4
2. Specifications	5
2.1 Absolute Maximum Ratings	5
2.2 Thermal Information	5
2.3 Recommended Operating Conditions	5
2.4 Electrical Specifications	5
3. Typical Performance Curves	8
4. Application Information	9
4.1 Charge Pump	9
4.1.1 Charge Pump Abs Max Ratings	9
4.2 Transmitters	10
4.3 Receivers	10
4.4 Low Power Operation	11
4.5 Powerdown Functionality	11
4.5.1 Software Controlled (Manual) Powerdown	11
4.5.2 <u>INVALID</u> Output	12
4.5.3 Automatic Powerdown	13
4.6 Receiver ENABLE Control	14
4.7 Capacitor Selection	14
4.8 Power Supply Decoupling	15
4.9 Operation Down to 2.7V	15
4.10 Transmitter Outputs when Exiting Powerdown	15
4.11 High Data Rates	16
4.12 Interconnection with 3V and 5V Logic	16
4.13 Pin Compatible Replacements for 5V Devices	17
5. ±15kV ESD Protection	18
5.1 Human Body Model (HBM) Testing	18
5.2 IEC61000-4-2 Testing	18
5.3 Air-Gap Discharge Test Method	18
5.4 Contact Discharge Test Method	18
6. Die Characteristics	19
7. Revision History	20
8. Package Outline Drawing	21

1. Overview

1.1 Ordering Information

Part Number (Notes 2, 3)	Part Marking	Temp Range (°C)	Tape and Reel (Units) (Note 1)	Package (RoHS Compliant)	Pkg. Dwg. #
ICL3221EMVZ	3221 EMVZ	-55 to +125	-	16 Ld TSSOP	M16.173
ICL3221EMVZ-T	3221 EMVZ	-55 to +125	2.5k	16 Ld TSSOP	M16.173
ICL3221EFVZ	3221 EFVZ	-40 to +125	-	16 Ld TSSOP	M16.173
ICL3221EFVZ-T	3221 EFVZ	-40 to +125	2.5k	16 Ld TSSOP	M16.173
ICL3221EFVZ-T7A	3221 EFVZ	-40 to +125	250	16 Ld TSSOP	M16.173

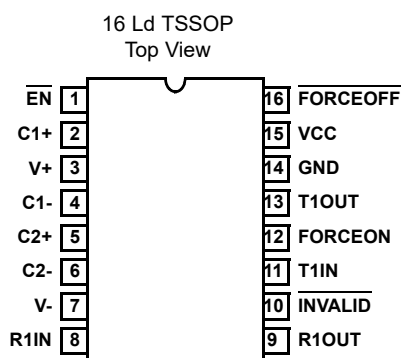
Notes:

1. See [TB347](#) for details about reel specifications.
2. These Pb-free plastic packaged products employ special Pb-free material sets, molding compounds/die attach materials, and 100% matte tin plate plus anneal (e3 termination finish, which is RoHS compliant and compatible with both SnPb and Pb-free soldering operations). Pb-free products are MSL classified at Pb-free peak reflow temperatures that meet or exceed the Pb-free requirements of IPC/JEDEC J-STD-020.
3. For Moisture Sensitivity Level (MSL), see the [ICL3221EM](#), [ICL3221EF](#) device pages. For more information about MSL, see [TB363](#).

Table 1. Summary of Features

Part Number	Number of Tx	Number of Rx	Data Rate (kbps)	Receiver Enable Function?	Ready Output?	Manual Power-Down?	Automatic Power-Down Function?
ICL3221EM	1	1	250	Yes	No	Yes	Yes
ICL3221EF	1	1	250	Yes	No	Yes	Yes

1.2 Pin Configuration



1.3 Pin Descriptions

Pin	Pin Number	Function
$\overline{\text{EN}}$	1	Active low receiver enable control
C1+	2	External capacitor (voltage doubler) is connected to this lead.
V+	3	Internally generated positive transmitter supply (+5.5V).
C1-	4	External capacitor (voltage doubler) is connected to this lead.
C2+	5	External capacitor (voltage inverter) is connected to this lead.
C2-	6	External capacitor (voltage inverter) is connected to this lead.
V-	7	Internally generated negative transmitter supply (-5.5V).
R1IN	8	$\pm 15\text{kV}$ ESD protected, RS-232 compatible receiver inputs.
R1OUT	9	TTL/CMOS level receiver outputs.
$\overline{\text{INVALID}}$	10	Active low output that indicates if no valid RS-232 levels are present on any receiver input.
T1IN	11	TTL/CMOS compatible transmitter Inputs.
FORCEON	12	Active high input to override automatic powerdown circuitry thereby keeping transmitters active ($\overline{\text{FORCEOFF}}$ must be high).
T1OUT	13	$\pm 15\text{kV}$ ESD protected, RS-232 level (nominally $\pm 5.5\text{V}$) transmitter outputs.
GND	14	Ground connection.
VCC	15	System power supply input (3.0V to 3.6V).
$\overline{\text{FORCEOFF}}$	16	Active low to shut down transmitters and on-chip power supply that overrides any automatic circuitry and FORCEON (see Table 5 on page 11).

2. Specifications

2.1 Absolute Maximum Ratings

Parameter	Minimum	Maximum	Unit
V _{CC} to Ground	-0.3	6	V
V+ to Ground	-0.3	7	V
V- to Ground	+0.3	-7	V
V+ to V-		14	V
Input Voltages			
T _{IN} , FORCEOFF, FORCEON, EN	-0.3	6	V
R _{IN}		±25	V
Output Voltages			
T _{OUT}		±13.2	V
R _{OUT} , INVALID	-0.3	V _{CC} +0.3	V
Short-Circuit Duration			
T _{OUT}		Continuous	
ESD Rating	(See "ESD Performance" on page 7)		

CAUTION: Do not operate at or near the maximum ratings listed for extended periods of time. Exposure to such conditions can adversely impact product reliability and result in failures not covered by warranty.

2.2 Thermal Information

Thermal Resistance (Typical, Note 4)	θ _{JA} (°C/W)
16 Ld TSSOP Package	145

Note:

- θ_{JA} is measured with the component mounted on a low-effective thermal conductivity test board in free air. See [TB379](#).

Parameter	Minimum	Maximum	Unit
Maximum Junction Temperature (Plastic Package)		+150	°C
Maximum Storage Temperature Range	-65	+150	°C
Pb-Free Reflow Profile	see TB493		

2.3 Recommended Operating Conditions

Parameter	Minimum	Maximum	Unit
Operating Voltage	+3.0	+3.6	V
Temperature Range			
ICL3221EM	-55	+125	°C
ICL3221EF	-40	+125	°C

2.4 Electrical Specifications

Test conditions: V_{CC} = 3.3V ±10%, C₁ - C₄ = 0.1μF; unless otherwise specified. Typical at T_A = +25°C. **Boldface limits apply across the operating temperature ranges, -55°C to +125°C (ICL3221EM) and -40°C to +125°C (ICL3221EF).**

Parameter	Test Conditions	Temp (°C)	Min (Note 6)	Typ	Max (Note 6)	Unit
DC Characteristics						
Supply Current, Automatic Power-Down	All R _{IN} Open, FORCEON = GND, FORCEOFF = V _{CC}	Full		1.0	10	μA

Test conditions: $V_{CC} = 3.3V \pm 10\%$, $C_1 - C_4 = 0.1\mu F$; unless otherwise specified. Typical at $T_A = +25^\circ C$. **Boldface limits apply across the operating temperature ranges, $-55^\circ C$ to $+125^\circ C$ (ICL3221EM) and $-40^\circ C$ to $+125^\circ C$ (ICL3221EF).** (Continued)

Parameter	Test Conditions	Temp (°C)	Min (Note 6)	Typ	Max (Note 6)	Unit
Supply Current, Powerdown	FORCEOFF = GND	Full		1.0	10	μA
Supply Current, Automatic Power-Down Disabled	All Outputs Unloaded, FORCEON = FORCEOFF = V_{CC}	Full		0.3	1.8	mA
Logic and Transmitter Inputs and Receiver Outputs						
Input Logic Threshold Low	T_{IN} , FORCEON, FORCEOFF, \overline{EN}	Full			0.8	V
Input Logic Threshold High	T_{IN} , FORCEON, FORCEOFF, \overline{EN}	Full	2.0			V
Input Leakage Current	T_{IN} , FORCEON, FORCEOFF, \overline{EN}	Full		±0.01	±10	μA
Output Leakage Current	FORCEOFF = GND or $\overline{EN} = V_{CC}$	Full		±0.05	±10	μA
Output Voltage Low	$I_{OUT} = 1.6mA$	Full		-	0.4	V
Output Voltage High	$I_{OUT} = -1.0mA$	Full	$V_{CC} - 0.6$	$V_{CC} - 0.1$		V
Automatic Powerdown (FORCEON = GND, FORCEOFF = V_{CC})						
Receiver Input Thresholds to Enable Transmitters	Power-up (see Figure 10)	Full	-2.7		2.7	V
Receiver Input Thresholds to Disable Transmitters	Power-down (see Figure 10)	Full	-0.3		0.3	V
INVALID Output Voltage Low	$I_{OUT} = 1.6mA$	Full			0.4	V
INVALID Output Voltage High	$I_{OUT} = -1.0mA$	Full	$V_{CC} - 0.6$			V
Receiver Threshold to Transmitters Enabled Delay (t_{WU})		25		100		μs
Receiver Positive or Negative Threshold to INVALID High Delay (t_{INVH})		25		1		μs
Receiver Positive or Negative Threshold to INVALID Low Delay (t_{INVL})		25		30		μs
Receiver Input						
Input Voltage Range		25	-25		25	V
Input Threshold Low	$V_{CC} = 3.3V$	25	0.6	1.2		V
Input Threshold High	$V_{CC} = 3.3V$	25		1.5	2.4	V
Input Hysteresis		25		0.5		V
Input Resistance		25	3	5	7	kΩ
Transmitter Output						
Output Voltage Swing	All transmitter outputs loaded with 3kΩ to ground	Full	±5.0	±5.4		V
Output Resistance	$V_{CC} = V+ = V- = 0V$, transmitter output = ±2V	Full	300	10M		Ω
Output Short-Circuit Current		Full		±35	±60	mA
Output Leakage Current	$V_{OUT} = \pm 12V$, $V_{CC} = 0V$ or 3V to 3.6V, automatic power-down or FORCEOFF = GND	Full			±25	μA
Timing Characteristics						
Maximum Data Rate	$R_L = 3k\Omega$, $C_L = 1000pF$, one transmitter switching	Full	250	500		kbps
Receiver Propagation Delay	Receiver input to receiver output, $C_L = 150pF$	t_{PHL}	25		0.15	μs
		t_{PLH}	25		0.15	μs
Receiver Output Enable Time	Normal operation	25		200		ns
Receiver Output Disable Time	Normal operation	25		200		ns
Transmitter Skew	t_{PHL} to t_{PLH} (Note 5)	25		100	1000	ns
Receiver Skew	t_{PHL} to t_{PLH}	25		50	1000	ns

Test conditions: $V_{CC} = 3.3V \pm 10\%$, $C_1 - C_4 = 0.1\mu F$; unless otherwise specified. Typical at $T_A = +25^\circ C$. **Boldface limits apply across the operating temperature ranges, $-55^\circ C$ to $+125^\circ C$ (ICL3221EM) and $-40^\circ C$ to $+125^\circ C$ (ICL3221EF).** (Continued)

Parameter	Test Conditions	Temp (°C)	Min (Note 6)	Typ	Max (Note 6)	Unit
Transition Region Slew Rate	$V_{CC} = 3.3V$, $R_L = 3k\Omega$ to $7k\Omega$, Measured from 3V to -3V or -3V to 3V	$C_L = 150pF$ to $2500pF$	25	4	30	V/ μs
		$C_L = 150pF$ to $1000pF$	25	6	30	V/ μs
ESD Performance						
RS-232 Pins (TOUT, RIN)	Human body model	25		± 15		kV
	IEC61000-4-2 contact discharge	25		± 8		kV
	IEC61000-4-2 air gap discharge	25		± 15		kV
All Other Pins	Human body model	25		± 2		kV

Notes:

5. Transmitter skew is measured at the transmitter zero crossing points.

6. Parts are 100% tested at $+25^\circ C$. Full temperature limits are established by bench and tester characterization.

3. Typical Performance Curves

$V_{CC} = 3.3V$, $T_A = +25^\circ C$.

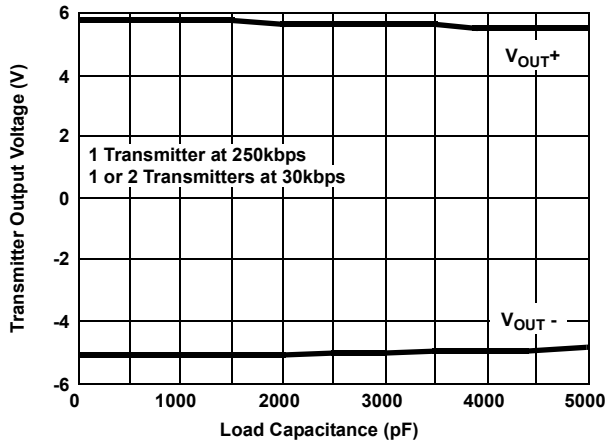


Figure 2. Transmitter Output Voltage vs Load Capacitance

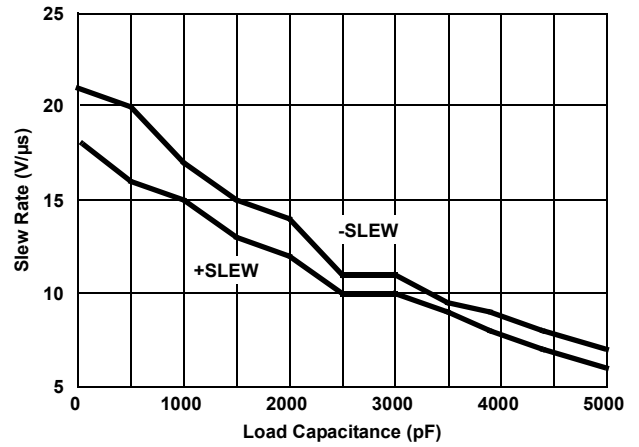


Figure 3. Slew Rate vs Load Capacitance

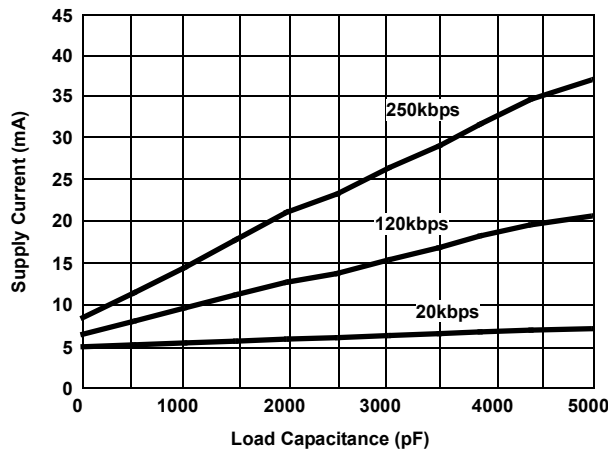


Figure 4. Supply Current vs Load Capacitance When Transmitting Data

4. Application Information

ICL3221EM and ICL3221EF interface ICs operate from a single +3V supply, ensure a 250kbps minimum data rate, require only four small external 0.1µF capacitors, feature low power consumption, and meet all EIA RS-232C and V.28 specifications.

4.1 Charge Pump

The ICL3221EM and ICL3221EF use regulated on-chip dual charge pumps as voltage doublers, and voltage inverters to generate ±5.5V transmitter supplies from a V_{CC} supply as low as 3.0V, which allows these devices to maintain RS-232 compliant output levels over the ±10% tolerance range of 3.3V powered systems. The efficient on-chip power supplies require only four small, external 0.1µF capacitors for the voltage doubler and inverter functions at $V_{CC} = 3.3V$. See [“Capacitor Selection” on page 14](#) and [Table 6 on page 15](#) for capacitor recommendations for other operating conditions. The charge pumps operate discontinuously (they turn off as soon as the V+ and V- supplies are pumped up to the nominal values), and provides significant power savings.

4.1.1 Charge Pump Abs Max Ratings

These 3V to 5V RS-232 transceivers have been fully characterized for 3.0V to 3.6V operation, and at critical points for 4.5V to 5.5V operation. Furthermore, load conditions were favorable using static logic states only.

The specified maximum values for V+ and V- are +7V and -7V, respectively. These limits apply for V_{CC} values set to 3.0V and 3.6V (see [Table 2](#)). For V_{CC} values set to 4.5V and 5.5V, the maximum values for V+ and V- can approach +9V and -7V, respectively ([Table 3](#)). The breakdown characteristics for V+ and V- were measured with ±13V.

Table 2. V+ and V- Values for $V_{CC} = 3.0V$ to 3.6V

C ₁ (µF)	C ₂ , C ₃ , C ₄ (µF)	Load	T1IN (Logic State)	V+ (V)		V- (V)	
				V _{CC} = 3.0V	V _{CC} = 3.6V	V _{CC} = 3.0V	V _{CC} = 3.6V
0.1	0.1	Open	H	5.80	6.56	-5.60	-5.88
			L	5.80	6.56	-5.60	-5.88
			2.4kbps	5.80	6.56	-5.60	-5.88
		3kΩ // 1000pF	H	5.88	6.60	-5.56	-5.92
			L	5.76	6.36	-5.56	-5.76
			2.4kbps	6.00	6.64	-5.64	-5.96
0.047	0.33	Open	H	5.68	6.00	-5.60	-5.60
			L	5.68	6.00	-5.60	-5.60
			2.4kbps	5.68	6.00	-5.60	-5.60
		3kΩ // 1000pF	H	5.76	6.08	-5.64	-5.64
			L	5.68	6.04	-5.60	-5.60
			2.4kbps	5.84	6.16	-5.64	-5.72
1	1	Open	H	5.88	6.24	-5.60	-5.60
			L	5.88	6.28	-5.60	-5.64
			2.4kbps	5.80	6.20	-5.60	-5.60
		3kΩ // 1000pF	H	5.88	6.44	-5.64	-5.72
			L	5.88	6.04	-5.64	-5.64
			2.4kbps	5.92	6.40	-5.64	-5.64

Table 3. V+ and V- Values for $V_{CC} = 4.5V$ to 5.5V

C ₁ (µF)	C ₂ , C ₃ , C ₄ (µF)	Load	T1IN (Logic State)	V+ (V)		V- (V)	
				V _{CC} = 4.5V	V _{CC} = 5.5V	V _{CC} = 4.5V	V _{CC} = 5.5V

Table 3. V+ and V- Values for V_{CC} = 4.5V to 5.5V (Continued)

0.1	0.1	Open	H	7.44	8.48	-6.16	-6.40
			L	7.44	8.48	-6.16	-6.44
			2.4kbps	7.44	8.48	-6.17	-6.44
		3kΩ // 1000pF	H	7.76	8.88	-6.36	-6.72
			L	7.08	8.00	-5.76	-5.76
			2.4kbps	7.76	8.84	-6.40	-6.64
0.047	0.33	Open	H	6.44	6.88	-5.80	-5.88
			L	6.48	6.88	-5.84	-5.88
			2.4kbps	6.44	6.88	-5.80	-5.88
		3kΩ // 1000pF	H	6.64	7.28	-5.92	-6.04
			L	6.24	6.60	-5.52	-5.52
			2.4kbps	6.72	7.16	-5.92	-5.96
1	1	Open	H	6.84	7.60	-5.76	-5.76
			L	6.88	7.60	-5.76	-5.76
			2.4kbps	6.92	7.56	-5.72	-5.76
		3kΩ // 1000pF	H	7.28	8.16	-5.80	-5.92
			L	6.44	6.84	-5.64	-6.84
			2.4kbps	7.08	7.76	-5.80	-5.80

The resulting new maximum voltages at V+ and V- are listed in [Table 4](#).

Table 4. New Measured Withstanding Voltages

V+, V- to Ground	±13V
V+ to V-	20V

4.2 Transmitters

The transmitters are proprietary, low dropout, inverting drivers that translate TTL/CMOS inputs to EIA/TIA-232 output levels. These transmitters are coupled with the on-chip ±5.5V supplies and deliver true RS-232 levels across a wide range of single supply system voltages.

The transmitter output disables and assumes a high impedance state when the device enters the powerdown mode (see [Table 5 on page 11](#)). These outputs can be driven to ±12V when disabled.

All devices ensure a 250kbps data rate for full load conditions (3kΩ and 1000pF), V_{CC} ≥ 3.0V, with one transmitter operating at full speed. Under more typical conditions of V_{CC} ≥ 3.3V, R_L = 3kΩ, and C_L = 250pF, one transmitter easily operates at 900kbps.

Transmitter inputs float if left unconnected, and can cause I_{CC} increases. Connect unused inputs to GND for best performance.

4.3 Receivers

The ICL3221EM and ICL3221EF devices contain standard inverting receivers that three-state using the $\overline{\text{EN}}$ or $\overline{\text{FORCEOFF}}$ control lines. The receivers convert RS-232 signals to CMOS output levels and accept inputs up to ±25V while presenting the required 3kΩ to 7kΩ input impedance (see [Figure 5 on page 11](#)) even if the power is off (V_{CC} = 0V). The receivers' Schmitt trigger input stage uses hysteresis to increase noise immunity and decrease errors due to slow input signal transitions.

The ICL3221EM's and ICL3221EF's inverting receivers are disabled only when $\overline{\text{EN}}$ is driven high (see [Table 5](#)).

Standard receivers driving powered down peripherals must be disabled to prevent current flow through the peripheral's protection diodes (see [Figures 6 and 7 on page 12](#)). When disabled, the receivers cannot be used for wake up functions, but the corresponding monitor receiver can be dedicated to this task as shown in [Figure 7](#).

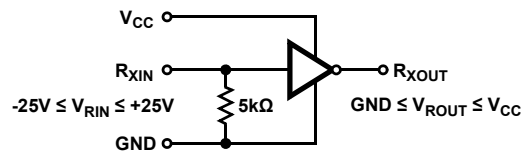


Figure 5. Inverting Receiver Connections

4.4 Low Power Operation

These 3V devices require a nominal supply current of 0.3mA, during normal operation (not in powerdown mode), which is considerably less than the 5mA to 11mA current required by comparable 5V RS-232 devices, allowing you to reduce system power simply by switching to this new family.

4.5 Powerdown Functionality

The already low current requirement drops significantly when the device enters powerdown mode. In power-down, supply current drops to 1μA, because the on-chip charge pump turns off ($V+$ collapses to V_{CC} , $V-$ collapses to GND), and the transmitter outputs three-state. Inverting receiver outputs can disable in powerdown; see [Table 5](#) for details. This micro-power mode makes these devices ideal for battery powered and portable applications.

4.5.1 Software Controlled (Manual) Powerdown

The ICL3221EM and ICL3221EF devices provide a pin that allows you to force the IC into the low power, standby state. Driving this pin high enables normal operation, and driving it low forces the IC into its powerdown state. Connect $\overline{\text{FORCEOFF}}$ to V_{CC} if the powerdown function is not needed. Note: All the receiver outputs remain enabled during shutdown (see [Table 5](#)). For the lowest power consumption during powerdown, the receivers should also be disabled by driving the $\overline{\text{EN}}$ input high (see [Figures 6](#) and [7](#)).

Table 5. Powerdown and Enable Logic Truth Table

RS-232 Signal Present at Receiver Input?	$\overline{\text{FORCEOFF}}$ Input	FORCEON Input	$\overline{\text{EN}}$ Input	Transmitter Outputs	Receiver Outputs	$\overline{\text{INVALID}}$ Output	Mode of Operation
ICL3221EM and ICL3221EF							
No	H	H	L	Active	Active	L	Normal Operation (Auto Powerdown Disabled)
No	H	H	H	Active	High-Z	L	
Yes	H	L	L	Active	Active	H	Normal Operation (Auto Powerdown Enabled)
Yes	H	L	H	Active	High-Z	H	
No	H	L	L	High-Z	Active	L	Powerdown Due to Auto Power-Down Logic
No	H	L	H	High-Z	High-Z	L	
Yes	L	X	L	High-Z	Active	H	Manual Powerdown
Yes	L	X	H	High-Z	High-Z	H	Manual Powerdown with Receiver Disabled
No	L	X	L	High-Z	Active	L	Manual Powerdown
No	L	X	H	High-Z	High-Z	L	Manual Powerdown with Receiver Disabled

The ICL3221EM and ICL3221EF use a two pin approach where the FORCEON and $\overline{\text{FORCEOFF}}$ inputs determine the IC's mode. For always enabled operation, FORCEON and $\overline{\text{FORCEOFF}}$ are both strapped high. Under logic or software control, only the $\overline{\text{FORCEOFF}}$ input needs to be driven to switch between active and powerdown modes. The FORCEON state is not critical because $\overline{\text{FORCEOFF}}$ overrides FORCEON. However, if strictly manual control over powerdown is needed, you must strap FORCEON high to disable the automatic powerdown circuitry.

4.5.2 INVALID Output

The **INVALID** output always indicates whether a valid RS-232 signal is present at any of the receiver inputs (see [Table 5 on page 11](#)), giving you a way to determine when the interface block should power down. If an interface cable is disconnected and all the receiver inputs are floating (but pulled to GND by the internal receiver pull down resistors), the **INVALID** logic detects the invalid levels and drives the output low. The power management logic then uses this indicator to power down the interface block. Reconnecting the cable restores valid levels at the receiver inputs, **INVALID** switches high, and the power management logic wakes up the interface block. **INVALID** can also be used to indicate the DTR or RING INDICATOR signal as long as the other receiver inputs are floating or driven to GND (as in the case of a powered down driver). Connecting **FORCEOFF** and **FORCEON** together disables the automatic powerdown feature, and enables them to function as a manual **SHUTDOWN** (**SHDN**) input (see [Figure 8 on page 13](#)).

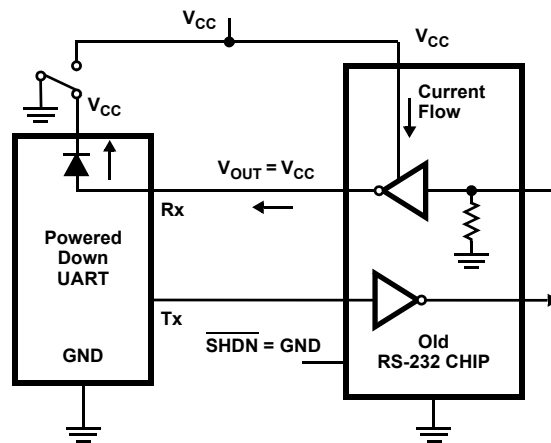


Figure 6. Power Drain Through Powered Down Peripheral

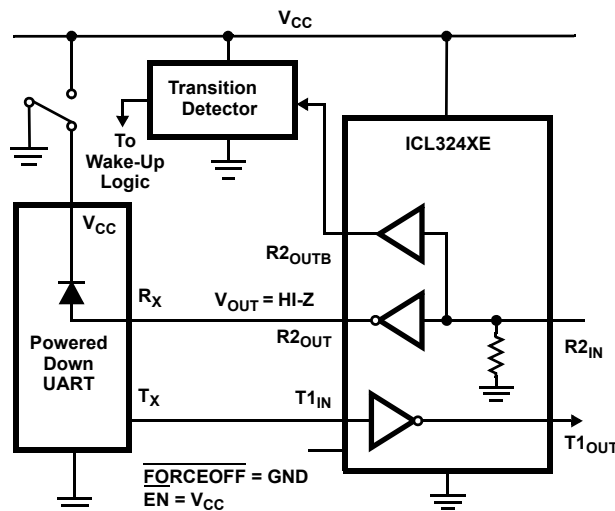


Figure 7. Disabled Receivers Prevent Power Drain

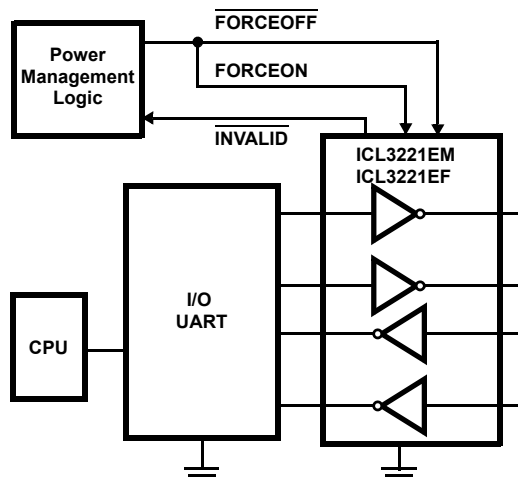


Figure 8. Connections for Manual Powerdown when No Valid Receiver Signals are Present

With any of the control schemes, the time required to exit power-down and resume transmission is only 100µs. A mouse or other application may need more time to wake up from shutdown. If automatic power-down is being used, the RS-232 device reenters powerdown if valid receiver levels are not reestablished within 30µs of the ICL3221EM and ICL3221EF powering up. [Figure 9](#) illustrates a circuit that prevents the ICL3221EM and ICL3221EF from initiating automatic powerdown for 100ms after powering up. The delay gives the slow-to-wake peripheral circuit time to reestablish valid RS-232 output levels.

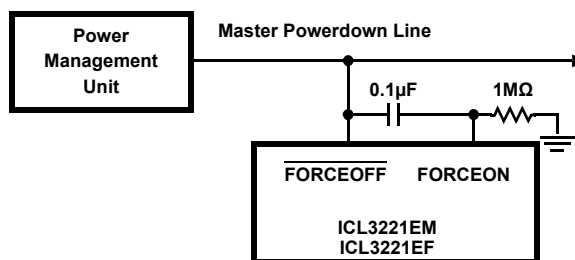


Figure 9. Circuit to Prevent Auto Powerdown for 100ms After Forced Power-Up

4.5.3 Automatic Powerdown

Even greater power savings are available by using the ICL3221EM and ICL3221EF's automatic powerdown function. When no valid RS-232 voltages (see [Figure 10](#)) are sensed on any receiver input for 30µs, the charge-pump and transmitters powerdown and reduce supply current to 1µA. Invalid receiver levels occur whenever the driving peripheral's outputs are shut off (powered down) or when the RS-232 interface cable is disconnected. The ICL3221EM and ICL3221EF power back up whenever they detect a valid RS-232 voltage level on any receiver input, which provides additional system power savings without changes to the existing operating system.

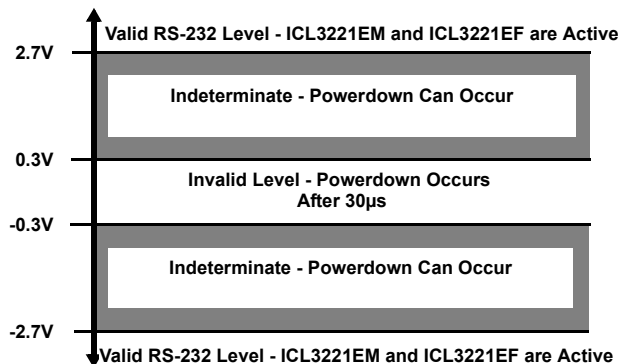


Figure 10. Definition of Valid RS-232 Receiver Levels

Automatic powerdown operates when the FORCEON input is low, and the $\overline{\text{FORCEOFF}}$ input is high. Tying FORCEON high disables automatic powerdown, but manual powerdown is always available using the overriding $\overline{\text{FORCEOFF}}$ input. [Table 5 on page 11](#) summarizes the automatic powerdown functionality.

Devices with the automatic powerdown feature include an $\overline{\text{INVALID}}$ output signal that switches low to indicate that invalid levels have persisted on all of the receiver inputs for more than 30µs (see [Figure 11](#)). $\overline{\text{INVALID}}$ switches high 1µs after detecting a valid RS-232 level on a receiver input. $\overline{\text{INVALID}}$ operates in all modes (forced or automatic power-down, or forced on), so it is also useful for systems employing manual powerdown circuitry. When automatic powerdown is used, $\overline{\text{INVALID}} = 0$ indicates that the ICL3221EM and ICL3221EF are in power-down mode.

The time to recover from automatic powerdown mode is typically 100µs.

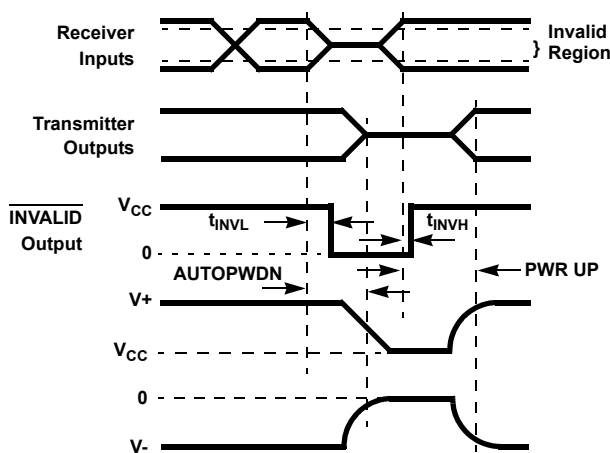


Figure 11. Automatic Powerdown and $\overline{\text{INVALID}}$ Timing Diagrams

4.6 Receiver ENABLE Control

The ICL3221EM and ICL3221EF also feature an $\overline{\text{EN}}$ input to control the receiver outputs. Driving $\overline{\text{EN}}$ high disables all the inverting (standard) receiver outputs placing them in a high impedance state, which is useful to eliminate supply current, due to a receiver output forward biasing the protection diode, when driving the input of a powered down ($V_{CC} = \text{GND}$) peripheral (see [Figure 6 on page 12](#)).

4.7 Capacitor Selection

The charge pumps require 0.1µF capacitors for 3.3V operation. For other supply voltages, see [Table 6 on page 15](#) for capacitor values. Do not use values smaller than those listed in [Table 6](#). Increasing the capacitor values (by a factor of 2) reduces ripple on the transmitter outputs and slightly reduces power consumption. C_2 , C_3 , and C_4 can be increased without increasing C_1 's value; however, do not increase C_1 without also increasing C_2 , C_3 , and C_4 to maintain the proper ratios (C_1 to the other capacitors).

When using minimum required capacitor values, make sure that capacitor values do not degrade excessively with temperature. If in doubt, use capacitors with a larger nominal value. The capacitor's Equivalent Series Resistance (ESR) usually rises at low temperatures and it influences the amount of ripple on V+ and V-.

Table 6. Required Capacitor Values

V_{CC} (V)	C_1 (μ F)	C_2, C_3, C_4 (μ F)
3.0 to 3.6	0.1	0.1

4.8 Power Supply Decoupling

In most circumstances a 0.1 μ F bypass capacitor is adequate. In applications that are particularly sensitive to power supply noise, decouple V_{CC} to ground with a capacitor of the same value as the charge-pump capacitor C_1 . Connect the bypass capacitor as close as possible to the IC.

4.9 Operation Down to 2.7V

The ICL3221EM and ICL3221EF transmitter outputs meet RS-562 levels ($\pm 3.7V$), at full data rate, with V_{CC} as low as 2.7V. RS-562 levels typically ensure interoperability with RS-232 devices.

4.10 Transmitter Outputs when Exiting Powerdown

[Figure 12](#) shows the response of two transmitter outputs when exiting powerdown mode. As they activate, the two transmitter outputs properly go to opposite RS-232 levels, with no glitching, ringing, nor undesirable transients. Each transmitter is loaded with 3k Ω in parallel with 2500pF. Note: The transmitters enable only when the magnitude of the supplies exceed approximately 3V.

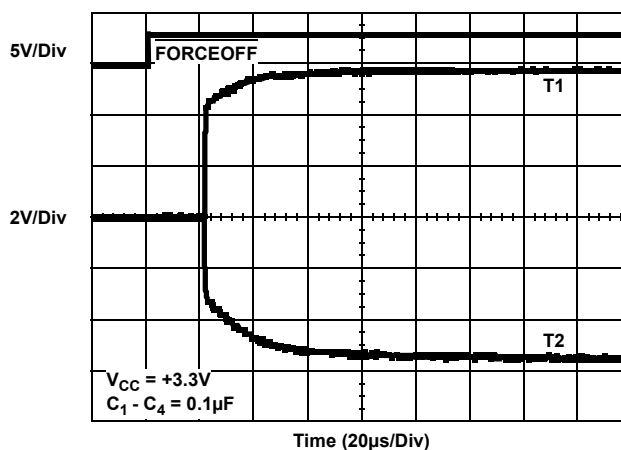


Figure 12. Transmitter Outputs When Exiting Powerdown

4.11 High Data Rates

The ICL3221EM and ICL3221EF maintain the RS-232 $\pm 5V$ minimum transmitter output voltages even at high data rates. [Figure 13](#) shows a transmitter loopback test circuit, and [Figure 14](#) shows the loopback test result at 120kbps. For this test, all transmitters were simultaneously driving RS-232 loads in parallel with 1000pF at 120kbps. [Figure 15](#) shows the loopback results for a single transmitter driving 1000pF and an RS-232 load at 250kbps. The static transmitters were also loaded with an RS-232 receiver.

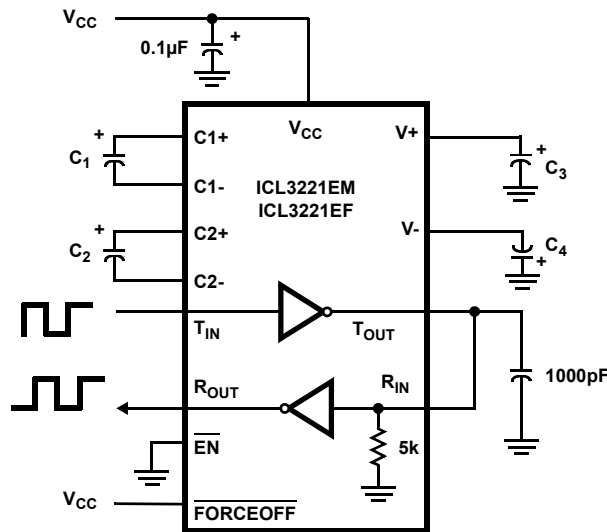


Figure 13. Transmitter Loopback Test Circuit

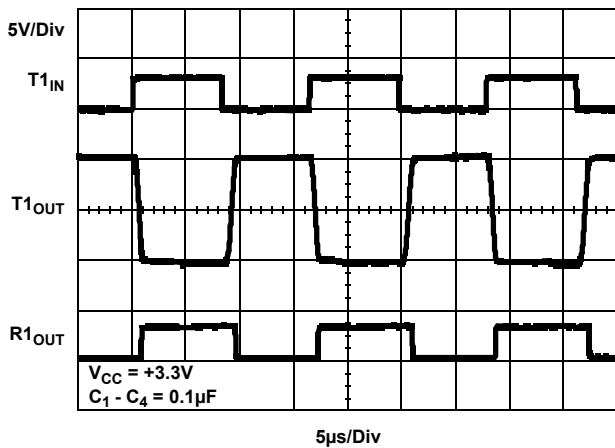


Figure 14. Loopback Test at 120kbps

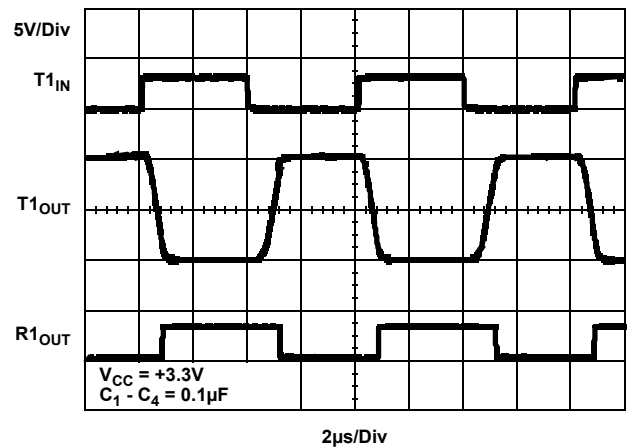


Figure 15. Loopback Test at 250kbps

4.12 Interconnection with 3V and 5V Logic

The ICL3221EM and ICL3221EF directly interface with 5V CMOS and TTL logic families. With the ICL3221EM and ICL3221EF at 3.3V, and the logic supply at 5V, AC, HC, and CD4000 outputs can drive ICL3221EM and ICL3221EF inputs, but ICL3221EM and ICL3221EF outputs do not reach the minimum V_{IH} for these logic families. See [Table 7](#) for more information.

Table 7. Logic Family Compatibility with Various Supply Voltages

System Power-Supply Voltage (V)	V _{CC} Supply Voltage (V)	Compatibility
3.3	3.3	Compatible with all CMOS families.

4.13 Pin Compatible Replacements for 5V Devices

The ICL3221EM and ICL3221EF are pin compatible with existing 5V RS-232 transceivers (see the “Features” section on [page 1](#) for details), which coupled with the low I_{CC} and wide operating supply range, make the ICL3221EM and ICL3221EF potential lower power, higher performance drop-in replacements for existing 5V applications. As long as the $\pm 5V$ RS-232 output swings are acceptable, and transmitter input pull-up resistors are not required, the ICL3221EM and ICL3221EF should work in most 5V applications.

When replacing a device in an existing 5V application, it is acceptable to terminate C_3 to V_{CC} as shown in [Figure 1 on page 1](#). Terminate C_3 to GND if possible, as slightly better performance results from this configuration.

5. ±15kV ESD Protection

All pins on the ICL3221EM and ICL3221EF devices include ESD protection structures, but the families incorporate advanced structures that allow the RS-232 pins (transmitter outputs and receiver inputs) to survive ESD events up to ±15kV. The RS-232 pins are particularly vulnerable to ESD damage because they typically connect to an exposed port on the exterior of the finished product. Touching the port pins or connecting a cable can cause an ESD event that might destroy unprotected ICs. The ESD structures protect the device whether or not it is powered up, protect without allowing any latch-up mechanism to activate, and do not interfere with RS-232 signals as large as ±25V.

5.1 Human Body Model (HBM) Testing

The Human Body Model (HBM) test method emulates the ESD event delivered to an IC during human handling. The tester delivers the charge through a 1.5kΩ current limiting resistor so the test is less severe than the IEC61000 test, which uses a 330Ω limiting resistor. The HBM method determines an IC's ability to withstand the ESD transients typically present during handling and manufacturing. Due to the random nature of these events, each pin is tested with respect to all other pins. The RS-232 pins on "E" family devices can withstand HBM ESD events to ±15kV.

5.2 IEC61000-4-2 Testing

The IEC61000 test method applies to finished equipment, rather than to an individual IC. Therefore, the pins most likely to suffer an ESD event are those that are exposed to the outside world (the RS-232 pins in this case), and the IC is tested in its typical application configuration (power applied) rather than testing each pin-to-pin combination. The lower current limiting resistor coupled with the larger charge storage capacitor yields a test that is much more severe than the HBM test. The extra ESD protection built into this device's RS-232 pins allows the design of equipment meeting Level 4 criteria without the need for additional board level protection on the RS-232 port.

5.3 Air-Gap Discharge Test Method

For the air-gap discharge test method, a charged probe tip moves toward the IC pin until the voltage arcs to it. The current waveform delivered to the IC pin depends on factors such as approach speed, humidity, and temperature, so it is difficult to obtain repeatable results. The "E" device RS-232 pins withstand ±15kV air-gap discharges.

5.4 Contact Discharge Test Method

During the contact discharge test, the probe contacts the tested pin before the probe tip is energized, and eliminate the variables associated with the air-gap discharge. The result is a more repeatable and predictable test, but equipment limits prevent testing devices at voltages higher than ±8kV. All "E" family devices survive ±8kV contact discharges on the RS-232 pins.

6. Die Characteristics

Substrate Potential (Powered Up)	GND
Transistor Count	286
Process	Si Gate CMOS

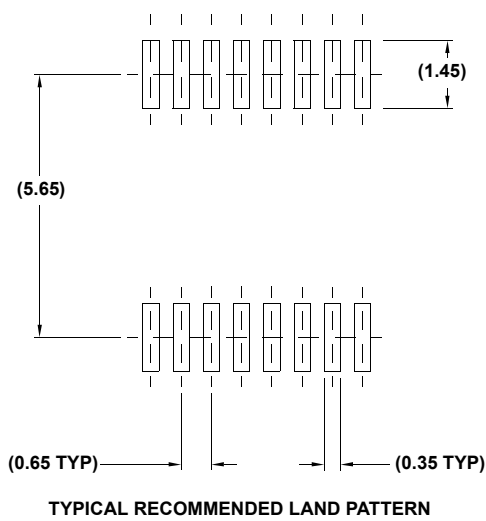
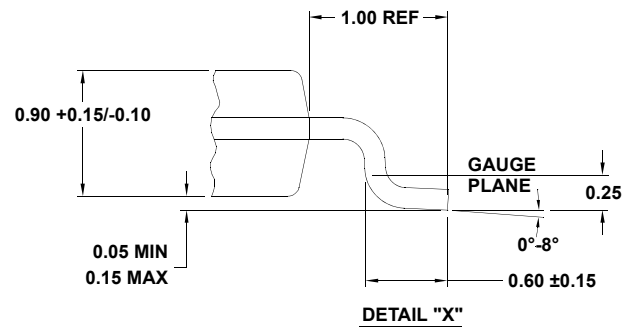
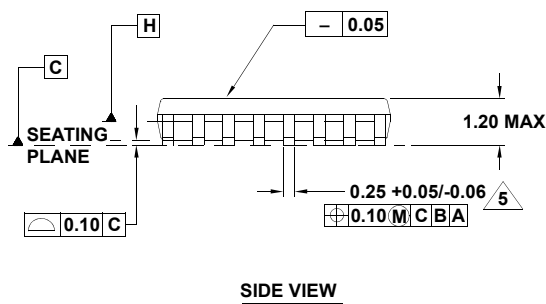
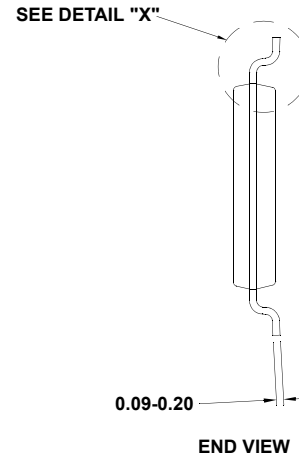
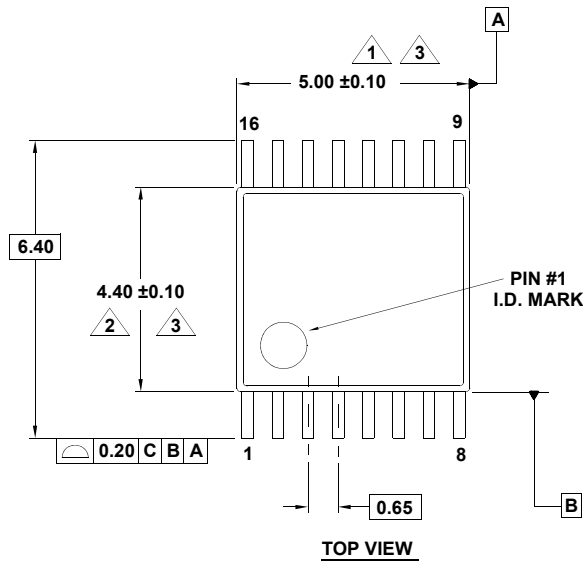
7. Revision History

Rev.	Date	Description
2.00	May.29.19	<p>Applied new formatting. Update links throughout document. Updated Ordering Information table by adding tape and reel parts and updating notes. Added "Charge Pump Abs Max Ratings" on page 9. Removed About Intersil section. Updated disclaimer.</p>
1.00	Oct.13.16	<p>Updated datasheet with new standards. In the first sentence on page 1 changed "3.0V" to "3.3V". Removed second Features bullet on page 1. Removed PDAs, palmtops, notebooks, laptops, digital cameras, cellular/mobile phones application references on page 1. Added ICL3221EF information throughout datasheet. Added Revision History and About Intersil sections. Updated M16.173 package outline drawing to the most current revision, changes are as follows: -Convert to new POD format by moving dimensions from table onto drawing and adding land pattern. No dimension changes</p>

8. Package Outline Drawing

For the most recent package outline drawing, see [M16.173](#).

M16.173
 16 LEAD THIN SHRINK SMALL OUTLINE PACKAGE (TSSOP)
 Rev 2, 5/10



NOTES:

1. Dimension does not include mold flash, protrusions or gate burrs. Mold flash, protrusions or gate burrs shall not exceed 0.15 per side.
2. Dimension does not include interlead flash or protrusion. Interlead flash or protrusion shall not exceed 0.25 per side.
3. Dimensions are measured at datum plane H.
4. Dimensioning and tolerancing per ASME Y14.5M-1994.
5. Dimension does not include dambar protrusion. Allowable protrusion shall be 0.08mm total in excess of dimension at maximum material condition. Minimum space between protrusion and adjacent lead is 0.07mm.
6. Dimension in () are for reference only.
7. Conforms to JEDEC MO-153.

Notice

1. Descriptions of circuits, software and other related information in this document are provided only to illustrate the operation of semiconductor products and application examples. You are fully responsible for the incorporation or any other use of the circuits, software, and information in the design of your product or system. Renesas Electronics disclaims any and all liability for any losses and damages incurred by you or third parties arising from the use of these circuits, software, or information.
2. Renesas Electronics hereby expressly disclaims any warranties against and liability for infringement or any other claims involving patents, copyrights, or other intellectual property rights of third parties, by or arising from the use of Renesas Electronics products or technical information described in this document, including but not limited to, the product data, drawings, charts, programs, algorithms, and application examples.
3. No license, express, implied or otherwise, is granted hereby under any patents, copyrights or other intellectual property rights of Renesas Electronics or others.
4. You shall not alter, modify, copy, or reverse engineer any Renesas Electronics product, whether in whole or in part. Renesas Electronics disclaims any and all liability for any losses or damages incurred by you or third parties arising from such alteration, modification, copying or reverse engineering.
5. Renesas Electronics products are classified according to the following two quality grades: "Standard" and "High Quality". The intended applications for each Renesas Electronics product depends on the product's quality grade, as indicated below.
 - "Standard": Computers; office equipment; communications equipment; test and measurement equipment; audio and visual equipment; home electronic appliances; machine tools; personal electronic equipment; industrial robots; etc.
 - "High Quality": Transportation equipment (automobiles, trains, ships, etc.); traffic control (traffic lights); large-scale communication equipment; key financial terminal systems; safety control equipment; etc.Unless expressly designated as a high reliability product or a product for harsh environments in a Renesas Electronics data sheet or other Renesas Electronics document, Renesas Electronics products are not intended or authorized for use in products or systems that may pose a direct threat to human life or bodily injury (artificial life support devices or systems; surgical implantations; etc.), or may cause serious property damage (space system; undersea repeaters; nuclear power control systems; aircraft control systems; key plant systems; military equipment; etc.). Renesas Electronics disclaims any and all liability for any damages or losses incurred by you or any third parties arising from the use of any Renesas Electronics product that is inconsistent with any Renesas Electronics data sheet, user's manual or other Renesas Electronics document.
6. When using Renesas Electronics products, refer to the latest product information (data sheets, user's manuals, application notes, "General Notes for Handling and Using Semiconductor Devices" in the reliability handbook, etc.), and ensure that usage conditions are within the ranges specified by Renesas Electronics with respect to maximum ratings, operating power supply voltage range, heat dissipation characteristics, installation, etc. Renesas Electronics disclaims any and all liability for any malfunctions, failure or accident arising out of the use of Renesas Electronics products outside of such specified ranges.
7. Although Renesas Electronics endeavors to improve the quality and reliability of Renesas Electronics products, semiconductor products have specific characteristics, such as the occurrence of failure at a certain rate and malfunctions under certain use conditions. Unless designated as a high reliability product or a product for harsh environments in a Renesas Electronics data sheet or other Renesas Electronics document, Renesas Electronics products are not subject to radiation resistance design. You are responsible for implementing safety measures to guard against the possibility of bodily injury, injury or damage caused by fire, and/or danger to the public in the event of a failure or malfunction of Renesas Electronics products, such as safety design for hardware and software, including but not limited to redundancy, fire control and malfunction prevention, appropriate treatment for aging degradation or any other appropriate measures. Because the evaluation of microcomputer software alone is very difficult and impractical, you are responsible for evaluating the safety of the final products or systems manufactured by you.
8. Please contact a Renesas Electronics sales office for details as to environmental matters such as the environmental compatibility of each Renesas Electronics product. You are responsible for carefully and sufficiently investigating applicable laws and regulations that regulate the inclusion or use of controlled substances, including without limitation, the EU RoHS Directive, and using Renesas Electronics products in compliance with all these applicable laws and regulations. Renesas Electronics disclaims any and all liability for damages or losses occurring as a result of your noncompliance with applicable laws and regulations.
9. Renesas Electronics products and technologies shall not be used for or incorporated into any products or systems whose manufacture, use, or sale is prohibited under any applicable domestic or foreign laws or regulations. You shall comply with any applicable export control laws and regulations promulgated and administered by the governments of any countries asserting jurisdiction over the parties or transactions.
10. It is the responsibility of the buyer or distributor of Renesas Electronics products, or any other party who distributes, disposes of, or otherwise sells or transfers the product to a third party, to notify such third party in advance of the contents and conditions set forth in this document.
11. This document shall not be reprinted, reproduced or duplicated in any form, in whole or in part, without prior written consent of Renesas Electronics.
12. Please contact a Renesas Electronics sales office if you have any questions regarding the information contained in this document or Renesas Electronics products.

(Note1) "Renesas Electronics" as used in this document means Renesas Electronics Corporation and also includes its directly or indirectly controlled subsidiaries.

(Note2) "Renesas Electronics product(s)" means any product developed or manufactured by or for Renesas Electronics.

(Rev.4.0-1 November 2017)

Corporate Headquarters

TOYOSU FORESIA, 3-2-24 Toyosu,
Koto-ku, Tokyo 135-0061, Japan
www.renesas.com

Contact Information

For further information on a product, technology, the most up-to-date version of a document, or your nearest sales office, please visit:
www.renesas.com/contact/

Trademarks

Renesas and the Renesas logo are trademarks of Renesas Electronics Corporation. All trademarks and registered trademarks are the property of their respective owners.