

Electronics Diagonal Cutters

DIN ISO 9654

77

- > for fine cutting work in electronics and fine mechanics
- > sturdy, zero backlash box-joint
- > low-friction double spring for gentle and even opening
- > mirror polish, with a fine film of oil, offers effective rust protection – no circuit faults caused by peeling chrome from plated tools
- > cutting edges induction hardened (approx. 60 HRC)
- > ball bearing steel

77 01 115 / 77 02 130 / 77 01 130

Round head, with bevel; cutting edge hardness approx. 62 HRC

77 02 115 / 77 22 130

Round head, with small bevel; cutting edge hardness approx. 60 HRC

77 12 115

Round head, with bevel and lead catcher – no uncontrolled loss of cut wire ends; cutting edge hardness approx. 62 HRC

77 21 115

Pointed head, without bevel; cutting edge hardness approx. 57 HRC

77 22 115

Round head, without bevel; cutting edge hardness approx. 57 HRC

77 32 115

Pointed head, with small bevel; cutting edge hardness approx. 60 HRC

77 42 115 / 77 42 130

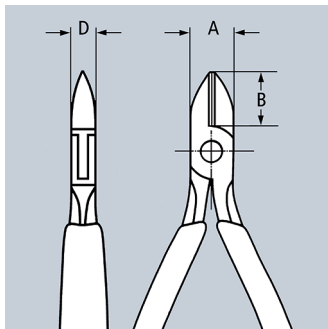
Pointed head, without bevel; cutting edge hardness approx. 57 HRC

77 52 115

Pointed, flat head, with small bevel; cutting edge hardness approx. 60 HRC

77 72 115

Pointed mini-head, with small bevel; cutting edge hardness approx. 60 HRC



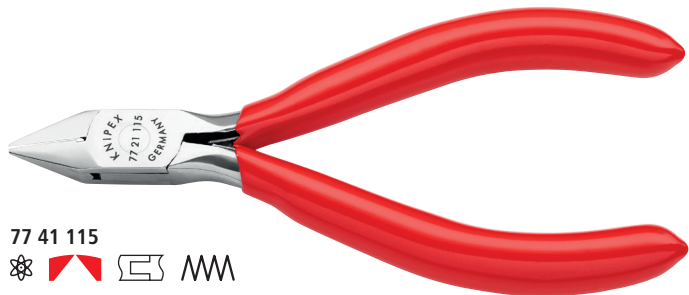
77 01 115



77 02 115



77 12 115



77 41 115



77 22 115





77 32 115
 MM



77 52 115
 MM



77 42 115
 MM



77 72 115
 MM

Product Number	Packaging	↔ Inch mm		Head	Handles	Cutting capacities			Dimensions			⚖ lbs
						Ø Inch Ø mm	Ø Inch Ø mm	Ø Inch Ø mm	A Inch mm	B Inch mm	D Inch mm	
77 01 115		4 1/2 115		mirror polished	plastic coated	1/64 - 1/16 0.3 - 1.6	3/64 1.2	1/64 0.3	7/16 11.0	35/64 14.0	19/64 7.5	0.15
77 01 130		5 1/4 130		mirror polished	plastic coated	1/64 - 5/64 0.3 - 2.0	1/16 1.5	1/32 0.8	19/32 15.0	23/32 18.3	3/8 9.5	0.24
77 02 115		4 1/2 115		mirror polished	multi-component grips	1/64 - 1/16 0.3 - 1.6	3/64 1.2	1/64 0.3	7/16 11.0	35/64 14.0	19/64 7.5	0.18
77 02 130		5 1/4 130		mirror polished	multi-component grips	1/64 - 5/64 0.3 - 2.0	1/16 1.5	1/32 0.8	19/32 15.0	23/32 18.3	3/8 9.5	0.30
77 11 115		4 1/2 115		mirror polished	single-component grips	1/64 - 1/16 0.3 - 1.6	3/64 1.2	1/64 0.3	7/16 11.0	35/64 14.0	19/64 7.5	0.18
77 12 115		4 1/2 115		mirror polished	multi-component grips	1/64 - 1/16 0.3 - 1.6	3/64 1.2	1/64 0.3	35/64 14.0	7/16 11.0	19/64 7.5	0.18
77 21 115 N		4 1/2 115		mirror polished	single-component grips	1/64 - 3/64 0.3 - 1.3	3/64 1.0	-	7/16 11.0	33/64 10.3	9/32 7.0	0.11
77 21 130		5 1/4 130		mirror polished	single-component grips	1/64 - 1/16 0.3 - 1.6	3/64 1.2	-	19/32 15.0	23/32 18.3	3/8 9.5	0.30
77 22 115		4 1/2 115		mirror polished	multi-component grips	1/64 - 3/64 0.3 - 1.3	3/64 1.0	-	7/16 11.0	35/64 14.0	9/32 7.0	0.18
77 22 130		5 1/4 130		mirror polished	multi-component grips	1/64 - 5/64 0.3 - 2.0	1/16 1.5	-	19/32 15.0	23/32 18.3	23/64 9.0	0.27
77 32 115		4 1/2 115		mirror polished	multi-component grips	1/64 - 3/64 0.3 - 1.3	3/64 1.0	1/64 0.5	7/16 11.0	35/64 14.0	19/64 7.5	0.18
77 41 115		4 1/2 115		mirror polished	plastic coated	1/64 - 3/64 0.3 - 1.3	1/32 0.8	-	35/64 14.0	1/2 13.0	19/64 7.5	0.18
77 42 115		4 1/2 115		mirror polished	multi-component grips	1/64 - 3/64 0.3 - 1.3	1/32 0.8	-	7/16 11.0	35/64 14.0	19/64 7.5	0.18
77 42 130		5 1/4 130		mirror polished	multi-component grips	1/64 - 1/16 0.3 - 1.6	3/64 1.3	-	19/32 15.0	23/32 18.3	3/8 9.5	0.18
77 52 115		4 1/2 115		mirror polished	multi-component grips	1/64 - 3/64 0.3 - 1.0	1/32 0.8	1/64 0.5	7/16 11.0	35/64 14.0	19/64 7.5	0.17
77 72 115		4 1/2 115		mirror polished	multi-component grips	1/64 - 1/32 0.3 - 0.8	-	-	3/8 9.5	13/32 10.5	15/64 6.0	0.15