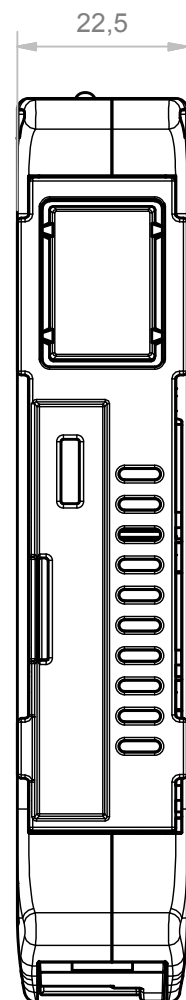
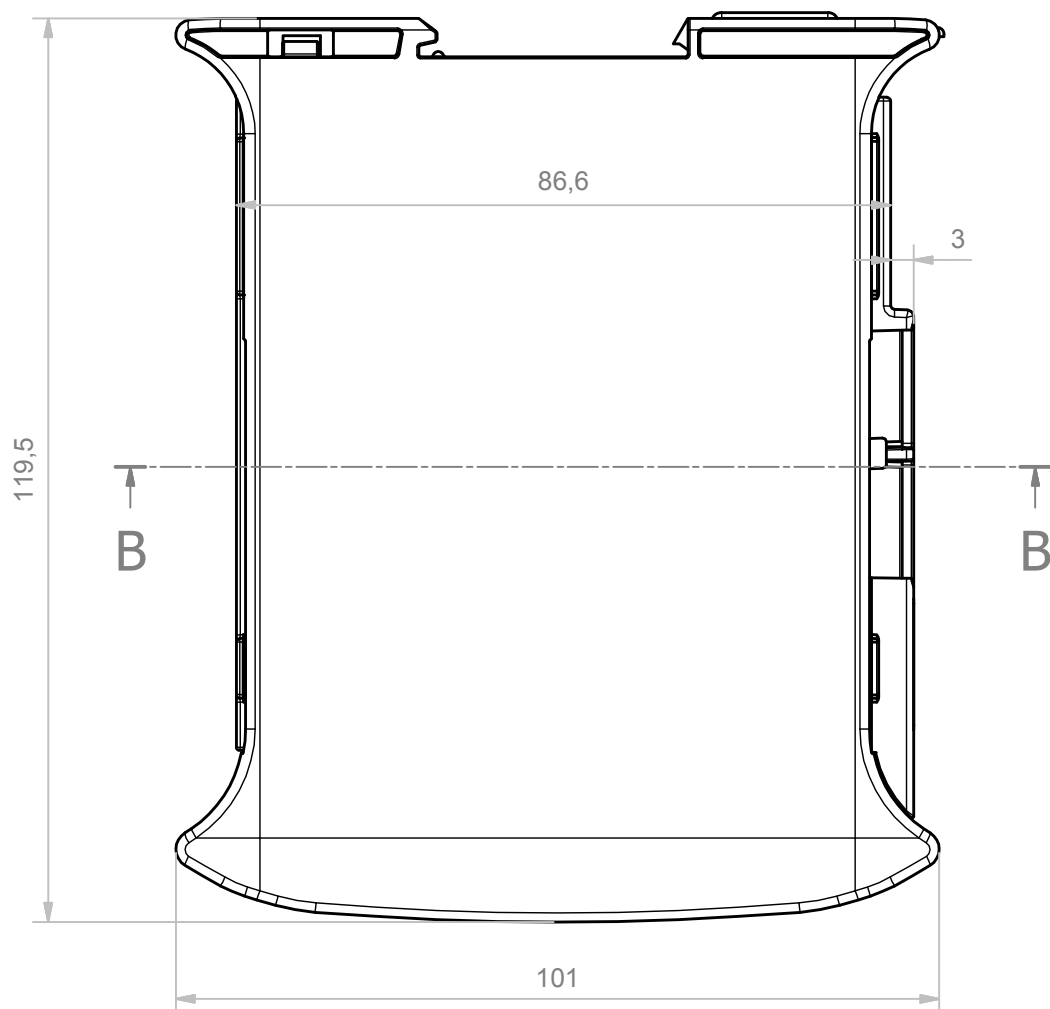
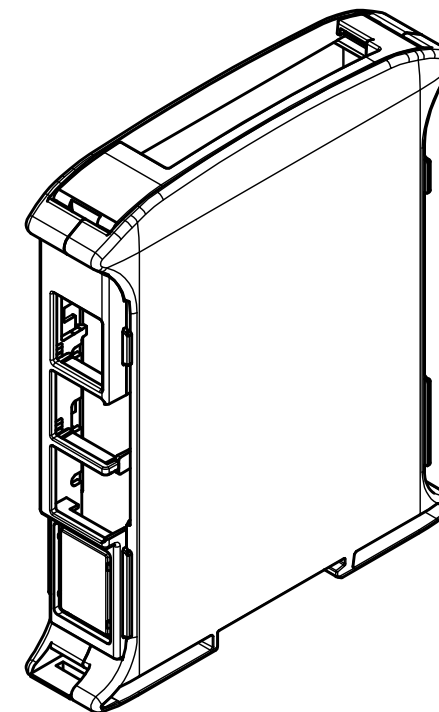
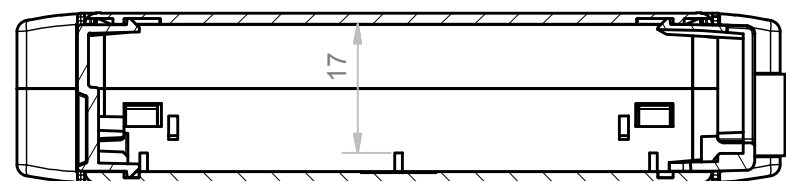


B-B (1:1)



COMPONENTS LIST				
RIF.	Q.TY	DESCRIPTION	CODE	
1	1	MOLLA PER AGGANCIAMENTO RAILBOX	P10000000M	
2	1	GANCIO RAILBOX ROSSO - RED HOOK RAILBOX	R-00249	
3	1	COPERCHIO 10 MM 3L - COVER 10 MM 3L	R-03497	
4	1	BASE RAILBOX 12.5 MM 3L	R-03429	
5	1	KIT ACCESSORI RASPBERRY B+ PER RAILBOX - KIT ACCESSORIES FOR RASPBERRY B + RAILBOX	R-05914	
Da 0,5 a 3		Oltre 3 fino a 6	Oltre 6 fino a 30	Oltre 30 fino a 120
± 0,1		± 0,1	± 0,2	± 0,3
Oltre 120		± 0,5		

**RESERVED PROPERTY**

The present drawing cannot be reproduced or communicated to 3d parties, even partially, without the authorization of ITALTRONIC Srl. Italtronic reserves to protect its own rights according to the law.



Dimension in mm

SHEET NR.

1 / 1

DRAWING BY



Manual modification are not allowed

GENERAL TOLERANCE

**UNI EN 22768/1**  
**Media (m)**

Date: 18/03/2015

Replace nr.

Drawn: Rigato N.

Checked: Dalla Montà D.

Scale: 1:1

5 4 3 2 1

Revision description



Denomination:  
**KIT 22,5 RAILBOX RASPBERRY PI B+**

**ITALTRONIC S.R.L.**  
VIA AUSTRIA 25/D 35127  
PADOVA - ITALY  
[www.italtronic.com](http://www.italtronic.com)

Drawing nr.  
**R-05915-00**