

Precision Electronics Diagonal Cutters

ESD

DIN ISO 9654

79

Electrically discharging handles – dissipative

- > precision pliers for ultra fine cutting work in electronics and fine mechanics
- > very precisely ground and sharp cutting edges with very small bevels for precise cutting work on small electronic components
- > cutting edge hardness (approx. 64 HRC)
- > approx. 20% lighter than conventional electronics pliers
- > bolted joint with particularly carefully manufactured joint surfaces for even, low-friction movement throughout the entire opening range
- > double spring for a gentle and even opening
- > ergonomically optimized handle covers
- > ball bearing chrome steel; forged, multi stage oil-hardened

79 02 120 ESD

Mini-head

79 02 125 ESD

Round head

79 12 125 ESD

Specifically for cutting through hard wire and piano wire

79 22 120 ESD

Mini-head

79 22 125 ESD

Round head

79 32 125 ESD

Pointed head

79 42 125 ESD

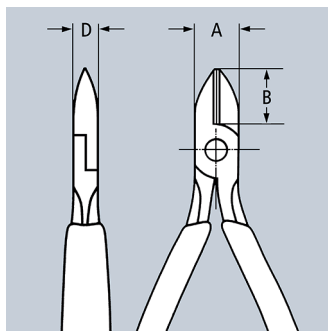
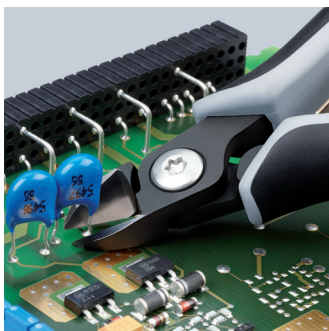
Pointed head

79 52 125 ESD

Pointed head; with lead catcher – no uncontrolled loss of cut wire ends

79 62 125 ESD

Pointed head; with lead catcher – no uncontrolled loss of cut wire ends



79 02 120 ESD



79 02 125 ESD



79 22 120 ESD



79 22 125 ESD



79 32 125 ESD



79 42 125 ESD



Sets of pliers can be found on page 203



ESD Pliers (electrostatic discharge)

Electrostatic energy is discharged through the handles in a gradual and controlled manner which protects components endangered by electrostatic discharge in accordance with applicable standards, e.g. IEC TR 61 340-5, DIN EN 61 340-5, SP Method 2472



Product Number	Packaging	↔ Inch mm		Pliers	Head	Handles	Cutting capacities				Dimensions			⚖ lbs
							⊘ Inch ⊘ mm	⊘ Inch ⊘ mm	⊘ Inch ⊘ mm	⊘ Inch ⊘ mm	A Inch mm	B Inch mm	D Inch mm	
79 02 120 ESD		4 3/4 120		burnished	polished	ESD multi-component grips	1/64 - 1/16 0.2 - 1.4	3/64 1.0	1/32 0.6	-	23/64 9.0	1/4 6.5	1/4 6.5	0.13
79 02 125 ESD		5 125		burnished	polished	ESD multi-component grips	1/64 - 5/64 0.2 - 2.0	3/64 1.3	1/32 0.7	-	7/16 11.0	25/64 10.0	1/4 6.5	0.13
79 12 125 ESD		5 125		burnished	polished	ESD multi-component grips	1/64 - 5/64 0.3 - 2.0	3/64 1.3	3/64 1.0	1/64 0.2	7/16 11.0	25/64 10.0	1/4 6.5	0.13
79 22 120 ESD		4 3/4 120		burnished	polished	ESD multi-component grips	1/64 - 3/64 0.1 - 1.3	1/32 0.8	-	-	23/64 9.0	1/4 6.5	1/4 6.5	0.13
79 22 125 ESD		5 125		burnished	polished	ESD multi-component grips	1/64 - 5/64 0.1 - 2.0	3/64 1.0	-	-	7/16 11.0	25/64 10.0	1/4 6.5	0.13
79 32 125 ESD		5 125		burnished	polished	ESD multi-component grips	1/64 - 1/16 0.2 - 1.5	3/64 1.1	1/64 0.2	-	7/16 11.0	7/16 11.0	1/4 6.5	0.13
79 42 125 ESD		5 125		burnished	polished	ESD multi-component grips	1/64 - 1/16 0.1 - 1.5	1/32 0.8	-	-	7/16 11.0	7/16 11.0	1/4 6.5	0.13
79 42 125 Z ESD		5 125		burnished	polished	ESD multi-component grips	up to 1/64 up to 0.2	-	-	-	7/16 11.0	7/16 11.0	1/4 6.5	0.13
79 52 125 ESD		5 125		burnished	polished	ESD multi-component grips	1/64 - 1/16 0.2 - 1.7	1/32 0.9	1/64 0.5	-	7/16 11.0	7/16 11.0	1/4 6.5	0.13
79 62 125 ESD		5 125		burnished	polished	ESD multi-component grips	1/64 - 1/16 0.1 - 1.7	1/32 0.8	-	-	7/16 11.0	7/16 11.0	1/4 6.5	0.13