

# Customer Information Sheet

DRAWING No.: R30-940XX00

SHEET 2 OF 2

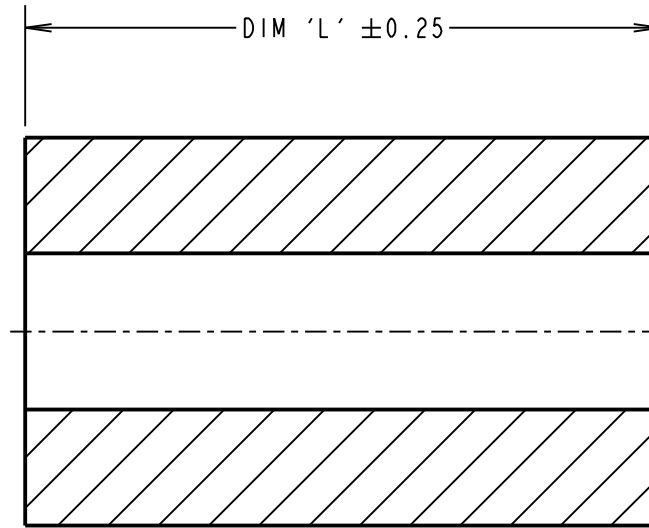
IF IN DOUBT - ASK

©

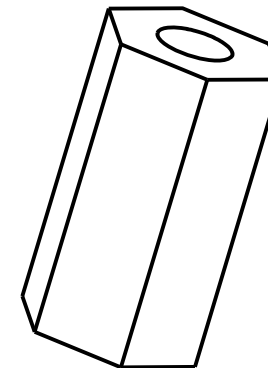
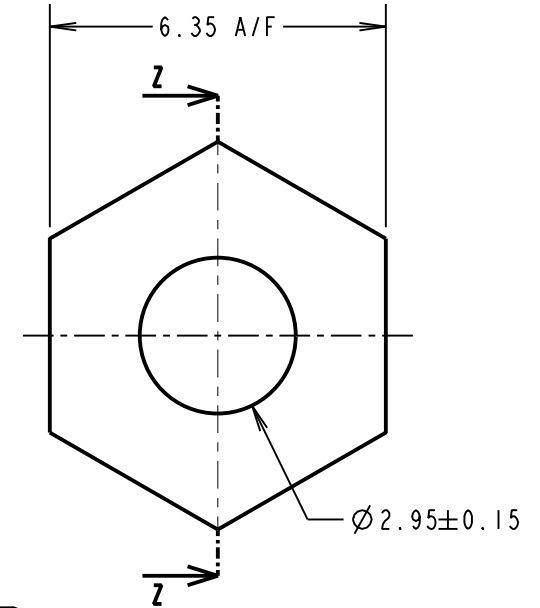
NOT TO SCALE

THIRD ANGLE PROJECTION

ALL DIMENSIONS IN mm



SECTION Z-Z



NOTES:  
1. SPACER SUITED TO 3mm (No. 4) SELF-TAPPING SCREW.

PART No.	DIM 'L'
R30-9400300	3.00
R30-9400400	4.00
R30-9400500	5.00
R30-9400600	6.00
R30-9400700	7.00
R30-9400800	8.00
R30-9400900	9.00
R30-9401000	10.00
R30-9401100	11.00
R30-9401200	12.00
R30-9401300	13.00
R30-9401400	14.00
R30-9401500	15.00
R30-9401600	16.00
R30-9401800	18.00
R30-9402000	20.00
R30-9402500	25.00

MSP	8	10.10.16	20096
NAME	ISS.	DATE	C/NOTE
APPROVED:		M. PERREN	
CHECKED:		S. BENNETT	
DRAWN:		D. BECK	
CUSTOMER REF.:			
ASSEMBLY DRG:			

## HARWIN

www.harwin.com  
technical@harwin.com

THIS DRAWING AND ANY INFORMATION OR DESCRIPTIVE MATTER SET OUT HEREON ARE CONFIDENTIAL AND COPYRIGHT PROPERTY OF THE HARWIN GROUP AND MUST NOT BE DISCLOSED, LOANED, COPIED OR USED FOR MANUFACTURING, TENDERING OR FOR ANY OTHER PURPOSE WITHOUT THEIR WRITTEN PERMISSION.

**TOLERANCES**

X. = ±1mm  
X.X = ±0.50mm  
X.XX = ±0.10mm  
X.XXX = ±0.01mm  
ANGLES = ±5°  
UNLESS STATED

**MATERIAL:**

30% GLASS-FILLED PBT  
BLACK, UL94V-0

FINISH: CLEAN

S/AREA: mm<sup>2</sup>

**TITLE:**

HEXAGONAL SPACER - 3mm  
SELF-TAPPING

DRAWING NUMBER:

R30-940XX00

SHT  
2 OF 2