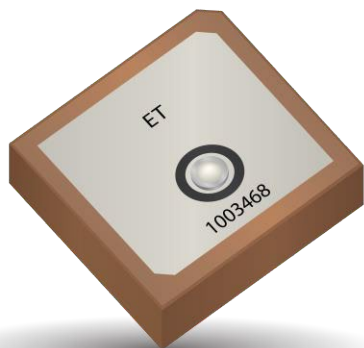


# Part No. 1003468

## Wi-Fi/ BT/ Zigbee Ceramic Patch 2.4 GHz Antenna

**2.4 GHz**

Supports: Wi-Fi applications, Agriculture, Automotive, Bluetooth, Zigbee, WLAN, Smart Home, Healthcare, Digital Signage



### Ceramic Wi-Fi / BT / Patch Antenna

2400 – 2485 MHz

#### KEY BENEFITS

##### Reduced Costs and Time-to-Market

Standard antenna eliminates design fees and cycle time associated with a custom solution; getting products to market faster.

##### Quicker Time-to-Market

By optimizing antenna size, performance and emissions, customer and regulatory specifications are more easily met.

##### Reliability

Products are the latest RoHS version compliant.

#### APPLICATIONS

- Embedded design
- POS, Headsets, Tablets
- Gateway, Access Point
- Handheld
- Telematics
- Tracking
- Healthcare
- M2M, Industrial devices
- Smart Grid
- OBD-II

The Ceramic Patch 1003468 offers all the advantages of a circular polarized 2.4GHz antenna in a small factor, easy to integrate to all the embedded designs requiring high performances and long range

#### Electrical Specifications

Typical characteristics, measured on a 50 x 50 mm PCB ground plane.

Frequency (GHz)	2.400 – 2.485
Peak Gain	3.83 dB
Average Efficiency	74 %
VSWR Match	2:1 max
Polarization	Circular RHCP
Feed Point Impedance	50 Ohms unbalanced
Peak Gain	3.83 dB

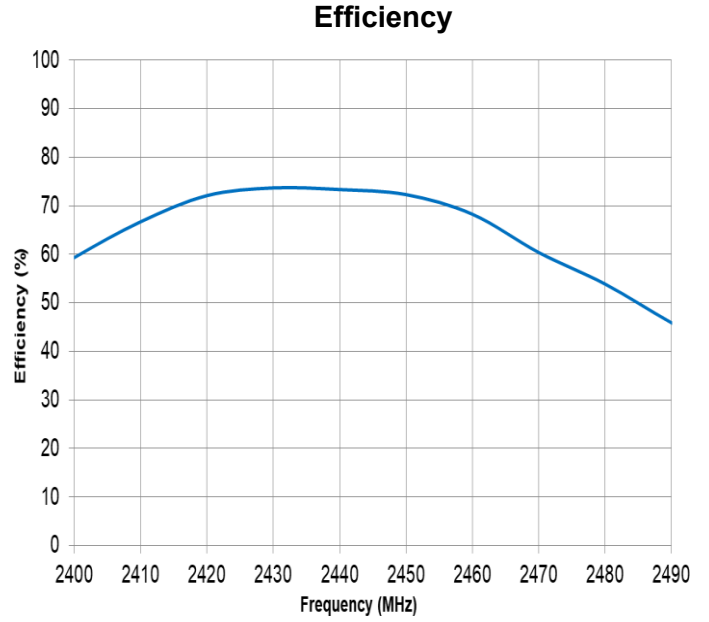
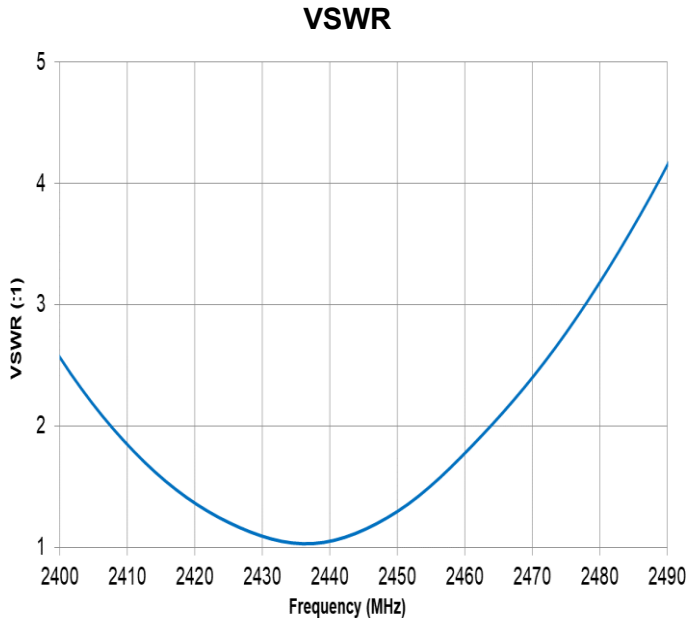
#### Mechanical Specifications & Ordering Part Number

Ordering Part Number	1003468
Size (mm)	18.0 x 18.0 x 4.0
Mounting (mm)	Back adhesive and pin
Weight (grams)	4.8
Packaging	Plastic Tray

2.4 GHz Ceramic Patch Antenna Specifications  
 KYOCERA AVX produces a wide variety of standard and custom antennas to meet user needs.

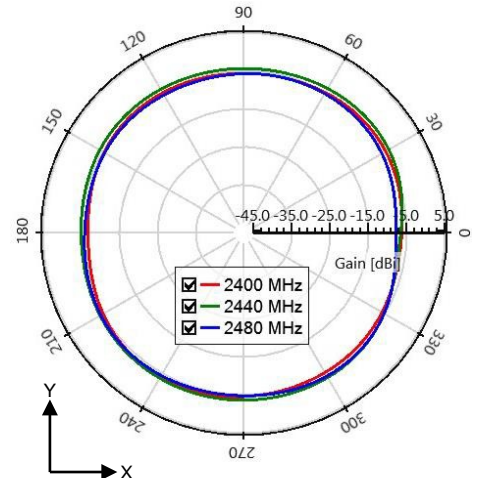
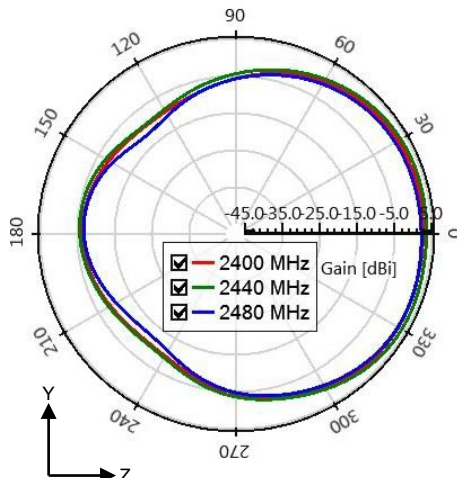
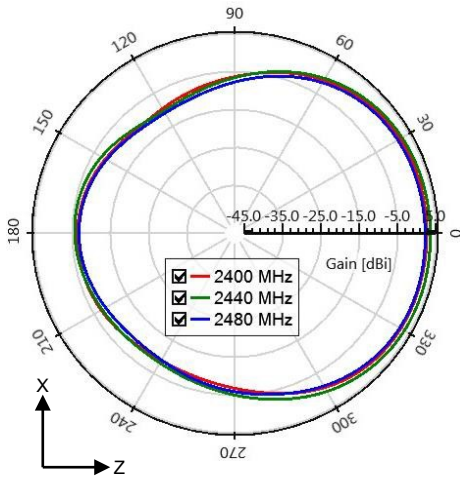
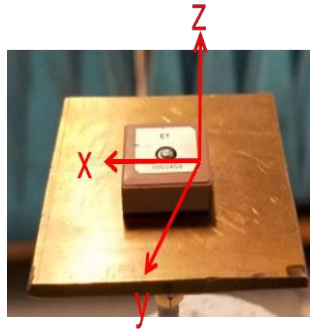
VSWR and Efficiency Plots

Measured on a 50 x 50 mm ground plane



Antenna radiation patterns

Measured on a 50 x 50 mm ground plane

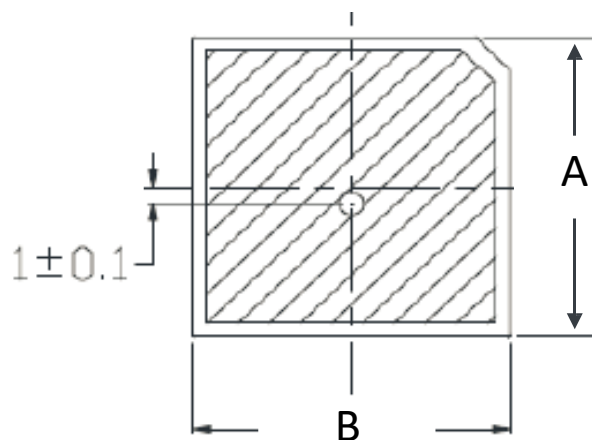


2.4 GHz Ceramic Patch Antenna Specifications  
 KYOCERA AVX produces a wide variety of standard and custom antennas to meet user needs.

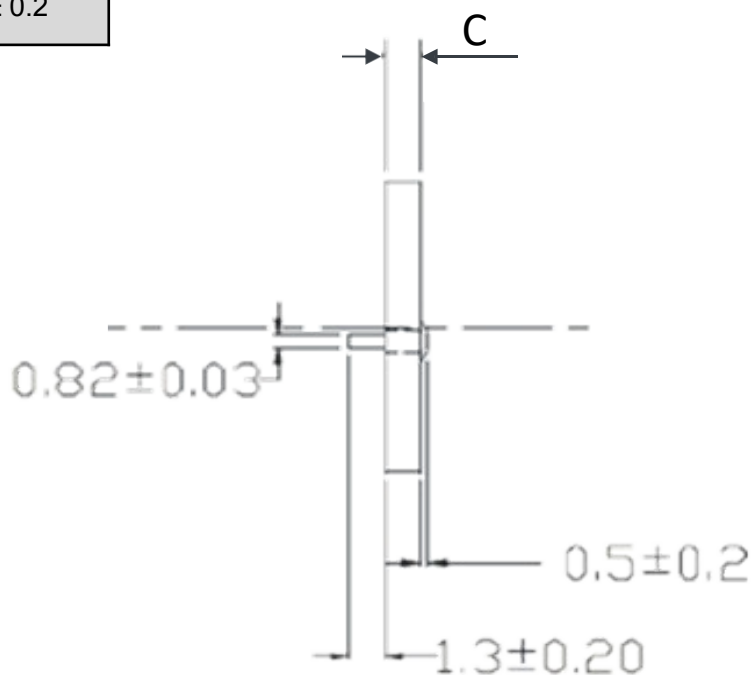
**Mechanical Dimensions**

Typical antenna dimensions, in mm.

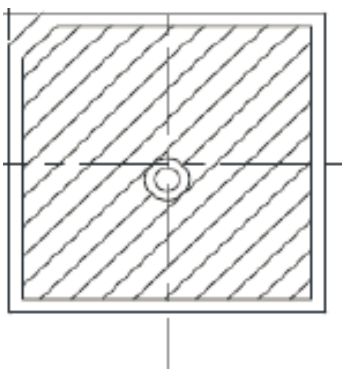
Part Number	A (mm)	B (mm)	C (mm)
1003468	18.0 ± 0.2	18.0 ± 0.2	4.0 ± 0.2



**Top View**



**Side View**



**Bottom View**