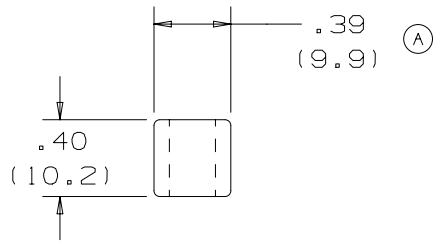
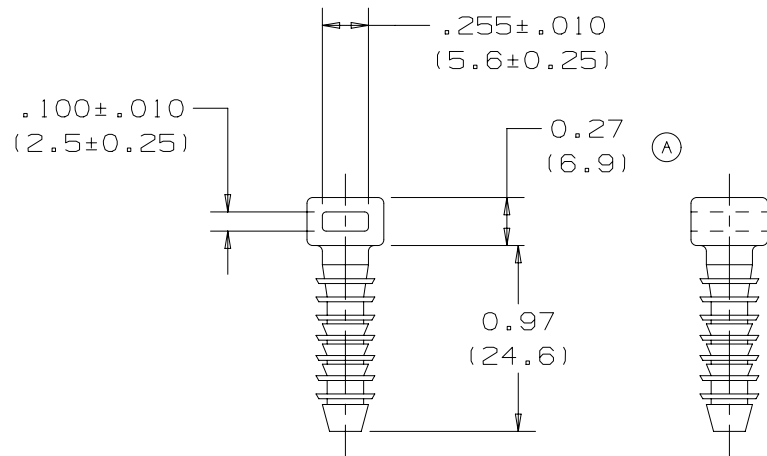


THIS COPY IS PROVIDED ON A RESTRICTED BASIS AND IS NOT TO BE USED IN ANY WAY DETRIMENTAL TO THE INTERESTS OF PANDUIT CORP.



PANDUIT PART NO. *	USED WITH CABLE TIES	HOLE SIZE in (mm)	WEIGHT lbs/ (g) / 100 pc
MPMS25	M, I, S SG100M, SG150I, SG200S	.250 DIA X 1.25 DP (6.4 DIA X 31.8 DP)	.22 (100)
SGMPMS25	SG250S, SG300S, SG370S		



NOTES:

\* 1. SEE CURRENT PRICE SHEET FOR PART NUMBER SUFFIX DESIGNATION FOR PACKAGE SIZE.

02 2. BAG MAY CONTAIN EXTRA PIECES TO COMPENSATE FOR VARIANCE IN THE PACKAGING PROCESS. PANDUIT ASSURES MINIMUM PIECE COUNT AS STATED ON THE BAG.

REV	DATE	BY	CHK	APR	DESCRIPTION	ECN
02	1/25/2021	RVU	JADE	RMHI	ADDED NOTE 2.	GAECN05866
01	9/22/06	TMSA			ADDED PART # SGMPMS25 AND CABLE TIE CROSS SECTIONS.	GB0239JI
R	9/04/02	LGG			INITIAL RELEASE REPLACED G-02025.	GB0239JI

TITLE <b>MASONRY PUSH MOUNT MPMS25, SGMPMS25</b> CUSTOMER DRAWING					
ITEM REVISION NAME G03597HB/02			<b>PANDUIT</b>		
DATASET FILE NAME G03597HB_DC_GB0239JI_02/02					
UNLESS OTHERWISE SPECIFIED, DIMENSIONAL TOLERANCES ARE: IN [ mm ]					
.x ± 0.1 [ 2.5 ]		.xxx ± 0.02 [ 0.5 ]		MATERIAL: WEATHER RESISTANT NYLON COLOR: BLACK	
.xx ± 0.05 [ 1.3 ]		ANGLES ± 5 °		DRAWING NUMBER: GB0239JI	
DRAWN BY LGG			DATE 9/04/02		CHK JADE
SCALE FULL			THIRD ANGLE PROJECTION		
SHT 1 OF 1			SIZE A		

D10100DA/20