

# HITFET

Smart Low Side Power Switch

# BTS3018TC

18 mOhm single channel smart low side power switch for 12V & 24V Application

## Datasheet

Rev. 1.0, 2015-02-11

<b>1</b>	<b>Overview</b> .....	<b>3</b>
<b>2</b>	<b>Block Diagram</b> .....	<b>5</b>
2.1	Terms .....	5
<b>3</b>	<b>Pin Configuration</b> .....	<b>6</b>
3.1	Pin Assignment BTS3018TC .....	6
3.2	Pin Definitions and Functions .....	6
<b>4</b>	<b>General Product Characteristics</b> .....	<b>7</b>
4.1	Absolute Maximum Ratings .....	7
4.2	Functional Range -- some values are links to other values in document .....	8
4.3	Thermal Resistance .....	8
4.3.1	Transient Thermal Impedance (Zth) .....	9
4.4	Package .....	9
<b>5</b>	<b>Input and Power Stage</b> .....	<b>10</b>
5.1	Input Circuit .....	10
5.1.1	Failure Feedback .....	11
5.2	Power stage .....	11
5.2.1	Output On-state Resistance .....	11
5.2.2	Output Timing .....	13
5.3	Characteristics .....	14
<b>6</b>	<b>Protection Functions</b> .....	<b>17</b>
6.1	Thermal Protection .....	17
6.2	Overvoltage Protection .....	19
6.3	Short Circuit Protection .....	20
6.4	Characteristics .....	21
<b>7</b>	<b>Package Outlines BTS3018TC</b> .....	<b>22</b>
<b>8</b>	<b>Revision History</b> .....	<b>23</b>



## 1 Overview

### Features

- Short circuit and over load protection
- Thermal shutdown with latchbehavior
- ESD protection
- Over voltage protection
- Logic level input suitable for 5V and 3.3V
- Analog driving possible
- 12V and 24V usability
- Green Product (RoHS compliant)
- AEC Qualified



**PG-TO263-3-2**

### Description

The BTS3018TC is a single channel low-side MOSFET power switch in PG-TO263-3-2 (D<sup>2</sup>PAK) package providing embedded protective functions.

The device is monolithically integrated with a N channel vertical power FET and embedded protection functions. The BTS3018TC is automotive qualified and can be used in 12V and 24V automotive and industrial applications.

**Table 1 Product Summary**

Output voltage <sup>1)</sup>	$V_{OUT}$	60 V
Maximum Input Voltage	$V_{IN}$	10 V
Maximum On-State resistance at 150°C at 5V input voltage	$R_{DS(ON)}$	44 mΩ
Typical On-State resistance at 25°C and 5V input voltage	$R_{DS(ON)}$	18 mΩ
Nominal load current	$I_{L(NOM)}$	6.0 A
Minimum current limitation level at 85°C and 10V input voltage	$I_{L(LIM)_85}$	30.0 A

1) Active clamped

### Protective Functions

- Electrostatic discharge protection (ESD)
- Active clamp over voltage protection
- Thermal shutdown with latching behavior
- Over load and Short circuit protection
- Current limitation

Type	Package	Marking
BTS3018TC	PG-TO263-3-2	3018TC

**Analog Fault Information**

- Thermal shutdown
- Short to Battery
- Overload

**Applications**

- Designed for inductive and lamp loads in automotive and industrial applications.
- 12V and 24V applications
- All types of resistive, inductive and capacitive loads
- Replaces discrete circuits

**Detailed Description**

The device is able to switch all kind of resistive, inductive and capacitive loads, limited by  $E_{AS}$  and maximum current capabilities.

The BTS3018TC offers ESD protection on the IN Pin which refers to the Source pin (Ground).

The overtemperature protection prevents the device from overheating due to overload and/or bad cooling conditions. The temperature information is given by a temperature sensor in the power MOSFET. During thermal shutdown the device sinks an increased input current at the IN pin to feedback the fault condition.

The BTS3018TC has a thermal-latch function. The device will turn off and stay off, even after the measured temperature has dropped below the thermal hysteresis. After cooling down the device can be switched on again by toggling the IN pin.

The over voltage protection gets activated during load dump or inductive turn off conditions. The power MOSFET is limiting the drain-source voltage, if it rises above the  $V_{OUT(CLAMP)}$ .

## 2 Block Diagram

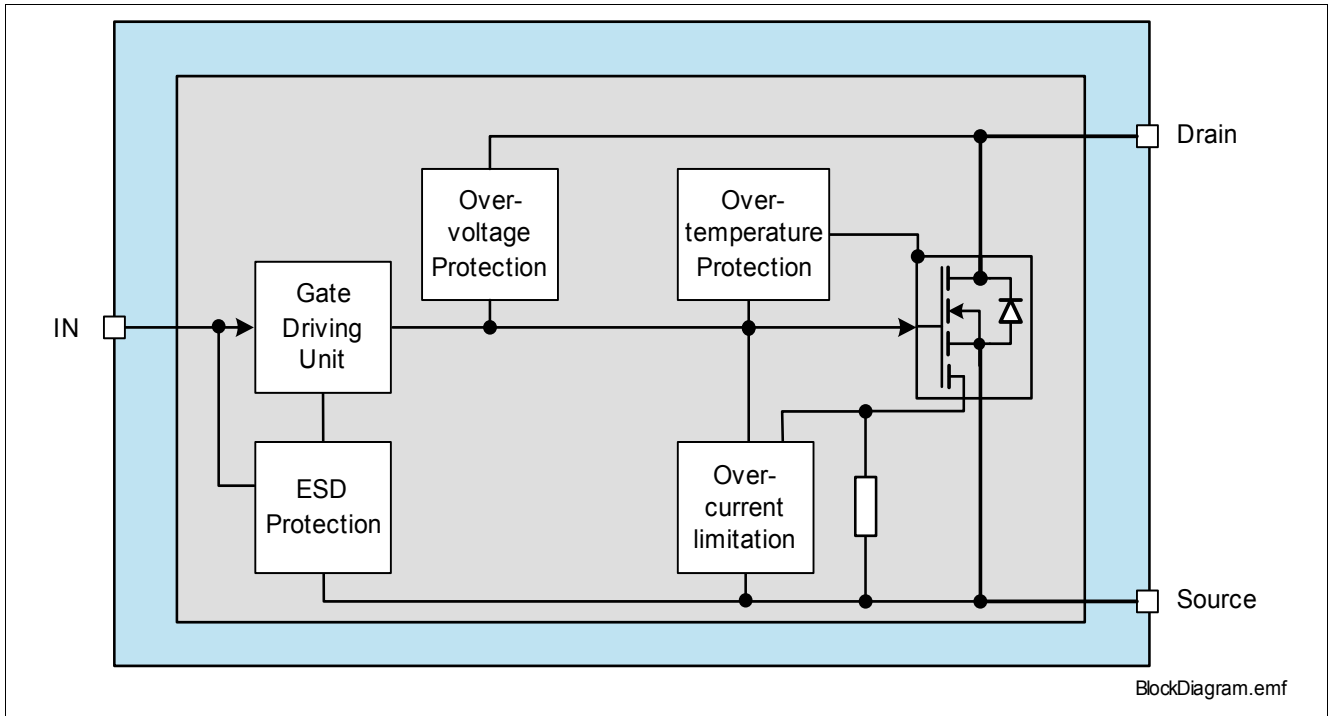


Figure 1 Block Diagram

### 2.1 Terms

Figure 2 shows all external terms used in this data sheet.

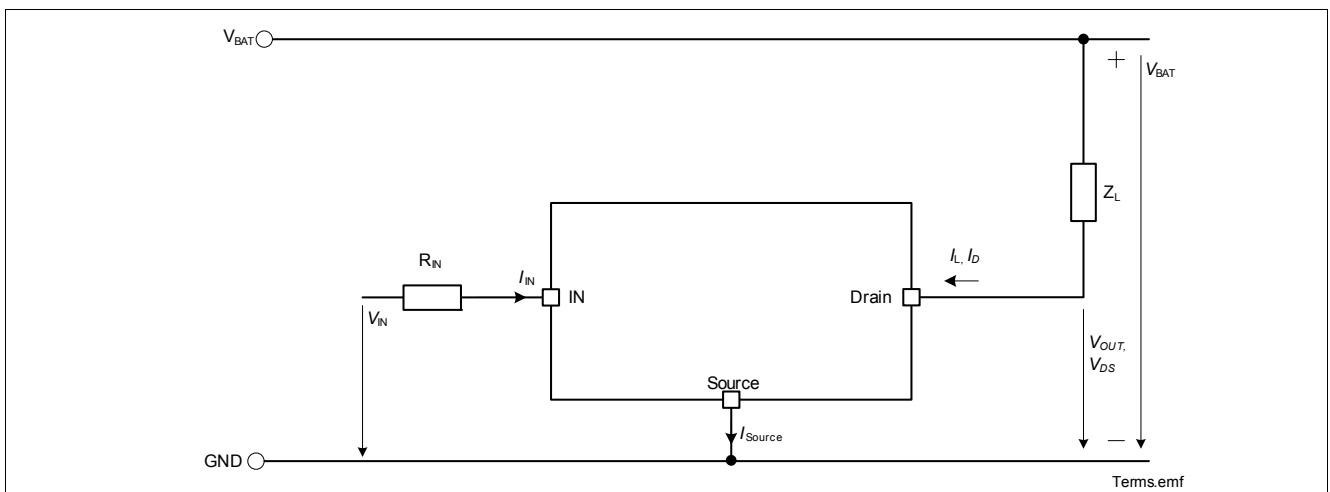


Figure 2 Naming of electrical parameters

### 3 Pin Configuration

#### 3.1 Pin Assignment BTS3018TC

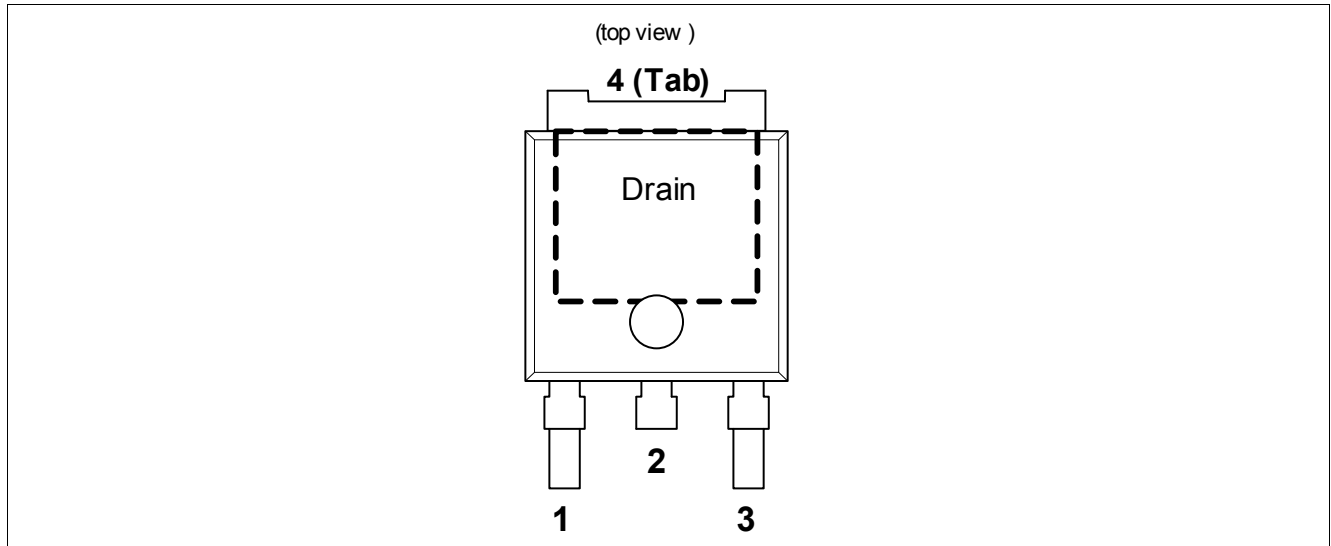


Figure 3 Pin Configuration PG-TO263-3-2

#### 3.2 Pin Definitions and Functions

Table 2 Pin definition and functions

Pin	Symbol	Function
1	IN	Input and fault feedback
2,4	Drain	Load connection for power DMOS
3	Source	Ground, Source of power DMOS

## 4 General Product Characteristics

### 4.1 Absolute Maximum Ratings

#### Absolute Maximum Ratings<sup>1)</sup>

$T_J = -40\text{ °C}$  to  $+150\text{ °C}$ ; all voltages with respect to ground, positive current flowing into pin  
(unless otherwise specified)

**Table 3 Absolute maximum ratings**

Pos.	Parameter	Symbol	Limit Values		Unit	Test Conditions
			Min.	Max.		
<b>Voltages</b>						
4.1.1	Output voltage	$V_{OUT}$	–	60	V	<sup>2)</sup> $V_{IN} = 0\text{ V}$ , $I_L = 10\text{ mA}$
4.1.2	Output voltage for short circuit protection	$V_{OUT(SC)}$	–	36	V	$V_{IN} = 5\text{ V}$
4.1.3	Input Current	$I_{IN}$	self limited		mA	$-0.2\text{ V} < V_{IN} < 10\text{ V}$
			-2	2	mA	$V_{IN} < -0.2\text{ V}$ or $V_{IN} > 10\text{ V}$
4.1.4	Load Current	$I_L$	–	30	A	<sup>3)</sup>
<b>Energies</b>						
4.1.5	Unclamped single pulse inductive energy single pulse	$E_{AS}$	–	1.9	J	$I_{L(0)} = 7.0\text{ A}$ $V_{BAT} = 28\text{ V}$ ; $T_{J(0)} = 150\text{ °C}$
<b>Temperatures</b>						
4.1.6	Operating temperature	$T_J$	-40	+150	°C	–
4.1.7	Storage temperature	$T_{STG}$	-55	+150	°C	–
<b>ESD Susceptibility</b>						
4.1.8	ESD Resistivity	$V_{ESD}$	-2	2	kV	HBM <sup>4)</sup>

1) Not subject to production test, specified by design.

2) Active clamped.

3) Active limited

4) ESD susceptibility, "JEDEC HBM" according to ANSI/ESDA/JEDEC JS001

*Note: Stresses above the ones listed here may cause permanent damage to the device. Exposure to absolute maximum rating conditions for extended periods may affect device reliability.*

*Note: Integrated protection functions are designed to prevent IC destruction under fault conditions described in the data sheet. Fault conditions are considered as "outside" normal operating range. Protection functions are not designed for continuous repetitive operation*

## 4.2 Functional Range

**Table 4 Functional range**

Pos.	Parameter	Symbol	Limit Values		Unit	Conditions
			Min.	Max.		
4.2.1	Input pin voltage (device ON)	$V_{IN}$	2	10	V	–
4.2.2	Output voltage	$V_{OUT}$	2.5	36	V	–
4.2.3	Input pin current consumption	$I_{IN(NOR)}$	–	30	$\mu A$	normal operation
4.2.4	Input pin feedback current	$I_{IN(FAULT)}$	–	1400	$\mu A$	fault indication

Note: Within the functional range the IC operates as described in the circuit description. The electrical characteristics are specified within the conditions given in the related electrical characteristics table.

## 4.3 Thermal Resistance

Note: This thermal data was generated in accordance with JEDEC JESD51 standards.

For more information, go to [www.jedec.org](http://www.jedec.org).

**Table 5 Thermal resistance**

Pos.	Parameter	Symbol	Limit Values			Unit	Conditions
			Min.	Typ.	Max.		
4.3.5	Junction to Case	$R_{thJC}$	–	–	0.7	K/W	1) 2)
4.3.6	Junction to Ambient (2s2p)	$R_{thJA(2s2p)}$	–	25	–	K/W	1) 3)
4.3.7	Junction to Ambient (1s0p+600mm <sup>2</sup> Cu)	$R_{thJA(1s0p)}$	–	45	–	K/W	1) 4)

- 1) Not subject to production test, specified by design
- 2) Specified  $R_{thJC}$  value is simulated at natural convection on a cold plate setup (all pins are fixed to ambient temperature).  $T_a = 25\text{ }^\circ\text{C}$ . Device is loaded with 1W power.
- 3) Specified  $R_{thJA}$  value is according to Jedec JESD51-2,-7 at natural convection on FR4 2s2p board; The product (Chip+Package) was simulated on a 76.2 x 114.3 x 1.5 mm board with 2 inner copper layers (2 x 70  $\mu\text{m}$  Cu, 2 x 35  $\mu\text{m}$  Cu).  $T_a = 25\text{ }^\circ\text{C}$ , Device is loaded with 1W power.
- 4) Specified  $R_{thJA}$  value is according to Jedec JESD51-2,-3 at natural convection on FR4 1s0p board; The product (Chip+Package) was simulated on a 76.2 x 114.3 x 1.5 mm board with additional heatspreading copper area of 600mm<sup>2</sup> and 70  $\mu\text{m}$  thickness.  $T_a = 25\text{ }^\circ\text{C}$ , Device is loaded with 1W power.



### 4.3.1 Transient Thermal Impedance

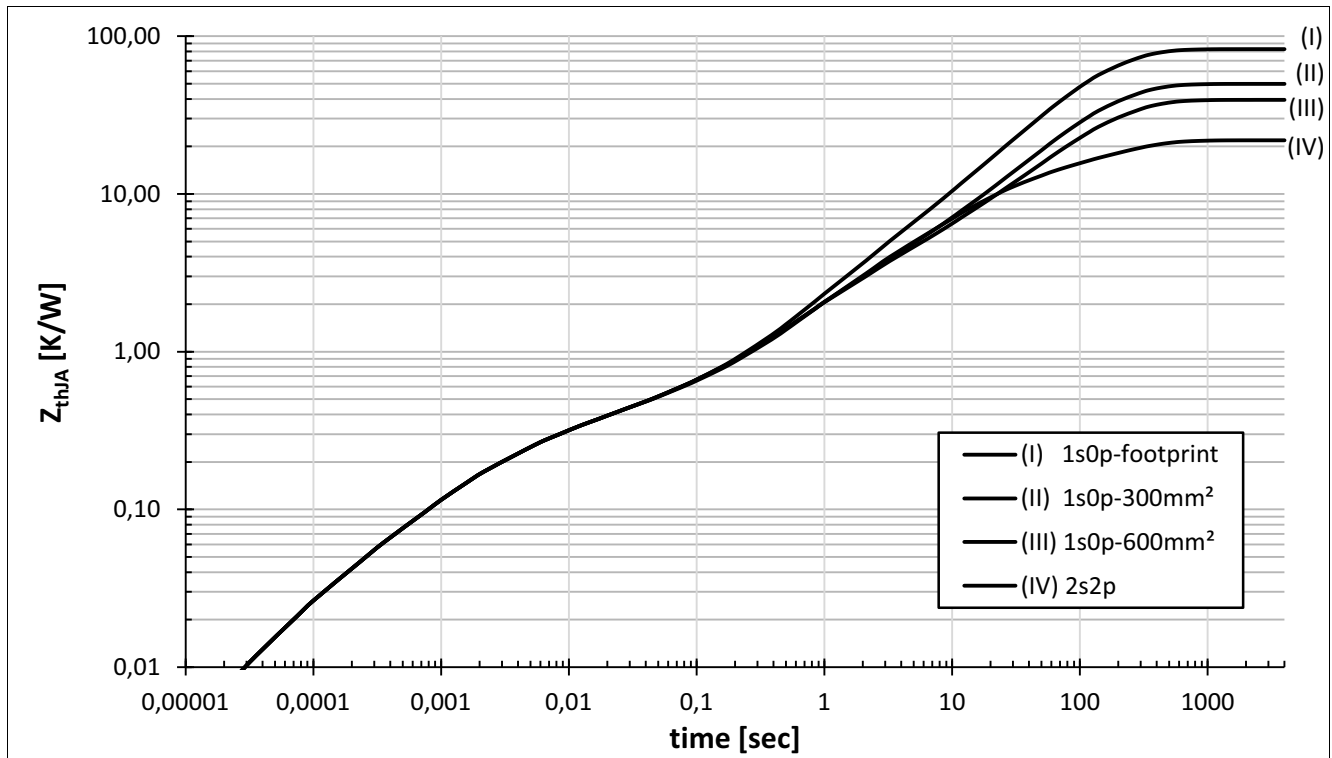


Figure 4 Typical transient thermal impedance  $Z_{thJA} = f(t_p)$ ,  $T_a = 25\text{ °C}$   
Value is according to Jedec JESD51-3,-5,-7 at natural convection on FR4 2s2p board;

## 4.4 Package

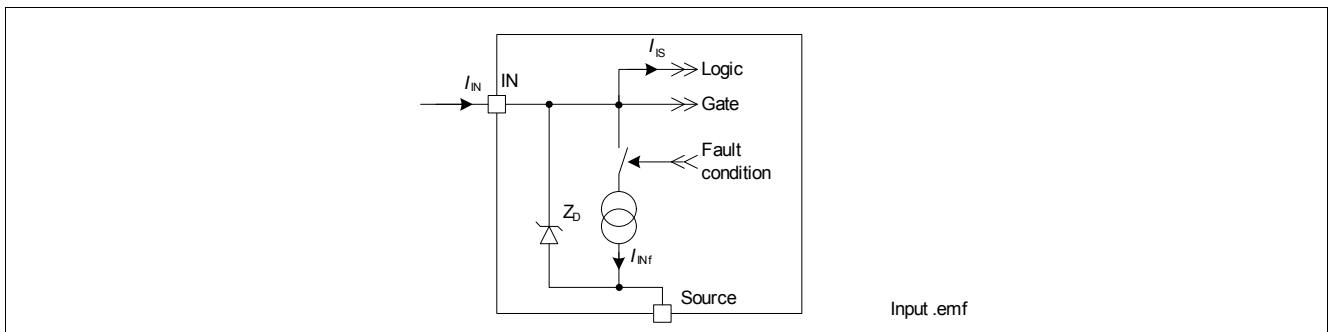
Table 6 .Package

Pos.	Parameter	Value	Test Conditions
4.4.1	Moisture Sensitivity Level JESD20-D1	MSL1	–

## 5 Input and Power Stage

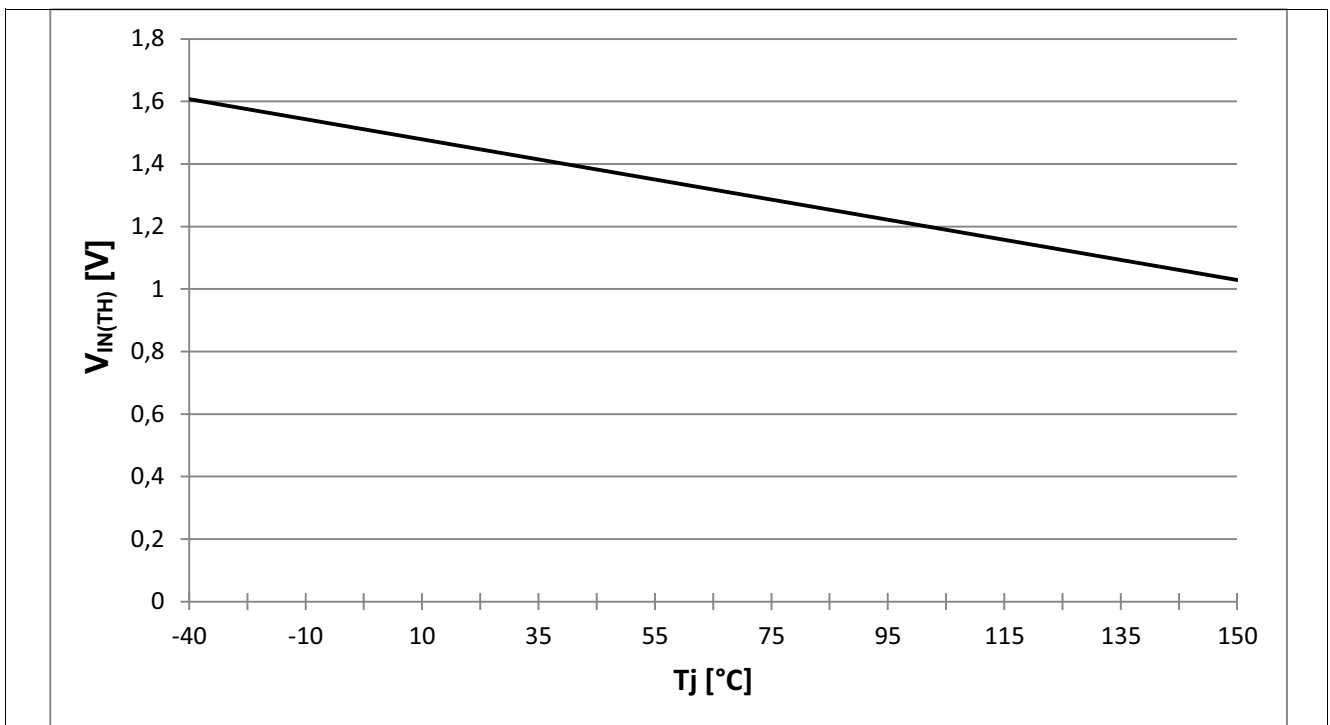
### 5.1 Input Circuit

**Figure 5** shows the input circuit of the BTS3018TC. The Zener Diode  $Z_D$  protects the input circuit against ESD pulses. The internal circuitry is powered via the input pin. During normal operation the Input is connected to the Gate of the power MOSFET. During fault condition the device sinks the current  $I_{IN(FAULT)}$  to give the fault information back to the driving circuit. The current handling capability of the driving circuit does not influence the device behavior as long as the supply current  $I_{IN}$  is supplied.



**Figure 5** Input Circuit

**Figure 6** shows the typical input threshold voltage of the BTS3018TC.



**Figure 6** Typical Input Threshold Voltage  $V_{IN(TH)} = f(T_J)$ ;  $I_L = 4.8\text{mA}$ ,  $V_{OUT} = 13.5\text{V}$

Figure 7 shows the typical transfer characteristic of BTS3018TC

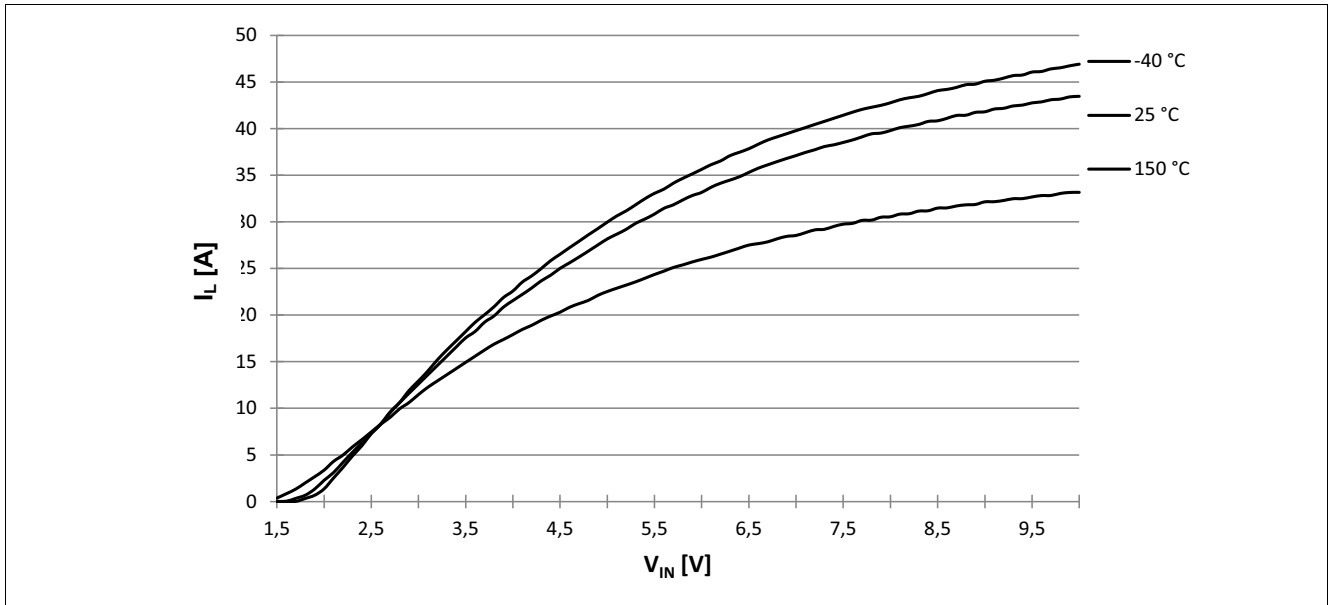


Figure 7 Typical Transfer Characteristic  $I_L = f(V_{IN})$ ;  $V_{OUT} = 13.5 \text{ V}$ ,  $T_{J(0)} = 25 \text{ °C}$

### 5.1.1 Failure Feedback

During failure condition the BTS3018TC sinks the increased current  $I_{IN(FAULT)}$ .

## 5.2 Power stage

### 5.2.1 Output On-state Resistance

The on-state resistance depends on the junction temperature  $T_J$  and on the applied input voltage. The following Figures show this dependencies for the typical on-state resistance  $R_{DS(ON)}$ .

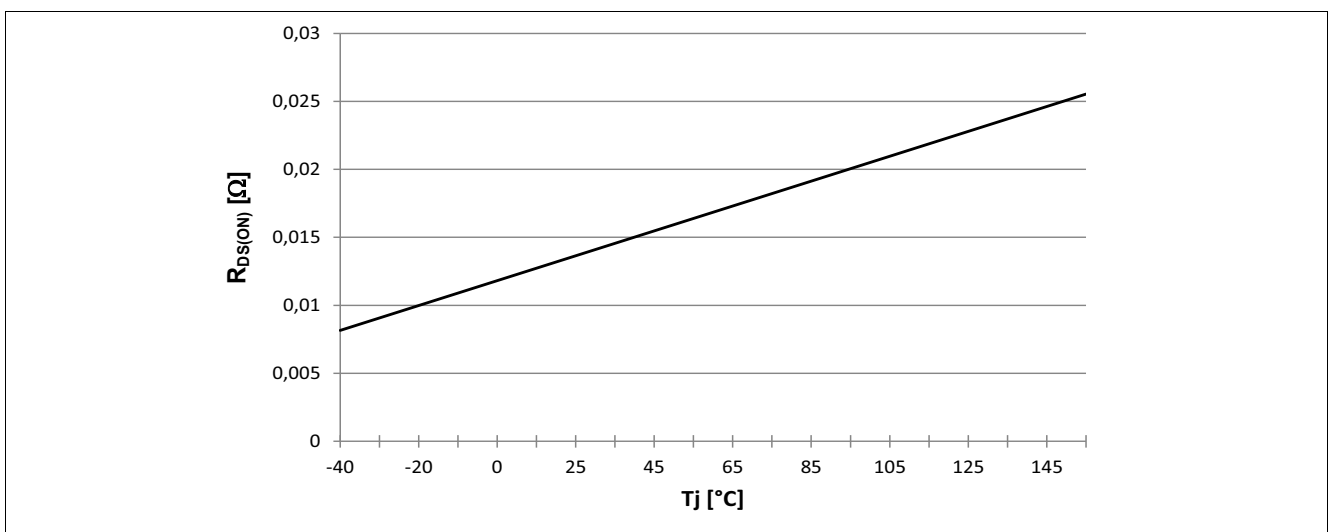


Figure 8 Typical On-State Resistance,  $R_{DS(ON)} = f(T_J)$ ,  $V_{IN} = 10 \text{ V}$

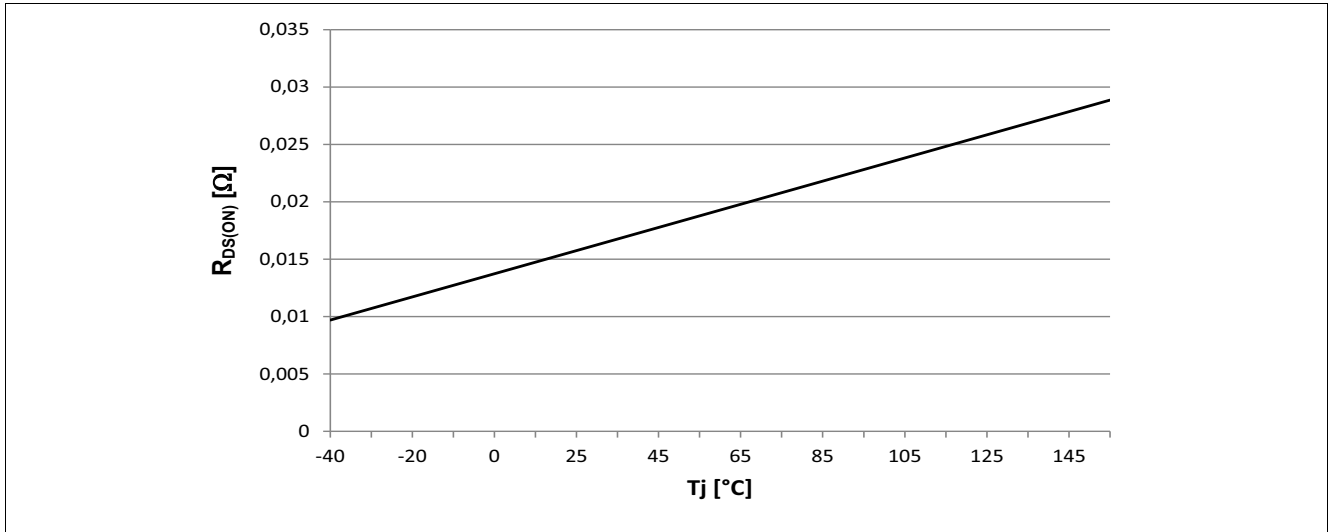


Figure 9 Typical On-State Resistance,  $R_{DS(ON)} = f(T_J)$ ,  $V_{IN} = 5\text{ V}$

### 5.2.2 Output Timing

A voltage signal at the input pin above the threshold voltage causes the power MOSFET to switch on.

Figure 10 shows the timing definition.

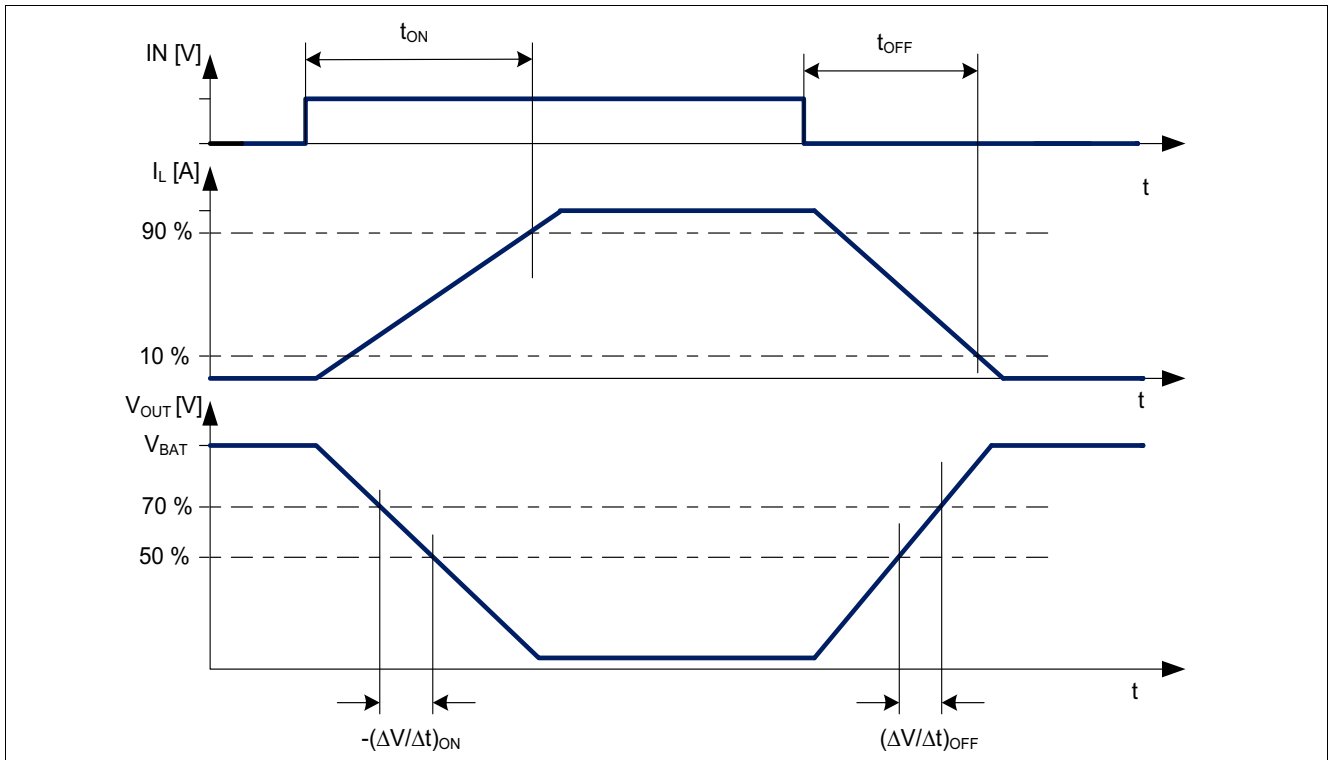


Figure 10 Definition of Power Output Timing for Resistive Load

### 5.3 Characteristics

Note: Characteristics show the deviation of parameter at given input voltage and junction temperature. Typical values show the typical parameters expected from manufacturing.

All voltages with respect to Ground Pin unless otherwise stated.

**Table 7 Electrical Characteristics: Input and Power Stage**

$T_J = -40\text{ °C to }+150\text{ °C}$ ,  $V_{BAT} = 8.0\text{ V to }36\text{ V}$ , all voltages with respect to ground, positive current flowing into pin (unless otherwise specified)

Pos.	Parameter	Symbol	Limit Values			Unit	Test Conditions
			Min.	Typ.	Max.		
<b>Input</b>							
5.3.1	Input pin current consumption	$I_{IN(NOR)}$	–	10	30	$\mu\text{A}$	$V_{IN} = 10\text{ V}$
5.3.2	Input current protection mode	$I_{IN(FAULT)}$	–	600	1400	$\mu\text{A}$	$V_{IN} = 10\text{ V};$ $T_J = 150\text{ °C}$
5.3.3	Input threshold voltage	$V_{IN(TH)}$	–	1.5	–	V	$I_L = 4.8\text{ mA}$ $T_J = 25\text{ °C};$
			0.8	1.5	2		$I_L = 4.8\text{ mA}$ $T_J = -40\text{ °C to }+150\text{ °C}$
<b>Power Stage</b>							
5.3.4	On-State Resistance	$R_{DS(ON)}$	–	14	–	$\text{m}\Omega$	$T_J = 25\text{ °C};$ $V_{IN} = 10\text{ V};$ $I_L = 6\text{ A}$
			–	25	36	$\text{m}\Omega$	$T_J = 150\text{ °C};$ $V_{IN} = 10\text{ V};$ $I_L = 6\text{ A}$
			–	18	–	$\text{m}\Omega$	$T_J = 25\text{ °C};$ $V_{IN} = 5\text{ V};$ $I_L = 6\text{ A}$
			–	30	44	$\text{m}\Omega$	$T_J = 150\text{ °C};$ $V_{IN} = 5\text{ V};$ $I_L = 6\text{ A}$
5.3.5	Nominal load current	$I_{L(NOM)}$	5.5	6	–	A	<sup>1)</sup> $T_J < 150\text{ °C};$ $T_A = 105\text{ °C};$ $V_{IN} = 5\text{ V};$ $V_{OUT} = 0.5\text{ V}$
5.3.6	Zero input voltage drain current	$I_{DSS\_85}$	–	3	10	$\mu\text{A}$	$V_{OUT} = 36\text{ V};$ $V_{IN} = 0\text{ V};$ $T_J = -40\text{ °C to }85\text{ °C}$
		$I_{DSS\_150}$	–	10	32	$\mu\text{A}$	$V_{OUT} = 36\text{ V};$ $V_{IN} = 0\text{ V};$ $T_J = 150\text{ °C}$

**Table 7 Electrical Characteristics: Input and Power Stage (cont'd)**
 $T_J = -40\text{ °C to }+150\text{ °C}$ ,  $V_{BAT} = 8.0\text{ V to }36\text{ V}$ , all voltages with respect to ground, positive current flowing into pin (unless otherwise specified)

Pos.	Parameter	Symbol	Limit Values			Unit	Test Conditions
			Min.	Typ.	Max.		
<b>Switching</b> (see <a href="#">Figure 10</a> for definition details)							
5.3.7	Turn-on time	$t_{ON}$	–	40	100	$\mu\text{s}$	$V_{BAT}=13.5\text{V}$ , $R_L=2.2\Omega$ , $V_{IN}=5\text{V}$
			–	20	–		$V_{BAT}=13.5\text{V}$ , $R_L=2.2\Omega$ , $V_{IN}=10\text{V}$
5.3.8	Turn-off time	$t_{OFF}$	–	60	160	$\mu\text{s}$	$V_{BAT}=13.5\text{V}$ , $R_L=2.2\Omega$ , $V_{IN}=5\text{V}$
			–	80	–		$V_{BAT}=13.5\text{V}$ , $R_L=2.2\Omega$ , $V_{IN}=10\text{V}$
5.3.9	Slew rate on	$-(\Delta V/\Delta t)_{ON}$	–	0.7	2.0	$\text{V}/\mu\text{s}$	$V_{BAT}=13.5\text{V}$ , $R_L=2.2\Omega$ , $V_{IN}=5\text{V}$
			–	1.2	–		$V_{BAT}=13.5\text{V}$ , $R_L=2.2\Omega$ , $V_{IN}=10\text{V}$
5.3.10	Slew rate off	$-(\Delta V/\Delta t)_{OFF}$	–	0.9	1.5	$\text{V}/\mu\text{s}$	$V_{BAT}=13.5\text{V}$ , $R_L=2.2\Omega$ , $V_{IN}=5\text{V}$
			–	0.9	–		$V_{BAT}=13.5\text{V}$ , $R_L=2.2\Omega$ , $V_{IN}=10\text{V}$
<b>Inverse Diode</b>							
5.3.11	Reverse diode forward voltage	$-V_{DS}$	–	-1.0	-1.5	V	$I_D = -51\text{A}$ $V_{IN} = 0\text{V}$

1) Not subject to production test, calculated by  $R_{thJA}$  and  $R_{DS(ON)}$ .

## 6 Protection Functions

The device provides embedded protection functions. Integrated protection functions are designed to prevent IC destruction under fault conditions described in the data sheet. Fault conditions are considered as “outside” normal operation.

### 6.1 Thermal Protection

The device is protected against over temperature due to overload and / or bad cooling conditions. To ensure this a temperature sensor located in the Power MOSFET is used.

The BTS3018TC has a thermal-latch function. The device will turn off and stay off, even after the measured temperature has dropped below the thermal hysteresis. After cooling down the device can be switched on again by toggling the IN pin.

The protective switch off can be reset by setting the input pin voltage to low. Then the internal logic is not supplied anymore and the next time the voltage on the IN pin rises above the input threshold voltage, the device will switch on, if the temperature is not above the over temperature threshold.

see [Figure 11](#).

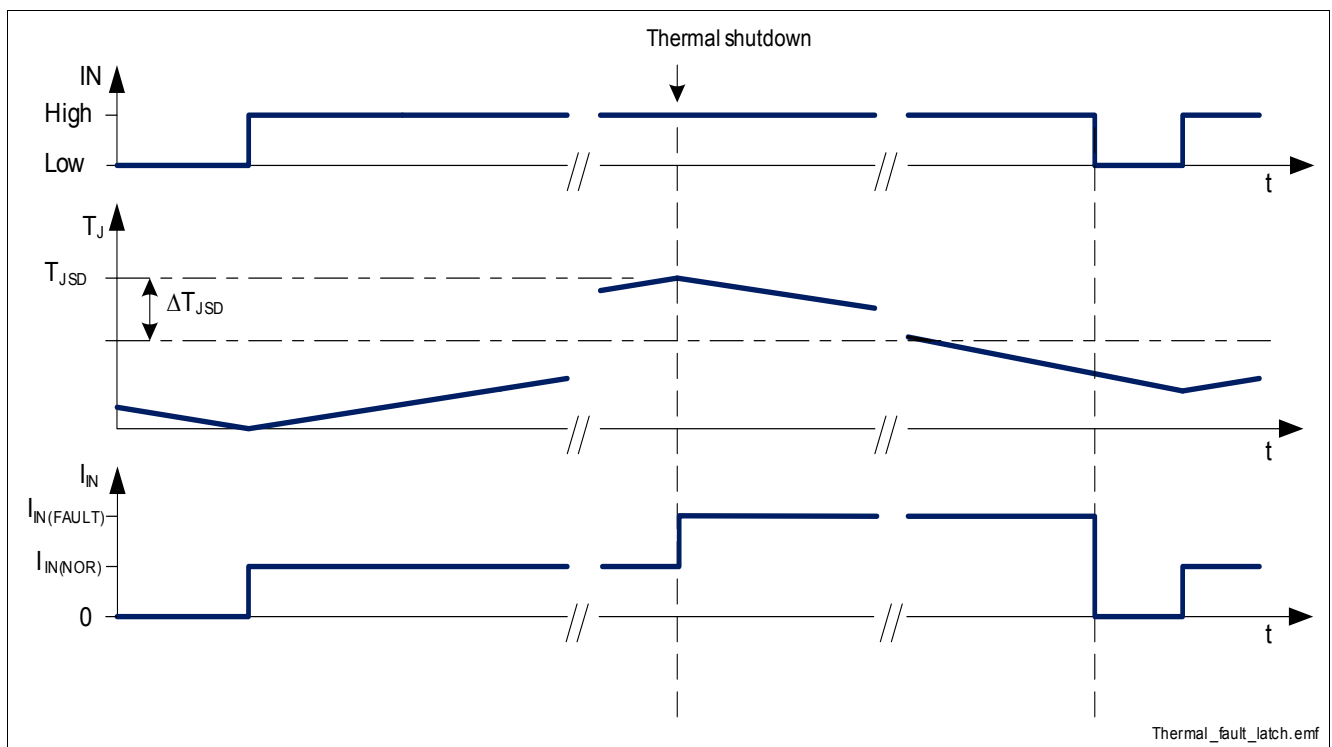
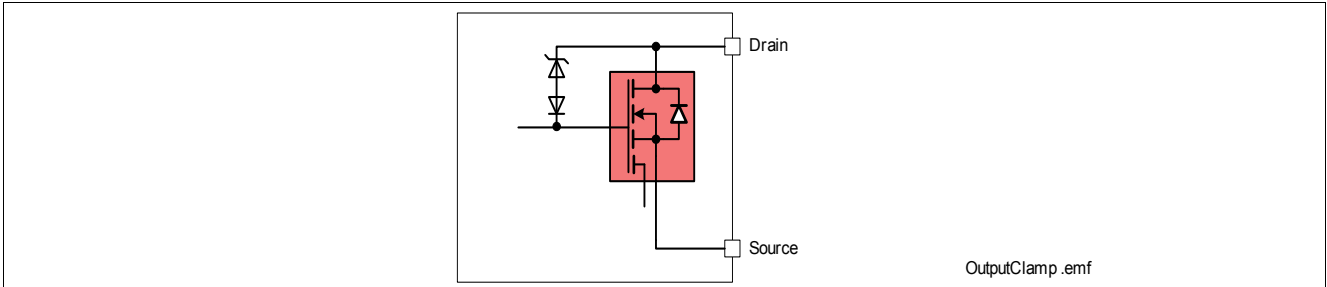


Figure 11 Error Signal via Input Current at Thermal Shutdown



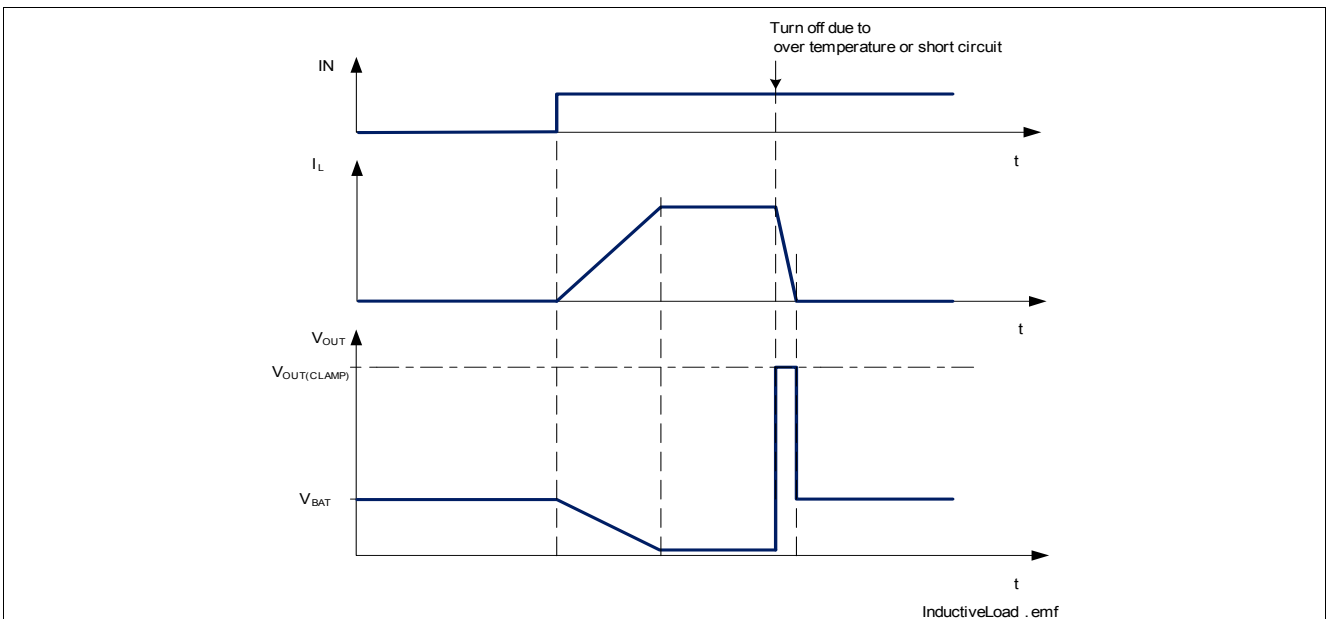
## 6.2 Overvoltage Protection

When switching off inductive loads with low-side switches, the Drain-Source voltage  $V_D$  rises above battery potential, because the inductance intends to continue driving the current.



**Figure 12 Output Clamp**

The BTS3018TC is equipped with a voltage clamp mechanism that prevents the Drain-Source voltage to rise above  $V_{D(Clamp)}$ . See [Figure 12](#) and [Figure 13](#) for more details.



**Figure 13 Switching an Inductance**

While demagnetization of inductive loads, energy has to be dissipated in the BTS3018TC. This energy can be calculated by the following equation:

$$E = V_{L(CLAMP)} \cdot \left[ \frac{V_{BAT} - V_{L(CLAMP)}}{R_L} \cdot \ln \left( 1 - \frac{R_L \cdot I_L}{V_{BAT} - V_{L(CLAMP)}} \right) + I_L \right] \cdot \frac{L}{R_L}$$

Following equation simplifies under assumption of  $R_L = 0$

$$E = \frac{1}{2} L I_L^2 \cdot \left( 1 - \frac{V_{BAT}}{V_{BAT} - V_{L(CLAMP)}} \right)$$

Figure 14 shows the inductance / current combination the BTS3018TC can handle.

For maximum single avalanche energy please also refer to  $E_{AS}$  value in “Energies” on Page 7

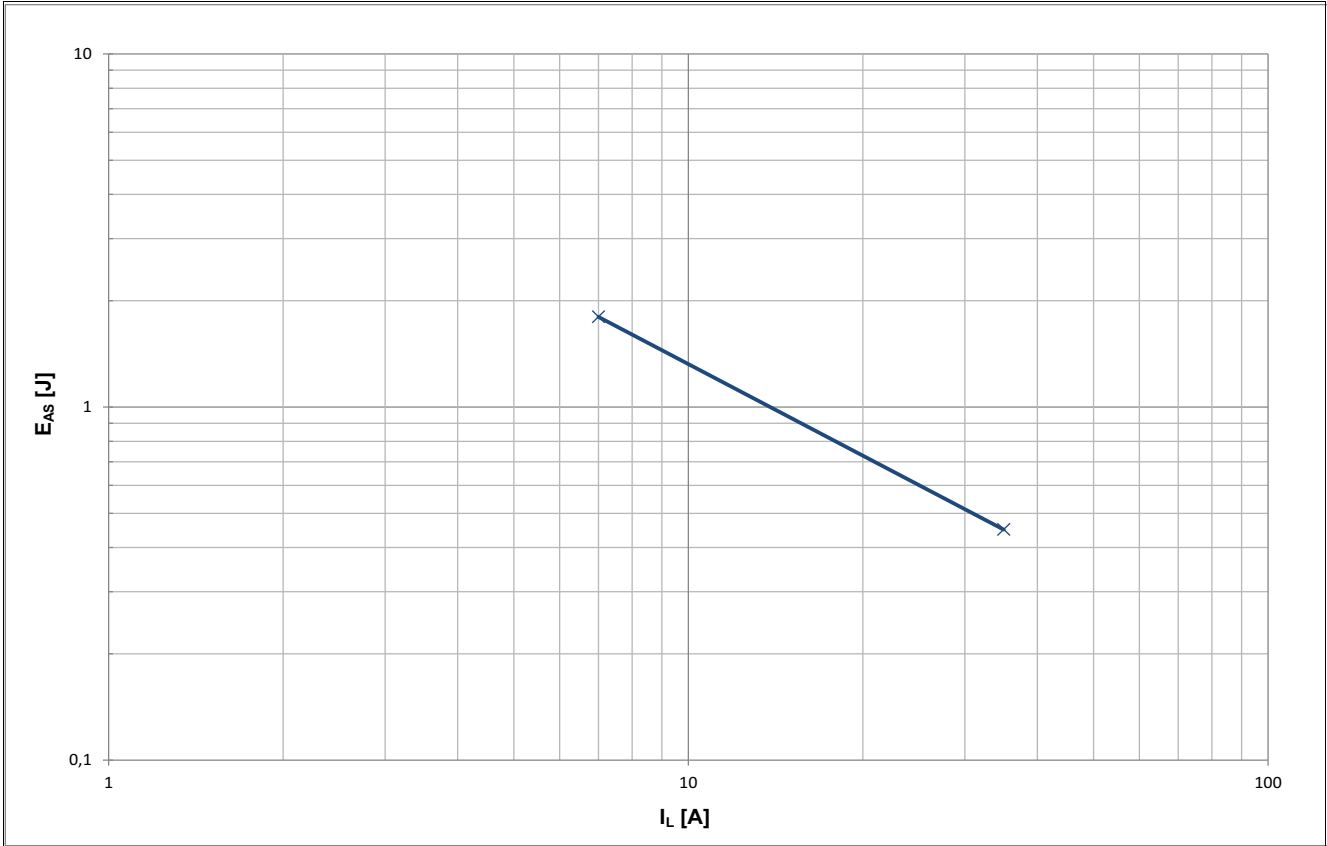


Figure 14 Maximum Energy capability for single pulse  $E_{AS} = f(I_L)$ ,  $T_{j(0)} = 150\text{ °C}$ ,  $V_{BAT} = 28\text{V}$ ,  $V_{IN} = 10\text{V}$

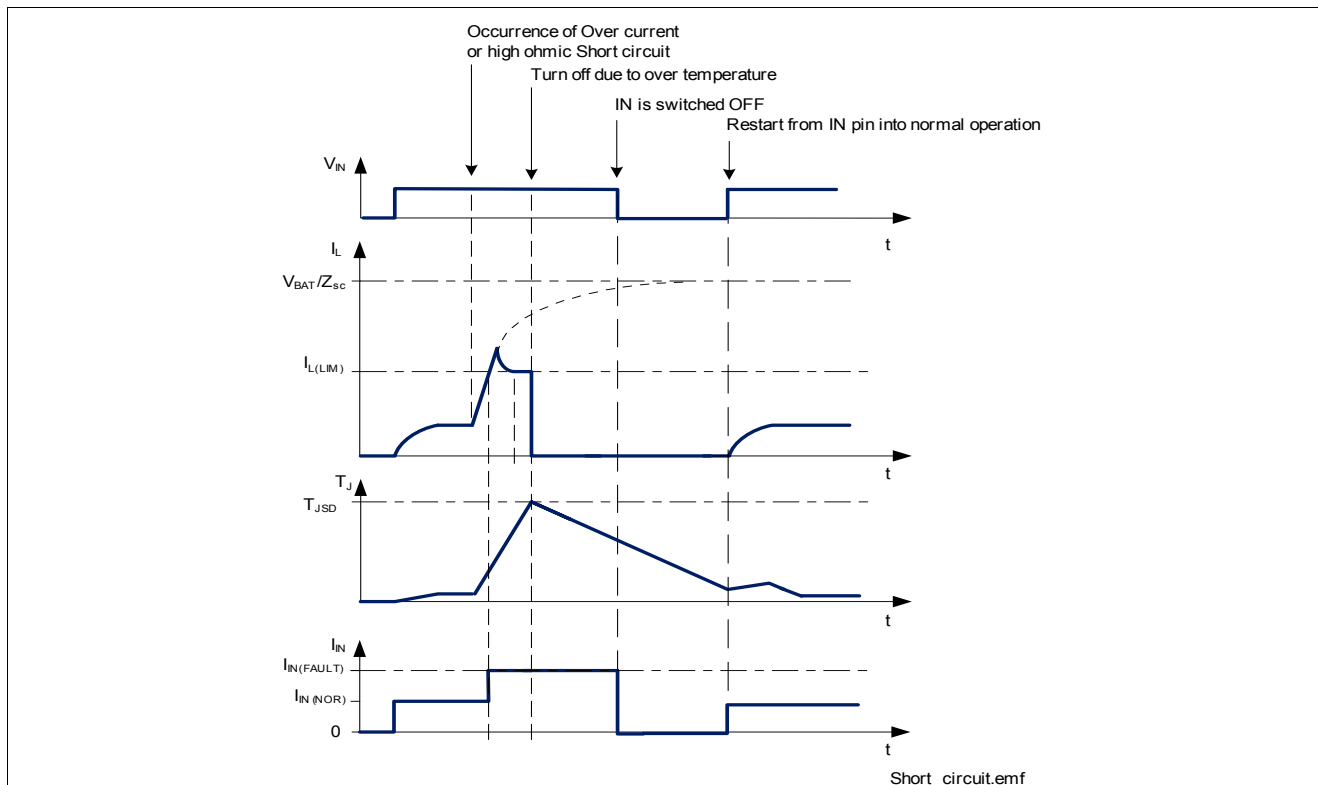
### 6.3 Short Circuit Protection

The condition short circuit is an overload condition of the device. If the current reaches the limitation value of  $I_{L(LIM)}$  the device limits the current and starts heating up. When the thermal shutdown temperature is reached, the device turns off.

The time from the beginning of current limitation until the over temperature switch off depends strongly on the cooling conditions.

The device sinks higher current on IN pin during the protective switch off and switches back ON after the IN toggles.

Figure 15 shows this behavior.


**Figure 15 Short circuit protection via current limitation and over temperature switch off**

### 6.4 Characteristics

Note: Characteristics show the deviation of parameter at given input voltage and junction temperature. Typical values show the typical parameters expected from manufacturing.

**Table 8 Electrical Characteristics: Protection Functions**

Unless otherwise specified:  $T_J = -40\text{ °C to }+150\text{ °C}$ ,  $V_{BAT} = 8.0\text{ V to }36\text{ V}$

Pos.	Parameter	Symbol	Limit Values			Unit	Test Conditions
			Min.	Typ.	Max.		
<b>Thermal Protection</b>							
6.4.1	Thermal shut down junction temperature	$T_{J(SD)}$	150	175 <sup>1)</sup>	–	°C	–
<b>Overvoltage Protection</b>							
6.4.2	Drain clamp voltage	$V_{OUT(CLAMP)}$	60	65	75	V	$V_{IN} = 0\text{ V}; I_L = 10\text{ mA}$
<b>Current limitation</b>							
6.4.3	Current limitation	$I_{L(LIM)_85}$	30	45	60	A	$V_{IN} = 10\text{ V}; T_J = -40\text{ °C to }85\text{ °C}$
		$I_{L(LIM)_150}$	28	45	60	A	$V_{IN} = 10\text{ V}; T_J = 150\text{ °C};$

1) Not subject to production test, specified by design.

## 7 Package Outlines BTS3018TC

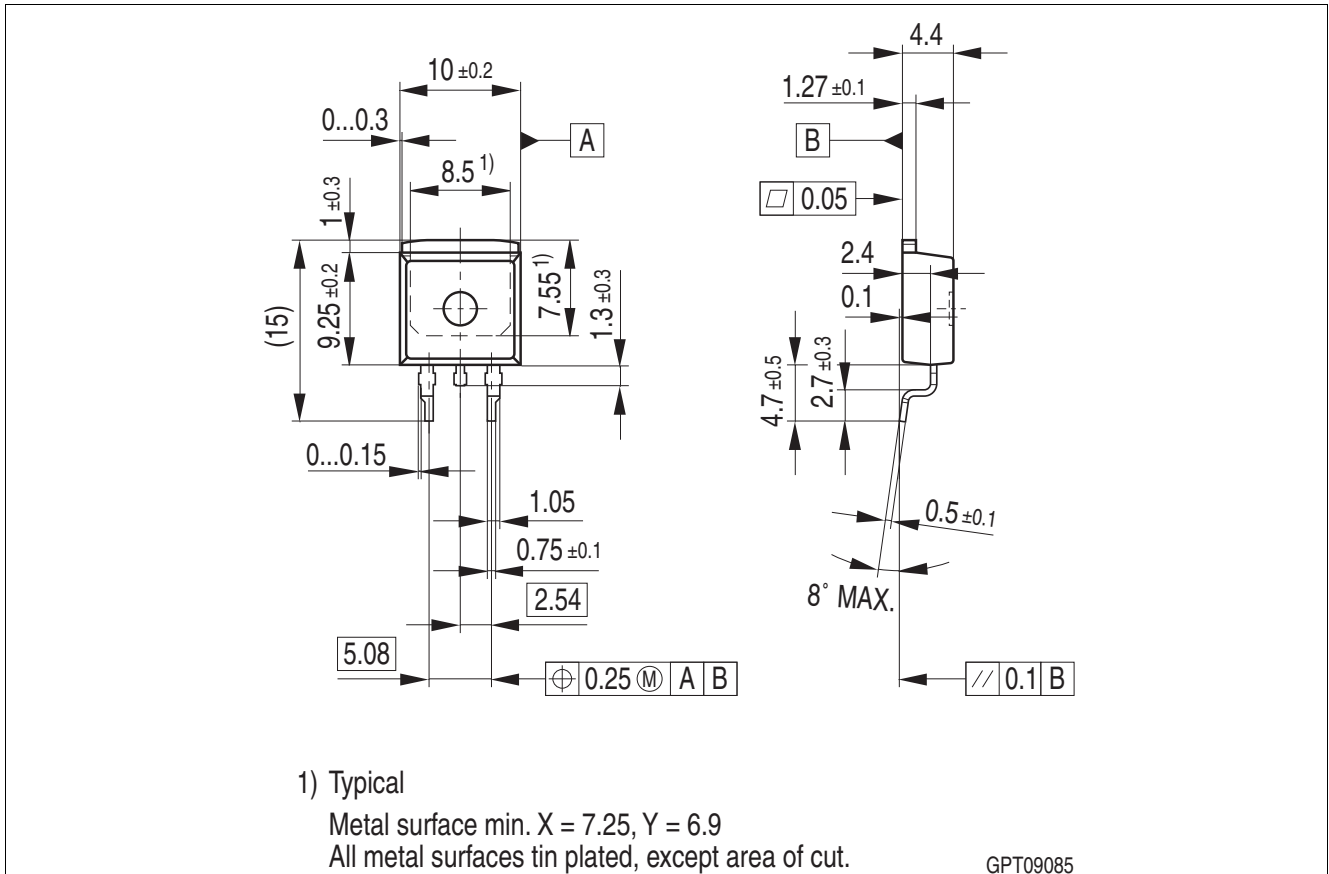


Figure 16 PG-TO263-3-2 (Plastic Dual Small Outline Package - D<sup>2</sup>PAK)

### Green Product (RoHS compliant)

To meet the world-wide customer requirements for environmentally friendly products and to be compliant with government regulations the device is available as a green product. Green products are RoHS-Compliant (i.e Pb-free finish on leads and suitable for Pb-free soldering according to IPC/JEDEC J-STD-020).

## **8 Revision History**

<b>Version</b>	<b>Date</b>	<b>Changes</b>
Rev. 1.0	2015-02-11	Released data sheet

**Edition 2015-02-11**

**Published by  
Infineon Technologies AG  
81726 Munich, Germany**

**© 2015 Infineon Technologies AG  
All Rights Reserved.**

### **Legal Disclaimer**

The information given in this document shall in no event be regarded as a guarantee of conditions or characteristics. With respect to any examples or hints given herein, any typical values stated herein and/or any information regarding the application of the device, Infineon Technologies hereby disclaims any and all warranties and liabilities of any kind, including without limitation, warranties of non-infringement of intellectual property rights of any third party.

### **Information**

For further information on technology, delivery terms and conditions and prices, please contact the nearest Infineon Technologies Office ([www.infineon.com](http://www.infineon.com)).

### **Warnings**

Due to technical requirements, components may contain dangerous substances. For information on the types in question, please contact the nearest Infineon Technologies Office.

Infineon Technologies components may be used in life-support devices or systems only with the express written approval of Infineon Technologies, if a failure of such components can reasonably be expected to cause the failure of that life-support device or system or to affect the safety or effectiveness of that device or system. Life support devices or systems are intended to be implanted in the human body or to support and/or maintain and sustain and/or protect human life. If they fail, it is reasonable to assume that the health of the user or other persons may be endangered.