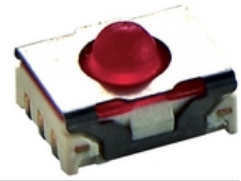
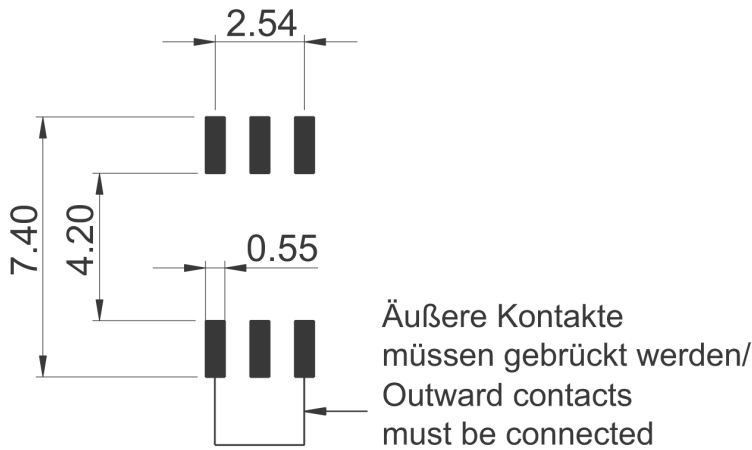


## MICON 5 - Short-travel switch, SMT Standard

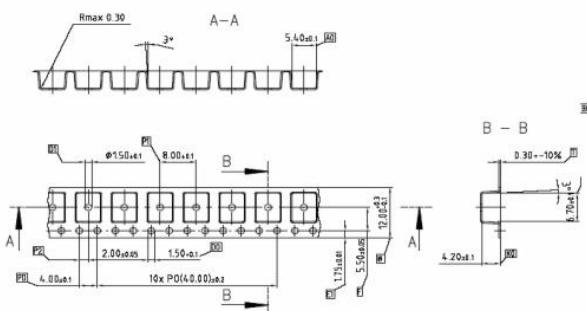
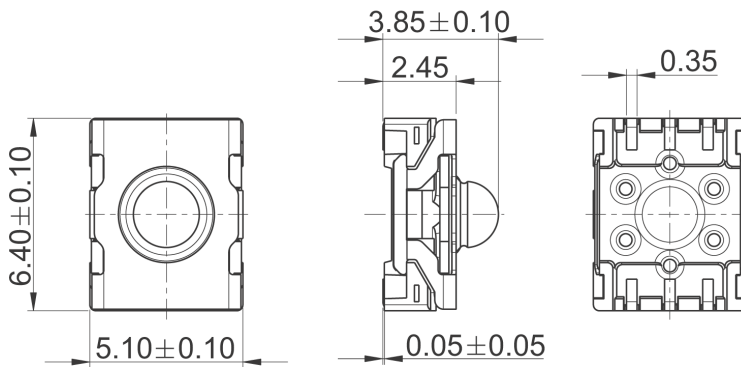
1.14.002.011/0000

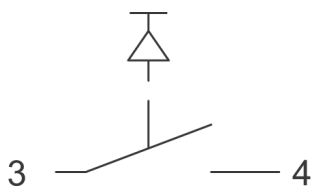
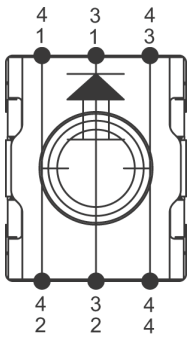


Dimensions	
Length of housing	6.4 mm
Width of housing	5.1 mm
Overall height	3.85 mm
Mechanical design	
Mounting	soldering
Terminals	SMT
Contact system	snap-action contact
Contact arrangement	1 NO
Contact materials	Au
Illumination	no
Mechanical characteristics	
Operating force F1 ( $\pm 20\%$ )	8.0 N
Switching travel S2 ( $\pm 0.15$ mm)	1.1 mm
Electrical characteristics	
Rated voltage min.	0.02 V
Rated voltage max.	35 V
Rated current min.	0.01 mA
Rated current max.	100 mA
Rated power max. (ohmic load)	1 W
Contact resistance when new	? 100 m $\Omega$
Rated voltage resistance AC	250 V
Insulation resistance	10 <sup>9</sup> $\Omega$
Other specifications	
Ambient temp. operating min.	-40 °C
Ambient temp. operating max.	+90 °C
Resistance to environment	IEC 60068-2 -14,-30,-33, -78
Operating life (test force)	250,000 (12 N)
Solder heat resistance / Solderability	DIN EN 60068-2-58
Flammability of materials	UL 94 V1
Packing	tape and reel à 2100 pieces
Produkt type	Y
ROHS compliant	yes
REACH compliant	yes



SMT Standard





Schaltzeichen  
nach IEC  
617

